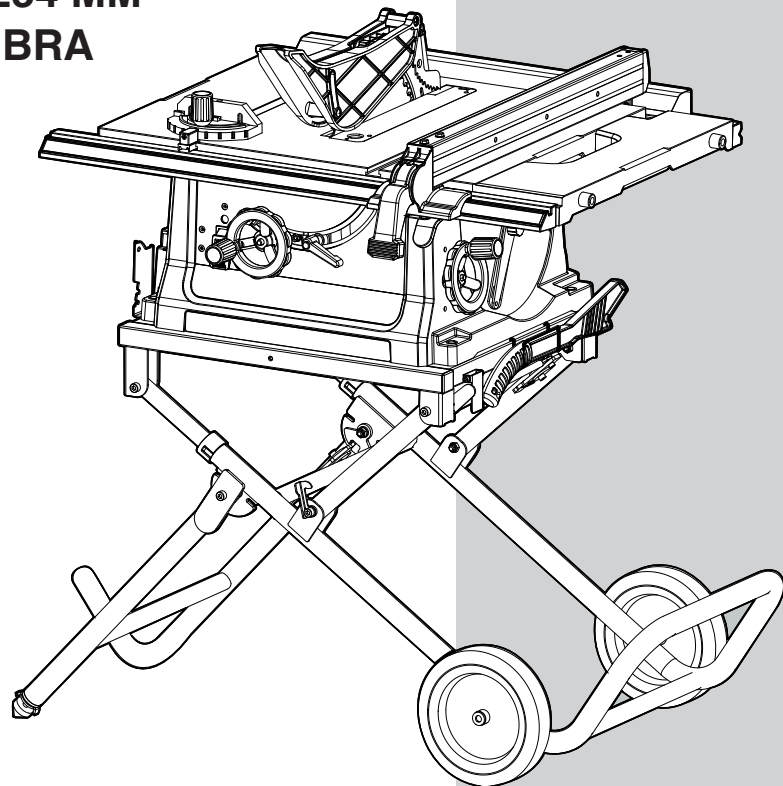


PORTER CABLE®

**10 IN. (254 MM)
JOBSITE TABLE SAW**

**SCIE CIRCULAIRE DE 254 MM
(10 PO) SUR LE LIEU DE TRAVAIL**

**SIERRA DE MESA DE 254 MM
(10 PULG.) PARA LA OBRA**



Instruction Manual
Manuel d'instructions
Manual de instrucciones

www.portercable.com

INSTRUCTIVO DE OPERACIÓN, CENTROS DE
SERVICIO Y PÓLIZA DE GARANTÍA.

⚠ ADVERTENCIA: LÉASE ESTE INSTRUCTIVO
ANTES DE USAR EL PRODUCTO.

CATALOG NUMBER

PCB220TS

TABLE OF CONTENTS

SECTION	PAGE
PRODUCT SPECIFICATIONS.....	2
CALIFORNIA PROPOSITION 65.....	3
SAFETY GUIDELINES - DEFINITIONS	3
POWER TOOL SAFETY	4
TABLE SAW SAFETY	5
ELECTRICAL REQUIREMENTS AND SAFE- TY.....	7
TOOLS NEEDED FOR ASSEMBLY.....	9
CARTON CONTENTS.....	9
KNOW YOUR JOBSITE TABLE SAW.....	11
GLOSSARY OF TERMS.....	12
ASSEMBLY AND ADJUSTMENTS.....	13
OPERATION	23
MAINTENANCE.....	30
TROUBLESHOOTING GUIDE.....	31
ACCESSORIES AND ATTACHMENTS.....	33
PUSH STICK PATTERN.....	34
PARTS LIST.....	35
WARRANTY.....	40

PRODUCT SPECIFICATIONS

MOTOR

Type	Universal
Amps	15
Voltage	120
Hz	60
RPM (no load)	5000
Overload Protection	YES

MITER GAUGE YES

RIP FENCE YES

SAW

Table Size	25 in. x 19-1/2 in. (635 mm x 495 mm)
Table Extension	Right
Extension Fence Capacity.....	24 in. (609.6 mm)
Blade Size	10 in. (254 mm)
Arbor Size	5/8 in. (15.9 mm)

CUTTING PACACITY

Maximum Cut Depth @ 90°	3 in. (76 mm)
Maximum Cut Depth @ 45°	2-1/2 in. (64 mm)
Maximum Dado Cut Width	1/2 in. (12.7 mm)
Maximum Dado Blade Diameter	6 in. (152.4 mm)

WARNING

To avoid electrical hazards, fire hazards or damage to the table saw, use proper circuit protection. This table saw is wired at the factory for 110-120 Volt operation. It must be connected to a 110-120 Volt / 15 Ampere time delay fuse or circuit breaker. To avoid shock or fire, replace power cord immediately if it is worn, cut or damaged in any way. Before using your table saw, it is critical that you read and understand these safety rules. Failure to follow these rules could result in serious injury to you or damage to the table saw.

CALIFORNIA PROPOSITION 65

WARNING

Some dust created by power sanding, sawing, grinding, drilling and other construction activities contains chemicals known to the state of California to cause cancer, birth defects or other reproductive harm. Some examples of these chemicals are:

- Lead from lead-based paints,
- Crystalline silica from bricks and cement and other masonry products, and
- Arsenic and chromium from chemically-treated lumber.

Your risk from these exposures varies, depending on how often you do this type of work. To reduce your exposure to these chemicals: work in a well ventilated area, and work with approved safety equipment, such as those dust masks that are specially designed to filter out microscopic particles. Avoid prolonged contact with dust from power sanding, sawing, grinding, drilling, and other construction activities. Wear protective clothing and wash exposed areas with soap and water. Allowing dust to get into your mouth, eyes, or lay on the skin may promote absorption of harmful chemicals.

WARNING

Use of this tool can generate and/or disperse dust, which may cause serious and permanent respiratory or other injury. Always use NIOSH/OSHA approved respiratory protection appropriate for the dust exposure. Direct particles away from face and body.

SAFETY GUIDELINES - DEFINITIONS

WARNING ICONS

Your power tool and its Instruction Manual may contain “WARNING ICONS” (a picture symbol intended to alert you to and/or instruct you how to avoid a potentially hazardous condition). Understanding and heeding these symbols will help you operate your tool better and safer. Shown below are some of the symbols you may see.



SAFETY ALERT: Precautions that involve your safety.



PROHIBITION



WEAR EYE PROTECTION: Always wear safety goggles or safety glasses with side shields.



WEAR RESPIRATORY AND HEARING PROTECTION: Always wear respiratory and hearing protection.



READ AND UNDERSTAND INSTRUCTION MANUAL: To reduce the risk of injury, user and all bystanders must read and understand instruction manual before using this product.



KEEP HANDS AWAY FROM THE MOVING PART AND CUTTING SURFACE: Failure to keep your hands away from the moving part and cutting surface will result in serious personal injury.



SUPPORT AND CLAMP WORK

DANGER

DANGER: Indicates an imminently hazardous situation which, if not avoided, will result in death or serious injury.

WARNING

WARNING: Indicates a potentially hazardous situation which, if not avoided, could result in death or serious injury.

CAUTION

CAUTION: Indicates a potentially hazardous situation which, if not avoided, may result in minor or moderate injury.

CAUTION

CAUTION: Used without the safety alert symbol indicates potentially hazardous situation which, if not avoided, may result in property damage.



POWER TOOL SAFETY

GENERAL SAFETY INSTRUCTIONS BEFORE USING THIS POWER TOOL

Safety is a combination of common sense, staying alert and knowing how to use your power tool.

WARNING

- ▣ **To avoid mistakes that could cause serious injury, do not plug the tool in until you have read and understood the following.**
- ▣ **Read all instructions before operating product. Failure to follow all instructions listed below may result in electric shock, fire and/or serious injury.**

1.  **READ** and become familiar with the entire Instruction Manual. **LEARN** the tool's application, limitations and possible hazards.
2. **KEEP GUARDS IN PLACE** and in working order.
3. **REMOVE ADJUSTING KEYS AND WRENCHES.** Form the habit of checking to see that keys and adjusting wrenches are removed from the tool before turning ON.
4. **KEEP WORK AREA CLEAN.** Cluttered areas and benches invite accidents.
5. **DO NOT USE IN DANGEROUS ENVIRONMENTS.** Do not use power tools in damp locations, or expose them to rain or snow. Keep work area well lit.
6. **KEEP CHILDREN AWAY.** All visitors and bystanders should be kept a safe distance from work area.
7. **MAKE WORKSHOP CHILD PROOF** with padlocks, master switches or by removing starter keys.
8. **DO NOT FORCE THE TOOL.** It will do the job better and safer at the rate for which it was designed.
9. **USE THE RIGHT TOOL.** Do not force the tool or an attachment to do a job for which it was not designed.
10. **USE PROPER EXTENSION CORDS.** Make sure your extension cord is in good condition. When using an extension cord, be sure to use one heavy enough to carry the current your product will draw. An undersized cord will result in a drop in line voltage and in loss of power which will cause the tool to overheat. The table on page 7 shows the correct size to use depending on cord length and nameplate ampere rating. If in doubt, use the next heavier gauge. The smaller the gauge number, the heavier the cord.
11. **WEAR PROPER APPAREL.** Do not wear loose clothing, gloves, neckties, rings, bracelets or other jewelry which may get caught in moving parts. Nonslip footwear is recommended. Wear protective hair covering to contain long hair.
12.  **ALWAYS WEAR EYE PROTECTION.** Any power tool can throw foreign objects into the eyes and could cause permanent eye damage. **ALWAYS** wear Safety Goggles

(not glasses) that comply with ANSI Safety standard Z87.1. Everyday eyeglasses have only impact-resistant lenses. They **ARE NOT** safety glasses. **NOTE:** Glasses or goggles not in compliance with ANSI Z87.1 could seriously injure you when they

13.  **WEAR A FACE MASK OR DUST MASK.** Sawing operation produces dust.
14.  **SECURE WORK.** Use clamps or a vise to hold work when practical. It is safer than using your hand and it frees both hands to operate the tool.
15. **DISCONNECT TOOLS FROM POWER SOURCE** before servicing, and when changing accessories such as blades, bits and cutters.
16. **REDUCE THE RISK OF UNINTENTIONAL STARTING.** Make sure switch is in the OFF position before plugging the tool in.
17. **USE RECOMMENDED ACCESSORIES.** Consult this Instruction Manual for recommended accessories. The use of improper accessories may cause risk of injury to yourself or others.
18. **NEVER STAND ON THE TOOL.** Serious injury could occur if the tool is tipped or if the cutting tool is unintentionally contacted.
19. **CHECK FOR DAMAGED PARTS.** Before further use of the tool, a guard or other part that is damaged should be carefully checked to determine that it will operate properly and perform its intended function – check for alignment of moving parts, binding of moving parts, breakage of parts, mounting and any other conditions that may affect its operation. A guard or other part that is damaged should be properly repaired or replaced.
20. **NEVER LEAVE THE TOOL RUNNING UNATTENDED. TURN THE POWER “OFF”.** Do not walk away from a running tool until the blade comes to a complete stop and the tool is unplugged from the power source.
21. **DO NOT OVERREACH.** Keep proper footing and balance at all times.
22. **MAINTAIN TOOLS WITH CARE.** Keep tools sharp and clean for best and safest performance. Follow instructions for lubricating and changing accessories.
23. **DO NOT** use power tool in presence of flammable liquids or gases.
24. **DO NOT** operate the tool if you are under the influence of any drugs, alcohol or medication that could affect your ability to use the tool properly.
25. Dust generated from certain materials can be hazardous to your health. Always operate saw in well-ventilated area and provide for proper dust removal.
26.  **WEAR HEARING PROTECTION** to reduce the risk of induced hearing loss.

TABLE SAW SAFETY

1. **ALWAYS USE SAW BLADE GUARD**, riving knife and anti-kickback pawls for every through-sawing operation. Through-sawing operations are those in which the blade cuts completely through the workpiece when ripping or crosscutting. Always be sure blade guard is tightened securely.
 2. **ALWAYS HOLD WORK FIRMLY** against the miter gauge or rip fence.
 3. **ALWAYS USE** a push stick, especially when ripping narrow stock. Refer to ripping instructions in this Instruction Manual where the push stick is covered in detail. A pattern for making your own push stick is included on page 34.
 4. **NEVER PERFORM ANY OPERATION FREEHAND, which means using only your hands to support or guide the workpiece. Always use either the fence or the miter gauge to position and guide the work.**
- ⚠ WARNING**
- FREEHAND CUTTING IS THE MAJOR CAUSE OF KICKBACK AND FINGER/HAND AMPUTATIONS.**
5. **NEVER STAND** or have any part of your body in line with the path of the saw blade. Keep your hands out of the saw blade path.
 6. **NEVER REACH** behind or over the cutting tool for any reason.
 7. **REMOVE** the rip fence when crosscutting.
 8. **DO NOT USE** a molding head with this saw.
 9. **FEED WORK INTO THE BLADE** against the direction of rotation only.
 10. **NEVER** use the rip fence as a cut-off gauge when crosscutting.
 11. **NEVER ATTEMPT TO FREE A STALLED SAW BLADE** without first turning the saw OFF and unplugging saw from power source. Turn power switch OFF immediately to prevent motor damage.
 12. **PROVIDE ADEQUATE SUPPORT** to the rear and the sides of the saw table for long or wide workpieces.
 13. **AVOID KICKBACKS** (work thrown back towards you) by keeping the blade sharp, the rip fence parallel to the saw blade and by keeping the riving knife, anti-kickback pawls and guards in place, aligned and functioning. Do not release work before passing it completely beyond the saw blade. Do not rip work that is twisted, warped or does not have a straight edge to guide it along the fence.
 14. **AVOID AWKWARD OPERATIONS** and hand positions where a sudden slip could cause your hand to move into the saw blade.
 15. **NEVER USE SOLVENTS** to clean plastic parts. Solvents could possibly dissolve or otherwise damage the material. Only a soft damp cloth should be used to clean plastic parts.
 16. **MOUNT** your table saw on a bench or stand before performing any cutting operations. Refer to **ASSEMBLY AND ADJUSTMENTS** on page 13. Secure tool properly to prevent unexpected movement.
 17. **NEVER CUT METALS** or materials that may make hazardous dust.
 18. **ALWAYS USE IN A WELL-VENTILATED AREA.** Remove sawdust frequently. Clean out sawdust from the interior of the saw to prevent a potential fire hazard. Attach a vacuum to the dust port for additional sawdust removal.
 19. **NEVER LEAVE THE SAW RUNNING UNATTENDED.** Do not leave the saw until the blade comes to a complete stop.
 20. For proper operation follow the instructions in this Instruction Manual entitled **ASSEMBLY AND ADJUSTMENTS** (Page 13). Failure to provide sawdust fall-through and removal hole will allow sawdust to build up in the motor area resulting in a fire hazard and potential motor damage.
 21. **USE ONLY** saw blades recommended with warning that the riving knife shall not be thicker than the width of the groove cut by the saw blade and not thinner than the body of the saw blade.
 22. **USE PUSH-STICK OR PUSH BLOCK** to feed the workpiece past the saw blade. The push-stick or push block should always be stored with the machine when not in use.
 23. **DIRECTION OF FEED.** Feed work into a blade against the direction of rotation of the blade.

TABLE SAW SAFETY

SAW BLADE GUARD ASSEMBLY, ANTI-KICKBACK ASSEMBLY AND RIVING KNIFE

Your table saw is equipped with a blade guard assembly, anti-kickback assembly and riving knife that covers the blade and reduces the possibility of accidental blade contact. The riving knife is a flat plate that fits into the cut made by the saw blade and effectively fights kickback by lessening the tendency of the blade to bind in the cut. The blade guard assembly and anti-kickback assembly can only be used when making through cuts that sever the wood. When making rabbets and other cuts that make non through cuts, the blade guard assembly and anti-kickback assembly must be removed and riving knife lowered to the non through cut position marked on the riving knife. Two anti-kickback pawls are located on the sides of the riving knife that allow the wood to pass through the blade in the cutting direction but reduce the possibility of the material being thrown backwards toward the operator. Use all components of the guarding system (blade guard assembly, riving knife and anti-kickback assembly) for every operation for which they can be used including all through cutting. If you elect not to use any of these components for a particular application exercise additional caution regarding control of the workpiece, the use of push sticks, the position of your hands relative to the blade, the use of safety glasses, the means to avoid kickback and all other warnings contained in this manual and on the saw itself. Replace the guarding systems as soon as you return to thru-cutting operations. Keep the guard assembly in working order.

KICKBACKS

KICKBACKS: Kickbacks can cause serious injury. A kickback occurs when a part of the workpiece binds between the saw blade and the rip fence, or other fixed object, and rises from the table and is thrown toward the operator. Kickbacks can be avoided by attention to the following conditions.

How to Avoid Them and Protect Yourself from Possible Injury:

- a. Be certain that the rip fence is parallel to the saw blade.
- b. Do not rip by applying the feed force to the section of the workpiece that will become the cut-off (free) piece. Feed force when ripping should always be applied between the saw blade and the fence; use a push stick for narrow work, 6 in. (152 mm) wide or less.
- c. Keep saw blade guard assembly, riving knife and anti-kickback assembly in place and operating properly. If anti-kickback assembly is not operational, return your unit to the nearest authorized service center for repair. The riving knife must be in alignment with the saw blade and the anti-kickback assembly must stop a kickback once it has started. Check their action before ripping by pushing the wood under the anti-kickback assembly. The teeth must prevent the wood from being pulled toward the front of the saw.
- d. Plastic and composite (like hardboard) materials may be cut on your saw. However, since these are usually quite hard and slippery, the anti-kickback pawls may not stop a kickback. Therefore, be especially attentive to following proper set up and cutting procedures for ripping.
- e. Use saw blade guard assembly, anti-kickback assembly and riving knife for every operation for which it can be used, including all through-sawing.
- f. Push the workpiece past the saw blade prior to release.
- g. Never rip a workpiece that is twisted or warped, or does not have a straight edge to guide along the fence.
- h. Never saw a large workpiece that cannot be controlled.
- i. Never use the fence as a guide or length stop when crosscutting.
- j. Never saw a workpiece with loose knots, flaws, nails or other foreign objects.
- k. Never rip a workpiece shorter than 10 in. (254 mm).
- l. NEVER use a dull blade – replace or have resharpened.
- m. NEVER use a rip fence and miter gauge together.
- n. Keep hands out of saw blade.

ELECTRICAL REQUIREMENTS AND SAFETY

POWER SUPPLY AND MOTOR SPECIFICATIONS

⚠ WARNING

To avoid electrical hazards, fire hazards, or damage to the tool, use proper circuit protection. Use a separate electrical circuit for your tool. Your table saw is wired at the factory for 120V operation. Connect to a 120V, 15 Amp circuit and use a 15 Amp time delay fuse or circuit breaker. To avoid shock or fire, if power cord is worn, cut, or damaged in any way, have it replaced immediately.

GROUNDING INSTRUCTIONS

⚠ WARNING

This tool must be grounded while in use to protect the operator from electrical shock.

IN THE EVENT OF A MALFUNCTION OR BREAKDOWN, grounding provides a path of least resistance for electric currents and reduces the risk of electric shock. This tool is equipped with an electrical cord that has an equipment-grounding conductor and a grounding plug. The plug must be plugged into a matching receptacle that is properly installed and grounded in accordance with all local codes and ordinances.

DO NOT MODIFY THE PLUG PROVIDED. If it will not fit the receptacle, have the proper receptacle installed by a qualified electrician.

IMPROPER CONNECTION of the equipment grounding conductor can result in risk of electric shock. The conductor with the green insulation (with or without yellow stripes) is the equipment grounding conductor. If repair or replacement of the electrical cord or plug is necessary, do not connect the equipment grounding conductor to a live terminal.

CHECK with a qualified electrician or service person if you do not completely understand the grounding instructions, or if you are not certain the tool is properly grounded.

USE only 3-wire extension cords that have three-pronged grounding plugs with three-pole receptacles that accept the tool's plug. Repair or replace damaged or worn cords immediately.

Use a separate electrical circuit for your tool. This circuit must not be less than #14 wire and should be protected with a 15 Amp time delay fuse. Before connecting the motor to the power line, make sure the switch is in the off position and the electric current is rated the same as the current stamped on the motor nameplate. Running at a lower voltage will damage the motor.

GUIDELINES FOR EXTENSION CORDS

USE THE PROPER EXTENSION CORD. Make sure your extension cord is in good condition. Use an extension cord heavy enough to carry the current your product will draw. An undersized cord will cause a drop in line voltage resulting in loss of power, overheating and burning out of the motor. The table below shows the correct size to use depending on cord length and nameplate ampere rating. If in doubt, use the next heavier gauge. The smaller the gauge number, the heavier the cord.

Make sure your extension cord is properly wired and in good condition. Always replace a damaged extension cord or have it repaired by a qualified technician before using it. Protect your extension cords from sharp objects, excessive heat and damp or wet areas.

MINIMUM GAUGE FOR EXTENSION CORDS (AWG)				
(When using 120 volts only)				
Ampere Rating		Total length of Cord		
More Than	Not More Than	25 (7.62)	50 (15.24)	100 150 ft. (30.48 45.72 m)
AWG- American Wire Gauge				
0	6	18	16	14
6	10	18	16	14 12
10	12	16	16	14 12
12	16	14	12	Not Recommended

⚠ WARNING

This tool is for indoor use only. Do not expose to rain or use in damp locations.

This tool is intended for use on a circuit that has a receptacle like the one illustrated in Fig. 1. Fig. 1 shows a three-pronged electrical plug and receptacle that has a grounding conductor. If a properly grounded receptacle is not available, an adapter (Fig. 2) can be used to temporarily connect this plug to a two-contact grounded receptacle.

The adapter (Fig. 2) has a rigid lug extending from it that **MUST** be connected to a permanent earth ground, such as a properly grounded receptacle box.

⚠ CAUTION

In all cases, make certain the receptacle is properly grounded. If you are not sure, have a qualified electrician check the receptacle.

Fig. 1

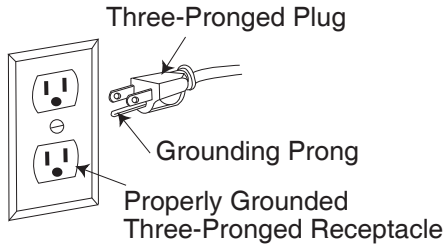
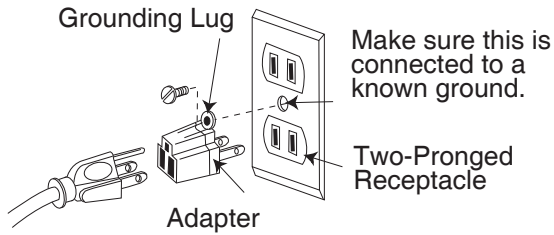


Fig. 2



TOOLS NEEDED FOR ASSEMBLY

Supplied



Blade wrench

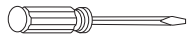


Blade wrench

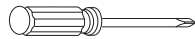


3 mm hex key

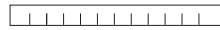
Not Supplied



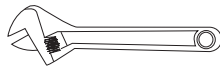
Flat bladed screwdriver



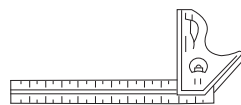
Phillips screwdriver



Straight edge



Adjustable wrench
and 13, 14 mm wrench



Combination square

CARTON CONTENTS

UNPACKING AND CHECKING CONTENTS

Carefully unpack the table saw and all its parts, and compare against the list below and the illustration on the next page. With the help of an assistant place the saw on a secure surface and examine it carefully.

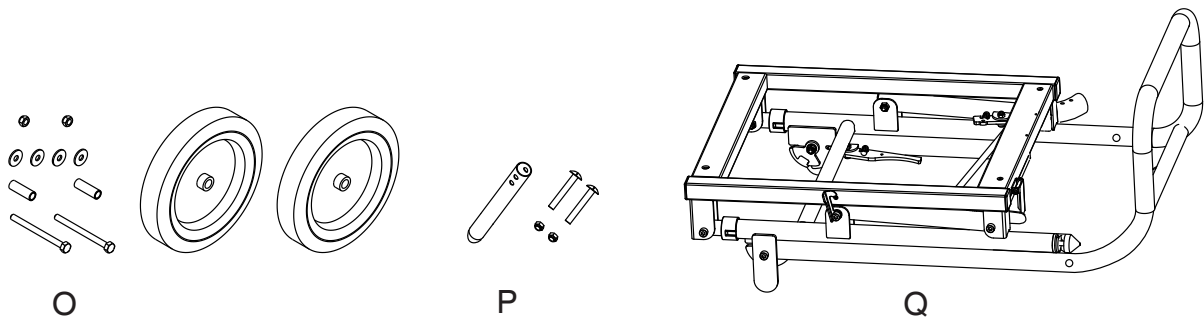
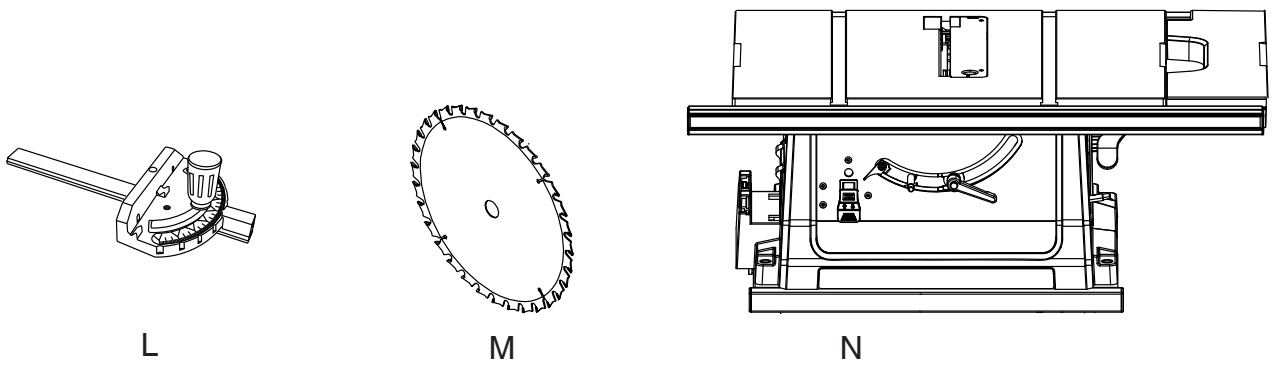
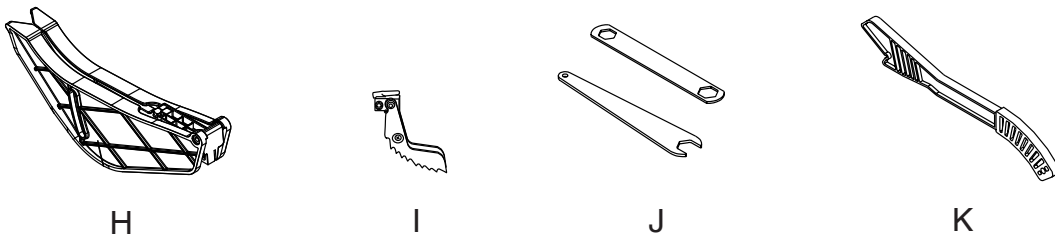
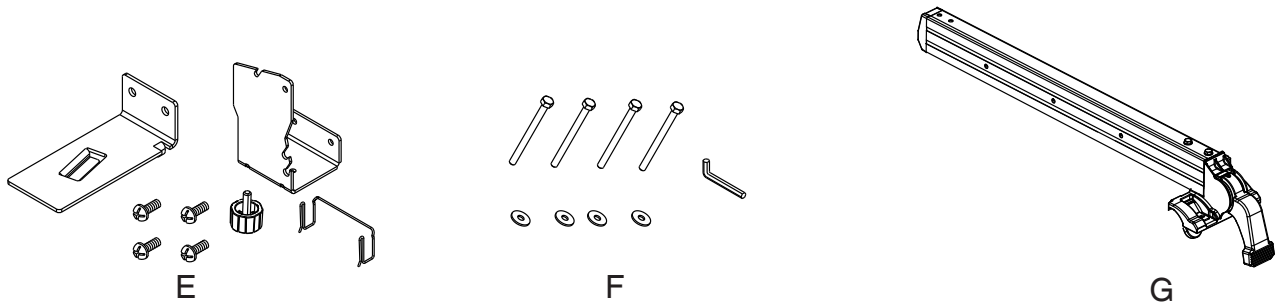
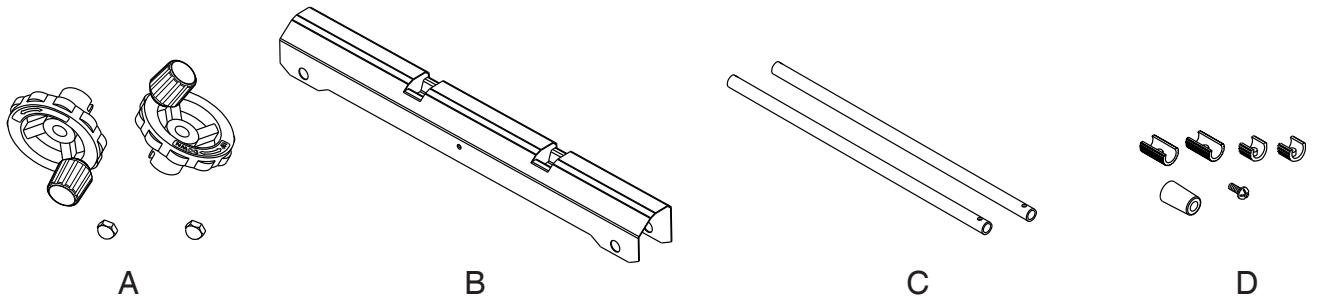
⚠ WARNING

- To avoid injury from unexpected starting or electrical shock, do not plug the power cord into a source of power during unpacking and assembly. The cord must remain unplugged whenever you are adjusting/ assembling the table saw.
- The table saw is heavy and should be lifted with care. If needed, get the assistance of someone to lift and move the table saw.
- If any part is missing or damaged, do not attempt to assemble the table saw, or plug in the power cord until the missing or damaged part is correctly replaced.

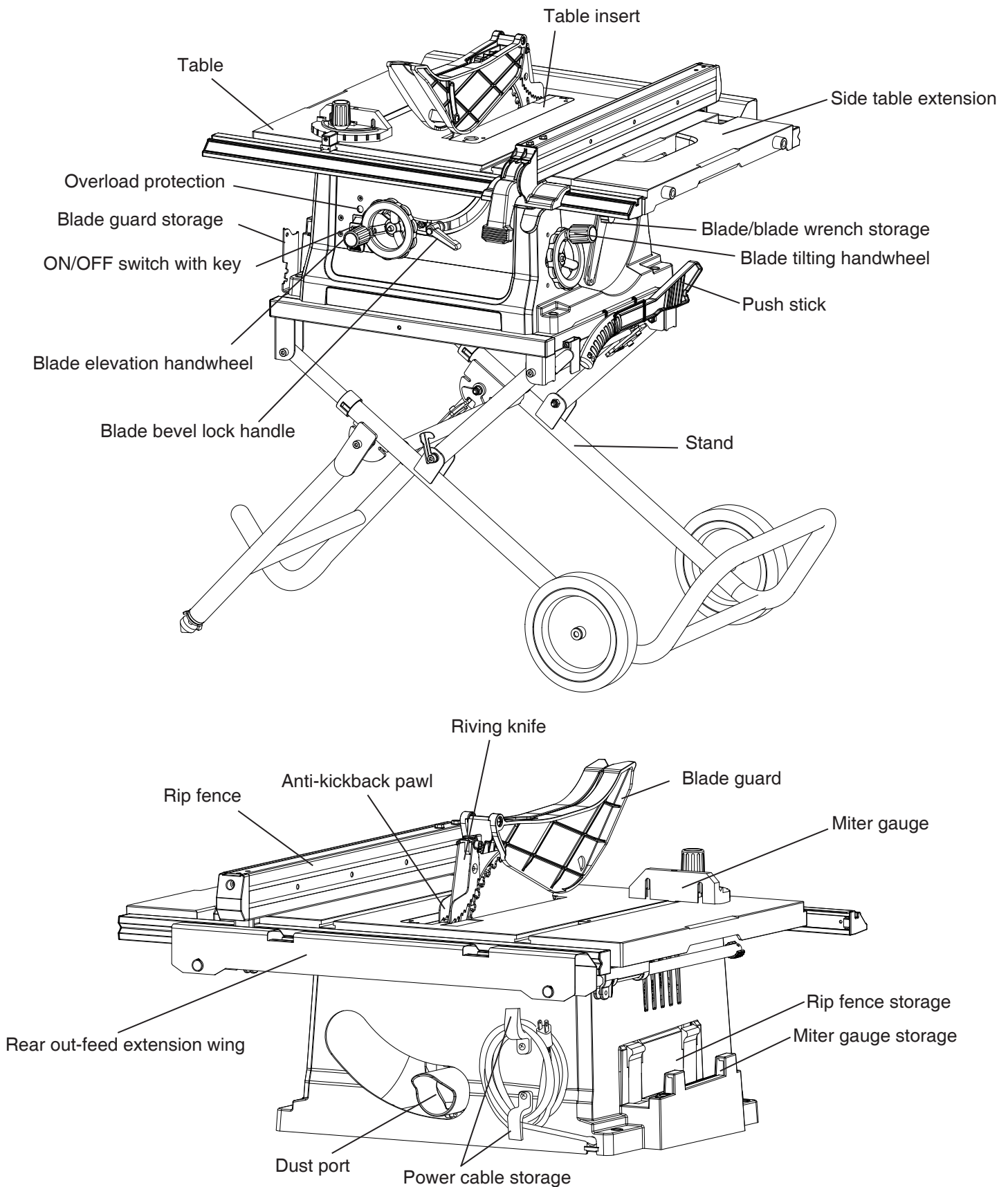
TABLE OF LOOSE PARTS

ITEM	DESCRIPTION	QUANTITY
A.	Handwheel handle hardware bag	1
B.	Rear extension wing	1
C.	Rear extension wing tube	2
D.	Rear extension wing hardware bag	1
E.	Riving knife storage (knob)	1
	Blade guard storage, screws	1 set
	Push stick storage holder	1
F.	Hex bolts, washers	4 each
	3 mm hex key	1
G.	Rip fence	1
H.	Blade guard assembly	1
I.	Anti-kickback pawls assembly	1
J.	Blade wrench	2
K.	Push stick	1
L.	Miter gauge	1
M.	Blade	1
N.	Table saw	1
O.	Roller wheel assembly	2
P.	Leg tube hardware bag	1
Q.	Stand	1

UNPACKING YOUR JOBSITE TABLE SAW



KNOW YOUR JOBSITE TABLE SAW



GLOSSARY OF TERMS

ANTI-KICKBACK PAWLS – Prevents the workpiece from being kicked upward or back toward the front of the table saw by the spinning blade.

ARBOR – The shaft on which the blade or dado is mounted.

BEVEL CUT – An angle cut made through the face of the workpiece.

BLADE BEVEL SCALE – Measures the angle the blade is tilted when set for a bevel cut.

BLADE ELEVATION AND TILTING HANDWHEEL – Raises and lowers the blade or tilts the blade to angle between 0° and 45° for bevel cuts.

BLADE GUARD – Clear plastic cover that positions itself over the blade while cutting.

COMPOUND CUT – A simultaneous bevel and miter cut.

CROSSCUT – A cut made across the width of the workpiece.

DADO – Special cutting blades that are used to cut grooves in a workpiece.

FEATHERBOARD – When ripping a workpiece on your table saw, this keeps it firmly and safely against the rip fence. It also helps prevent chatter, gouging, and dangerous kickback.

FREEHAND – Performing a cut without using a rip fence, miter gauge, hold down or other proper device to prevent the workpiece from twisting during the cutting operation.

GUM – A sticky sap from wood products.

HEEL – Misalignment of the blade.

JAMB NUT – Nut used to lock another nut in place on a threaded rod or bolt.

KERF – The amount of material removed by the blade cut.

KICKBACK – Occurs when the saw blade binds in the cut and violently thrusts the workpiece back toward the operator.

MITER CUT – An angle cut made across the width of the workpiece.

MITER GAUGE – A guide used for crosscutting operations that slides in the table top channels (grooves) located on either side of the blade. It helps make accurate straight or angle crosscuts.

NON-THROUGH SAWING - refers to any cut that does not completely cut through the workpiece.

OVERLOAD RESET SWITCH – Protects the motor if it overloads during operation, provides a way to restart the saw.

PUSH STICK – Used to push workpieces when performing ripping operations.

PUSH BLOCK – Used for ripping operation when the workpiece is too narrow to use a push stick. Always use a push block for rip widths less than 2 in (50.8 mm).

RESAWING - Flipping material to make a cut the saw is not capable of making in one pass.

⚠ WARNING

Resawing IS NOT recommended.

REVOLUTIONS PER MINUTE (RPM) – The number of turns completed by a spinning object in one minute.

RIP FENCE – A guide used for rip cutting which allows the workpiece to cut straight.

RIPPING – Cutting with the grain of the wood or along the length of the workpiece.

RIVING KNIFE – A metal piece of the guard assembly located behind and moves with the blade. Slightly thinner than the saw blade, it helps keep the kerf open and prevents kickback.

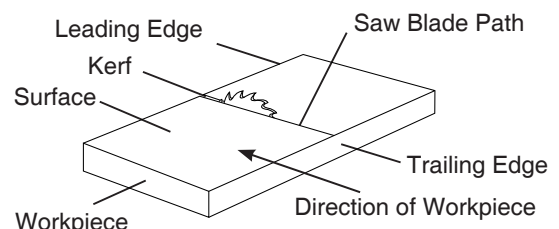
SAW BLADE PATH – The area of the workpiece or table top directly in line with the travel of the blade or the part of the workpiece that will be cut.

SET – The distance between two saw blade tips, bent outward in opposite directions to each other. The further apart the tips are, the greater the set.

TABLE INSERT – Insert that is removed from the table to install / remove blades. When dado cutting, a dado insert plate must be used.

THROUGH SAWING – Making a cut completely through the length or width of a workpiece.

WORKPIECE – Material to be cut.



NOTE: Blade guard assembly is removed for purposes of illustration only.

ASSEMBLY AND ADJUSTMENTS

Estimated Assembly Time: 45 - 60 Minutes.

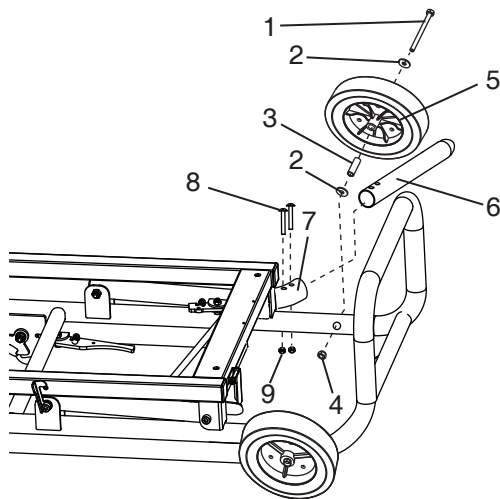
⚠ WARNING

For your safety, never connect plug to power source receptacle until all assembly and adjustment steps are complete, and you have read and understood the safety instructions.

ASSEMBLING THE STAND (FIG. A)

1. **Bag "O"** - Attach one roller wheel to the rear leg using the hex bolt (1), the two flat washers (2), the sleeve (3) and the nut (4), as shown. **NOTE:** Verify that the side of the wheel that has more ribs (5) is facing toward the stand.
2. Tighten the nut (4). **NOTE:** Do not overtighten, because doing so will not allow the wheels to turn.
3. Repeat the above steps for the other roller wheel to the front leg.
4. **Bag "P"** - Insert leg tube (6) into leg tube (7), join the leg tubes by using bolts (8) and nuts (9).

Fig. A



SETTING UP THE STAND (FIG. B, C, D)

1. Lift up the left side of the stand as shown. (Fig. D)
2. Unfold the left side set leg (3) by releasing the locking levers (2) from slot A to slot B, then rest the left side of the stand onto the floor.
3. Release the hook (1) from the stop screw.
4. Raise the cover plate (4) on the right side of the stand, pull the locking handle (5) out, and then lift the stand slowly upward as shown. (Fig. D)

Fig. B

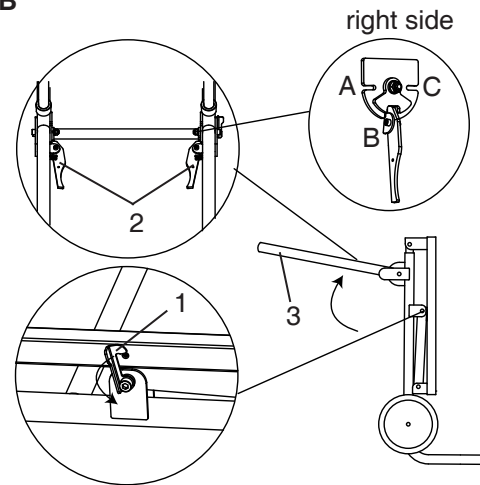


Fig. C

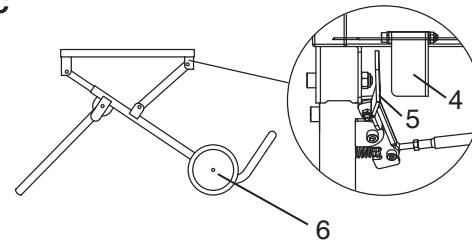
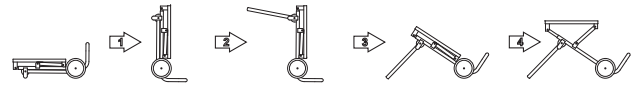


Fig. D

SETTING UP



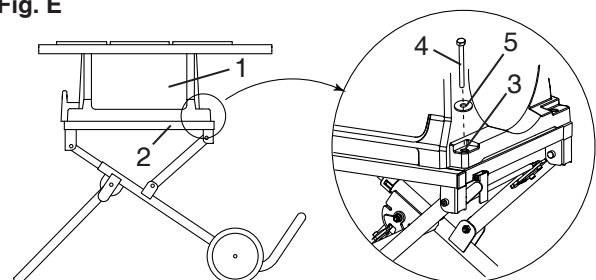
⚠ WARNING

For your safety, never connect plug to power source receptacle until all assembly and adjustment steps are complete, and you have read and understood the safety instructions.

ASSEMBLING TABLE SAW TO STAND (FIG. E)

1. Lift the saw body (1) and place on the stand (2), aligning the four mounting grooves (3) of the saw base with the four mounting holes on the top plate of stand.
2. **Bag "F"** - Attach the table saw to the stand with four hex head bolts (4) and washers (5).
3. Tighten all mounting bolts with a wrench.

Fig. E



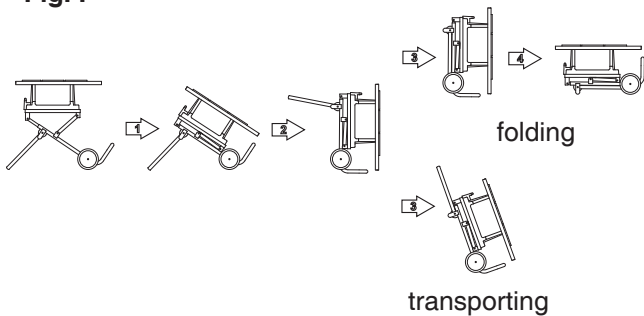
FOLDING THE STAND (FIG. B, C, F)

1. Raise the cover plate (4) on the right side of stand, pull the locking handle (5) out, and then move the saw close to the wheel (6). (Fig. C, F)
2. Rotate the hook (1) to the stop screw to secure the legs of the stand in position. (Fig. B)
3. Rest the right side of the saw onto the floor.
4. Fold the left side leg set (3) close to the base by releasing the two left side locking levers (2) from slot B to slot A.
5. Fold the stand slowly downward as shown. (Fig. F)

TRANSPORTING THE SAW (FIG. B, C, F)

1. Raise the cover plate (4) on the right side of stand, pull the locking handle (5) out, and then move the saw close to the wheel (6). (Fig. C, F)
2. Rotate the hook (1) to the stop screw to secure the legs of the stand in position. (Fig. B)
3. Rest the right side of the saw onto the floor.
4. Unfold the left side leg set (3) by releasing the two left side locking levers (2) from slot B to slot C.(Fig.B)
5. Move the saw to the desired location for operation or store the saw in a dry environment by using the left side leg set (3) as handle.

Fig. F



UNFOLDING THE STAND (FIG. B, C, D)

Please refer to the section "SETTING UP THE STAND" on page 13.

STORAGE (FIG. G, H, I, J, K, L)

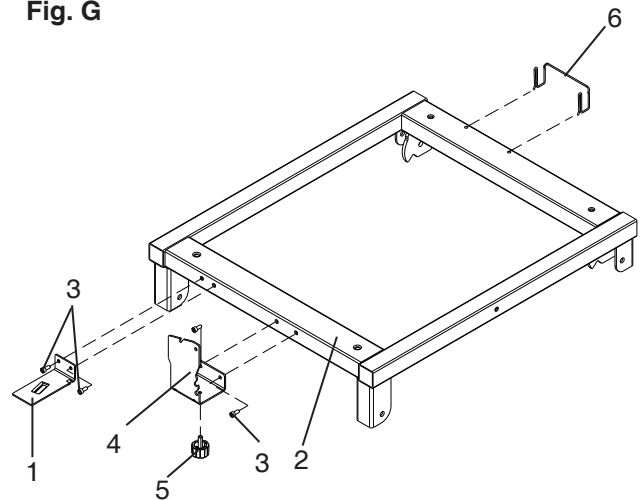
INSTALLING THE BLADE GUARD, ANTI-KICKBACK PAWLS AND RIVING KNIFE STORAGE (FIG. G)

1. **Bag " E "** - Attach the retaining clip (1) to the stand (2) using screws (3) and tighten screws securely.
2. Attach the set plate (4) to the stand (2) using hex. bolts (3) and tighten hex. bolts securely. Thread the knob (5) to the bottom of the set plate (4).

INSTALLING THE PUSH-STICK STORAGE HOLDER (FIG. G)

Bag " E " -Attach the metal push-stick storage bracket (6) into the provided slots on the right side of the stand. The bracket will snap into place.

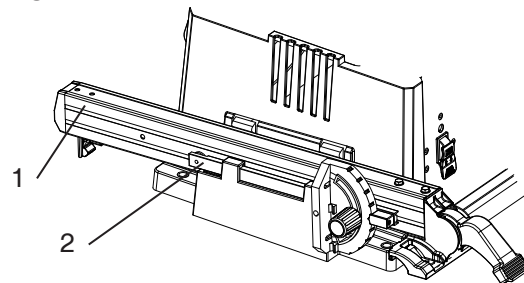
Fig. G



Rip fence, miter gauge (Fig. H)

Storage brackets for the rip fence (1) and miter gauge (2) are located on the left side of the saw housing.

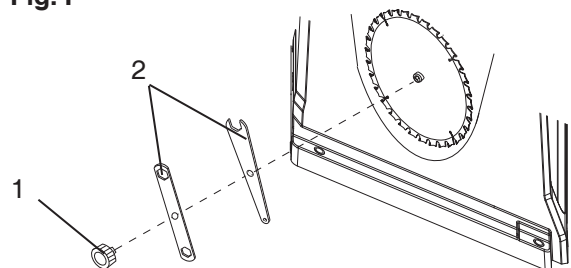
Fig. H



Blade/blade wrench (Fig. I)

1. Loosen and remove the knob (1) on the right side of the saw housing.
2. Place blade wrenches (2), extra blades (not included), onto the arbor. Replace the knob and tighten.

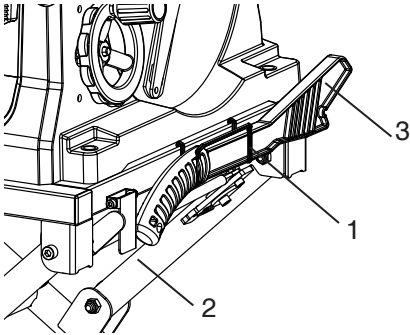
Fig. I



Push stick (Fig. J)

A storage bracket for the push stick (1) is located on the right side of the stand (2). Store the push stick (3) as shown.

Fig. J



Anti-kickback pawls (Fig. K)

Storage for the anti-kickback pawls (1) is located on the left side of the stand.

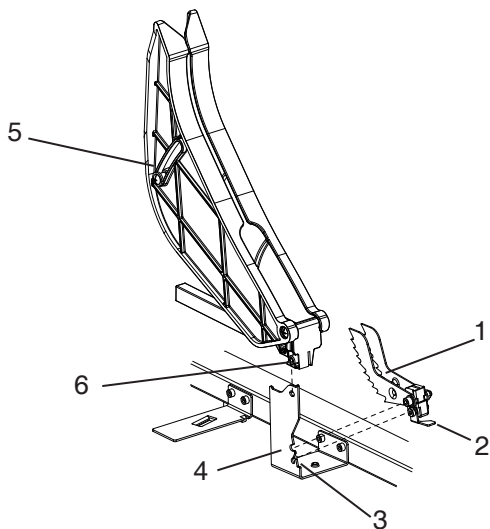
1. Take the anti-kickback pawl (1) and lift up the locking lever (2) located on top.
2. Place the anti-kick pawls (1) into slot (3) on the set plate (4) and push down making sure the assembly is engaged in the slot (3). Push down on the locking lever (2).

Blade guard assembly (Fig. K)

Storage for the blade guard assembly is located on the left side of the stand.

1. Take the blade guard assembly (5) and slide the locking knob (6) up and press the guard assembly down so that the entire assembly is located on the set plate (4). Release the locking knob (6).

Fig. K

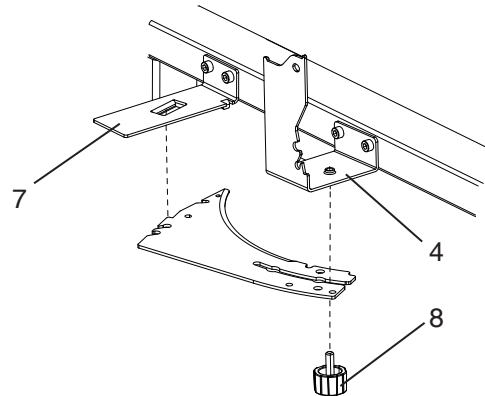


Riving knife (Fig. L)

Storage brackets for the riving knife are located on the left side of the stand.

1. Insert the riving knife between the set plate (4) and retaining clip (7).
2. Tighten the knob (8).

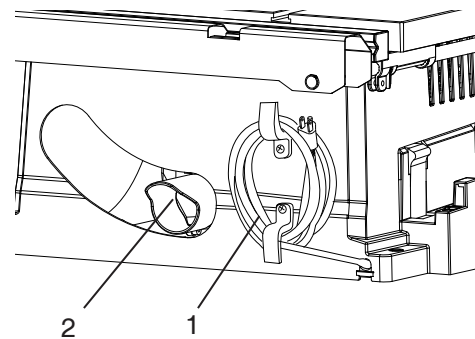
Fig. L



Power cord (Fig. M)

Wrap the power cord (1) as shown. Do not wrap the power cord around the dust port (2).

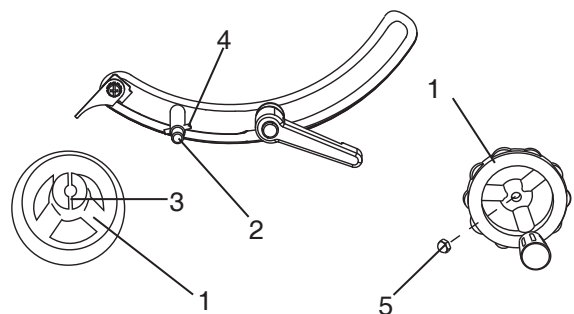
Fig. M



INSTALLING THE BLADE ELEVATION HANDWHEEL (FIG. N)

1. Bag "A" - Attach the blade elevation handwheel (1) to the elevation rod (2) at the front of the saw. Make sure the slots (3) in the hub of the handwheel (1) engage with the pins (4).
2. Attach and tighten the dome nut (5).

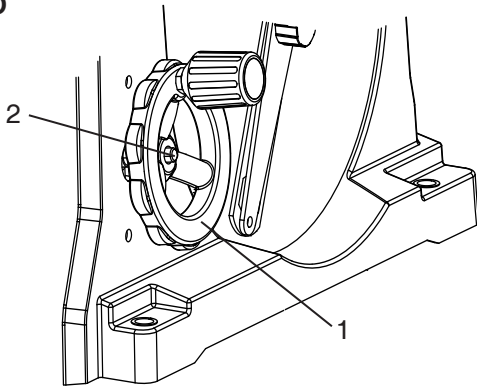
Fig. N



INSTALLING THE BLADE TILTING HANDWHEEL (FIG. O)

1. **Bag " A "** - Attach the blade tilting handwheel (1) to the blade tilting rod on the right side of the saw in the same manner as you attached the elevation hand wheel.
2. Attach and tighten the dome nut (2).

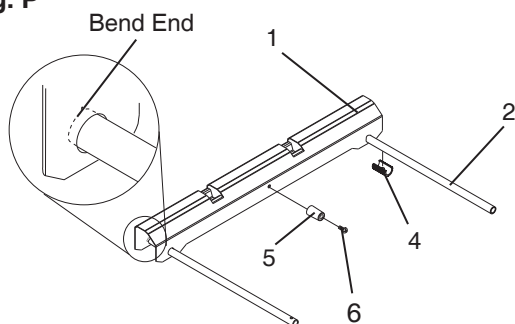
Fig. O



INSTALLING THE REAR TABLE EXTENSION (FIG. P, Q)

1. **Bag " B, C, D "** - Insert the two rear table extension tubes (2) into the rear table extension (1). (Fig. P)
NOTE: They must be inserted into the back of the extension with the bent end last so that the bar will hold the extension in place.
2. Snap two long plastic stops (4) over the two rear table extension tubes (2). Make sure the locating pin in the black plastic stops fits into the matching hole in the extension tube. This will 'lock' the tube into the extension. (Fig. P)
3. Insert the rear table extension tubes (2) into the two extension tube brackets under the table (3).

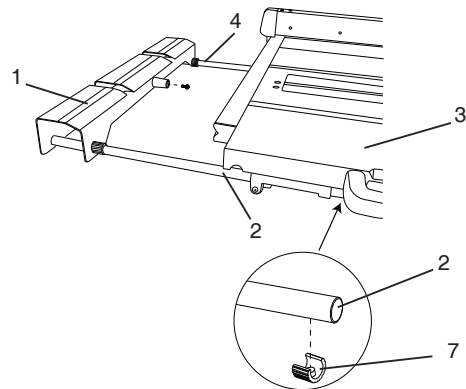
Fig. P



4. Attach the rubber pad (5) to the inside of the rear table extension (1). Thread the screw (6) through the rubber pad with a screwdriver. Do not overtighten the screw (6). (Fig. Q)

5. Snap two short plastic stops (7) over the end of the rear table extension tubes (2). Make sure the locating pin in the location seats fit into the matching holes in the extension tubes. (Fig. Q)

Fig. Q



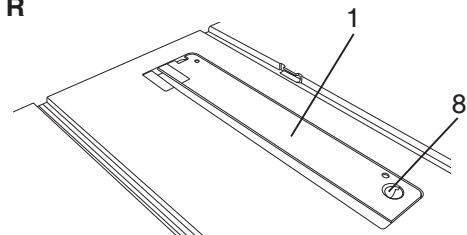
INSTALLING THE BLADE (FIG. R, S, T)

⚠ WARNING

To avoid injury from an accidental start, make sure the switch is in the OFF position and the plug is not connected to the power source outlet.

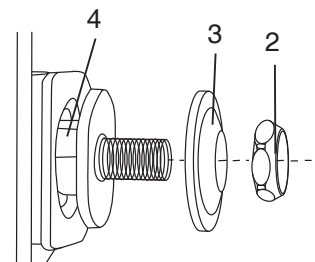
1. Remove the table insert (1) by snapping out from the hole (8). Raise the blade arbor to the maximum height by turning the blade elevation handwheel clockwise. (Fig. R)

Fig. R



2. Remove the arbor nut (2) and outer blade flange (3). (Fig. S)

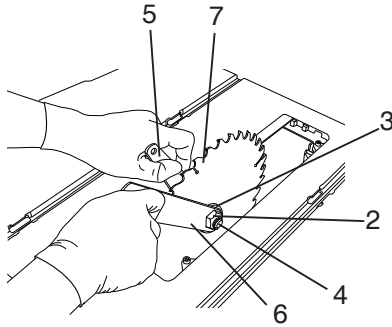
Fig. S



3. Place the blade onto the arbor (4) with the blade teeth pointing forward to the front of the saw. (Fig. T)
4. Make sure the blade fits flush against the inner flange.
5. Clean the outer blade flange (3) and install it onto the arbor (4) and against the blade. (Fig. T)

6. Thread the arbor nut (2) onto the arbor, making sure the flat side of the nut is against the blade, then hand-tighten. (Fig. T)
7. To tighten the arbor nut (2), place the open-end wrench (5) on the flats of the saw arbor to keep the arbor from turning. (Fig. T)
8. Place the box-end wrench (6) on the arbor nut (2) and turn clockwise (to the rear of the saw table). (Fig. T)
9. Lower the blade to its minimum height position and place insert (1) into position. (Fig. R)

Fig. T



⚠ WARNING

To avoid possible injury and damage to the workpiece, be sure to **INSTALL THE BLADE WITH THE TEETH POINTING TOWARD THE FRONT OF TABLE** in the direction of the rotation arrow on the blade guard.

REMOVING THE BLADE (FIG. R, T)

⚠ WARNING

To avoid injury from an accidental start, make sure the switch is in the **OFF** position and the plug is disconnected from the power source outlet.

1. Remove the table insert by snapping out from the hole (8). (Fig. R)
2. Raise the blade to the maximum height by turning the blade elevation handwheel clockwise.
3. Adjust the blade to the 90° vertical position by unlocking the blade tilting lock handle and turning the blade tilting handwheel counterclockwise, and then lock into position.
4. Place the box end blade wrench (6) on the arbor nut (2). (Fig. T)
5. To loosen the arbor nut (2), place the open-end wrench (5) on the flats of the saw arbor to keep the arbor from turning. (Fig. T)
6. Remove the blade (7). Clean but do not remove the inner blade flange before reassembling the blade. (Fig. T)

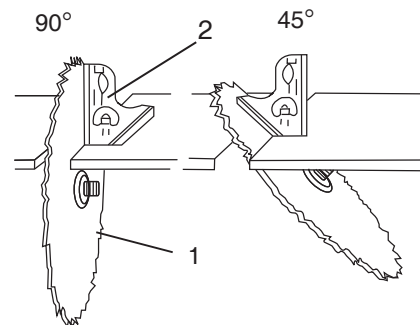
ADJUSTING THE 90° AND 45° POSITIVE STOPS (FIG. U, V)

Your saw has positive stops that will quickly position the saw blade at 90° and 45° to the table. Make adjustments only if necessary.

90° Stop

1. Disconnect the saw from the power source.
2. Turn the blade elevation handwheel and raise the blade to the maximum elevation.
3. Loosen the blade bevel lock handle and move the blade (1) to the maximum vertical position, then tighten the lock handle.
4. Place a combination square (2) on the table and against the blade (1) to determine if the blade is 90° to the table. (Fig. U)
5. If the blade is not 90° to the table, loosen the two set screws (4), located on the collar (5) underneath the table saw (Fig. V) with the hex key, and back off the collar.
6. Loosen the bevel lock knob, turn the blade tilting handwheel to move the blade until it is 90° to the table and tighten the bevel lock knob.
7. Adjust the collar (5) so it contacts the bracket (3) when the blade is 90° to the table. Tighten the two set screws (4). (Fig. V)

Fig. U

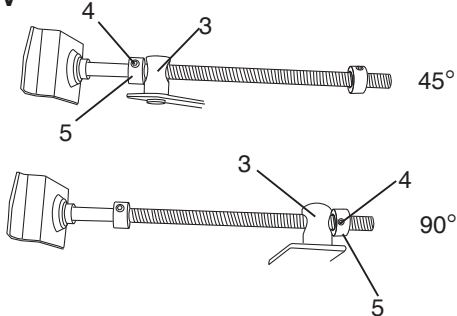


45° Stop

1. With the blade in the upright 90° position, loosen the bevel lock handle and move the blade to the maximum bevel angle.
2. Place the combination square on the table as shown in Fig. U to check if the blade is 45° to the table.
3. If the blade is not 45° to the table, loosen the two set screws (4), located on the collar (5) the table saw, with the hex key, and back off the collar underneath. (Fig. V)
4. Loosen the bevel lock handle, turn the blade tilting handwheel to move the blade until it is 45° to the table and tighten the blade bevel lock handle.

- Adjust the collar (5) so it contacts the bracket (3) when the blade is 45° to the table. Tighten the two set screws.

Fig. V



BLADE TILT POINTER

- When the blade is positioned at 90°, adjust the blade tilt pointer to read 0° on the scale.
- Loosen the mounting screw, position pointer over 0° and tighten the screw.

NOTE: Make a trial cut on scrap wood before making critical cuts. Measure for exactness.

BLADE PARALLEL TO THE MITER GAUGE GROOVE (FIG. W, X)

⚠ WARNING

This adjustment was made at the factory, but it should be rechecked and adjusted if necessary.

⚠ WARNING

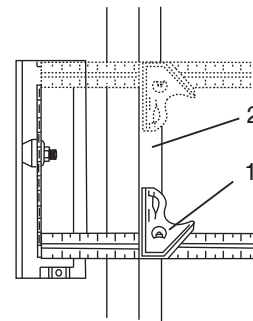
To prevent personal injury:

- Always disconnect plug from the power source when making any adjustments.
- This adjustment must be correct or accurate cuts can not be made. Also inaccurate adjustment can result in kickback and serious personal injury.

- Remove the safety switch key and unplug the saw.
- Remove the blade guard for this procedure but reinstall and realign after adjustment.
- Raise the blade to the highest position and set at the 0° angle (90° straight up).
- Select and mark, with a felt tip maker, a blade tooth having a “right set” and rotate the blade so the marked tooth is 1/2 in. (12.7 mm) above the table.
- Place the combination square base (1) into the right side miter gauge groove (2). (Fig. W)
- Adjust the rule so it touches the front marked tooth and lock ruler so it holds its position in the square assembly.

- Rotate the blade bringing the marked tooth to the rear and about 1/2 in. (12.7 mm) above the table.
- Carefully slide the combination square to the rear until the ruler touches the marked tooth.
- If the ruler touches the marked tooth at the front and rear position, no adjustment is needed at this time. If not or the base of the rule is no longer parallel with the edge of the miter gauge groove, perform adjustment procedure described in next section.

Fig. W



ADDITIONAL BLADE ADJUSTMENTS (FIG. X)

NOTE: The adjusting mechanism is located above the blade height adjusting hand wheel under the tabletop. If the front and rear measurements are not the same.

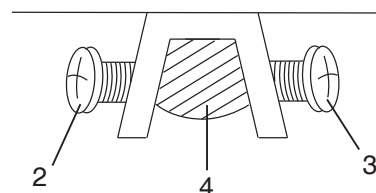
If the blade is partial to right side:

- Turn the left adjustment screw (2) counterclockwise and adjust the right side adjustment screw (3) clockwise.
- Remeasure, as described in steps 4 to 9 in the prior section.
- When alignment is achieved, turn the left adjustment screw (2) until it touches the pivot rod (4).

If the blade is partial to left side:

- Turn the right adjustment screw (3) counterclockwise and adjust the left side adjustment screw (2) clockwise.
- Remeasure, as described in steps 4 to 9 in the prior section.
- When alignment is achieved, turn the right adjustment screw (3) until it touches the pivot rod (4).

Fig. X



INSTALLING THE RIVING KNIFE (FIG. Y)

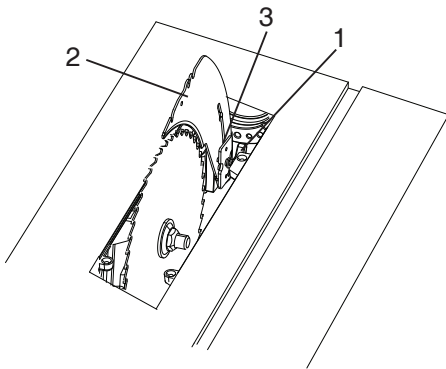
1. Remove the table insert.
2. With the blade elevation handwheel, raise the blade arbor to the maximum height.
3. Loosen the riving knife lock knob (1). (minimum of three turns)
4. To disengage riving knife lock pin, push lock knob in as indicated by the arrows on the knob.
5. Insert the riving knife (2) into the space (3).
6. Slide the riving knife down completely and release knob. The lock pin should snap into place.
7. Tighten the riving knife lock knob.

⚠ WARNING

Before connecting the table saw to the power source or operating the saw, always inspect the blade guard assembly and riving knife for proper alignment and clearance with saw blade. Check alignment after each change of bevel angle.

NOTE: DO NOT operate saw if riving knife is not locked in the thru-cut or non thru-cut position hole.

Fig. Y



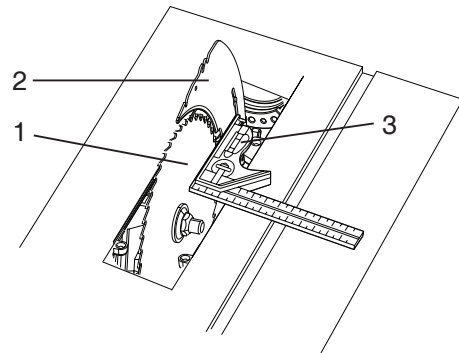
ALIGNING THE RIVING KNIFE TO BLADE (FIG Z, AA)

⚠ WARNING

- To avoid injury from an accidental start, make sure the switch is in the OFF position and the plug is disconnected from the power source outlet.
- Never operate this tool without the riving knife in the correct position.
- Never operate this tool without the blade guard in place for all through sawing operations.
- This adjustment was made at the factory, but it should be rechecked and adjusted if necessary.

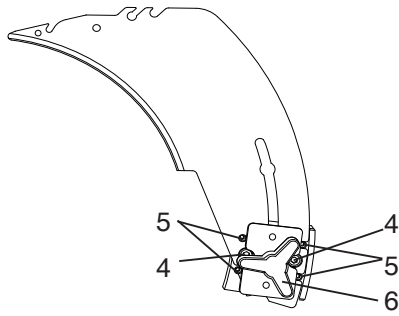
1. Remove the table insert and raise the blade to the maximum height by turning the blade elevation handwheel clockwise.
2. Remove the blade guard and anti-kickback pawl assembly.
3. Adjust the blade to the 0° vertical position by unlocking the blade tilting lock handle and turning the bevel tilting handwheel counterclockwise, and then lock into position.
4. To see if the blade (1) and riving knife (2) are correctly aligned, lay a combination square (3) along the side of the blade and against the riving knife (making sure the square is between the teeth of the blade).
5. Tilt the blade to the 45° position and check the alignment again.

Fig. Z



6. If the blade and riving knife are not correctly aligned, adjustment is needed.
7. Loosen the two larger lock screws (4). (Fig. AA)
8. Locate the four small set screws (5) adjacent to the riving knife lock knob(6). Adjust the small set screws to move the riving knife according to the position noted in step 4. Lay the combination square on the opposite side of the blade and repeat adjustment as needed. (Fig. AA)
9. Lightly tighten the two larger lock screws.
10. Place a square flat against the riving knife to verify riving knife is vertical and in line with the blade.
11. If needed, use the set screws to bring the riving knife vertical with the square.
12. Repeat steps 7 and 8 to verify position of riving knife.
13. Fully tighten the two larger lock screws.

Fig. AA



NOTE:

- This table saw is provided with a 10 in. diameter blade with a body thickness of 1.8 mm (0.07 in.) thick with a kerf of 2.6 mm (0.10 in.). The riving knife is 2.2 mm (0.09 in.) thick. The blade diameter and the blade body and kerf dimensions must be properly matched with the riving knife thickness.
- The maximum radial distance between the riving knife and the toothed rim of the saw blade is 0.12 in ~ 0.31 in. (3 mm ~ 8 mm)
- The tip of the riving knife shall not be lower than 0.04 in. ~ 0.2 in. (1 mm ~ 5 mm) from the tooth peak.
- The riving knife is thinner than the width of the kerf by approximately 1/64 in. (0.4 mm) on each side.
- The blade body must be thinner than the thickness of the riving knife but the blade kerf must be thicker than the riving knife.

BLADE GUARD ASSEMBLY (FIG. BB, CC, DD, EE)

⚠ WARNING

To avoid injury from an accidental start, make sure the switch is in the OFF position and the plug is disconnected from the power source outlet.

- When installing the blade guard, cover the blade teeth with a piece of folded cardboard to protect yourself from possible injury.
- Never operate this machine without the blade guard in place for all through sawing operations.

Installing the blade guard and anti-kickback pawl assembly (Fig. BB, CC, DD, EE)

1. Make sure the blade is elevated to its maximum height and the bevel is set at 0°. Make sure the bevel lock handle is tight.
2. Take the anti-kickback pawl assembly and lift up the locking lever (1) located on top. (Fig. BB)
3. Place the front of assembly into slot (2-Fig. BB) and push down making sure the assembly is engaged in the slots. There should be no movement of the assembly. Push down on the locking lever (1).(Fig CC)

Fig. BB

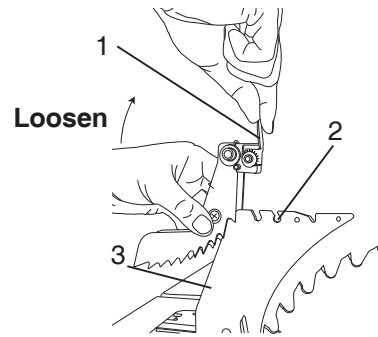
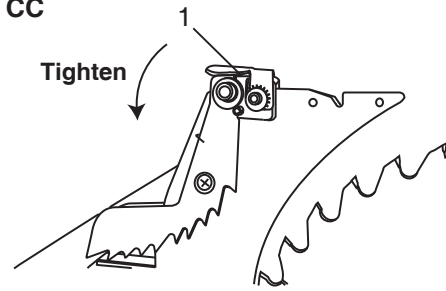
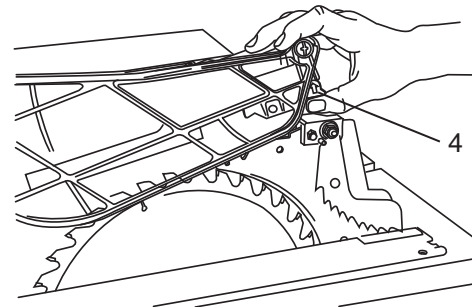


Fig. CC



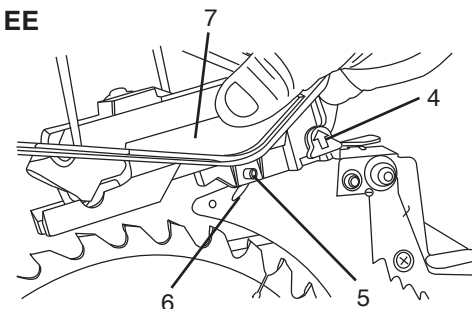
4. Take the blade guard assembly and locate the sliding locking knob (4) on the back of assembly. (Fig. DD)

Fig. DD



5. Insert the blade guard assembly onto the riving knife so that the pin (5) engages into slot (6) completely. (Fig. EE)
6. Slide the locking knob (4) up and press the guard assembly down so that the entire assembly is flat on the riving knife. Release the locking knob (4).
7. Make sure that the assembly is locked in place both in front and back.

Fig. EE



Removing the blade guard and anti-kickback pawl assembly (Fig. CC, DD)

⚠ WARNING

To avoid injury from an accidental start, make sure the switch is in the OFF position and the plug is disconnected from the power source outlet.

1. With the blade elevation handwheel raise the blade to the maximum height.
2. Loosen the blade lock handle do not pull on handle just turn and move the handwheel to 90° on the bevel scale.
3. Tighten the bevel lock handle.
4. Remove the anti-kickback pawl assembly (3) by pressing the anti-kickback pawls lever (1). (Fig. BB)
5. Remove the blade guard assembly (7) by pulling out the locking pin (4). (Fig. EE)

AVOID KICKBACKS (FIG. FF)

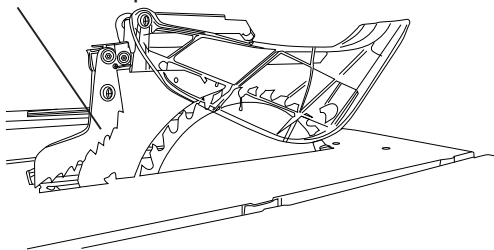
(Work thrown back towards you) by keeping the blade sharp, the rip fence parallel to the saw blade and by keeping the riving knife, anti-kickback pawls and guards in place, aligned and functioning. Do not release work before passing it completely beyond the saw blade. Do not rip work that is twisted, warped or does not have a straight edge to guide it along the fence. Do not attempt to reverse out of a cut with the blade running.

⚠ WARNING

Improper riving knife alignment can cause “kickback” and serious injury.

Fig. FF

Anti-kickback pawl



MITER GAUGE ADJUSTMENT (FIG. GG)

1. Make sure that the miter gauge bar (1) will slide freely through the table top grooves.
2. Loosen the lock knob handle (2) and turn the gauge body (3) to set the pointer (4) at 0° on the scale.
3. Make a 90° cut in a scrap piece of wood. Check the cut to see if it is 90°. If not, loosen the lock knob handle (2) and move the miter gauge body until it is

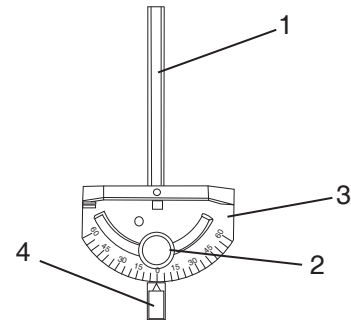
square to the miter gauge bar by using a combination square.

MITER GAUGE OPERATION (FIG. GG)

The miter gauge is accurately constructed with index stops at 0°, 15°, 30°, 45°, 60° both right and left side.

To operate the miter gauge, loosen the lock handle (2) and move the body of the miter gauge to the desired angle. The miter gauge body will stop at 0°, 15°, 30°, 45°, 60°.

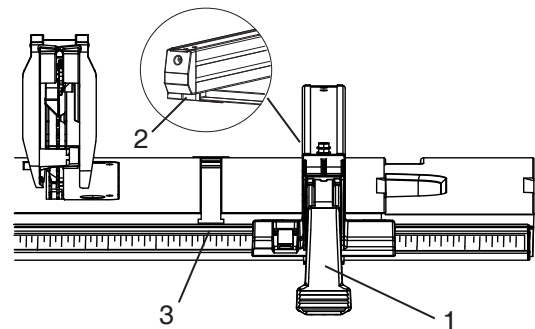
Fig. GG



RIP FENCE (FIG. HH)

1. Lift upward on the rip fence handle (1) so that the holding clamp (2) is fully extended.
2. Place the rip fence on the saw table and engage the holding clamp (2) to the table rear. Lower the front end onto the front rail (3).
3. Push down on the fence handle (1) to lock.

Fig. HH



RIP FENCE ADJUSTMENT (FIG. II)

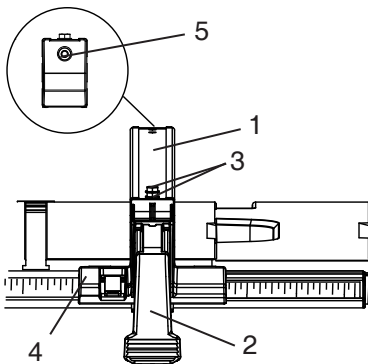
1. The fence (1) is moved by lifting up on the handle (2) and sliding the fence to the desired location. Pushing down on the handle locks the fence in position.
2. Position the fence on the right side of the table, and along one edge of the miter gauge grooves.
3. Lock the fence handle. The fence should be parallel with the miter gauge groove.

4. If adjustment is needed to make the fence parallel to the groove, do the following:
 - Loosen the two screws (3) and lift up on the handle (2).
 - Hold the fence bracket (4) firmly against the front of the saw table. Move the far end of the fence until it is parallel with the miter gauge groove.
 - Tighten both screws and push the handle to lock.
5. If fence is loose when the handle is in the locked (downward) position, do the following:
 - Move the handle (2) upward and turn the adjusting nut (5) clockwise until the rear clamp is snug. Do not turn the adjusting screw more than 1/4 turn at a time.
 - Over-tightening the adjusting screw will cause the fence to come out of alignment.

⚠ WARNING

Failure to properly align the fence can cause “kickback” and serious injury could occur.

Fig. II



RIP FENCE INDICATOR ADJUSTMENT (FIG. JJ)

NOTE: The rip fence indicator points to the scale on the front of the table saw. Measurement shown by the indicator will provide the user with accuracy up to 1/16 inch (1.6 mm). Measurement shown is the distance from the blade to the side of the fence closest to the blade.

1. To check the accuracy, measure the actual distance (1) to the side of the rip fence. If there is a difference between the measurement and the indicator, adjust the indicator as shown next.
2. Loosen the indicator screw (2). Slide the indicator to the correct measurement position on the scale, then retighten the screw (2).

Fig. JJ

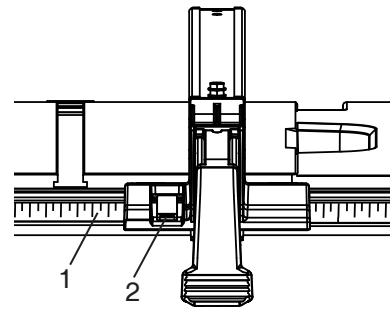
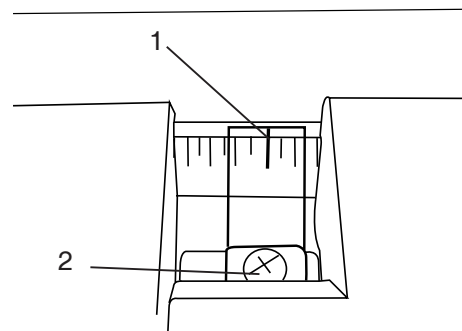


TABLE EXTENSION SCALE POINTER (FIG. KK)

The table extension scale pointer (1) should be at 13-1/2 in. (342.9 mm) on the scale when the extension is in the closed position. If not, loosen the holding screw (2), position the pointer over 13-1/2 in. (342.9 mm) and re-tighten the screw.

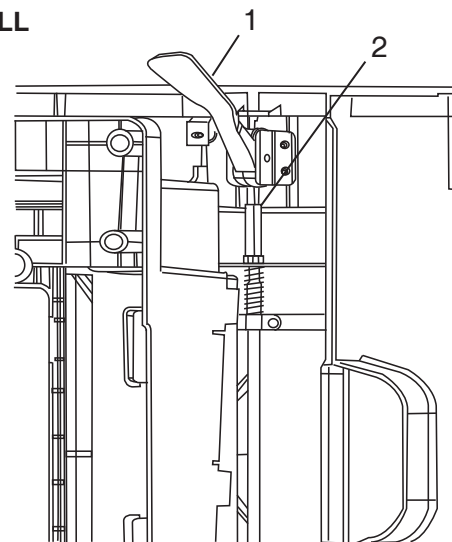
Fig. KK



ADJUSTING CAM LOCKING LEVER (FIG. LL)

If the extension table moves when it is open and locked, then the cam locking lever (1) may be loose and need adjustment, therefore, adjustment to the cam locking lever is necessary. To adjust the locking lever tension, turn the bar (2) with a 10 mm wrench until it is tightened, but do not over tighten.

Fig. LL



under table view

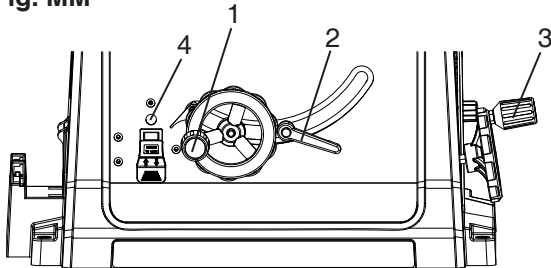
OPERATION

BASIC SAW OPERATIONS

RAISE THE BLADE (FIG. MM)

To raise or lower the blade, turn the blade elevation handwheel (1) to the desired blade height, and then tighten the bevel lock handle (2) to maintain the desired blade angle.

Fig. MM



TILTING THE BLADE (FIG. MM)

1. To tilt the saw blade for bevel cutting, loosen the bevel lock knob (2) and turn the blade tilting handwheel (3).
2. Tighten the bevel lock handle (2) to secure.

ON/OFF SWITCH (FIG. NN)

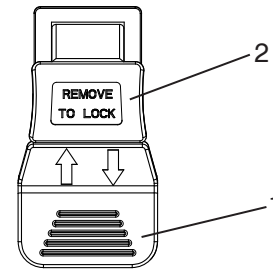
The ON / OFF switch has a removable safety key. With the key removed from the switch, unauthorized and hazardous use by children and others is minimized and the saw will not turn on.

1. To turn the saw "ON," insert the key (2) into the slot of the switch (1), and move the switch upward to the "ON" position.
2. To turn the saw "OFF," move the switch downward.
3. To lock the switch in the OFF position, grasp the sides of the safety switch key, and pull it out.
4. With the switch key removed, the switch will not operate to power the saw on.
5. If the switch key is removed while the saw is running, it can be turned "OFF" but cannot be restarted without inserting the switch key.

⚠ WARNING

ALWAYS lock the switch "OFF" when the saw is not in use. Remove the key and keep it in a safe place. In the event of a power failure, blown fuse, or tripped circuit breaker, turn the switch "OFF" and remove the key, preventing an accidental startup when power comes on.

Fig. NN



OVERLOAD PROTECTION (FIG. MM)

This saw has an overload relay button (4) that resets the motor after it shuts off due to overloading or low voltage. If the motor stops during operation, turn the ON / OFF switch to the OFF position and unplug the saw. Wait about five minutes for the motor to cool, Plug in the saw, push in the reset button (4) and turn the switch to the ON position.

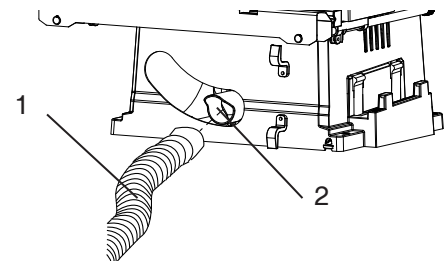
USING THE DUST PORT (FIG. OO)

⚠ WARNING

To prevent fire hazard, clean and remove sawdust from under the saw frequently.

To prevent sawdust buildup inside the saw housing, attach a vacuum hose (1) (hose is not included) to the dust port (2) at the rear of the table saw. **DO NOT** operate the saw with the hose in place unless the vacuum is turned on.

Fig. OO

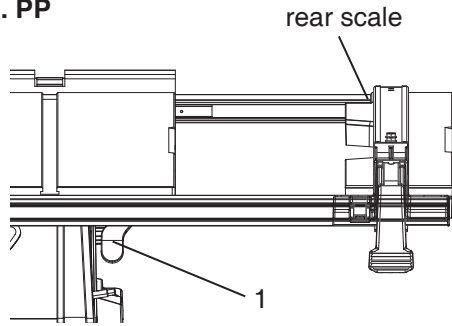


USING THE TABLE EXTENSION (FIG. PP)

NOTE: Use the scale on the front rail for rip cuts up to 13-1/2 in. (342.9 mm). For rip cuts 13-1/2 in. (342.9 mm) to 24 in. (609.6 mm), follow the below instructions.

1. Move the rip fence to the 13-1/2 in. (342.9 mm) mark on the right side of scale (this is marked with a red arrow on the scale) and lock down the fence.
2. Unlock the table extension by releasing the cam lock lever (1).
3. Slide the table extension with the fence to the desired location using the scale located on the rear rail.
4. Lock the fence into position by pressing down the cam lock lever (1).

Fig. PP



CUTTING OPERATIONS

There are two basic types of cuts: ripping and crosscutting. Ripping is cutting along the length and the grain of the workpiece. Crosscutting is cutting either across the width or across the grain of the workpiece. (It is not safe to rip or crosscut by freehand). Ripping requires the use of the rip fence, and crosscutting requires the miter gauge. **NEVER USE THE TWO AT THE SAME TIME.**

⚠ WARNING

Before using the saw each time, check the following:

1. The blade is tightened to the arbor.
2. The bevel angle lock knob is tightened.
3. If ripping, make sure the fence is locked into position and is parallel to the miter gauge groove.
4. The blade guard is in place and working properly.
5. Safety glasses are worn.

Failure to adhere to these common safety rules, and those printed in the front of this manual, can greatly increase the likelihood of injury.

RIPPING (FIG. QQ, RR)

⚠ WARNING

To prevent serious injury:

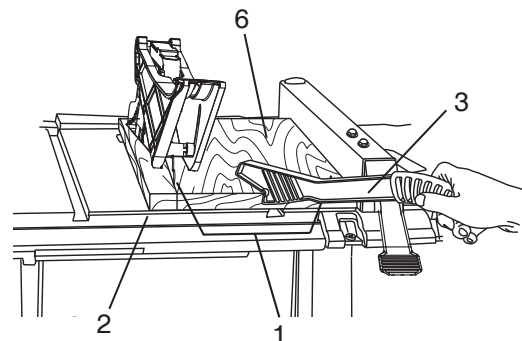
- Never use a miter gauge when ripping.
- Never use more than one rip fence during a single cut.
- Do not allow familiarity or frequent use of your table saw to cause careless mistakes. Remember that even a careless fraction of a second is enough to cause a severe injury.
- Keep both hands away from the blade and clear from the path of the blade.
- The workpiece must have a straight edge against the fence and must not be warped, twisted, or bowed when ripping.

1. Remove the miter gauge and store it in the “storage” compartment in the base of the saw.
2. Secure the rip fence to the table.
3. Raise the blade so it is about 1/8 in. higher than the top of the workpiece.
4. Place the workpiece flat on the table and against the fence. Keep the workpiece away from the blade.
5. Turn the saw ON and wait for the blade to come to full speed.
6. Slowly feed the workpiece into the blade by pushing forward only on the workpiece section (1) that will pass between the blade and the fence. (Fig. QQ)
7. Keep your thumbs off the table top. When both of your thumbs touch the front edge of the table (2), finish the cut with a push stick (3). To make an additional push stick, use the pattern on page 34. (Fig. QQ)

⚠ WARNING

AVOID KICKBACK by pushing forward on the section of the workpiece that passes between the blade and the fence. Never perform any freehand operations.

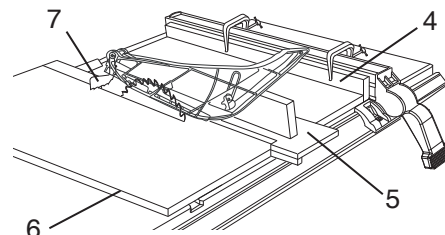
Fig. QQ



⚠ WARNING

When width or rip is narrower than 2 in. (50.8 mm) the push stick cannot be used because the blade guard will interfere. Use the auxiliary fence (4) and push block (5) as shown.

Fig. RR



8. Continue pushing the workpiece (6) with the push stick (3-Fig. QQ) or push block until it passes through the blade guard and clears the rear of the table. (Fig. RR)
9. Never pull the piece back when the blade is turning. Turn the switch OFF. When the blade completely stops, you can then remove the workpiece.

⚠ WARNING

Never attempt to pull the workpiece backwards during a cutting operation. This will cause kickback and serious injury to the user can occur. When the blade completely stops, raise the anti-kickback pawls (7) on each side of the riving knife and slide the workpiece out.

BEVEL RIPPING

This cut is the same as ripping except the blade bevel angle is set to an angle other than 0°.

RIPPING SMALL PIECES

To avoid injury from blade contact, never make cuts narrower than 3/4 in. (19 mm) wide.

1. It is unsafe to rip small pieces. Instead, rip a larger piece to obtain the size of the desired piece.
2. When a small width is to be ripped, and your hand cannot be safely put between the blade and the rip fence, use push stick or push block to pass the workpiece completely through and past the blade.

HELPFUL DEVICES

In order to make some cuts, it is necessary to use devices like, a push block, featherboard or auxiliary fence, which you can make yourself. Here are some templates for your reference.

FEATHERBOARD (FIG. SS, TT)

A featherboard is a device used to help control the workpiece by guiding it securely against the table or fence. Featherboards are especially useful when ripping small workpieces and for completing non-through cuts. The end is angled with a number of short kerfs to give a friction hold on the workpiece and locked in place on the table with C-clamps. Test that it can resist kickback.

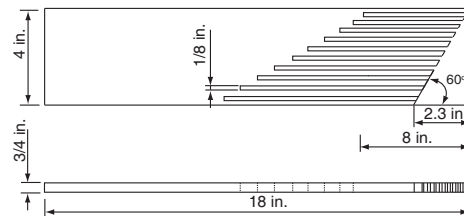
⚠ WARNING

Place the featherboard against the uncut portion of the workpiece to avoid kickback that could cause serious personal injury.

MAKE A FEATHERBOARD (FIG. SS)

Select a solid piece of lumber approximately 3/4 in. (19 mm) thick, 4 in. (101.6 mm) wide and 18 in. (457.2 mm) long. To make a featherboard, cut one end of the lumber at 60 degrees, then cut 8 in. (203.2 mm) - long slots 1/4 in. (6.4 mm) apart on the angled end. (Fig. SS)

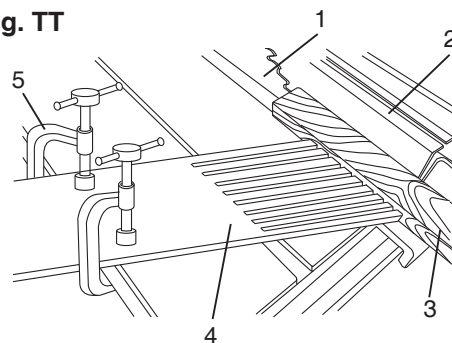
Fig. SS



USING A FEATHERBOARD (FIG. TT)

1. Lower the saw blade (1).
2. Position the rip fence (2) to the desired adjustment and lock the rip fence.
3. Place the workpiece (3) against the fence and over the saw blade area.
4. Adjust the featherboard (4) to resist the workpiece forward of the blade.
5. Attach the C-clamps (5) to secure the featherboard to the edge of the table.

Fig. TT



AUXILIARY FENCE (FIG. UU)

Making the base:

- Start with a piece of 3/8 in. (9.5 mm) plywood at least 5-1/2 in. (139.7 mm) wide or wider and 21 in. (533.4 mm) long or longer.
- Cut the piece to shape and size shown:

Making the side:

- Start with a piece of 3/4 in. (19 mm) hardwood at least 1-3/4 in. (44.5 mm) wide or wider and 21 in. (533.4 mm) long or longer.
- Cut the piece to shape and size shown:

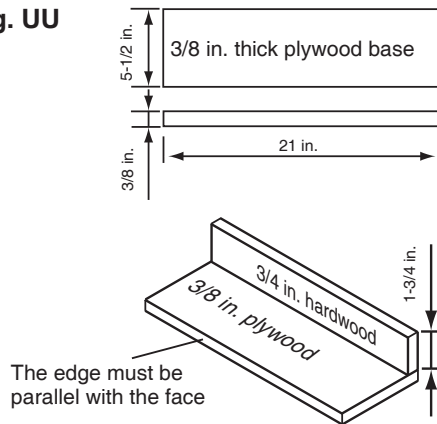
Putting it together:

- Fasten the pieces together with glue and woodscrews.

⚠ WARNING

Make sure the screw heads do not stick out from the bottom of the base, they must be flush or recessed. The bottom must be flat and smooth enough to rest on the saw table without rocking.

Fig. UU



PUSH BLOCK

Use for ripping operation when the workpiece is too narrow to use a push stick. Always use a push block for rip widths less than 2 inches (50.8 mm).

MAKE A PUSH BLOCK (FIG. VV)

Making the base:

- Start with a 3/8 in. (9.5 mm) plywood at least 5-1/2 in. (139.7 mm) wide or wider and 12 in. (305 mm) long or longer.
- Cut the piece to shape and size as shown.

Making the handle:

- Start with a 3/4 in. (19 mm) hardwood at least 5 in. (127 mm) wide or wider and 7 in. (177.8 mm) long or longer.
- Cut the piece to shape and size as shown.

Making the bracket:

- Start with a 3/8 in. (9.5 mm) wood at least 3/8 in. (9.5 mm) wide or wider and 2-1/2 in. (63.5 mm) long or longer.
- Cut the piece to shape and size as shown.

Putting it together:

- Fasten the base and handle together with glue and woodscrews.

⚠ WARNING

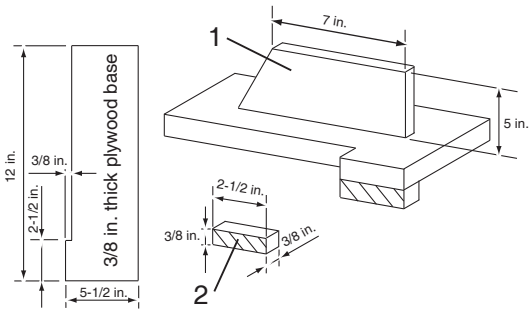
Make sure the screw heads do not stick out from the bottom of the base, they must be flush or recessed.

- Fasten the base and bracket together with glue.

⚠ WARNING

To avoid injury, do not use the screws to fasten the base and bracket.

Fig. VV



CROSSCUTTING (FIG. WW)

⚠ WARNING

To prevent serious injury:

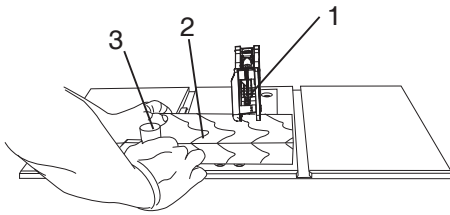
- Do not allow familiarity or frequent use of your table saw to cause careless mistakes. Remember that even a careless fraction of a second is enough to cause a severe injury.
- Keep both hands away from the blade and the path of the blade.
- Never attempt to pull the workpiece backwards during a cutting operation. This will cause kickback and serious injury to the user can occur.

1. Remove the rip fence and place the miter gauge in the miter gauge groove on the table.
2. Adjust the blade height so that it is 1/8 in. (3.2 mm) higher than the top of the workpiece.
3. Hold the workpiece firmly against the miter gauge with the blade path in line with the desired cut location. Move the workpiece to a 1 in. (25.4 mm) distance from the blade.
4. Start the saw and wait for the blade (1) to come up to full speed. Never stand directly in line of the saw blade path, always stand to the side of the blade that you are cutting on.
5. Keep the workpiece (2) against the face of the miter gauge (3) and flat against the table. Then slowly push the workpiece through the blade.
6. Do not try to pull the workpiece back with the blade turning. Turn the switch OFF, and carefully slide the workpiece out when the blade has completely stopped.

⚠ WARNING

Always position the larger surface of the workpiece on the table when crosscutting and/or bevel crosscutting to avoid instability.

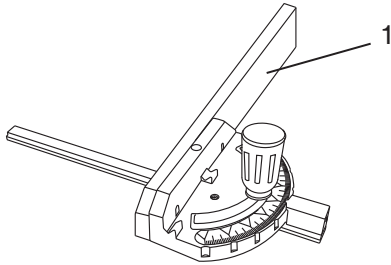
Fig. WW



USING THE WOOD FACING ON THE MITER GAUGE (FIG. XX)

Slots are provided in the miter gauge for attaching an auxiliary facing (1) to make it easier to cut very long or short pieces. Select a suitable piece of smooth wood, drill two holes through it and attach it to the miter gauge with screws. Make sure the facing does not interfere with the proper operation of the saw blade guard. When cutting long workpieces, you can make a simple outfeed support by clamping a piece of plywood to a sawhorse.

Fig. XX



BEVEL CROSSCUTTING (FIG. YY)

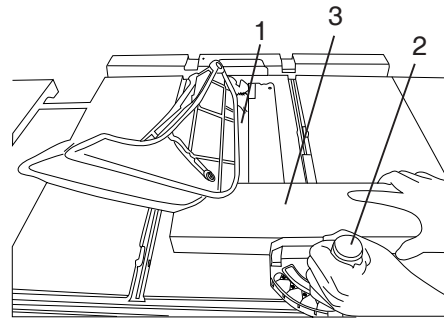
0°~45° BLADE BEVEL & 90° MITER ANGLE. This cutting operation is the same as crosscutting except the blade is at a bevel angle other than 0°.

⚠ WARNING

Always work to the right side of the blade during this type of cut. The miter gauge must be in the right side groove because the bevel angle may cause the blade guard to interfere with the cut if used on the left side groove.

1. Lower the blade to the down position.
2. Adjust the blade (1) to the desired angle, and tighten the blade bevel lock knob.
3. Tighten the miter lock handle (2) at 90°.
4. Hold workpiece (3) firmly against the face of the miter gauge throughout the cutting operation.

Fig. YY



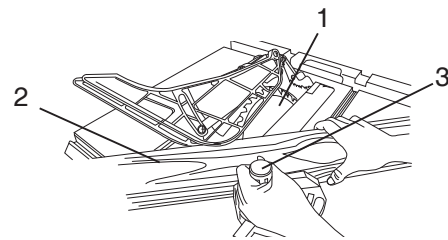
COMPOUND MITER CROSSCUTTING (FIG. ZZ)
0°~45° BLADE BEVEL & 0°~45° MITER ANGLE

⚠ WARNING

Always work to the right side of the blade during this type of cut. The miter gauge must be in the right side groove because the bevel angle may cause the blade guard to interfere with the cut if used on the left side groove.

1. Set the miter gauge (3) to the desired angle.
2. Place the miter gauge in the right side groove of the table.
3. Set the blade (1) bevel to the desired bevel angle and tighten the blade bevel lock knob.
4. Hold workpiece (2) firmly against the face of the miter gauge throughout the cutting operation.

Fig. ZZ



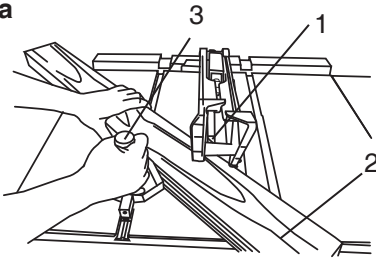
MITERING (FIG. aa)

0°~45° MITER ANGLE

This sawing operation is the same as crosscutting except the miter gauge is locked at an angle other than 90°.

1. Set the blade (1) to 0° bevel angle and tighten the blade bevel lock knob.
2. Set the miter gauge (3) at the desired miter angle and lock in position by tightening the miter gauge locking handle.
3. Hold the workpiece (2) firmly against the face of the miter gauge throughout the cutting operation.

Fig. aa

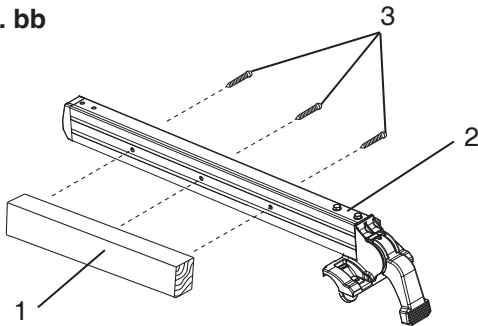


USING THE WOOD FACING ON THE RIP FENCE (FIG. bb)

When performing some special cutting operations, you can add a wood facing to either side of the rip fence (2).

1. Use a smooth straight 3/4 in. (19 mm) thick wood board (1) that is as long as the rip fence.
2. Attach the wood facing to the fence with wood screws (3) (not included) through the holes in the fence. A wood fence should be used when ripping material such as thin paneling to prevent the material from catching between the bottom of the fence and the table.

Fig. bb



NON-THROUGH CUT (FIG. cc)

A non-through cut is used to cut grooves and rabbets in the workpiece without exposed the blade.

⚠ WARNING

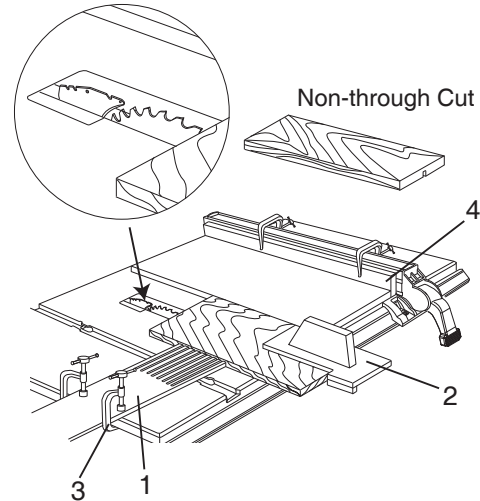
- Only this type cut is made without installing the blade guard and anti-kickback pawl assembly.
- To avoid injury from an accidental start, make sure the switch is in the OFF position and the plug is disconnected from the power source outlet.
- To avoid the risk of personal injury. Always use push block, auxiliary fence and featherboard when making non-through cut.

1. Before starting the table saw, lower the blade and riving knife assembly to the down position.
2. Remove the blade guard assembly and anti-kickback pawls assembly for non-through cut.
3. Use the featherboard (1) with C-clamps (3) to fasten the workpiece securely.

4. Mount the auxiliary fence (4) with C-clamps.
5. Use the push block (2) to move the workpiece.

NOTE: Mount the featherboard to table as shown, so the leading edges of featherboard will help workpiece complete cutting.

Fig. cc



DADO CUTS (FIG. dd, ee)

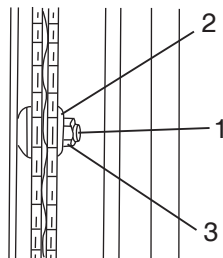
⚠ WARNING

- Only Stackable dado blades can be used on this saw.
- DO NOT use Adjustable or Wobble type dados.
- The maximum dado cut width is 1/2 in. (12.7 mm).
- The maximum dado blade diameter is 6 in. (152.4 mm).

1. To perform dado cutting with a stacked dado blade set a special insert must be used. See page 31 and 33 for ordering information. Remove the saw blade, original table insert and blade guard. Install the dado and dado blade insert.
2. Instruction for operating the dado is packed with the separately purchased dado set. (not included with unit)
3. The arbor (1) on this saw restricts the maximum width of the cut to 1/2 in. (12.7 mm).
4. When making full 1/2 in. (12.7 mm) dado cuts, it is not necessary to install the outside flange (2) before screwing on the arbor nut (3). Make sure that the arbor nut (3) is tight, and that at least one thread of the arbor sticks out past the nut.
5. Do not exceed 6 inches (152.4 mm) diameter dados and keep the width 1/2 in. (12.7 mm) or less. It will be necessary to remove the blade guard and riving knife when using a dado blade. Always use caution when operating a dado blade.

6. Use only the correct number of round outside blades and inside chippers as shown in the dado set's instruction manual. Blade or chipper must not exceed 1/2 inch (12.7 mm).
7. Check saw to ensure that the dado will not strike the housing, insert, or motor when in operation.

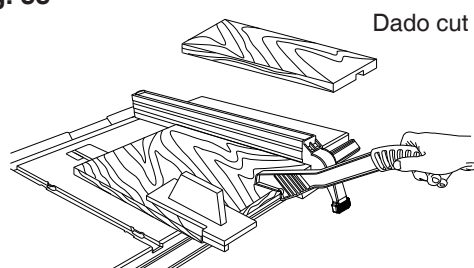
Fig. dd



! WARNING

For your own safety, always replace the blade, blade guard assembly, anti-kickback pawl assembly, riving knife assembly and table insert after finishing a dado operation.

Fig. ee



MAINTENANCE

MAINTAINING YOUR TABLE SAW

GENERAL MAINTENANCE

⚠ WARNING

ALWAYS use safety glasses. Everyday eyeglasses are NOT safety glasses. Also use face or dust mask if cutting operation is dusty. ALWAYS WEAR CERTIFIED SAFETY EQUIPMENT:

- ANSI Z87.1 eye protection (CAN/CSA Z94.3),
- ANSI S12.6 (S3.19) hearing protection,
- NIOSH/OSHA/MSHA respiratory protection.

⚠ WARNING

For your own safety, turn the switch OFF and remove the switch key. Remove the plug from the power source outlet before maintaining or lubricating your saw.

1. Clean out all sawdust that has accumulated inside the saw cabinet and the motor.
2. Polish the saw table with an automotive wax to keep it clean and to make it easier to slide the workpiece.
3. Clean cutting blades with pitch and gum remover.
4. A worn, cut, or damaged power cord should be replaced immediately.

⚠ WARNING

All electrical or mechanical repairs should be attempted only by a trained repair technician. Contact customer service for assistance. Use only identical replacement parts. Any other parts may create a hazard.

5. Use only mild soap and a damp cloth to clean the tool. Never let any liquid get inside the tool; never immerse any part of the tool into a liquid.

NOTE: Certain cleaning chemicals can damage plastic parts.

6. Avoid use of cleaning chemicals or solvents, ammonia and household detergents containing ammonia.

⚠ WARNING

IMPORTANT: To assure product SAFETY and RELIABILITY, repairs, maintenance and adjustment (other than those listed in this manual) should be performed by authorized service centers or other qualified service organizations, always using identical replacement parts.

LUBRICATION

Ball bearings in the table saw are packed with grease at the factory and require no further lubrication.

REPLACING THE CARBON BRUSHES (FIG. ff)

⚠ WARNING

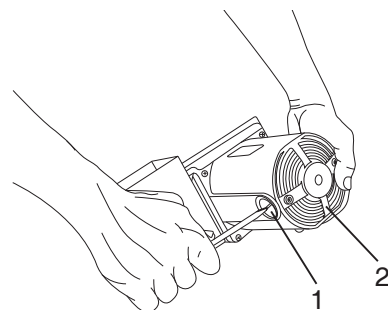
Always disconnect the plug from the power source before inspecting the brushes.

The carbon brushes included with the unit will last approximately 50 hours of running time, or 10,000 ON/OFF cycles. Replace both carbon brushes when either has less than 1/4 in. (6.4 mm) length of carbon remaining, or if the spring or wire is damaged or burned.

1. Remove the blade guard, blade, rip fence, miter gauge and stand assembly from the table saw.
2. Lower the blade height to its minimum setting. This will make the brushes's location easier to access.
3. Place cardboard or an old blanket on the floor to protect the saw table surface.
4. Place the saw upside down on the protective material.
5. Tilt the blade elevation/tilting handwheel to the 45° position.
6. Remove the black plastic cap (1) from the side of the motor (2).
7. Carefully remove the spring-loaded cap, and then pull out the brush and replace.
8. Replace the other side.
9. The ears on the metal end of the assembly go in the same hole the carbon part fits into. Do not overtighten the plastic cap.
10. Carefully set the saw in a upright position on a clean level surface.
11. Replace the blade guard, blade, rip fence, miter gauge and stand assembly to the table saw.

NOTE: To reinstall the same brushes, first make sure the brushes go back in the way they came out. This will avoid a break-in period that reduces motor performance and increases wear.

Fig. ff



TROUBLESHOOTING GUIDE

WARNING

To avoid injury from an accidental start, turn the switch OFF and always remove the plug from the power source before making any adjustments.

REPLACEMENT PARTS

Use only identical replacement parts. For a parts list or to order parts, visit our service website at www.portercable.com. You can also order parts from your nearest Porter-Cable Factory Service Center or Porter-Cable Authorized Warranty Service Center. Or, you can call our Customer Care Center at (888) 609-9779.

SERVICE AND REPAIRS

All quality tools will eventually require servicing and/or replacement of parts. For information about Porter-Cable, its factory service centers or authorized warranty service centers, visit our website at www.portercable.com or call our Customer Care Center at (888) 609-9779. All repairs made by our service centers are fully guaranteed against defective material and workmanship. We cannot guarantee repairs made or attempted by others.

You can also write to us for information at Power Tool Specialists, Inc. 684 Huey Road, Rock Hill, SC 29730, - Attention: Product Service. Be sure to include all of the information shown on the nameplate of your tool (model number, type, serial number, etc.).

PROBLEM	POSSIBLE CAUSES	CORRECTIVE ACTION
Saw will not start.	<ol style="list-style-type: none"> 1. Saw is not plugged in. 2. Fuse blown or circuit breaker tripped. 3. Cord is damaged. 	<ol style="list-style-type: none"> 1. Plug in saw. 2. Replace fuse or reset circuit breaker. 3. Have cord replaced by Porter-Cable Service Center or Authorized Service Station.
Does not make accurate 45° and 90° rip cuts.	<ol style="list-style-type: none"> 1. Positive stop not adjusted correctly. 2. Tilt angle pointer not set accurately. 	<ol style="list-style-type: none"> 1. Check blade with square and adjust positive stop. 2. Check blade with square and adjust to zero.
Material pinched blade when ripping.	<ol style="list-style-type: none"> 1. Rip fence not aligned with blade. 2. Warped wood, edge against fence is not straight. 	<ol style="list-style-type: none"> 1. Check and adjust rip fence. 2. Select another piece of wood.
Material binds on riving knife.	<ol style="list-style-type: none"> 1. Riving knife not aligned correctly with blade. 	<ol style="list-style-type: none"> 1. Check and align riving knife with blade.
Saw makes unsatisfactory cuts.	<ol style="list-style-type: none"> 1. Dull blade. 2. Blade mounted backwards. 3. Gum or pitch on blade. 4. Incorrect blade for work being done. 5. Gum or pitch on blade causing erratic feed. 	<ol style="list-style-type: none"> 1. Replace blade. 2. Turn the blade around. 3. Remove blade and clean with turpentine and coarse steel wool. 4. Change the blade. 5. Clean table with turpentine and steel wool.

PROBLEM	POSSIBLE CAUSES	CORRECTIVE ACTION
Material kicked back from blade.	<ol style="list-style-type: none"> 1. Rip fence out of adjustment. 2. Riving knife not aligned with blade. 3. Feeding stock without rip fence. 4. Riving knife not in place. 5. Dull blade. 6. The operator letting go of material before it is past saw blade. 7. Miter angle lock knob is not tight. 	<ol style="list-style-type: none"> 1. Align rip fence with miter gauge slot. 2. Align riving knife with blade. 3. Install and use rip fence. 4. Install and use riving knife. (with guard) 5. Replace blade. 6. Push material all the way past saw blade before releasing work. 7. Tighten knob.
Blade does not raise or tilt freely.	<ol style="list-style-type: none"> 1. Sawdust and dirt in elevation/tilting mechanisms. 	<ol style="list-style-type: none"> 1. Brush or blow out loose dust and dirt.
Blade does not come up to speed. Reset trips too easily.	<ol style="list-style-type: none"> 1. Extension cord too light or too long. 2. Low house voltage. 	<ol style="list-style-type: none"> 1. Replace with adequate size cord. 2. Contact your electric company.
Machine vibrates excessively.	<ol style="list-style-type: none"> 1. Saw not mounted securely to workbench. 2. Bench on uneven floor. 3. Damaged saw blade. 	<ol style="list-style-type: none"> 1. Tighten all mounting hardware. 2. Reposition on flat level surface. 3. Replace blade.
Does not make accurate 45° and 90° crosscuts.	<ol style="list-style-type: none"> 1. Miter gauge out of adjustment. 	<ol style="list-style-type: none"> 1. Adjust miter gauge.

For assistance with your product, visit our website at www.portercable.com for a list of service centers, or call the Porter-Cable Customer Care Center at (888) 609-9779.

ACCESSORIES AND ATTACHMENTS

AVAILABLE ACCESSORIES

WARNING

Since accessories, other than those offered by Porter-Cable, have not been tested with this product, use of such accessories with this tool could be hazardous. To reduce the risk of injury, only Porter-Cable recommended accessories should be used with this product.

2UUW DADO INSERT PLATE

A complete line of accessories is available from your Porter-Cable Factory Service Center or a Porter-Cable Authorized Warranty Service Center. Please visit our Web Site www.portercable.com for a catalog or for the name of your nearest supplier.

WARNING

Do not use any accessory unless you have completely read the Instruction Manual for that accessory.

WARNING

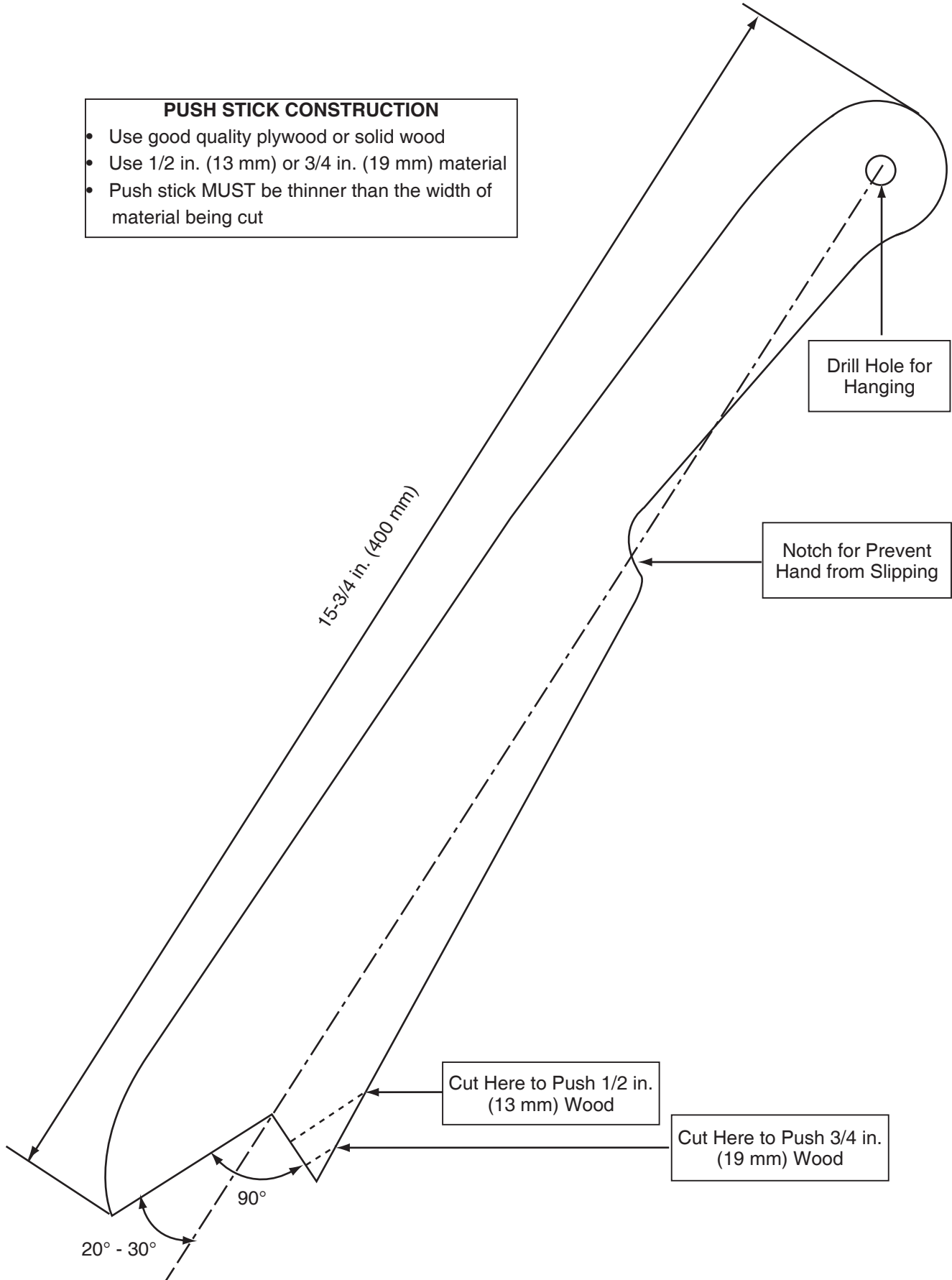
To avoid the risk of personal injury:

- Do not use a dado with a diameter larger than 6 in. (152.4 mm).
- Maximum dado width is 1/2 in. (12.7 mm). **DO NOT USE WIDER COMBINATIONS.**
- Do not use molding head set with this saw.
- Do not modify this power tool.

PUSH STICK PATTERN

PUSH STICK CONSTRUCTION

- Use good quality plywood or solid wood
- Use 1/2 in. (13 mm) or 3/4 in. (19 mm) material
- Push stick MUST be thinner than the width of material being cut



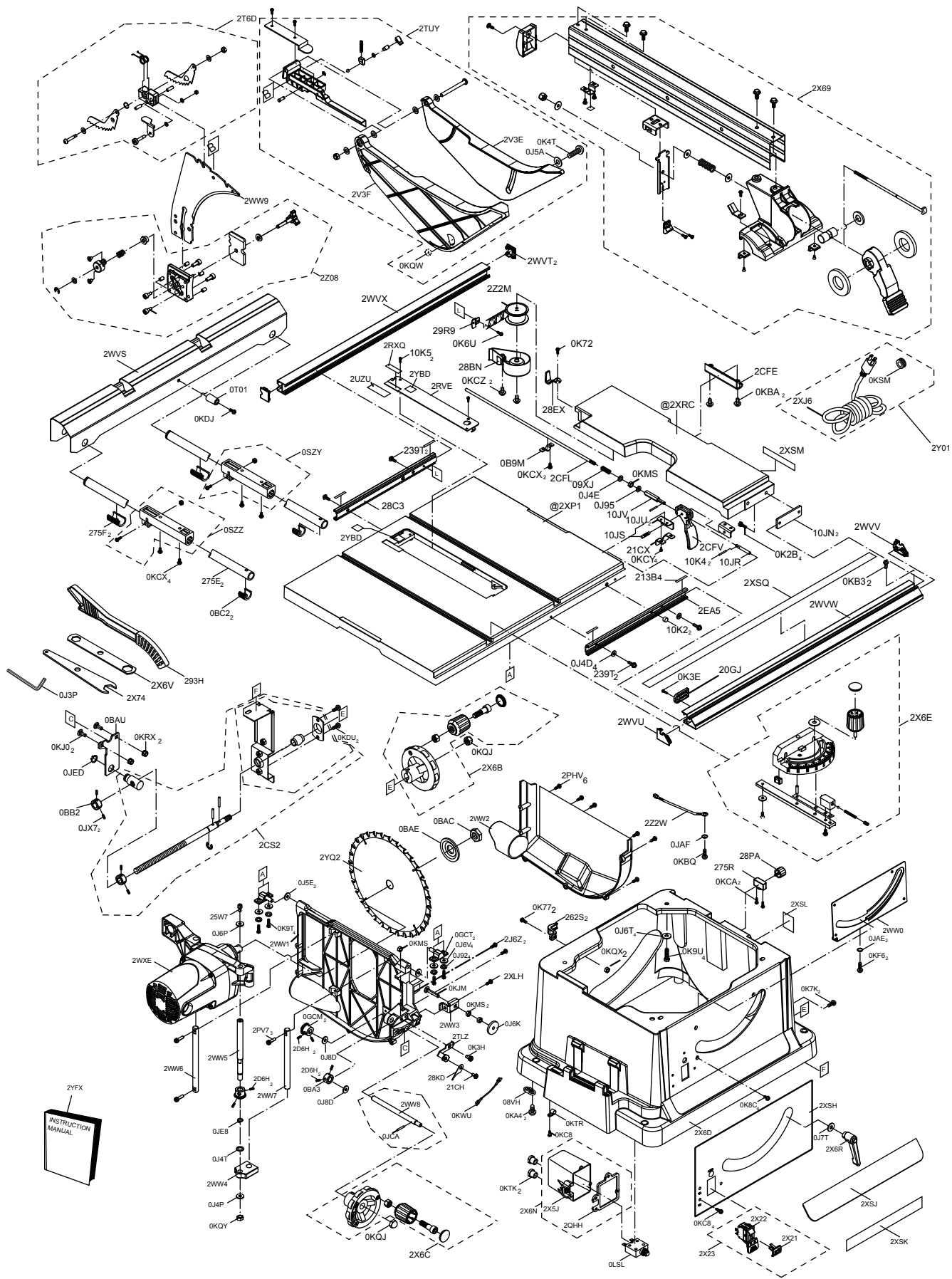
PARTS LIST

10 IN. (254 MM) JOBSITE TABLE SAW

PARTS LIST FOR JOBSITE TABLE SAW

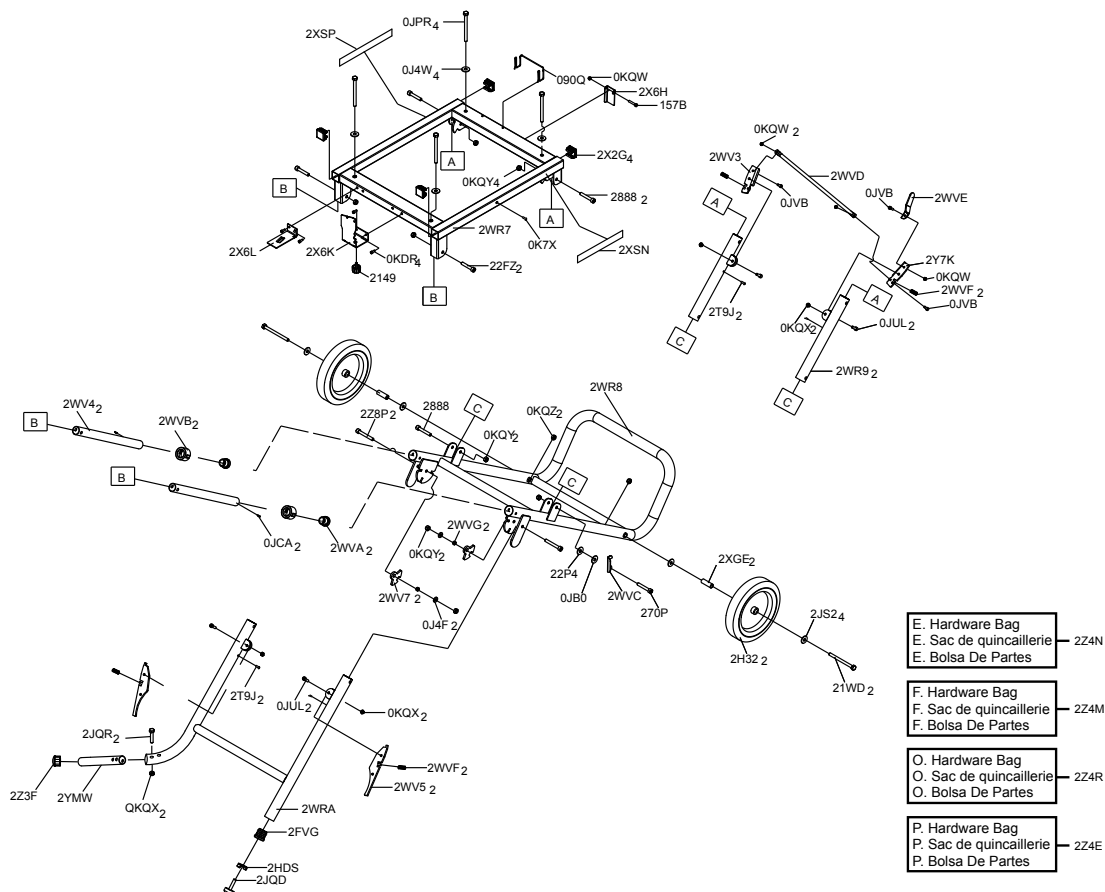
I.D.	Description	Size	Qty	I.D.	Description	Size	Qty	I.D.	Description	Size	Qty
08VH	CORD CLAMP		1	0KF6	CR. RE. PAN HD. SCREW	M4*0.7-8	2	2T6D	ANIT-KICKBACK PAWL ASS'Y		1
09XJ	COMPRESSION SPRING		1	0KJ0	CAP HD. SQ.NECK BOLT	M6*1.0-16	2	2TJ9	FLAT WASHER	φ6*13-0.5	2
0B9M	STRAP		1	0KJM	CAP HD. SQ.NECK BOLT	M6*1.0-30	1	2TLZ	POINTER BRACKET		1
0BA3	ANCHOR BLOCK		1	0KMS	HEX. NUT	M6*1.0 T=5	4	2TUY	BLADE GUARD ASS'Y		1
0BAC	SET NUT		1	0KQJ	CROWN NUT	M8*1.25 T=12.5	2	2UZU	SPACER		1
0BAE	ARBOR COLLAR		1	0KQW	LOCK NUT	M5*0.8 T=5	1	2V3E	BLADE GUARD(RIGHT)		1
0BAU	SUPPORTING PLATE		1	0KQX	NUT	M6*1.0 T=6	2	2V3F	BLADE GUARD(LEFT)		1
0BB2	LOCATING RING		1	0KQY	LOCK NUT	M5*1.25 T=8	1	2WVS	EXTENTION WING (REAR)		1
0BC2	LOCATION SEAT		2	0KRX	HEXAGON NUT AND FLAT WASHER	M6*1.0	2	2WVT	REAR SIDE COVER		2
0GCM	BEVEL GEAR		2	0KSM	STRAIN RELIEF		1	2WVU	FRONT SIDE COVER (L)		1
0GCT	PIVOT-SUPPORT		2	0KTK	STRAIN RELIEF		2	2WVV	FRONT SIDE COVER (R)		1
0J3P	HEX WRENCH		1	0KTR	CABLE CLAMP		1	2WVW	RAIL (FRONT)		1
0J4D	FLAT WASHER	φ5*10-1	4	0KWU	LEAD WIRE ASS'Y		1	2WVX	RAIL (REAR)		1
0J4E	FLAT WASHER	φ6*13-1	1	0LSL	CIRCUIT BREAKER SWITCH		1	2WW0	RETAINING CLIP		1
0J4P	FLAT WASHER	φ8*16-1.4	1	0SZY	SLIDING BASE ASS'Y		1	2WW1	BODY		1
0J4T	FLAT WASHER	φ10*16-1	1	0SZZ	SLIDING BASE ASS'Y		1	2WW2	DUST COLLECTOR	#6	1
0J5A	FLAT WASHER	φ5*16-2	1	0T01	RUBBER PAD		1	2WW3	CLAMPER BRACKET		1
0J5E	FLAT WASHER	φ8*15-1	2	10JN	SET PLATE		2	2WW4	ANCHOR BLOCK		1
0J6K	FLAT WASHER	φ6*30-4	1	10JR	LOCATING BAR		1	2WW5	HEIGHT WORM		1
0J6P	FLAT WASHER	φ6*16-2	1	10JS	ROLL PIN		1	2WW6	CLAMP BAR		1
0J6T	FLAT WASHER	3/16*3/4-1/16	4	10JU	ANCHOR PLATE		2	2WW7	CLAMP		1
0J6V	FLAT WASHER	3/16*3/8-0.022	4	10JV	LOCATING BAR		1	2WW8	HEIGHT REGULATING BOLT		1
0J7T	FLAT WASHER	1/4*29/32-1/16	1	10K2	BUSH		2	2WW9	RIVING KNIFE		1
0J8D	FLAT WASHER	3/8*3/4-5/64	2	10K4	PARALLEL PIN		2	2WXE	MOTOR ASS'Y		1
0J92	SPRING WASHER	φ5	4	10K5	HEX. SOC. HD. CAP BOLT	M5*0.8-8	2	2X21	SWITCH KEY		1
0J95	SPRING WASHER	φ6	1	20GJ	BRACKET STOP		1	2X22	ROCKER SWITCH ELEMENT		1
0JAE	EXTERNAL TOOTH LOCK WASHER	φ4	2	213B	SPACER	40*5	4	2X23	ROCKER SWITCH		1
0JAF	EXTERNAL TOOTH LOCK WASHER	φ5	1	21CH	CR.RE. PAN HD. SCREW & WASHER	M5*0.8-10	1	2X5J	SWITCH BOX		1
0JCA	SPRING PIN	3-24	1	21CX	FOLLOWER PLATE		1	2X69	RIP FENCE ASS'Y		1
0JE8	C-RING		1	239T	CR.RE. PAN HEAD TAPPING & WASHER SCREW	M5*0.8-16	4	2X6B	HAND WHEEL ASS'Y		1
0JED	C-RING		1	25W7	HEX.SOC. HD.CAP SCREW	M5*0.8-12	1	2X6C	HAND WHEEL ASS'Y		1
0JX7	HEX. SOC. SET SCREW	M6*1.0-6	2	262S	POWER CORD CLAMP		2	2X6D	BODY SHELL		1
0K2B	HEX SOC. HD. CAP SCREW	M6*1.0-16	4	275E	EXTENSION TUBE		2	2X6E	MITER GAUGE ASS'Y		1
0K3E	CR.RE. PAN HD. SCREW & WASHER	M5*0.8-10	1	275F	LOCATION SEAT		2	2X6N	SWITCH BOX ASS'Y		1
0K3H	CR.RE. PAN HD. SCREW & WASHER	M6*1.0-12	1	275R	LOCATION SEAT		1	2X6R	LOCKING HANDLE ASS'Y		1
0K4T	CR.-RE. TRUSS HD. SCREW	M5*0.8-20	1	28BN	COVER		1	2X6V	WRENCH HEX.		1
0K6U	CR.-RE. TRUSS HD. SCREW	M4*0.7-8	1	28C3	RACK		1	2X74	WRENCH		1
0K72	CR.-RE. TRUSS HD. SCREW	M5*0.8-12	1	28EX	NEEDLE POINTER		1	2XJ6	POWER CABLE		1
0K77	CR.-RE. TRUSS HD. SCREW	M6*1.0-23	2	28KD	TILT POINTER	#GM	1	2XLH	HEX.SOC. HD.CAP BOLT	M6*1.0-16	1
0K7K	CR. RE. ROUND WASHER HD. SCREW	M6*1.0-12	2	28PA	KNOB		1	2XP1	TABLE	#GL	1
0K8C	CR. RE.COUNT HD. TAPPING SCREW	M4*18-10	4	293H	PUSH STICK		1	2XRC	EXTENSION TABLE	#GL	1
0K9T	HEX. HD. TAPPING SCREW	M5*16-16	4	29R9	CUSHION		1	2XSH	LABEL		1
0K9U	HEX. HD. TAPPING SCREW	M5*16-25	4	2CFE	HANDLE		1	2XSJ	LABEL		1
0KA4	CR.RE. PAN HD. TAPPING SCREW	M4*16-16	2	2CFL	LOCATING BAR		1	2XSK	WARNING LABEL		1
0KB3	CR.RE. PAN HD. TAPPING SCREW	M4*18-8	2	2CFV	HANDLE	#GL	1	2XSL	STICKER		1
0KBA	CR.RE. PAN HD. TAPPING SCREW	M5*16-12	2	2CS2	BEVEL ANGLE ADJUSTMENT ASS'Y		1	2XSM	LABEL		1
0KBQ	CR.RE. PAN HD. TAPPING SCREW	M5*16-10	1	2D6H	HEX.SOC. SET SCREW	M6*1.0-6	6	2XSQ	SCALE		1
0KC8	CR. RE. TRUSS HD. TAPPING SCREW	M4*16-16	5	2EA5	RACK(FRONT)		1	2Y01	POWER CABLE ASS'Y		1
0KCA	CR. RE. TRUSS HD. TAPPING SCREW	M5*12-12	2	2J6Z	HEX.SOC. HD.CAP BOLT	M5*0.8-10	2	2YBD	WARNING LABEL		2
0KCX	CR. RE. PAN HD PLAIN WASHER TAPPING SCREW	M5*0.8-10	6	2PHV	CR.RE. PAN HD. TAPPING SCREW	M5*16-12	6	2YFX	INSTRUCTION MANUAL		1
0KCY	CROSS-RECESSED PAN HD PLAIN WASHER TAPPING SCREW	M5*0.8-12	4	2PV7	HEX.SOCKET HD.CAP SCREWS	M5*0.8-18	3	2YQ2	BLADE		1
0KCZ	CROSS-RECESSED PAN HD PLAIN WASHER TAPPING SCREW	M5*0.8-16	2	2QHH	DUST GUARD		1	2Z08	PLUNGER HOUSING ASS'Y		1
0KDJ	CR. RE. PAN HD. SCREW	M5*0.8-12	1	2RVE	INSERT	#GM	1	2Z2M	SCALE ASS'Y		1
0KDU	CR. RE. PAN HD. SCREW	M6*1.0-12	2	2RXQ	SPACER		2	2Z2W	LEAD WIRE ASS'Y		1

10 IN. (254 MM) JOBSITE TABLE SAW SCHEMATIC FOR JOBSITE TABLE SAW



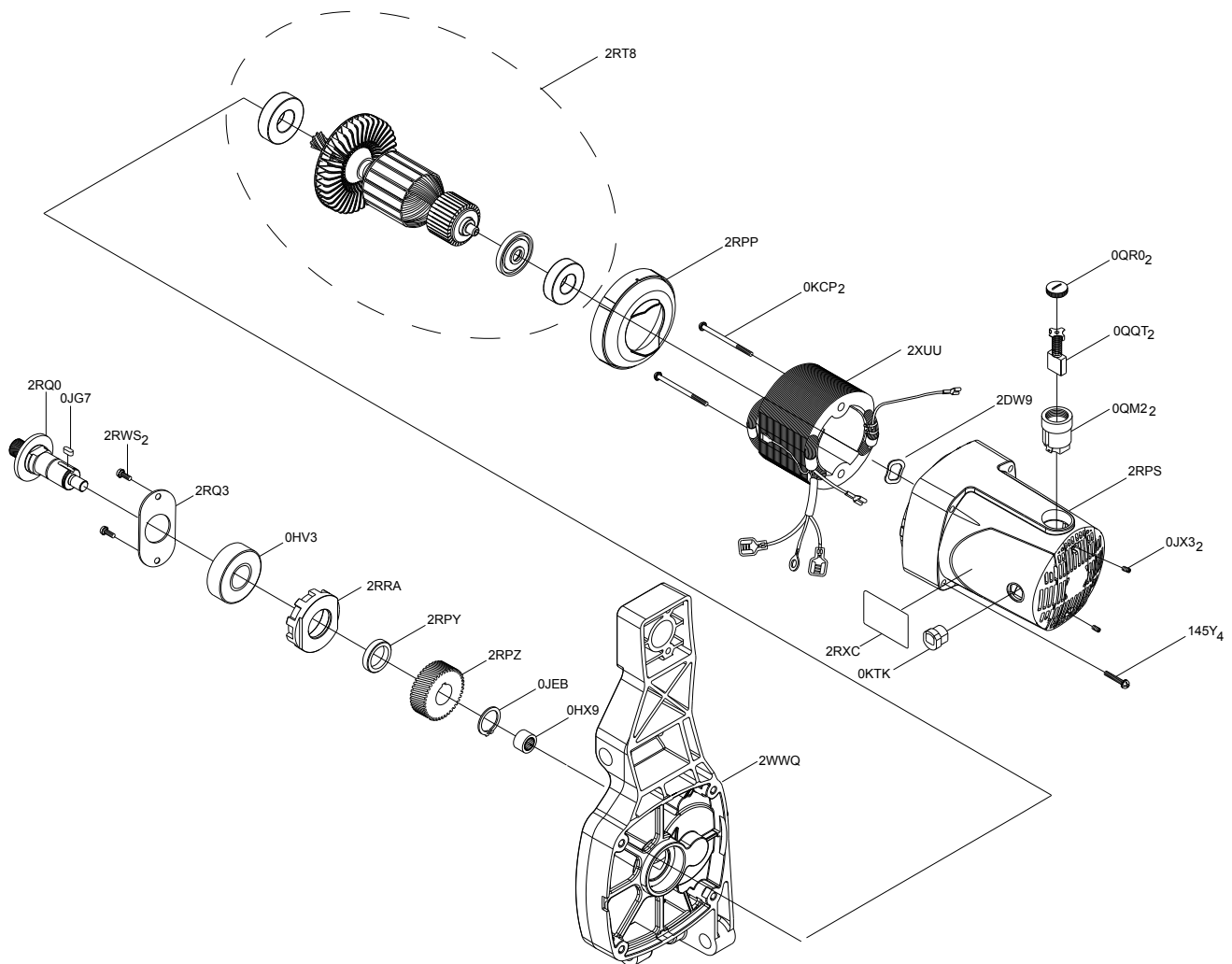
10 IN. (254 MM) JOBSITE TABLE SAW PARTS LIST & SCHEMATIC FOR STAND

I.D.	Description	Size	Qty	I.D.	Description	Size	Qty
2149	KNOB		1	2WR8	SUPPORTING TUBE ASS'Y		1
2888	CAP HD. SQ.NECK BOLT	M8*1.25-50	3	2WR9	CONNECTOR TUBE ASS'Y		2
090Q	PLUNGER HOUSING		1	2WRA	SUPPORTING TUBE ASS'Y		1
0J4F	FLAT WASHER	φ8*16-2.5	2	2WV3	ANCHOR PLATE		1
0J4W	FLAT WASHER	φ8.2*18-1.5	4	2WV4	MITER BAR		2
0JB0	WAVE WASHER	WW-8	1	2WV5	PLUNGER HANDLE		2
0JCA	SPRING PIN		2	2WV7	STOPPER		2
0JPR	HEX. HD. BOLT	M8*1.25-40	4	2WVA	BUSH		2
0JUL	HEX. SOC. HD. CAP BOLT	M6*1.0-20	4	2WVB	SLEEVE		2
0JVB	HEX. SOC. HD. CAP BOLT	M5*0.8-16	3	2WVC	HINGE		1
0K7X	CR. RE. TRUSS HD. ROUND NECK SCREW	M6*1.0-10	1	2WVD	ADJUSTMENT TUBE		1
0KDR	CR. RE. PAN HD. SCREW	M5*0.8-10	4	2WVE	HANDLE		1
0KQW	LOCK NUT	M5*0.8 T=5	4	2WVF	COMPRESSION SPRING		4
0KQX	NUT	M6*1.0 T=6	6	2WVG	SLEEVE		2
0KQY	LOCK NUT	M8*1.25 T=8	8	2X2G	END CAP		4
0KQZ	NUT	M10*1.5 T=10	2	2X6H	PLATE		1
157B	HEX. SOC. HD. CAP BOLT	M5*0.8-45	1	2X6K	SET PLATE		1
21WD	HEX. HD. BOLT	M8*1.25-100	2	2X6L	RETAINING CLIP		1
22FZ	CAP HD. SQ.NECK BOLT	M8*1.25-45	2	2XGE	SLEEVE		2
22P4	FLAT WASHER	φ8.1*16-3.5	1	2XSN	WARNING LABEL		1
270P	HEX. SOC. TRUSS HD. SCREW	M8*1.25-60	1	2XSP	WARNING LABEL		1
2FVG	END CAP		1	2Y7K	ANCHOR PLATE		1
2H32	CASTER		2	2YMW	SUPPORTING TUBE		1
2HDS	WING NUT		1	2Z3F	END CAP		1
2JQD	LEVELING PAD		1	2Z4E	ASSEMBLY HARDWARE BAG - P		1
2JQR	CR.-RE. TRUSS HD. SCREW	M6*1.0-40	2	2Z4M	ASSEMBLY HARDWARE BAG - F		1
2JS2	FLAT WASHER	φ8*φ25-3T	4	2Z4N	ASSEMBLY HARDWARE BAG - E		1
2T9J	CR.RE. PAN HD. TAPPING SCREW	M3.5*20-8	4	2Z4R	ASSEMBLY HARDWARE BAG - O		1
2WR7	SUPPORT ASS'Y		1	2Z8P	CAP HD.SQ.NECK BOLT	M8*1.25-60	2



10 IN. (254 MM) JOBSITE TABLE SAW PARTS LIST & SCHEMATIC FOR MOTOR

I.D.	Description	Size	Qty	I.D.	Description	Size	Qty
0HV3	BALL BEARING		1	2RPS	MOTOR COVER		1
0HX9	NEEDLE BEARING		1	2RPY	SPACER		1
0JEB	C-RING		1	2RPZ	HELIX GEAR		1
0JG7	PARALLEL KEY		1	2RQ0	CUTTER SHAFT		1
0JX3	HEX. SOC. SET SCREW	M5*0.8-8	2	2RQ3	BEARING COVER		1
0KTK	STRAIN RELIEF		1	2RRA	BEARING SEAT		1
0QM2	BRUSH HOLDER ASS'Y		2	2RT8	ARMATURE ASS'Y		1
0QQT	BRUSH ASS'Y		2	2RWS	CROSS-RECESSED COUNTER-SUN HEAD SCREW	M5*0.8-10	2
0QR0	BRUSH COVER		2	2RXC	LABEL		1
0KCP	CR.-RE.PAN HD.TAPPING SCREW & WASHER	M5*12-60	2	2WWQ	BRACKET		1
145Y	CR.RE. PAN HD. SCREW & WASHER	M5*0.8-55	4	2WXE	MOTOR ASS'Y		1
2DW9	WAVE WASHER		1	2XUU	FIELD ASS'Y		1
2RPP	FLOW GUIDE		1				



NOTES

WARRANTY

THREE YEAR LIMITED WARRANTY

PORTER-CABLE will repair, without charge, any defects due to faulty materials or workmanship for three years from the date of purchase. This warranty does not cover part failure due to normal wear or tool abuse. For further detail of warranty coverage and warranty repair information, visit www.portercable.com or call (888) 609-9779. This warranty does not apply to accessories or damage caused where repairs have been made or attempted by others. This warranty gives you specific legal rights and you may have other rights which vary in certain states or provinces.

In addition to the warranty, PORTER-CABLE tools are covered by our:

1 YEAR FREE SERVICE: PORTER-CABLE will maintain the tool and replace worn parts caused by normal use, for free, any time during the first year after purchase.

90 DAYS MONEY BACK GUARANTEE: If you are not completely satisfied with the performance of your PORTER-CABLE Power Tool for any reason, you can return it within 90 days from the date of purchase with a receipt for a full refund – no questions asked.

LATIN AMERICA: This warranty does not apply to products sold in Latin America. For products sold in Latin America, see country specific warranty information contained in the packaging, call the local company or see website for warranty information.

To register your tool for warranty service visit our website at www.portercable.com.

WARNING LABEL REPLACEMENT

If your warning labels become illegible or are missing, call (888) 609-9779 for a free replacement.

The following are PORTER-CABLE trademarks for one or more power tools and accessories: a gray and black color scheme; a “four point star” design; and three contrasting/outlined longitudinal stripes. The following are also trademarks for one or more Porter-Cable and Delta products: 2 BY 4[®], 890[™], Air America[®], AIRBOSS[™], Auto-Set[®], B.O.S.S.[®], Bammer[®], Biesemeyer[®], Builders Saw[®], Charge Air[®], Charge Air Pro[®], CONTRACTOR SUPERDUTY[®], Contractor’s Saw[®], Delta[®], DELTA[®], Delta Industrial[®], DELTA MACHINERY & DESIGN[™], Delta Shopmaster and Design[®], Delta X5[®], Deltacraft[®], DELTAGRAM[®], Do It. Feel it.[®], DUAL LASERLOC AND DESIGN[®], EASY AIR[®], EASY AIR TO GO[™], ENDURADIAMOND[®], Ex-Cell[®], Front Bevel Lock[®], Get Yours While the Sun Shines[®], Grip to Fit[®], GRIPVAC[™], GTF[®], HICKORY WOODWORKING[®], Homecraft[®], HP FRAMER HIGH PRESSURE[®], IMPACT SERIES[™], Innovation That Works[®], Jet-Lock[®], Job Boss[®], Kickstand[®], LASERLOC[®], LONG-LASTING WORK LIFE[®], MAX FORCE[™], MAX LIFE[®], Micro-Set[®], Midi-Lathe[®], Monsoon[®], MONSTER-CARBIDE[™], Network[®], OLDHAM[®], Omnijig[®], PC EDGE[®], Performance Crew[™], Performance Gear[®], Pocket Cutter[®], Porta-Band[®], Porta-Plane[®], Porter-Cable[®], Porter-Cable Professional Power Tools[®], Powerback[®], POZI-STOP[™], Pressure Wave[®], PRO 4000[®], Proair[®], Quicksand and Design[®], Quickset II[®], QUIET DRIVE TECHNOLOGY[™], QUIET DRIVE TECHNOLOGY AND DESIGN[™], Quick-Change[®], QUIK-TILT[®], RAPID-RELEASE[™], RAZOR[®], Redefining Performance[®], Riptide[®], Safe Guard II[®], Sand Trap and Design[®], Sanding Center[®], Saw Boss[®], Shop Boss[®], Sidekick[®], Site Boss[®], Speed-Bloc[®], Speedmatic[®], Stair Ease[®], Steel Driver Series[®], SUPERDUTY[®], T4 & DESIGN[®], THE AMERICAN WOODSHOP[®], THE PROFESSIONAL EDGE[®], Thin-Line[®], Tiger Saw[®], TIGERCLAW[®], TIGERCLAW AND DESIGN[®], Torq-Buster[®], TRU-MATCH[®], T-Square[®], Twinlaser[®], Unifence[®], Uniguard[®], UNIRIP[®], UNISAW[®], UNITED STATES SAW[®], Veri-Set[®], Versa-Feeder[®], VIPER[®], VT[™], VT RAZOR[™], Water Driver[®], WATER VROOM[®], Waveform[®], Whisper Series[®], X5[®], YOUR ACHIEVEMENT. OUR TOOLS.[®] Trademarks noted with ® are registered in the United States Patent and Trademark Office and may also be registered in other countries. Other trademarks may apply.

PORTER-CABLE and the PORTER-CABLE logo are registered trademarks of PORTER-CABLE and are used under license. All rights reserved.

PORTER  CABLE.

Power Tool Specialists, Inc.
684 Huey Road, Rock Hill, SC 29730
(888) 609-9779
www.portercable.com