

PORTER CABLE®

**ELECTRIC 4 GALLON HAND
CARRY AIR COMPRESSOR**

**COMPRESSEURS D'AIR
PORTATIFS ÉLECTRIQUES
DE 4 GALLONS**

**COMPRESOR DE AIRE PORTÁTIL
ELÉCTRICO DE 4 GALONES**

Instruction manual
Manuel d'instructions
Manual de instrucciones

**Français : Page 21
Español: Página 43**

www.portercable.com

INSTRUCTIVO DE OPERACIÓN, CENTROS
DE SERVICIO Y PÓLIZA DE GARANTÍA.

▲ ADVERTENCIA: LÉASE ESTE INSTRUCTIVO
ANTES DE USAR EL PRODUCTO.



PCFP02040

SAFETY GUIDELINES - DEFINITIONS

This manual contains information that is important for you to know and understand. This information relates to protecting YOUR SAFETY and PREVENTING EQUIPMENT PROBLEMS. To help you recognize this information, we use the symbols below. Please read the manual and pay attention to these symbols.

<p>⚠ DANGER: Indicates an imminently hazardous situation which, if not avoided, will result in death or serious injury.</p>	<p>⚠ CAUTION: Indicates a potentially hazardous situation which, if not avoided, may result in minor or moderate injury.</p>
<p>⚠ WARNING: Indicates a potentially hazardous situation which, if not avoided, could result in death or serious injury.</p>	<p>NOTICE : Indicates a practice not related to personal injury which, if not avoided, may result in property damage.</p>

IMPORTANT SAFETY INSTRUCTIONS

⚠ WARNING: This product contains chemicals known to the State of California to cause cancer, birth defects or other reproductive harm. ***Wash hands after handling.***

⚠ WARNING: Some dust contains chemicals known to the State of California to cause cancer, birth defects or other reproductive harm such as asbestos and lead in lead based paint.

⚠ WARNING: To reduce the risk of injury, read the instruction manual.



SAVE THESE INSTRUCTIONS

HAZARD



⚠ DANGER: RISK OF EXPLOSION OR FIRE

WHAT CAN HAPPEN	HOW TO PREVENT IT
<ul style="list-style-type: none"> • It is normal for electrical contacts within the motor and pressure switch to spark. • If electrical sparks from compressor come into contact with flammable vapors, they may ignite, causing fire or explosion. 	<ul style="list-style-type: none"> • Always operate the compressor in a well ventilated area free of combustible materials, gasoline, or solvent vapors. • If spraying flammable materials, locate compressor at least 20' (6.1 m) away from spray area. An additional length of air hose may be required. • Store flammable materials in a secure location away from compressor.
<ul style="list-style-type: none"> • Restricting any of the compressor ventilation openings will cause serious overheating and could cause fire. 	<ul style="list-style-type: none"> • Never place objects against or on top of compressor. • Operate compressor in an open area at least 12" (30.5 cm) away from any wall or obstruction that would restrict the flow of fresh air to the ventilation openings. • Operate compressor in a clean, dry well ventilated area. Do not operate unit in any confined area. Store indoors.

- Unattended operation of this product could result in personal injury or property damage. To reduce the risk of fire, do not allow the compressor to operate unattended.
- Always remain in attendance with the product when it is operating.
- Always turn off and unplug unit when not in use.

HAZARD



⚠ DANGER: RISK TO BREATHING (ASPHYXIATION)

WHAT CAN HAPPEN	HOW TO PREVENT IT
<ul style="list-style-type: none"> • The compressed air directly from your compressor is not safe for breathing. The air stream may contain carbon monoxide, toxic vapors, or solid particles from the air tank. Breathing these contaminants can cause serious injury or death. 	<ul style="list-style-type: none"> • Never use air obtained directly from the compressor to supply air for human consumption. The compressor is not equipped with suitable filters and in-line safety equipment for human consumption.
<ul style="list-style-type: none"> • Exposure to chemicals in dust created by power sanding, sawing, grinding, drilling, and other construction activities may be harmful. • Sprayed materials such as paint, paint solvents, paint remover, insecticides, weed killers, may contain harmful vapors and poisons. 	<ul style="list-style-type: none"> • Work in an area with good cross ventilation. Read and follow the safety instructions provided on the label or safety data sheets for the materials you are spraying. Always use certified safety equipment: NIOSH/OSHA respiratory protection or properly fitting face mask designed for use with your specific application.

HAZARD



⚠ WARNING: RISK OF BURSTING

Air Tank: On February 26, 2002, the U.S. Consumer Product Safety Commission published Release # 02-108 concerning air compressor tank safety:

Air compressor receiver tanks do not have an infinite life. Tank life is dependent upon several factors, some of which include operating conditions, ambient conditions, proper installations, field modifications, and the level of maintenance. The exact effect of these factors on air receiver life is difficult to predict.

If proper maintenance procedures are not followed, internal corrosion to the inner wall of the air receiver tank can cause the air tank to unexpectedly rupture allowing pressurized air to suddenly and forcefully escape, posing risk of injury to consumers. Your compressor air tank must be removed from service by the end of the year shown on your tank warning label.

The following conditions could lead to a weakening of the air tank, and result in a violent air tank explosion:

WHAT CAN HAPPEN	HOW TO PREVENT IT
<ul style="list-style-type: none"> • Failure to properly drain condensed water from air tank, causing rust and thinning of the steel air tank. 	<ul style="list-style-type: none"> • Drain air tank daily or after each use. If air tank develops a leak, replace it immediately with a new air tank or replace the entire compressor.
<ul style="list-style-type: none"> • Modifications or attempted repairs to the air tank. 	<ul style="list-style-type: none"> • Never drill into, weld, or make any modifications to the air tank or its attachments. Never attempt to repair a damaged or leaking air tank. Replace with a new air tank.

<ul style="list-style-type: none"> Unauthorized modifications to the safety valve or any other components which control air tank pressure. 	<ul style="list-style-type: none"> The air tank is designed to withstand specific operating pressures. Never make adjustments or parts substitutions to alter the factory set operating pressures.
---	---

ATTACHMENTS & ACCESSORIES:

<ul style="list-style-type: none"> Exceeding the pressure rating of air tools, spray guns, air operated accessories, tires, and other inflatables can cause them to explode or fly apart, and could result in serious injury. 	<ul style="list-style-type: none"> Follow the equipment manufacturers recommendation and never exceed the maximum allowable pressure rating of attachments. Never use compressor to inflate small low pressure objects such as children’s toys, footballs, basketballs, etc.
--	---

TIRES:

<ul style="list-style-type: none"> Over inflation of tires could result in serious injury and property damage. 	<ul style="list-style-type: none"> Use a tire pressure gauge to check the tires pressure before each use and while inflating tires; see the tire sidewall for the correct tire pressure. NOTE: Air tanks, compressors and similar equipment used to inflate tires can fill small tires very rapidly. Adjust pressure regulator on air supply to no more than the rating of the tire pressure. Add air in small increments and frequently use the tire gauge to prevent over inflation.
--	--

HAZARD



⚠ WARNING: RISK OF ELECTRICAL SHOCK

WHAT CAN HAPPEN	HOW TO PREVENT IT
<ul style="list-style-type: none"> Your compressor is powered by electricity. Like any other electrically powered device, if it is not used properly it may cause electric shock. 	<ul style="list-style-type: none"> Never operate the compressor outdoors when it is raining or in wet conditions. Never operate compressor with protective covers removed or damaged.
<ul style="list-style-type: none"> Repairs attempted by unqualified personnel can result in serious injury or death by electrocution. 	<ul style="list-style-type: none"> Any electrical wiring or repairs required on this product should be performed by authorized service center personnel in accordance with national and local electrical codes.
<ul style="list-style-type: none"> Electrical Grounding: Failure to provide adequate grounding to this product could result in serious injury or death from electrocution. Refer to Grounding Instructions paragraph in the Installation section. 	<ul style="list-style-type: none"> Make certain that the electrical circuit to which the compressor is connected provides proper electrical grounding, correct voltage and adequate fuse protection.

HAZARD



⚠ WARNING: RISK FROM FLYING OBJECTS

WHAT CAN HAPPEN	HOW TO PREVENT IT
<ul style="list-style-type: none">• The compressed air stream can cause soft tissue damage to exposed skin and can propel dirt, chips, loose particles, and small objects at high speed, resulting in property damage or personal injury.	<ul style="list-style-type: none">• Always wear certified safety equipment: ANSI Z87.1 eye protection (CAN/CSA Z94.3) with side shields when using the compressor.• Never point any nozzle or sprayer toward any part of the body or at other people or animals.• Always turn the compressor off and bleed pressure from the air hose and air tank before attempting maintenance, attaching tools or accessories.

HAZARD



⚠ WARNING: RISK OF HOT SURFACES

WHAT CAN HAPPEN	HOW TO PREVENT IT
<ul style="list-style-type: none">• Touching exposed metal such as the compressor head, engine head, engine exhaust or outlet tubes, can result in serious burns.	<ul style="list-style-type: none">• Never touch any exposed metal parts on compressor during or immediately after operation. Compressor will remain hot for several minutes after operation.• Do not reach around protective shrouds or attempt maintenance until unit has been allowed to cool.

HAZARD



⚠ WARNING: RISK FROM MOVING PARTS

WHAT CAN HAPPEN	HOW TO PREVENT IT
<ul style="list-style-type: none">• Moving parts such as the pulley, flywheel, and belt can cause serious injury if they come into contact with you or your clothing.	<ul style="list-style-type: none">• Never operate the compressor with guards or covers which are damaged or removed.• Keep your hair, clothing, and gloves away from moving parts. Loose clothes, jewelry, or long hair can be caught in moving parts.• Air vents may cover moving parts and should be avoided as well.
<ul style="list-style-type: none">• Attempting to operate compressor with damaged or missing parts or attempting to repair compressor with protective shrouds removed can expose you to moving parts and can result in serious injury.	<ul style="list-style-type: none">• Any repairs required on this product should be performed by authorized service center personnel.

HAZARD



⚠ WARNING: RISK OF UNSAFE OPERATION

WHAT CAN HAPPEN	HOW TO PREVENT IT
<ul style="list-style-type: none">• Unsafe operation of your compressor could lead to serious injury or death to you or others.	<ul style="list-style-type: none">• Review and understand all instructions and warnings in this manual.• Become familiar with the operation and controls of the air compressor.• Keep operating area clear of all persons, pets, and obstacles.• Keep children away from the air compressor at all times.• Do not operate the product when fatigued or under the influence of alcohol or drugs. Stay alert at all times.• Never defeat the safety features of this product.• Equip area of operation with a fire extinguisher.• Do not operate machine with missing, broken, or unauthorized parts.• Never stand on the compressor.

HAZARD



⚠ WARNING: RISK OF FALLING

WHAT CAN HAPPEN	HOW TO PREVENT IT
<ul style="list-style-type: none">• A portable compressor can fall from a table, workbench, or roof causing damage to the compressor and could result in serious injury or death to the operator.	<ul style="list-style-type: none">• Always operate compressor in a stable secure position to prevent accidental movement of the unit. Never operate compressor on a roof or other elevated position. Use additional air hose to reach high locations.

HAZARD



⚠ WARNING: RISK FROM NOISE

WHAT CAN HAPPEN	HOW TO PREVENT IT
<ul style="list-style-type: none">• Under some conditions and duration of use, noise from this product may contribute to hearing loss.	<ul style="list-style-type: none">• Always wear proper hearing protection during use.

HAZARD



⚠ WARNING: RISK OF INJURY FROM LIFTING

WHAT CAN HAPPEN	HOW TO PREVENT IT
<ul style="list-style-type: none">• Serious injury can result from attempting to lift too heavy an object.	<ul style="list-style-type: none">• The compressor is too heavy to be lifted by one person. Obtain assistance from others before lifting.

HAZARD



⚠ WARNING:

RISK OF SERIOUS INJURY OR PROPERTY DAMAGE WHEN TRANSPORTING COMPRESSOR

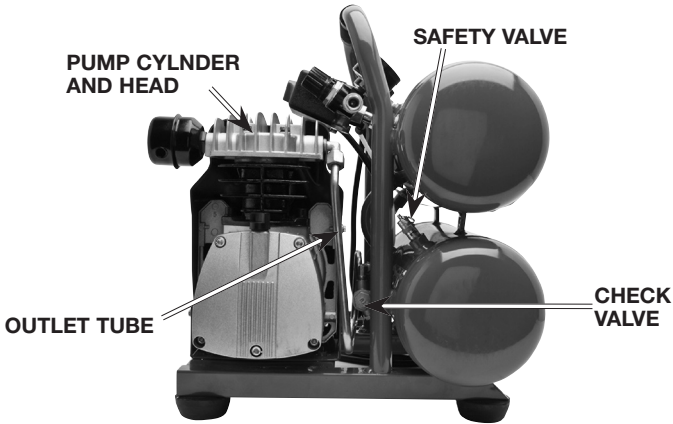
WHAT CAN HAPPEN

- Oil can leak or spill and could result in fire or breathing hazard; serious injury or death can result. Oil leaks will damage carpet, paint or other surfaces in vehicles or trailers.

HOW TO PREVENT IT

- Always place compressor on a protective mat when transporting to protect against damage to vehicle from leaks. Remove compressor from vehicle immediately upon arrival at your destination.

HOT SURFACES



SAVE THESE INSTRUCTIONS FOR FUTURE USE

SPECIFICATIONS

Model No.	PCFP02040
Voltage/Amps/Hz-Single Phase	120/14A/60
Minimum Branch Circuit Requirement	15 amps
Fuse Type	Time Delay
Air Tank Capacity	4 Gallon (15.1 liters)
Pump Oil Capacity	10.6 oz. (313.5 mL)
Approximate Cut-in Pressure	105 psig
Approximate Cut-out Pressure	135 psig
SCFM @ 40 psig	4.9 *
SCFM @ 90 psig	3.4 *
Weight	58.4 lbs (26.5 kg)

*Tested per ISO 1217

Refer to Glossary for abbreviations.

GLOSSARY

Become familiar with these terms before operating the unit.

CFM: Cubic feet per minute.

SCFM: Standard cubic feet per minute; a unit of measure of air delivery.

PSIG: Pounds per square inch gauge; a unit of measure of pressure.

Code Certification: Products that bear one or more of the following marks: UL®, CUL, CULUS, ETL®, CETL, CETLUS, have been evaluated by OSHA certified independent safety laboratories and meet the applicable Standards for Safety.

Cut-In Pressure: While the motor is off, air tank pressure drops as you continue to use your accessory. When the tank pressure drops to a certain lower level the motor will restart automatically. The low pressure at which the motor automatically restarts is called "cut-in" pressure.

Cut-Out Pressure: When an air compressor is turned on and begins to run, air pressure in the air tank begins to build. It builds to a certain high pressure before the motor automatically shuts off, protecting your air tank from pressure higher than its capacity. The high pressure at which the motor shuts off is called "cut-out" pressure.

Branch Circuit: Circuit carrying electricity from electrical panel to outlet.

DUTY CYCLE

Duty Cycle: For proper operation of your air compressor, it is recommended that a 50% duty cycle be maintained; that is, the air compressor should not run more than 5 minutes in any 10 minute period.

ASSEMBLY

UNPACKING

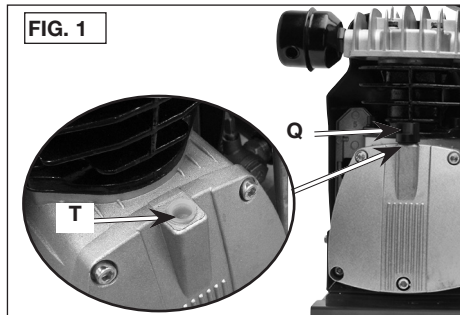
Remove unit from carton and discard all packaging.

CHECK PUMP OIL (FIG 1)

NOTICE : The compressor was shipped with oil in the crankcase. A shipping plug is used to prevent oil from leaking during shipment. Do not attempt to operate this air compressor without first checking the oil level. Serious damage can result from even limited operation unless filled with oil and broken in correctly. Closely follow **Initial Set-up** under **Operation**.

NOTICE : Risk of property damage. Use SAE 40, non-detergent air compressor oil only. Multi-weight automotive engine oils like 10W30 should not be used in air compressors. They leave carbon deposits on critical components, thus reducing performance and compressor life.

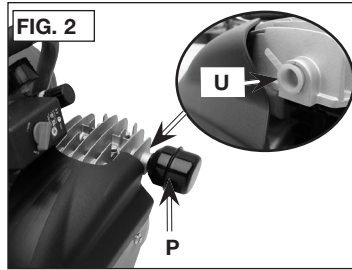
1. Place unit on a level surface.
2. Remove the shipping plug (T) and insert the dipstick (Q).
3. Check oil level. See **Pump Oil-Checking** paragraph under **Maintenance** section for instructions.



ASSEMBLE AIR INTAKE FILTER (FIG. 2)

▲ CAUTION: Risk of unsafe operation. Do not operate without air intake filter.

Remove shipping plug (U) from air intake inlet and assemble air intake filter (P). Tighten until snug.



INSTALLATION

HOW TO SET UP YOUR UNIT

LOCATION OF THE AIR COMPRESSOR

- Locate the air compressor in a clean, dry and well ventilated area.
- The air compressor should be located at least 12" (30.5 cm) away from the wall or other obstructions that will interfere with the flow of air.
- The air compressor pump and shroud are designed to allow for proper cooling. The ventilation openings on the compressor are necessary to maintain proper operating temperature. Do not place rags or other containers on or near these openings.
- Keep the compressor away from the areas that have dirt and/or volatile fumes in the atmosphere. These impurities may clog the air intake filter and valves, causing inefficient operation.
- Place the air compressor on a flat surface resting on the rubber feet.

NOISE CONSIDERATIONS

Consult local officials for information regarding acceptable noise levels in your area. To reduce excessive noise, use vibration mounts or silencers, relocate the unit or construct total enclosures or baffle walls. Contact a Trained Service Technician for assistance.

ELECTRICAL (FIG. 4)

Refer to all safety instructions before using unit. Observe extension cord safety instructions if necessary. Always move the Auto/Off switch (D) to the "Off" position before removing the plug from the outlet.

TRANSPORTING

When transporting the compressor in a vehicle, trailer, etc., ensure that the tank is drained and the unit is secured. Use care when driving to avoid tipping the unit over in the vehicle. Damage can occur to the compressor or surrounding items if the compressor is tipped.

MOVING

When moving the compressor, grasp the handle and carry the compressor as close to the body as possible.

▲ WARNING: Risk of unsafe operation. Ensure proper footing and use caution when carrying compressor to avoid a loss of balance.

GROUNDING INSTRUCTIONS (FIG. 3)

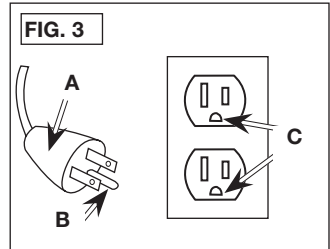
⚠ WARNING: **RISK OF ELECTRICAL SHOCK.** In the event of a short circuit, grounding reduces the risk of shock by providing an escape wire for the electric current. This air compressor must be properly grounded.

The portable air compressor is equipped with a cord having a grounding wire with an appropriate grounding plug (A).

1. The cord set and plug (A) with this unit contains a grounding pin (B). This plug MUST be used with a grounded outlet (C).

IMPORTANT: The outlet being used must be installed and grounded in accordance with all local codes and ordinances.

2. Make sure the outlet being used has the same configuration as the grounded plug. DO NOT USE AN ADAPTER. See figure 3.
3. Inspect the plug and cord before each use. Do not use if there are signs of damage.
4. If these grounding instructions are not completely understood, or if in doubt as to whether the compressor is properly grounded, have the installation checked by a qualified electrician.



⚠ DANGER: **RISK OF ELECTRICAL SHOCK. IMPROPER GROUNDING CAN RESULT IN ELECTRICAL SHOCK.**

Do not modify the plug provided. If it does not fit the available outlet, a correct outlet should be installed by a qualified electrician.

Repairs to the cord set or plug MUST be made by a qualified electrician.

EXTENSION CORDS

If an extension cord must be used, be sure it is:

- a 3-wire extension cord that has a 3-blade grounding plug, and a 3-slot receptacle that will accept the plug on the product
- in good condition
- no longer than 50' (15.2 m)
- 12 gauge (AWG) or larger. (Wire size increases as gauge number, decreases. 10 AWG and 8 AWG may also be used. DO NOT USE 14 OR 16 AWG.)

NOTICE: **Risk of Property Damage.** The use of an undersized extension cord will cause voltage to drop resulting in power loss to the motor and overheating. Instead of using an extension cord, increase the working reach of the air hose by attaching another length of hose to its end. Attach additional lengths of hose as needed.

VOLTAGE AND CIRCUIT PROTECTION

Refer to the **Specifications** for the voltage and minimum branch circuit requirements.

⚠ CAUTION: Risk of Overheating. Certain air compressors can be operated on a 15 amp circuit if the following conditions are met.

1. Voltage supply to circuit must comply with the National Electrical Code.
2. Circuit is not used to supply any other electrical needs.
3. Extension cords comply with specifications.
4. Circuit is equipped with a 15 amp circuit breaker or 15 amp time delay fuse.

NOTE: If compressor is connected to a circuit protected by fuses, use only time delay fuses. Time delay fuses should be marked "D" in Canada and "T" in the US.

If any of the above conditions cannot be met, or if operation of the compressor repeatedly causes interruption of the power, it may be necessary to operate it from a 20 amp circuit. It is not necessary to change the cord set.

COMPATIBILITY

Air tools and accessories that are run off the compressor must be compatible with petroleum-based products. If you suspect that a material is not compatible with petroleum products, an air line filter for removal of moisture and oil vapor in compressed air is required.

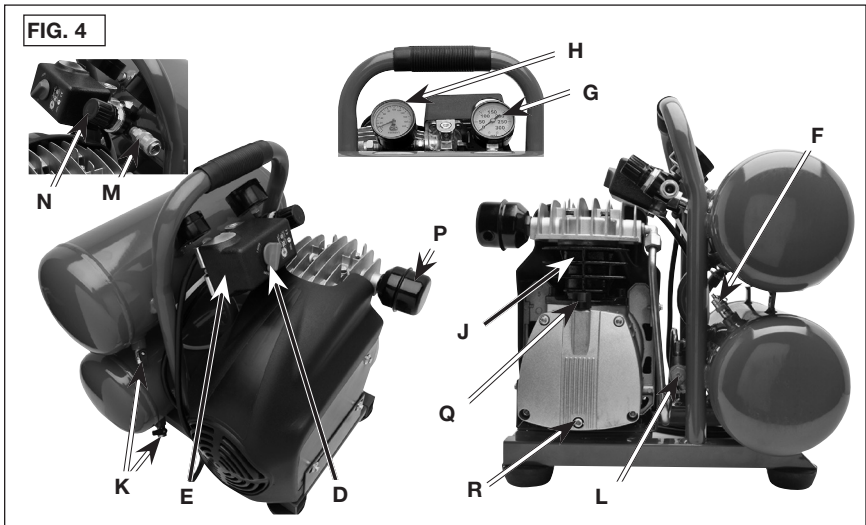
NOTE: Always use an air line filter to remove moisture and oil vapor when spraying paint.

OPERATION

KNOW YOUR AIR COMPRESSOR

READ THIS OWNER'S MANUAL AND SAFETY RULES BEFORE OPERATING YOUR UNIT. Compare the illustrations with your unit to familiarize yourself with the location of various controls and adjustments. Save this manual for future reference.

DESCRIPTION OF OPERATION (FIG. 4)



Become familiar with these controls before operating the unit.

Auto (I)/Off (O) Switch (D): Place this switch in the Auto (I) position to provide automatic power to the pressure switch and Off (O) to remove power at the end of each use.

Pressure Switch (E): The pressure switch automatically starts the motor when the air tank pressure drops below the factory set "cut-in" pressure. It stops the motor when the air tank pressure reaches the factory set "cut-out" pressure.

Safety Valve (F): If the pressure switch does not shut off the air compressor at its "cut-out" pressure setting, the safety valve will protect against high pressure by "popping out" at its factory set pressure (slightly higher than the pressure switch "cut-out" setting).

Tank Pressure Gauge (G): The tank pressure gauge indicates the reserve air pressure in the tank.

Regulated Pressure Gauge (H): The outlet pressure gauge indicates the air pressure available at the outlet side of the regulator. This pressure is controlled by the regulator and is always less than or equal to the tank pressure.

Cooling System (not shown): This compressor contains an advanced design cooling system. At the heart of this cooling system is an engineered fan. It is perfectly normal for this fan to blow air through the vent holes in large amounts. You know that the cooling system is working when air is being expelled.

Air Compressor Pump (J): Compresses air into the air tank. Working air is not available until the compressor has raised the air tank pressure above that required at the air outlet.

Drain Valves (K): A drain valve is located at the base of the each air tank and is used to drain condensation at the end of each use.

Check Valve (L): When the air compressor is operating, the check valve is "open", allowing compressed air to enter the air tank. When the air compressor reaches "cut-out" pressure, the check valve "closes", allowing air pressure to remain inside the air tank.

Motor Overload Protector (not shown): The motor has a thermal overload protector. If the motor overheats for any reason, the overload protector will shut off the motor. The motor must be allowed to cool down before restarting. To restart:

1. Set the Auto/Off lever to "Off" and unplug unit.
2. Allow the motor to cool.
3. Plug the power cord into the correct branch circuit receptacle.
4. Set the Auto/Off lever to "Auto" position.

Universal Quick Connect Body (M): The universal quick connect body accepts the three most popular styles of quick connect plugs: Industrial, automotive, and ARO. One hand push-to-connect operation makes connections simple and easy.

Regulator (N): Controls the air pressure shown on the regulated pressure gauge. Pull the knob out and turn clockwise to increase pressure and counterclockwise to decrease pressure. When the desired pressure is reached push knob in to lock in place.

Air Intake Filter (P): This filter is designed to clean air coming into the pump. This filter must always be clean and ventilation openings free from obstructions. See **Maintenance**.

Dipstick (Q) (not shown): Indicates the amount of oil in the pump, MAX indicates full and MIN indicates oil needs to be added. See **Pump Oil** paragraphs in the **Maintenance** section for instructions.

Oil Drain Plug (R) (not shown): See **Pump Oil** paragraphs in the **Maintenance** section for instructions on how to change the pump oil.

Pressure Release Valve (not shown): The pressure release valve located on the side of the pressure switch, is designed to automatically release compressed air from the compressor head and the outlet tube when the air compressor reaches "cut-out" pressure or is shut off. The pressure release valve allows the motor to restart freely. When the motor stops running, air will be heard escaping from this valve for a few seconds. No air should be heard leaking when the motor is running, or continuous leaking after unit reaches "cut-out" pressure.

HOW TO USE YOUR UNIT (FIG. 4)

HOW TO STOP

1. Set the Auto/Off switch (D) to "Off".
2. Unplug unit when not in use.

BEFORE STARTING

⚠ WARNING: Do not operate this unit until you read this instruction manual for safety, operation and maintenance instructions.

INITIAL SET-UP (BREAK-IN PROCEDURE)

NOTICE: Risk of property damage. Serious damage may result if the following break-in instructions are not closely followed.

This procedure is required before the air compressor is put into service and when the check valve or a complete compressor pump has been replaced.

1. Make sure the Auto/Off switch (D) is in the "Off" position.
2. Check oil level in pump. See **Pump Oil-Checking** paragraph in the **Maintenance** section for instructions.
3. Plug the power cord into the correct branch circuit receptacle. (Refer to **Voltage and Circuit Protection** paragraph in the **Installation** section of this manual.)
4. Open the drain valves (K) (counterclockwise) fully to permit air to escape and prevent air pressure build up in the air tank during the break-in period.
5. Move the Auto/Off switch to "Auto" position. The compressor will start.
6. Run the compressor for 20 minutes. Make sure the drain valve is open and there is minimal air pressure build-up in tank.
7. After 20 minutes, close the drain valves by turning clockwise. The air receiver will fill to "cut-out" pressure and the motor will stop.

The compressor is now ready for use.

BEFORE EACH START-UP

1. Set the Auto/Off switch (D) to "Off".
2. Ensure air tank is drained, see **To Drain Tank** under **Maintenance** section for instructions.
3. Ensure the drain valve (K) is closed.
4. Ensure safety valve (F) is functioning properly, see **To Check Safety Valve** under **Maintenance** section for instructions.
5. Check pump oil level, see **Pump Oil-Checking** under **Maintenance** section for instructions.

NOTICE: Risk of property damage. Do not operate without oil or with inadequate oil. PORTER-CABLE is not responsible for compressor failure caused by inadequate oil.

6. Plug the power cord into the correct branch circuit receptacle. (Refer to **Voltage and Circuit Protection** paragraph in the **Installation** section of this manual.)
7. Turn the regulator knob (N) counterclockwise to set the outlet pressure to zero. Push regulator knob in to lock in place.
8. Attach hose and accessories.

⚠ WARNING: Risk of unsafe operation. Firmly grasp air hose in hand when installing or disconnecting to prevent hose whip.

⚠ WARNING: Risk of unsafe operation. Do not use damaged or worn accessories.

NOTE: The hose or accessory will require a quick connect plug if the air outlet is equipped with a quick connect body (M).

9. Ensure all covers and labels are in place, legible (for labels) and securely mounted. Do not use compressor until all items have been verified.

⚠ WARNING: Risk of Bursting. Too much air pressure causes a hazardous risk of bursting. Check the manufacturer's maximum pressure rating for air tools and accessories. The regulator outlet pressure must never exceed the maximum pressure rating.

NOTICE: Risk of property damage. Compressed air from the unit may contain water condensation and oil mist. Do not spray unfiltered air at an item that could be damaged by moisture. Some air tools and accessories may require filtered air. Read the instructions for the air tools and accessories.

HOW TO START

1. Set the Auto/Off switch (D) to "Auto" and allow tank pressure to build. Motor will stop when tank pressure reaches "cut-out" pressure.
2. Turn regulator knob (N) clockwise to increase pressure and stop when desired pressure is reached. Push regulator knob in to lock in place.

⚠ WARNING: Risk of unsafe operation. If any unusual noise or vibration is noticed, stop the compressor immediately and have it checked by a trained service technician.

The compressor is ready for use.

MAINTENANCE

CUSTOMER RESPONSIBILITIES

Procedure	Daily	Weekly	1 year or 200 Hours	See tank warning label
Check safety valve	X			
Drain air tank	X			
Check pump oil level	X			
Change pump oil			X (2, 3)	
Oil leak inspection	X			
Check for unusual noise/vibration	X			
Check for air leaks	X (1)			
Clean compressor exterior		X		
Remove tank from service				X (4)
(1) To check for air leaks apply a solution of soapy water around joints. While compressor is pumping to pressure and after pressure cuts out, look for air bubbles to form.				
(2) The pump oil must be changed after the first 20 hours of operation. Thereafter, change oil every 200 hours of operation or once a year, whichever comes first.				
(3) Perform more frequent in dusty or humid conditions				
(4) For more information, call our Customer Care Center at 1-888-848-5175				

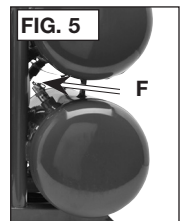
⚠ WARNING: Risk of unsafe operation. Unit cycles automatically when power is on. When performing maintenance, you may be exposed to voltage sources, compressed air, or moving parts. Personal injuries can occur. Before performing any maintenance or repair, disconnect power source from the compressor and bleed off all air pressure.

NOTE: See *Operation* section for the location of controls.

TO CHECK SAFETY VALVE (FIG. 5)

⚠ WARNING: Risk of Bursting. If the safety valve does not work properly, over-pressurization may occur, causing air tank rupture or an explosion.

⚠ WARNING: Risk from Flying Objects. Always wear certified safety equipment: ANSI Z87.1 eye protection (CAN/CSA Z94.3) with side shields.



⚠ WARNING: Hot surfaces. Risk of burn. Outlet tube, pump head, and surrounding parts are very hot, do not touch (see the **Hot Surfaces** identified in **Important Safety Instructions**). Allow compressor to cool prior to servicing.

Before starting compressor, pull the ring on the safety valve (F) to make sure that the safety valve operates freely. If the valve is stuck or does not operate smoothly, it must be replaced with the same type of valve.

TO DRAIN TANK (FIG. 5, 6)

⚠ WARNING: Risk of Unsafe Operation. Air tanks contain high pressure air. Keep face and other body parts away from outlet of drain. Use ANSI Z87.1 eye protection (CAN/CSA Z94.3) when draining as debris can be kicked up into face.

⚠ WARNING: Risk from noise. Always wear proper hearing protection during use. Under some conditions and duration of use, noise from this product may contribute to hearing loss.

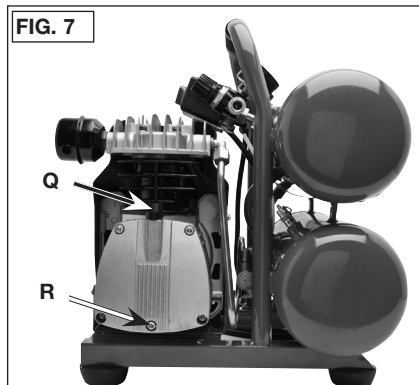
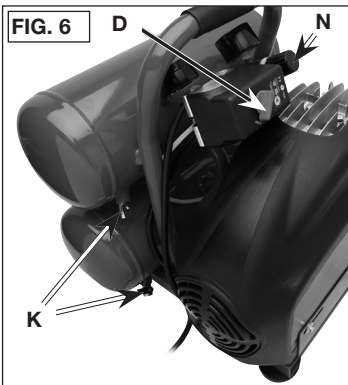
NOTE: All compressed air systems generate condensate that accumulates in any drain point (e.g., tanks, filter, outlet tubes, dryers). This condensate contains lubricating oil and/or substances which may be regulated and must be disposed of in accordance with local, state, and federal laws and regulations.

⚠ WARNING: Risk of Bursting. Water will condense in the air tank. If not drained, water will corrode and weaken the air tank causing a risk of air tank rupture.

NOTICE: Risk of Property Damage. Drain water from air tank may contain oil and rust which can cause stains.

1. Set the Auto/Off switch (D) to "Off".
2. Turn the regulator knob (N) counterclockwise to set the outlet pressure to zero. Push regulator knob in to lock in place.
3. Remove the air tool or accessory.
4. Place a suitable container under the drain valves (K) to catch discharge.
5. Pull ring on safety valve (F, Fig. 5) allowing air to bleed from the tank until tank pressure is approximately 20 psi. Release safety valve ring.
6. Drain water from air tank by opening drain valves (K) on bottom of tanks.
7. After the water has been drained, close the drain valves. The air compressor can now be stored.

NOTE: If drain valve is plugged, release all air pressure. The valve can then be removed, cleaned, then reinstalled.



PUMP OIL (FIG. 7, 8)

⚠ WARNING: Drain tank to release air pressure before removing the dipstick or oil drain plug.

⚠ WARNING: Hot surfaces. Risk of burn. Outlet tube, pump head, and surrounding parts are very hot, do not touch (see the **Hot Surfaces** identified in **Important Safety Instructions**). Allow compressor to cool prior to servicing.

NOTICE: Risk of property damage. Use SAE 40, non-detergent air compressor oil only. Multi-weight automotive engine oils like 10W30 should not be used in air compressors. They leave carbon deposits on critical components, thus reducing performance and compressor life.

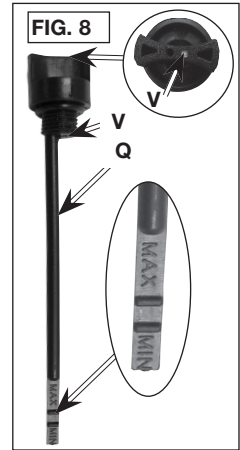
NOTE: Crankcase oil capacity is approximately 10.6 fluid ounces (313.5 mL).

CHECKING

1. Set the Auto/Off lever to "Off".
2. Place unit on a flat level surface.
3. Remove dipstick (Q) and check oil on dipstick for visual signs of contaminants (water, dirt, etc).

⚠ WARNING: Make sure air vent (V) in dipstick is free from debris. If air vent is blocked pressure can build in crankcase causing damage to air compressor and possible personal injury.

4. Wipe oil from dipstick.
5. Replace dipstick and allow oil to collect on dipstick.
6. Remove dipstick and check oil level on dipstick. The MAX mark on the dipstick indicates full and MIN mark indicates oil is needed. If oil level is below the MIN mark, slowly add oil until it reaches the MAX (full) mark on the dipstick.
7. Replace dipstick (Q).



CHANGING

1. Set the Auto/Off lever to "Off".
2. Allow the unit to cool.
3. Remove air compressor plug from outlet.
4. Remove the dipstick (Q).
5. Remove the oil drain plug (R) and drain oil into a suitable container. (Tilting the compressor towards the drain plug will assist in draining.)
6. Replace oil drain plug (R).
7. Slowly fill crankcase with SAE 40, non-detergent air compressor oil. Crankcase capacity is 10.6 fluid ounces (313.5 mL). Oil level should be to the MAX mark on the dipstick.

NOTE: If the oil is added too quickly, it will overflow and appear to be full.

8. Replace dipstick.

STORAGE

Before you store the air compressor, make sure you do the following:

1. Review the **Maintenance** section on the preceding pages and perform scheduled maintenance as necessary.
2. Drain water from air tank. See **To Drain Tank** under **Maintenance** section for instructions.

⚠ WARNING: Water will condense in the air tank. If not drained, water will corrode and weaken the air tank causing a risk of air tank rupture.

3. Protect the electrical cord and air hose from damage (such as being stepped on or run over). Wind air hose loosely around the compressor handle.
4. Store the air compressor in a clean and dry location.

SERVICE

REPLACEMENT PARTS

Use only identical replacement parts. For a parts list or to order parts, visit our service website at www.portercable.com You can also order parts from your nearest PORTER-CABLE Factory Service Center or PORTER-CABLE Authorized Warranty Service Center. Or, you can call our Customer Care Center at 1-888-848-5175.

SERVICE AND REPAIRS

All quality tools will eventually require servicing and/or replacement of parts. For information about PORTER-CABLE, its factory service centers or authorized warranty service centers, visit our website at www.portercable.com or call our Customer Care Center at 1-888-848-5175. All repairs made by our service centers are fully guaranteed against defective material and workmanship. We cannot guarantee repairs made or attempted by others.

You can also write to us for information at PORTER-CABLE, 4825 Highway 45 North, Jackson, Tennessee 38305 - Attention: Product Service. Be sure to include all of the information shown on the nameplate of your tool (model number, type, serial number, etc.).

ACCESSORIES

⚠ WARNING: Since accessories, other than those offered by PORTER-CABLE, have not been tested with this product, use of such accessories with this tool could be hazardous. To reduce the risk of injury, only PORTER-CABLE recommended accessories should be used with this product.

A complete line of accessories is available from your PORTER-CABLE Factory Service Center or a PORTER-CABLE Authorized Warranty Service Center. Please visit our Web Site www.portercable.com for a catalog or for the name of your nearest supplier.

TROUBLESHOOTING

⚠ WARNING: Risk of Unsafe Operation. Unit cycles automatically when power is on. When servicing, you may be exposed to voltage sources, compressed air, or moving parts. Before servicing unit unplug or disconnect electrical supply to the air compressor, bleed tank of pressure, and allow the air compressor to cool.

PROBLEM	CAUSE	CORRECTION
Excessive tank pressure - safety valve pops off.	Pressure switch does not shut off motor when compressor reaches "cut-out" pressure.	Move Auto/Off lever to the "Off" position, if the outfit does not shut off have checked by a Trained Service Technician.
	Pressure switch "cut-out" too high.	Have checked by a Trained Service Technician.

PROBLEM	CAUSE	CORRECTION
Air leaks at fittings.	Tube fittings are not tight enough.	Tighten fittings where air can be heard escaping. Check fittings with soapy water solution. Do Not Overtighten.
Air leaks in air tank or at air tank welds.	Defective air tank.	Air tank must be replaced. Do not repair the leak. ⚠ WARNING: Risk bursting. Do not drill into, weld or otherwise modify air tank or it will weaken. The tank can rupture or explode.
Air leaks between head and valve plate.	Leaking seal.	Have checked by a Trained Service Technician.
Air leak from safety valve.	Possible defect in safety valve.	Operate safety valve manually by pulling on ring. If valve still leaks, it should be replaced.
Pressure reading on the regulated pressure gauge drops when an accessory is used.	It is normal for "some" pressure drop to occur.	If there is an excessive amount of pressure drop when the accessory is used, adjust the regulator following the instructions in the Description of Operation paragraph in the Operation Section. NOTE: Adjust the regulated pressure under flow conditions (while accessory is being used).
Compressor is not supplying enough air to operate accessories.	Prolonged excessive use of air.	Decrease amount of air usage.
	Compressor is not large enough for air requirement.	Check the accessory air requirement. If it is higher than the SCFM or pressure supplied by your air compressor, you need a larger compressor.
	Hole in hose.	Check and replace if required.
	Check valve restricted.	Have checked by a Trained Service Technician.
	Air leaks.	Tighten fittings.
	Restricted air intake filter.	Replace air intake filter. ⚠ CAUTION: Risk of unsafe operation. Do not operate without air intake filter.
Regulator knob has continuous air leak.	Damaged regulator.	Have checked by a Trained Service Technician.
Regulator will not shut off air outlet.	Damaged regulator.	Have checked by a Trained Service Technician.

PROBLEM	CAUSE	CORRECTION
Motor will not run.	Fuse blown, circuit breaker tripped.	<p>Check fuse box for blown fuse and replace as necessary. Reset circuit breaker. Do not use a fuse or circuit breaker with higher rating than that specified for your particular branch circuit.</p> <p>Check for proper fuse. You should use a time delay fuse.</p> <p>Check for low voltage problem.</p> <p>Check the extension cord.</p> <p>Disconnect the other electrical appliances from circuit or operate the compressor on its own branch circuit.</p>
	Extension cord is wrong length or gauge.	Check the extension cord.
	Loose electrical connections.	Check wiring connection under pressure switch cover.
	Possible defective motor or starting capacitor.	Have checked by a Trained Service Technician.
	Motor overload protection switch has tripped.	Refer to Motor Overload Protection under Operation . If motor overload protection trips frequently, have checked by a Trained Service Technician.
	Tank pressure exceeds pressure switch "cut-in" pressure.	Motor will start automatically when tank pressure drops below "cut-in" pressure of pressure switch.
	Check valve stuck open.	Have checked by a Trained Service Technician.
Motor will not run.	Paint spray on internal motor parts.	Have checked by a Trained Service Technician. Do not operate the compressor in the paint spray area. See flammable vapor warning.
	Pressure release valve on pressure switch has not unloaded head pressure.	Bleed the line by pushing the Auto/Off switch on the pressure switch to the "Off" position; if the valve does not open, replace switch.
Knocking Noise.	Possible defect in safety valve.	Operate safety valve manually by pulling on ring. If valve still leaks, it should be replaced.
	Defective check valve.	Have checked by a Trained Service Technician.
	Carbon build-up in pump.	Have checked by a Trained Service Technician.
Squealing sound.	Compressor pump has no oil.	See Pump Oil-Checking paragraph in the Maintenance section.
Air vent on dipstick is blocked.	Air vent clogged with debris.	Clean air vent or replace dipstick.

FULL ONE YEAR WARRANTY

PORTER-CABLE industrial tools are warranted for one year from date of purchase. We will repair, without charge, any defects due to faulty materials or workmanship. For warranty repair information, call 1-888-848-5175. This warranty does not apply to accessories or damage caused where repairs have been made or attempted by others. This warranty gives you specific legal rights and you may have other rights which vary in certain states or provinces.

LATIN AMERICA: This warranty does not apply to products sold in Latin America. For products sold in Latin America, see country specific warranty information contained either in the packaging, call the local company or see website for warranty information.

FREE WARNING LABEL REPLACEMENT: If your warning labels become illegible or are missing, call 1-888-848-5175 for a free replacement.

▲WARNING	▲ADVERTENCIA	▲AVERTISSEMENT
<p>● TO RELEAS THE RISK OF BURSTING, BEFORE STARTING THE COMPRESSOR, PULL THE TRIGGER ON THE SAFETY VALVE TO RELEASE THE PRESSURE FROM THE COMPRESSOR. PULL THE TRIGGER ON THE SAFETY VALVE TO RELEASE THE PRESSURE FROM THE COMPRESSOR. PULL THE TRIGGER ON THE SAFETY VALVE TO RELEASE THE PRESSURE FROM THE COMPRESSOR.</p> <p>⚠ CAUTION RISK OF BURSTING. BEFORE STARTING THE COMPRESSOR, PULL THE TRIGGER ON THE SAFETY VALVE TO RELEASE THE PRESSURE FROM THE COMPRESSOR. PULL THE TRIGGER ON THE SAFETY VALVE TO RELEASE THE PRESSURE FROM THE COMPRESSOR. PULL THE TRIGGER ON THE SAFETY VALVE TO RELEASE THE PRESSURE FROM THE COMPRESSOR.</p> <p>⚠ WARNING RISK OF BURSTING. BEFORE STARTING THE COMPRESSOR, PULL THE TRIGGER ON THE SAFETY VALVE TO RELEASE THE PRESSURE FROM THE COMPRESSOR. PULL THE TRIGGER ON THE SAFETY VALVE TO RELEASE THE PRESSURE FROM THE COMPRESSOR. PULL THE TRIGGER ON THE SAFETY VALVE TO RELEASE THE PRESSURE FROM THE COMPRESSOR.</p> <p>⚠ CAUTION RISK OF BURSTING. BEFORE STARTING THE COMPRESSOR, PULL THE TRIGGER ON THE SAFETY VALVE TO RELEASE THE PRESSURE FROM THE COMPRESSOR. PULL THE TRIGGER ON THE SAFETY VALVE TO RELEASE THE PRESSURE FROM THE COMPRESSOR. PULL THE TRIGGER ON THE SAFETY VALVE TO RELEASE THE PRESSURE FROM THE COMPRESSOR.</p>	<p>● ANTES DE RELIZAR EL RIESGO DE ESTALLIDO, LEA EL MANUAL DE INSTRUCCIONES ANTES DE ACTIVAR EL COMPRESOR DE AIRE.</p> <p>⚠ PRECAUCIÓN RIESGO DE ESTALLIDO. ANTES DE ACTIVAR EL COMPRESOR, PULSA EL MUELLO DE LA VALVULA DE SEGURIDAD PARA LIBERAR LA PRESION DEL COMPRESOR. PULSA EL MUELLO DE LA VALVULA DE SEGURIDAD PARA LIBERAR LA PRESION DEL COMPRESOR. PULSA EL MUELLO DE LA VALVULA DE SEGURIDAD PARA LIBERAR LA PRESION DEL COMPRESOR.</p> <p>⚠ ADVERTENCIA RIESGO DE RUIDO Y VIBRACION. DE CONCHER LA CARGA CUANDO CERRA EL INTERRUPTOR PARA EVITAR GOLPES Y VIBRACIONES EXCESIVAS QUE PUEDAN CAUSAR LESIONES O DAÑOS A LOS ORGANOS INTERNOS DEL CUERPO. EVITE CONTACTAR CON LA CARGA CUANDO CERRA EL INTERRUPTOR PARA EVITAR GOLPES Y VIBRACIONES EXCESIVAS QUE PUEDAN CAUSAR LESIONES O DAÑOS A LOS ORGANOS INTERNOS DEL CUERPO. EVITE CONTACTAR CON LA CARGA CUANDO CERRA EL INTERRUPTOR PARA EVITAR GOLPES Y VIBRACIONES EXCESIVAS QUE PUEDAN CAUSAR LESIONES O DAÑOS A LOS ORGANOS INTERNOS DEL CUERPO.</p> <p>⚠ ADVERTENCIA RIESGO DE RUIDO Y VIBRACION. DE CONCHER LA CARGA CUANDO CERRA EL INTERRUPTOR PARA EVITAR GOLPES Y VIBRACIONES EXCESIVAS QUE PUEDAN CAUSAR LESIONES O DAÑOS A LOS ORGANOS INTERNOS DEL CUERPO. EVITE CONTACTAR CON LA CARGA CUANDO CERRA EL INTERRUPTOR PARA EVITAR GOLPES Y VIBRACIONES EXCESIVAS QUE PUEDAN CAUSAR LESIONES O DAÑOS A LOS ORGANOS INTERNOS DEL CUERPO.</p>	<p>● LIRE LE MANUEL D'INSTRUCTIONS AVANT DE MARCHER LE COMPRESOR AFINER LIBERER LE RISQUE DE BURSTING.</p> <p>⚠ ATTENTION RISQUE D'EXPLOSION. AVANT DE DEMARRER LE COMPRESOR, TIREZ SUR LE MUELLO DE LA VALVULA DE SECURITE POUR LIBERER LA PRESION DU COMPRESOR. TIREZ SUR LE MUELLO DE LA VALVULA DE SECURITE POUR LIBERER LA PRESION DU COMPRESOR. TIREZ SUR LE MUELLO DE LA VALVULA DE SECURITE POUR LIBERER LA PRESION DU COMPRESOR.</p> <p>⚠ AVERTISSEMENT RISQUE D'EXPLOSION OU DE VIBRATION. DEBARRASSEZ-VOUS DE LA CHARGE QUAND VOUS FERMEZ LE COMMANDEMENT POUR EVITER LES COUPS ET LES VIBRATIONS EXCESSIVES QUI PEUVENT CAUSER DES BLESSURES OU DES DOMMAGES A L'INTERIEUR DU CORPS. EVITEZ LE CONTACT AVEC LA CHARGE QUAND VOUS FERMEZ LE COMMANDEMENT POUR EVITER LES COUPS ET LES VIBRATIONS EXCESSIVES QUI PEUVENT CAUSER DES BLESSURES OU DES DOMMAGES A L'INTERIEUR DU CORPS.</p> <p>⚠ AVERTISSEMENT RISQUE DE BLESSURE CORPUELLE. EVITEZ LE CONTACT AVEC LE COMMANDEMENT AVANT D'ARRETER LE COMPRESOR. EVITEZ LE CONTACT AVEC LE COMMANDEMENT AVANT D'ARRETER LE COMPRESOR. EVITEZ LE CONTACT AVEC LE COMMANDEMENT AVANT D'ARRETER LE COMPRESOR.</p>

▲WARNING

RISK OF BURSTING. RUSTED TANK CAN CAUSE EXPLOSION. DRAIN TANK AFTER EACH USE. TILT TANK TO FULLY DRAIN.

▲ADVERTENCIA

RIESGO DE ROTURA. LA OXIDACION DEL TANQUE PUEDE PROVOCAR UNA EXPLOSION. DESAGOTE EL TANQUE DESPUES DE CADA USO. INCLINE EL TANQUE PARA DESAGOTARLO COMPLETAMENTE.

▲AVERTISSEMENT

RISQUE DE RUPTURE. UN RESERVOIR ROUILLE PEUT EXPLOSER. VIDER LE RESERVOIR APRES CHAQUE UTILISATION. INCLINER LE RESERVOIR POUR LE VIDER COMPLETEMENT.

▲WARNING

HOT PUMP SURFACE. RISK OF BURNS. DO NOT TOUCH.

▲ADVERTENCIA

SUPERFICIE CALIENTE DE LA BOMBA. RIESGO DE QUEMADURAS. NO TOCAR.

▲AVERTISSEMENT

SURFACE DE LA POMPE A CHALEUR. RISQUES DE BRULURES. NE PAS TOUCHER.

▲WARNING

REMOVE TANK FROM SERVICE AFTER YEAR: 2024

▲ADVERTENCIA

RETIRE EL TANQUE DEL SERVICIO DESPUES DEL AÑO: 2024

▲AVERTISSEMENT

METTRE LE RESERVOIR HORS SERVICE APRES L'ANNEE: 2024

MESURES DE SÉCURITÉ - DÉFINITIONS

Ce guide contient des renseignements importants que vous devez bien saisir. Cette information porte sur VOTRE SÉCURITÉ et sur LA PRÉVENTION DE PROBLÈMES D'ÉQUIPEMENT. Afin de vous aider à identifier cette information, nous avons utilisé les symboles ci-dessous. Veuillez lire attentivement ce guide en portant une attention particulière à ces symboles.

<p>⚠ DANGER : Indique un danger imminent qui, s'il n'est pas évité, causera de graves blessures ou la mort.</p>	<p>⚠ ATTENTION : Indique la possibilité d'un danger qui, s'il n'est pas évité, peut causer des blessures mineures ou moyennes.</p>
<p>⚠ AVERTISSEMENT : Indique la possibilité d'un danger qui, s'il n'est pas évité, pourrait causer de graves blessures ou la mort.</p>	<p>⚠ AVIS: Indique une pratique ne posant aucun risque de dommages corporels mais qui par contre, si rien n'est fait pour l'éviter, pourrait poser des risques de dommages matériels.</p>

CONSIGNES DE SÉCURITÉ IMPORTANTES

⚠ AVERTISSEMENT : Ce produit contient des produits chimiques reconnus par l'État de la Californie comme étant cancérigènes et pouvant entraîner des anomalies congénitales ou d'autres problèmes liés aux fonctions reproductrices. **Se laver les mains après toute manipulation.**

⚠ AVERTISSEMENT : Certaines poussières contiennent des produits chimiques reconnus par l'État de la Californie comme cancérigènes et pouvant entraîner des anomalies congénitales et d'autres problèmes liés aux fonctions reproductrices, tels que l'amiante et le plomb contenus dans les peintures au plomb.

⚠ AVERTISSEMENT : Afin de réduire le risque de blessures, lire le mode d'emploi de l'outil.



CONSERVER CES DIRECTIVES

DANGER



⚠ DANGER : RISQUE D'EXPLOSION OU D'INCENDIE

CE QUI PEUT SE PRODUIRE	COMMENT L'ÉVITER
<ul style="list-style-type: none"> Il est normal que des contacts électriques dans le moteur et le manoccontacteur fassent une étincelle. 	<ul style="list-style-type: none"> Faites toujours fonctionner le compresseur dans une zone bien aérée sans matière combustible, essence ou vapeur de solvant.
<ul style="list-style-type: none"> Si une étincelle électrique provenant du compresseur entre en contact avec des vapeurs inflammables, elle peut s'enflammer et causer un incendie ou une explosion. 	<ul style="list-style-type: none"> Si vous aspergez des matériaux inflammables, placez le compresseur à au moins 6,1 m (20 pieds) de la zone pulvérisée. Il est possible que vous ayez besoin d'une longueur de tuyau additionnelle. Entreposez les matières inflammables dans un endroit sécuritaire, éloigné du compresseur.

<ul style="list-style-type: none"> Le fait de limiter les ouvertures d'aération de compresseur causera une importante surchauffe et pourrait causer un incendie. 	<ul style="list-style-type: none"> Ne placez jamais des objets contre le compresseur ou sur celui-ci. Faites fonctionner le compresseur dans un endroit aéré à au moins 30,5 cm (12 po) du mur ou de l'obstruction qui pourrait limiter le débit d'air frais dans les ouvertures d'aération. Faites fonctionner le compresseur dans un endroit propre, sec et bien aéré. Ne pas utiliser l'appareil dans un endroit exigü. Magasin à l'intérieur.
<ul style="list-style-type: none"> Le fonctionnement de ce produit sans surveillance pourrait se solder par des blessures personnelles ou des dommages à la propriété. Afin de réduire le risque d'incendie, ne pas laisser le compresseur fonctionner sans surveillance. 	<ul style="list-style-type: none"> Être toujours présent lorsque le produit est en marche. Toujours éteindre et débrancher l'appareil si non utilisé.

DANGER



▲ DANGER : RISQUE REPIRATOIRE (ASPHYXIE)

CE QUI PEUT SE PRODUIRE	COMMENT L'ÉVITER
<ul style="list-style-type: none"> Il est dangereux de respirer l'air comprimé sortant du compresseur. Le flux d'air peut contenir du monoxyde de carbone, des vapeurs toxiques ou des particules solides provenant du réservoir d'air. La respiration de ces contaminants peut causer de sérieuses blessures, voire la mort. Une exposition aux produits chimiques présents dans la poussière générée par les activités de ponçage, sciage, meulage, perçage et autres, peut être nocive. Les matériaux vaporisés comme la peinture, les solvants de peinture, les décapants, les insecticides, les herbicides, pourraient contenir des vapeurs nocives et du poison. 	<ul style="list-style-type: none"> Ne jamais utiliser l'air obtenu directement du compresseur pour l'alimentation en air destinée à la consommation humaine. Le compresseur n'est pas muni de filtres et d'équipement de sécurité en ligne qui conviennent à la consommation humaine. Travailler dans un endroit ayant une bonne aération transversale. Lire et respecter les directives en matière de sécurité imprimées sur l'étiquette ou les fiches signalétiques des matériaux qui sont pulvérisés. Toujours utiliser un équipement de sécurité homologué : une protection respiratoire conforme aux normes NIOSH/OSHA, ou un masque facial bien ajusté, conçu spécifiquement pour votre utilisation particulière.

DANGER



⚠ AVERTISSEMENT : RISQUE D'ÉCLATEMENT

Réservoir d'air comprimé : Le 26 février 2002, la U.S. Consumer Product Safety Commission américaine a publié la règle n° 02-108 portant sur la sécurité en matière de réservoir d'air comprimé des compresseurs :

Les réservoirs d'air comprimé des compresseurs n'ont pas une durée de vie illimitée. La durée de vie des réservoirs dépend de plusieurs facteurs, qui comprennent entre autres : les conditions d'utilisation, les conditions ambiantes, une installation adéquate, les modifications sur site, et le niveau de maintenance. L'effet exact que peut avoir ces facteurs sur la durée de vie des réservoirs d'air est difficilement prévisible.

Si les procédures adéquates de maintenance ne sont pas suivies, la corrosion sur la paroi interne du réservoir d'air comprimé peut faire que celui-ci éclate de façon inopinée laissant soudainement l'air pressurisé s'échapper avec force, posant ainsi des risques de dommages corporels à l'utilisateur.

Le réservoir d'air de votre compresseur doit être mis hors service à la fin de l'année mentionnée sur l'étiquette d'avertissement apposée sur le réservoir.

Les conditions suivantes peuvent amener la dégradation du réservoir d'air, et faire que ce dernier explose violemment :

CE QUI PEUT SE PRODUIRE	COMMENT L'ÉVITER
<ul style="list-style-type: none">• L'eau condensée n'est pas correctement vidangée du réservoir d'air provoquant ainsi la formation de rouille et un amincissement du réservoir d'air en acier.	<ul style="list-style-type: none">• Vidanger le réservoir d'air quotidiennement ou après chaque utilisation. Si le réservoir présente une fuite, le remplacer immédiatement par un nouveau réservoir d'air ou par un nouveau compresseur.
<ul style="list-style-type: none">• Modifications apportées au réservoir d'air ou tentatives de réparation.	<ul style="list-style-type: none">• Ne jamais percer un trou dans le réservoir d'air ou ses accessoires, y faire de la soudure ou y apporter quelque modification que ce soit. Ne jamais essayer de réparer un réservoir d'air endommagé ou avec des fuites. Le remplacer par un nouveau réservoir d'air.
<ul style="list-style-type: none">• Des modifications non autorisées de la soupape de sûreté ou de tous autres composants qui régissent la pression du réservoir d'air.	<ul style="list-style-type: none">• Le réservoir d'air a été conçu pour supporter des pressions spécifiques de fonctionnement. Ne faites jamais effectuer de réglages ou de substitutions de pièces en vue de modifier les pressions de fonctionnement réglées en usine.

ACCESSOIRES :

- | | |
|--|---|
| <ul style="list-style-type: none">• Lorsqu'on excède la pression nominale des outils pneumatiques, des pistolets pulvérisateurs, des accessoires à commande pneumatique, des pneus et d'autres dispositifs pneumatiques, on risque de les faire exploser ou de les projeter et ainsi entraîner des blessures graves. | <ul style="list-style-type: none">• Respecter les recommandations du fabricant de l'équipement et ne jamais dépasser la pression nominale maximale permise des accessoires. Ne jamais utiliser le compresseur pour gonfler de petits objets à basse pression comme des jouets d'enfant, des ballons de football et de basket-ball, etc. |
|--|---|

PNEUS :

- **Des pneus surgonflés pourraient provoquer des blessures graves et des dommages à la propriété.**
- Utiliser un manomètre pour vérifier la pression des pneus avant chaque utilisation et lors du gonflage; consulter le flanc de pneu pour obtenir la pression correcte.
REMARQUE : Les réservoirs d'air comprimé, compresseurs et autres équipements similaires utilisés pour gonfler les pneus peuvent remplir ces derniers très rapidement. Régler le régulateur de pression d'air à une pression moindre que celle indiquée sur le pneu. Ajouter de l'air par petite quantité et utiliser fréquemment le manomètre pour empêcher un surgonflage.

DANGER



⚠ AVERTISSEMENT : RISQUE DE CHOC ÉLECTRIQUE

CE QUI PEUT SE PRODUIRE	COMMENT L'ÉVITER
<ul style="list-style-type: none">• Votre compresseur d'air est alimenté à l'électricité. Tout comme n'importe quel autre dispositif alimenté de façon électrique, s'il n'est pas utilisé correctement, il peut causer un choc électrique.	<ul style="list-style-type: none">• Ne faites jamais fonctionner le compresseur à l'extérieur lorsqu'il pleut ou dans des conditions humides.• Ne faites jamais fonctionner le compresseur avec les couvercles de protection enlevés ou endommagés.
<ul style="list-style-type: none">• Les tentatives de réparation par un personnel non qualifié peuvent résulter en de graves blessures, voire la mort par électrocution.	<ul style="list-style-type: none">• Tout câblage électrique ou toute réparation nécessaire pour ce produit doit être pris en charge par un centre de réparation en usine autorisé conformément aux codes électriques nationaux et locaux.
<ul style="list-style-type: none">• Mise à la terre électrique : Le fait de ne pas faire une mise à la terre adéquate de ce produit pourrait résulter en des blessures graves voire la mort par électrocution. Consulter les directives relatives à la mise à la terre sous <i>Installation</i>.	<ul style="list-style-type: none">• Assurez-vous que le circuit électrique auquel le compresseur est branché fournit une mise à la terre électrique adéquate, une tension appropriée et une bonne protection des fusibles.

DANGER



⚠ AVERTISSEMENT : RISQUE PROVENANT DES OBJETS PROJÉTÉS EN L'AIR

CE QUI PEUT SE PRODUIRE

- Le flux d'air comprimé peut endommager les tissus mous de la peau exposée et peut projeter la poussière, des fragments, des particules détachées et des petits objets à haute vitesse, ce qui entraînerait des dommages et des blessures personnelles.

COMMENT L'ÉVITER

- Toujours utiliser de l'équipement de sécurité homologué : protection oculaire conforme à la norme ANSI Z87.1 (CAN/CSA Z94.3) munie d'écrans latéraux lors de l'utilisation du compresseur.
- Ne jamais pointer une buse ou un pulvérisateur vers une partie du corps ou vers d'autres personnes ou des animaux.
- Toujours mettre le compresseur hors tension et purger la pression du tuyau à air et du réservoir d'air avant d'effectuer l'entretien, de fixer des outils ou des accessoires.

DANGER



⚠ AVERTISSEMENT : ATTENTION SURFACES CHAUDES

CE QUI PEUT SE PRODUIRE

- Toucher à du métal exposé comme la tête du compresseur ou du moteur, la tubulure des gaz d'échappement ou de sortie, peut se solder en de sérieuses brûlures.

COMMENT L'ÉVITER

- Ne jamais toucher à des pièces métalliques exposées sur le compresseur pendant ou immédiatement après son utilisation. Le compresseur reste chaud pendant plusieurs minutes après son utilisation.
- Ne pas toucher ni effectuer des réparations aux coiffes de protection avant que l'appareil n'ait refroidi.

DANGER



⚠ AVERTISSEMENT : RISQUE ASSOCIÉ AUX PIÈCES MOBILES

CE QUI PEUT SE PRODUIRE

- Les pièces mobiles comme une poulie, un volant ou une courroie peuvent provoquer de graves blessures si elles entrent en contact avec vous ou vos vêtements.

COMMENT L'ÉVITER

- Ne jamais utiliser le compresseur si les protecteurs ou les couvercles sont endommagés ou retirés.
- Tenir les cheveux, les vêtements et les gants hors de portée des pièces en mouvement. Les vêtements amples, bijoux ou cheveux longs peuvent s'enchevêtrer dans les pièces mobiles.
- S'éloigner des événements car ces derniers pourraient camoufler des pièces mobiles.

- Utiliser le compresseur avec des pièces endommagées ou manquantes ou le réparer sans coiffes de protection risque de vous exposer à des pièces mobiles et peut se solder par de graves blessures.
- Toutes les réparations requises pour ce produit devraient être effectuées par un centre de réparation de un centre de réparation autorisé.

DANGER



⚠ AVERTISSEMENT :

RISQUE ASSOCIÉ À UTILISATION DANGEREUSE

CE QUI PEUT SE PRODUIRE

- Une utilisation dangereuse de votre compresseur d'air pourrait provoquer de graves blessures, voire votre décès ou celle d'autres personnes.

COMMENT L'ÉVITER

- Revoir et comprendre toutes les directives et les avertissements contenus dans le présent mode d'emploi.
- Se familiariser avec le fonctionnement et les commandes du compresseur d'air.
- Dégager la zone de travail de toutes personnes, animaux et obstacles.
- Tenir les enfants hors de portée du compresseur d'air en tout temps.
- Ne pas utiliser le produit en cas de fatigue ou sous l'emprise d'alcool ou de drogues. Rester vigilant en tout temps.
- Ne jamais rendre inopérant les fonctionnalités de sécurité du produit.
- Installer un extincteur dans la zone de travail.
- Ne pas utiliser l'appareil lorsqu'il manque des pièces ou que des pièces sont brisées ou non autorisées.
- Ne jamais se tenir debout sur le compresseur.

DANGER



⚠ AVERTISSEMENT :

RISQUE DE CHUTE

CE QUI PEUT SE PRODUIRE

- Un compresseur portatif peut tomber d'une table, d'un établi ou d'un toit et causer des dommages au compresseur, ce qui pourrait résulter en de graves blessures, voire la mort de l'opérateur.

COMMENT L'ÉVITER

- Toujours faire fonctionner le compresseur alors qu'il est dans une position sécuritaire et stable afin d'empêcher un mouvement accidentel de l'appareil. Ne jamais faire fonctionner le compresseur sur un toit ou sur toute autre position élevée. Utiliser un tuyau d'air supplémentaire pour atteindre les emplacements en hauteur.

DANGER



⚠ AVERTISSEMENT : RISQUE ASSOCIÉ AU BRUIT

CE QUI PEUT SE PRODUIRE

- Dans certaines conditions et selon la durée d'utilisation, le bruit provoqué par ce produit peut contribuer à une perte auditive.

COMMENT L'ÉVITER

- Porter systématiquement une protection auditive appropriée durant l'utilisation.

DANGER



⚠ AVERTISSEMENT : RISQUE DE BLESSURE EN SOULEVANT LE PRODUIT

CE QUI PEUT SE PRODUIRE

- Soulever un objet trop lourd peut se solder par de graves blessures.

COMMENT L'ÉVITER

- Le compresseur est trop lourd pour être soulevé par une seule personne. Demander de l'aide avant de le soulever.

DANGER



⚠ AVERTISSEMENT : RISQUE DE BLESSURES OU DE DOMMAGES À LA PROPRIÉTÉ LORS DU TRANSPORT OU DU RANGEMENT

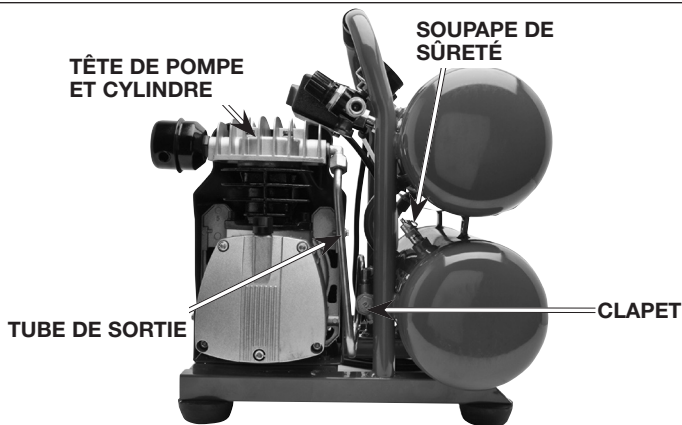
CE QUI PEUT SE PRODUIRE

- L'huile peut fuir ou se déverser. Cela pourrait se solder par un incendie ou un danger d'inhalation; des blessures graves ou un décès. Les fuites d'huile endommageront le tapis, la peinture ou toutes autres surfaces de véhicules ou de remorques.

COMMENT L'ÉVITER

- Toujours installer le compresseur sur un revêtement protecteur lors du transport pour protéger le véhicule de tous dommages associés aux fuites. Retirer immédiatement le compresseur du véhicule dès l'arrivée à destination. Toujours tenir le compresseur à niveau et ne jamais le déposer sur son côté.

SURFACES CHAUDES



**CONSERVER CES DIRECTIVES
POUR UN USAGE ULTÉRIEUR**

SPECIFICATIONS

Modèle no	PCFP02040
Tension / ampères /monophasée	120/14A/60
Exigence minimale du circuit de dérivation	15 A
Genre de fusibles	À retardement
Capacité du réservoir d'air	15,1 litres (4 gallons)
Volume réservoir d'huile	313.5 mL (10,6 onces)
Pression l'amorçage approx.	105 lb/po ²
Pression de rupture approx.	135 lb/po ²
pi ³ /min standard (SCFM) à 40 lb/po ²	4,9 *
pi ³ /min standard (SCFM) à 90 lb/po ²	3,4 *
Poids	26,5 kg (58,4 livres)

*Testé conformément à la norme ISO 1217

Refiérase al glosario para descifrar las abreviaturas.

LEXIQUE

Veillez vous familiariser avec ces termes avant d'utiliser l'appareil.

CFM : pieds cubes par minute (pi³/min).

SCFM : pieds cubes par minute (pi³/min) standard. Une unité de mesure de débit d'air.

PSIG : jauge indiquant le nombre de livres par pouce carré (lb/po²). Une unité de mesure de pression.

Codes de certification : les produits portant une ou plusieurs des mentions suivantes (UL®, CUL, CULUS, ETL®, CETL, CETLUS) ont été évalués par des laboratoires indépendants de sécurité certifiés par l'OSHA et répondent aux normes de sécurité applicables.

Pression d'amorçage : Lorsque le moteur est arrêté, la pression du réservoir d'air s'abaisse tandis qu'on continue d'utiliser l'accessoire. Quand la pression du réservoir tombe à un niveau bas réglé à l'usine, le moteur se remet automatiquement en marche. La basse pression à laquelle le moteur se remet automatiquement en marche s'appelle la « pression d'amorçage ».

Pression de rupture : Lorsqu'on met un compresseur d'air en marche et qu'il commence à fonctionner, la pression d'air dans le réservoir commence à s'accumuler. La pression monte et atteint un niveau élevé réglé à l'usine, avant que le moteur ne s'arrête automatiquement, protégeant ainsi le réservoir d'air d'un taux de pression qui excéderait sa capacité. La haute pression à laquelle le moteur s'arrête s'appelle la « pression de rupture ».

Circuit de dérivation : Le circuit acheminant l'électricité du tableau électrique vers la prise murale.

CYCLE DE SERVICE

Pour une utilisation adéquate de votre compresseur d'air, il est recommandé de maintenir un cycle de service de 50 %, ce qui signifie que sur une période de 10 minutes, le compresseur d'air ne doit pas être en fonction plus de 5 minutes.

ASSEMBLAGE

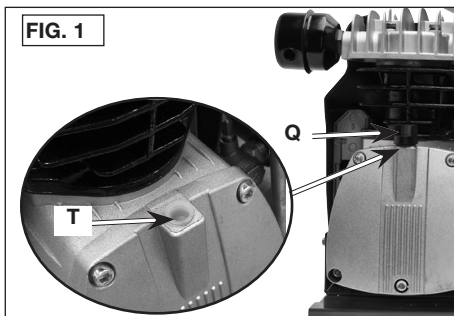
DÉBALLAGE

Retirez l'appareil de sa boîte et jetez tout l'emballage.

CONTRÔLER L'HUILE DE LA POMPE (FIG 1)

AVIS: Le compresseur a été expédié avec de l'huile dans le carter. Un bouchon d'expédition est utilisé pour éviter toute fuite d'huile pendant le transport. N'essayez pas de faire fonctionner ce compresseur d'air sans avoir préalablement vérifié le niveau d'huile. De sérieux dommages pourraient être causés par un fonctionnement, même limité, en l'absence d'huile dans la pompe et sans aucun rodage. Respecter à la lettre les directives du **Réglage initial** sous **Fonctionnement**.

AVIS: Risque de dommages matériels. Utiliser seulement de l'huile non-détergente SAE 40 pour compresseurs d'air. Des huiles multigrades pour moteur automobile, comme l'huile 10W30, ne doivent pas être utilisées dans des compresseurs d'air. Elles laissent des dépôts de carbone sur des composants importants, réduisant ainsi la performance et la durée de vie du compresseur.

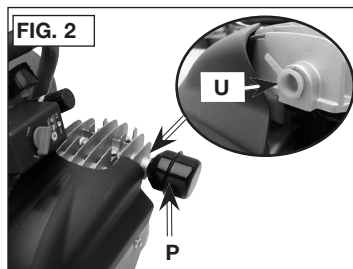


1. Déposer l'appareil sur une surface à niveau.
2. Retirer le bouchon de transport (T) et insérer la jauge (Q).
3. Vérifier le niveau d'huile. Consulter le paragraphe **l'huile de la pompe-Vérifique** sous la section **Entretien** pour obtenir des instructions.

ASSEMBLER LE FILTRE D'ADMISSION D'AIR (FIG 2)

⚠ ATTENTION : Risque de fonctionnement non sécuritaire. Ne pas faire fonctionner l'appareil sans filtre d'admission d'air.

Retirer le bouchon de transport (U) de l'entrée d'air et assembler le filtre d'admission d'air (P). Bien serrer.



INSTALLATION

MONTAGE DE L'APPAREIL

EMPLACEMENT DU COMPRESSEUR D'AIR

- Le compresseur d'air doit être situé dans un endroit propre, sec et bien aéré.
- Le compresseur d'air devrait être situé à une distance d'au moins 30,5 cm (12 po) de tout mur ou autre obstruction qui pourrait bloquer le débit d'air.
- La pompe et la tôle de protection du compresseur sont conçus pour permettre un refroidissement approprié. Les ouvertures d'aération du compresseur sont nécessaires pour maintenir la température de fonctionnement appropriée. Ne placez pas de chiffons ou de contenants sur ou à proximité de ces ouvertures.

- Éloigner le compresseur des endroits renfermant des poussières et/ou des vapeurs volatiles dans l'atmosphère. Ces impuretés peuvent obstruer le filtre d'admission d'air et les soupapes et nuire au rendement du compresseur.
- Déposer le compresseur d'air sur une surface plane et sur ces pattes de caoutchouc.
- Place the air compressor on a flat surface resting on the rubber feet.

REMARQUES À PROPOS DU BRUIT

Consulter les organismes de réglementation de votre région pour connaître les niveaux de bruit tolérés. Pour réduire le bruit excessif, utiliser un montage antivibratile ou des atténuateurs sonores. Repositionner l'appareil ou construire une enceinte close ou des murs déflecteurs. Communiquer avec un technicien de service formé pour obtenir de l'aide.

ÉLECTRICITÉ (FIG. 4)

Consulter toutes les directives de sécurité avant d'utiliser l'appareil. Respecter les directives de sécurité du cordon d'alimentation le cas échéant. Toujours mettre l'interrupteur Marche/Arrêt (D) en position « Off » avant de retirer la fiche de la prise.

TRANSPORT

Lors du transport du compresseur d'air dans un véhicule, une remorque, etc. s'assurer que le réservoir d'air soit bien purgé et que l'appareil soit bien ancré. Conduire prudemment pour éviter de basculer l'appareil dans le véhicule. Un basculement risque d'endommager le compresseur ou les pièces contiguës.

DÉPLACEMENT

Lors du transport du compresseur, saisir la poignée et le tenir aussi près du corps que possible.

⚠ AVERTISSEMENT : Risque d'utilisation dangereuse. Garder les pieds bien ancrés et faire preuve d'une grande prudence en transportant le compresseur afin d'éviter de perdre l'équilibre.

DIRECTIVES DE MISE À LA TERRE (FIG. 3)

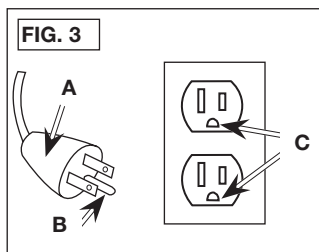
⚠ AVERTISSEMENT : RISQUE DE CHOC ÉLECTRIQUE ! En cas de court-circuit, la mise à la terre réduit le risque de choc en fournissant un fil de fuite pour le courant électrique. Ce compresseur d'air doit être adéquatement mis à la terre.

Ce compresseur d'air portatif est doté d'un cordon muni d'un fil de mise à la terre et d'une fiche appropriée de mise à la terre (A).

1. Le cordon fourni avec cet appareil comprend une fiche (A) avec broche de mise à la terre (B). La fiche DOIT être insérée dans une prise de courant mise à la terre (C).

IMPORTANT: La prise de courant utilisée doit être installée et mise à la terre conformément à tous les codes et ordonnances électriques locaux.

2. Assurez-vous que la prise de courant utilisée a la même configuration que la fiche de mise à la terre. NE PAS UTILISER UN ADAPTATEUR. Voir figura 3.
3. Inspectez la fiche et le cordon avant chaque utilisation. Ne pas les utiliser s'il y a des signes de dommages.
4. Si vous ne comprenez pas tout à fait ces directives de mise à la terre, ou s'il y a des doutes que le compresseur soit mis à la terre de manière appropriée, faire vérifier l'installation par un électricien qualifié.



⚠ DANGER : RISQUE DE CHOC ÉLECTRIQUE ! UNE MISE À LA TERRE INAPPROPRIÉE PEUT ENTRAÎNER DES CHOCs ÉLECTRIQUES.

Ne modifiez pas la fiche fournie. Si elle ne convient pas à la prise de courant disponible, une prise appropriée doit être installée par un électricien qualifié. Toute réparation du cordon ou de la fiche DOIT être effectuée par un électricien qualifié.

RALLONGES

Si une rallonge doit être utilisée, s'assurer :

- d'utiliser une rallonge à trois fils, munie d'une fiche à trois lames avec mise à la terre et une prise de courant à trois fentes qui accepte la fiche de la rallonge;
- qu'elle est en bon état;
- qu'elle n'excède pas 15,2 m (50 pi);
- que les fils sont d'un calibre minimum de 12 AWG. (La grosseur du fil augmente comme le numéro de calibre diminue. Les fils de calibre 10 AWG et 8 AWG peuvent également être utilisés. NE PAS UTILISER UN FIL DE CALIBRE 14 OU 16 AWG.)

AVIS: **Risque de dommages à la propriété.** L'utilisation d'une rallonge produira une chute de tension qui entraînera une perte de puissance au moteur ainsi qu'une surchauffe. Au lieu d'utiliser une rallonge électrique, augmentez plutôt la longueur du boyau d'air en connectant un autre boyau à l'extrémité. Connectez des boyaux supplémentaires au besoin.

PROTECTION CONTRE LA SURTENSION ET PROTECTION DU CIRCUIT

Consulter le **Spécifications** pour connaître les exigences minimums concernant la tension et le circuit de dérivation.

⚠ ATTENTION : Risques de surchauffe. Certains modèles de compresseur d'air peuvent fonctionner sur un circuit de 15 ampères si les conditions suivantes sont satisfaites :

1. Le courant d'alimentation au circuit doit être conforme aux exigences du code national de l'électricité.
2. Le circuit n'est pas utilisé pour alimenter d'autres dispositifs électriques.
3. Les rallonges sont conformes aux spécifications;
4. Le circuit est muni d'un coupe-circuit de 15 A ou d'un fusible retardé de 15 A.

REMARQUE : Si un compresseur est relié à un circuit protégé par des fusibles, n'utilisez que des fusibles à retardement. Les fusibles à retardement portent un « D » au Canada et un « T » aux États-Unis.

Si une des conditions ci-dessus ne peut être satisfaite, ou si l'utilisation du compresseur entraîne continuellement une panne de courant, il sera peut être nécessaire de brancher le compresseur sur un circuit de 20 ampères. Il n'est pas nécessaire de remplacer le cordon dans un tel cas.

COMPATIBILITÉ

Les outils pneumatiques et les accessoires utilisés avec le compresseur doivent être compatibles avec des produits dérivés du pétrole. En cas d'incompatibilité probable avec des dérivés du pétrole, utiliser un filtre de canalisation d'air pour retirer l'humidité et les vapeurs d'huile du compresseur d'air.

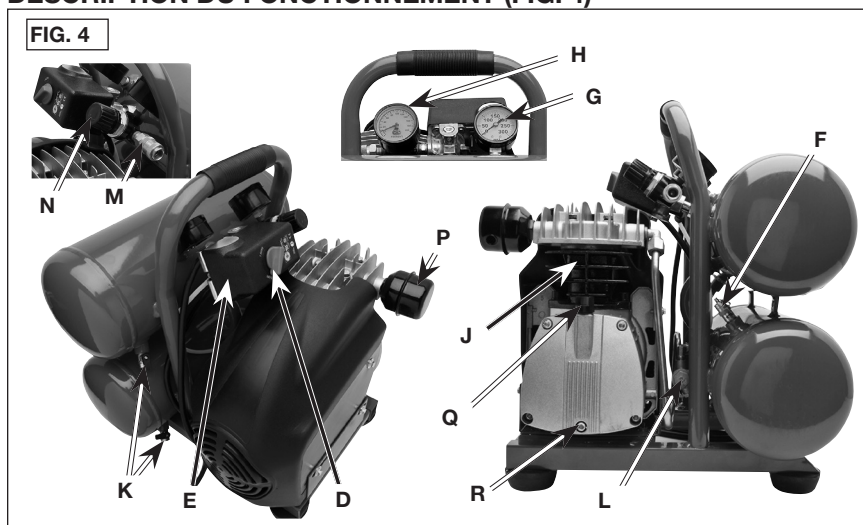
REMARQUE : toujours utiliser un filtre de canalisation d'air pour retirer l'humidité et les vapeurs d'huile lors de la pulvérisation de peinture.

UTILISATION

FAMILIARISEZ-VOUS AVEC VOTRE COMPRESSEUR D'AIR

LISEZ CE GUIDE DE L'UTILISATEUR ET TOUTES LES MESURES DE SÉCURITÉ AVANT D'UTILISER CET APPAREIL. Comparez les illustrations à votre appareil pour vous familiariser avec l'emplacement des commandes et boutons de réglage. Conservez ce guide pour références ultérieures.

DESCRIPTION DU FONCTIONNEMENT (FIG. 4)



Familiarisez-vous avec ces commandes avant d'utiliser l'appareil.

Interrupteur automatique (I)/arrêt(O) [Auto(I) / Off(O)] (D) : Placez cet interrupteur à la position de « Auto (I) » pour alimenter automatiquement le manostat et à la position « Off (O) » pour couper l'alimentation après chaque utilisation.

Manostat (E) : Le manostat démarre automatiquement le moteur lorsque la pression dans le réservoir d'air tombe à une valeur inférieure à la « pression d'amorçage » réglée à l'usine. Il arrête le moteur lorsque la pression dans le réservoir d'air atteint la « pression de rupture » réglée à l'usine.

Soupape de sûreté (F) : Si le manostat n'arrête pas le compresseur d'air lorsque la « pression de rupture » est atteinte, la soupape de sûreté protège contre toute surpression en « sautant » à la valeur de pression établie à l'usine (pression légèrement supérieure à la « pression de rupture » établie pour le manostat).

Manomètre du réservoir (G) : Le manomètre du réservoir indique la pression d'air en réserve dans le réservoir.

Régulateur de pression (H) : Le manomètre de sortie indique la pression d'air disponible à la sortie du régulateur. Cette pression est contrôlée par le régulateur et est toujours inférieure à ou égale à la pression du réservoir.

Système de refroidissement (non illustré) : Le compresseur d'air est doté d'un système de refroidissement d'avant garde. Le cœur de ce système est un ventilateur à technologie avancée. Il est tout à fait normal que ce ventilateur souffle de l'air au-dessus de la tête de la pompe, le manchon du cylindre et le carter. Vous savez que le système de refroidissement fonctionne bien lorsque de l'air est expulsé.

Pompe du compresseur d'air (J) : La pompe comprime l'air pour le forcer dans le réservoir d'air. L'air n'est pas disponible pour travailler avant que le compresseur n'ait élevé la pression du réservoir d'air au niveau requis à la sortie d'air.

Robinets de vidange (K) : Un robinet de vidange se situe à la base de chaque réservoir d'air et est utilisé pour vider la condensation à la fin de chaque utilisation.

Soupape de retenue (L) : Lorsque le compresseur fonctionne, la soupape de retenue est « ouverte », permettant à l'air comprimé d'entrer dans le réservoir d'air. Quand le compresseur d'air atteint la « pression de rupture », la soupape de retenue « se ferme », permettant à l'air pressurisé de demeurer à l'intérieur du réservoir d'air.

Protecteur de surcharge du moteur (non illustrée) : Le moteur dispose d'un protecteur de surcharge thermique. Si le moteur surchauffe, peu importe la raison, le protecteur de surcharge met le moteur hors tension. Il faut donner au moteur le temps de refroidir avant de le redémarrer. Redémarrage :

1. Mettre le levier Auto/Off en position « Off », puis débrancher l'appareil.
2. Laisser le moteur refroidir.
3. Brancher le cordon d'alimentation dans le bon réceptacle de circuit de dérivation.
4. Mettre le levier Auto/Off en position de « Auto ».

Corps universel à connexion rapide (M) : Le corps de branchement rapide universel accepte les trois styles de branchement rapide les plus populaires : industrielle, automobile, et ARO. Il suffit tout simplement d'appuyer une seule fois pour connecter le corps de branchement rapide à la prise.

Régulateur (N) : Contrôle la pression d'air montrée sur le manomètre de prise. Tirez le bouton et tournez-le dans le sens des aiguilles d'une montre pour augmenter la pression et dans le sens contraire pour réduire la pression. Une fois que la pression désirée est atteinte, poussez le bouton pour le verrouiller.

Filtre d'admission d'air (P) : Ce filtre a été conçu pour nettoyer l'air admis dans la pompe. Ce filtre doit être propre en tout temps et les ouvertures d'aération doivent être sans obstruction. Voir la section sur **Entretien**.

Jauge (Q) (non illustrée) : Indique le niveau d'huile dans la pompe : le repère MAX indique que le niveau d'huile est suffisant tandis que le repère MIN indique qu'il faut ajouter de l'huile. Consulter les paragraphes sur **l'Huile de la pompe** dans la section **Entretien** pour obtenir des instructions.

Bouchon de vidange d'huile (R) (non illustrée) : Consulter les paragraphes sur **l'Huile de la pompe** dans la section **Maintenance** pour obtenir des instructions sur la façon de changer l'huile de la pompe.

Soupape de décharge de pression (non illustrée) : La soupape de décharge de pression, située sur le côté du manostat, est conçue pour libérer automatiquement l'air comprimé de la tête du compresseur et du tube de sortie lorsque le compresseur d'air atteint la « pression de rupture » ou lorsqu'il est arrêté. La soupape de décharge de pression permet au moteur de redémarrer librement. Lorsque le moteur s'arrête, vous pouvez toujours entendre l'air sortir de cette soupape pendant quelques secondes. Vous ne devriez pas entendre une fuite d'air lorsque le moteur est en marche ni une fois que l'appareil a atteint la « pression de rupture ».

UTILISATION DE L'APPAREIL (FIG. 4)

ARRÊT DE L'APPAREIL

1. Réglez l'interrupteur Auto/Off (D) à la position « Off ».
2. Débranchez l'appareil après utilisation.

AVANT LE DÉMARRAGE

⚠ AVERTISSEMENT : Ne pas utiliser cet appareil avant d'avoir lu et compris le mode d'emploi ainsi que l'intégralité des directives de sécurité, d'utilisation et d'entretien.

RÉGLAGE INITIAL (PROCÉDURES DE RODAGE)

AVIS: Risque de dommages à la propriété. Le compresseur d'air peut subir d'importants dommages si les procédures de rodage ne sont pas suivies à la lettre.

Cette procédure doit être exécutée **avant** d'utiliser le compresseur d'air pour la première fois et après le remplacement de la soupape de retenue ou de la pompe complète du compresseur.

1. Assurez-vous que l'interrupteur Auto/Off (D) est en position « Off ».
2. Vérifiez le niveau d'huile dans la pompe. Pour les instructions, consultez les paragraphes **huile de la pompe-Vérifiez** dans la section intitulée **Entretien** para obtener instrucciones.
3. Branchez le cordon d'alimentation dans la prise de courant du circuit de dérivation approprié. (Consultez le paragraphe sur la **protection contre la surtension et la protection du circuit** de la section sur **l'installation** de ce guide.)
4. Ouvrir complètement les robinets de vidange (K) (dans le sens antihoraire) pour permettre à l'air de s'échapper et pour empêcher l'accumulation de pression d'air dans le réservoir d'air pendant la période de rodage.
5. Déplacez l'interrupteur Auto/Off à la position de « Auto ». Le compresseur se mettra en marche.
6. Faire fonctionner le compresseur pendant 20 minutes. Assurez-vous que le robinet de vidange est ouvert et que la pression d'air accumulée dans le réservoir est minimale.
7. Après 20 minutes, fermez le robinet de vidange en le tournant en sens horaire. Le récepteur d'air se remplira jusqu'à ce que l'appareil atteigne la pression « de rupture » et le moteur s'arrêtera ensuite.

Le compresseur d'air est maintenant prêt pour l'utilisation.

AVANT CHAQUE MISE EN MARCHÉ

1. Réglez l'interrupteur Auto/Off (D) à la position « Off ».
2. S'assurer que le réservoir d'air soit bien purgé, consulter la rubrique **Vidange du réservoir d'air** sous **Entretien** para obtener instrucciones.
3. S'assurer que la soupape de purge (K) soit fermée.
4. S'assurer que la soupape de sûreté (F) fonctionne correctement, consulter la rubrique **Vérification de la soupape de sûreté** sous **Entretien**.
5. Vérifier le niveau d'huile moteur, consulter la rubrique **Huile de la pompe-Vérifiez** sous **Entretien** para obtener instrucciones.

AVIS: Ne pas utiliser le compresseur sans huile ou avec une huile de qualité inadéquate. PORTER-CABLE ne peut être tenu responsable pour toute défaillance du compresseur provoquée par une huile inappropriée.

6. Branchez le cordon d'alimentation dans la prise de courant du circuit de dérivation approprié. (Consultez le paragraphe sur **la protection contre la surtension et la protection du circuit** de la section sur **l'installation** de ce guide.)
7. Tournez la poignée du régulateur (N) dans le sens des aiguilles d'une montre pour régler la pression de sortie à zéro. Appuyez sur le bouton du régulateur pour le verrouiller en place.
8. Raccordez le boyau et les accessoires.

⚠ AVERTISSEMENT : Risque d'utilisation dangereuse. Saisir fermement le tuyau en main lors du raccordement ou de la déconnexion pour empêcher un à-coup du tuyau.

⚠ AVERTISSEMENT : Risque d'utilisation dangereuse. N'utilisez pas les accessoires endommagés ou portés.

REMARQUE : Le boyau ou l'accessoire doit être muni d'une fiche à connexion rapide si la sortie d'air est équipée d'une douille à connexion rapide (M).

- S'assurer que tous les couvercles et étiquettes sont présents, lisibles (dans le cas des étiquettes) et bien fixés. Ne pas utiliser le compresseur avant de vérifier tous ces points.

⚠ AVERTISSEMENT : **Risque d'éclatement. Une pression d'air trop élevée conduit à un risque dangereux d'éclatement. Vérifiez la pression nominale maximum du fabricant pour tous les outils pneumatiques et accessoires utilisés. La pression de sortie du régulateur ne doit jamais excéder la pression nominale maximum.**

AVIS: Risque de dommages à la propriété. L'air comprimé de l'appareil pourrait contenir de l'eau condensée et des brumes d'huile. Ne pas vaporiser de l'air non filtré sur un article que l'humidité pourrait endommager. Certains outils ou dispositifs pneumatiques pourraient requérir de l'air filtré. Lire les directives pour l'outil ou le dispositif pneumatique.

MISE EN MARCHÉ

- Réglez l'interrupteur Auto/Off (D) à la position de « Auto ». Le moteur s'arrêtera lorsque la pression dans le réservoir atteint la « pression de rupture ».
- Tournez la poignée du régulateur (N) dans le sens des aiguilles d'une montre pour augmenter la pression et arrêtez quand la pression désirée est atteinte. Appuyez sur le bouton du régulateur pour le verrouiller en place.

⚠ AVERTISSEMENT : **Si n'importe quel bruit ou vibration peu commun est noté, arrêtez le compresseur immédiatement et faites-vérifier le par un technicien qualifié de service.**

Le compresseur d'air est maintenant prêt pour l'utilisation.

ENTRETIEN

RESPONSABILITÉS DU CLIENT

Procédure	Quoti- dienne	Hebdo- madaire	1 an ou 200 heures	Se reporter à l'étiquette d'avertissement sur le réservoir
Vérification de la soupape de sûreté	X			
Vidange du réservoir d'air	X			
Vérification du niveau d'huile de la pompe	X			
Vidange de l'huile de la pompe			X (2, 3)	
Inspection des fuites d'air	X			
Recherche de bruits ou de vibrations inhabituels	X			
Vérification des fuites d'air	X (1)			
Nettoyage de la partie externe du compresseur		X		
Mettre le réservoir hors service				X (4)

- | |
|---|
| (1) Pour trouver des fuites d'air, appliquer une solution d'eau savonneuse autour des joints. Alors que le compresseur développe la pression et que l'accumulation de pression cesse, rechercher toute trace de bulles d'air. |
| (2) L'huile de la pompe doit être changée après 20 heures de fonctionnement. Veillez à changer l'huile toutes les 200 heures de fonctionnement ou une fois par an, selon la première occurrence. |
| (3) vidange plus fréquente sous conditions poussiéreuses ou humides |
| (4) Pour plus d'informations, veuillez appeler notre service à la clientèle au 1-888-848-5175 |

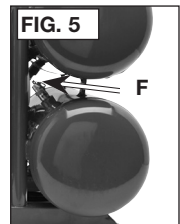
⚠ AVERTISSEMENT : Risque d'une utilisation dangereuse. L'unité est automatiquement en cycle quand le courant est présent. Durant le service, vous pourriez être exposé à des sources de tension, à l'air comprimé ou à des pièces mobiles. Avant de faire le service de l'unité, débranchez ou déconnectez l'alimentation électrique au compresseur d'air, purgez la pression du réservoir et laissez le compresseur d'air se refroidir.

REMARQUE : Consultez la section *Utilisation* pour connaître l'emplacement des commandes.

VÉRIFICATION DE LA SOUPAPE DE SÛRETÉ (FIG. 5)

⚠ AVERTISSEMENT : Risque d'éclatement. Si la soupape de sûreté ne fonctionne pas correctement, une surpression pourrait avoir lieu et causer une rupture ou une explosion du réservoir à air.

⚠ AVERTISSEMENT : Risque provenant des objets projet. **És Toujours utiliser de l'équipement de sécurité homologué : protection oculaire conforme à la norme ANSI Z87.1 (CAN/CSA Z94.3) munie d'écrans latéraux lors de l'utilisation du compresseur.**



⚠ AVERTISSEMENT : Surfaces chaudes. Risque de brûlure. Le tube de sortie, la tête de pompe et les pièces autour sont très chauds, ne pas toucher (consulter les **Surfaces chaudes** identifiées dans la section **Consignes de sécurité importantes**). Laisser refroidir le compresseur avant la mise en service.

Avant de mettre en marche le compresseur, tirez sur l'anneau de la soupape de sûreté (F) pour vous assurer que la soupape fonctionne librement. Si la soupape est coincée ou qu'elle ne bouge pas librement, elle doit être remplacée par une autre soupape du même type.

VIDANGE DU RÉSERVOIR (FIG. 5, 6)

⚠ AVERTISSEMENT : Risque d'utilisation dangereuse. Les réservoirs d'air contiennent de l'air sous haute pression. Éloigner le protection oculaire [ANSI Z87.1 (CAN/CSA Z94.3)] et toutes autres parties du corps de l'orifice de vidange. Porter des lunettes de sécurité lors de la vidange car il y a risque de projection de débris au visage.

⚠ AVERTISSEMENT : Risques auditifs. Porter systématiquement une protection auditive appropriée durant l'utilisation. Sous certaines conditions et suivant la durée d'utilisation, le bruit émanant de ce produit pourrait contribuer à une perte de l'acuité auditive.

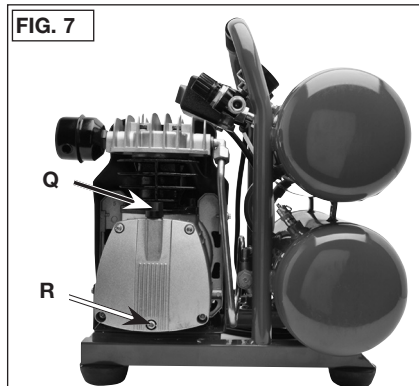
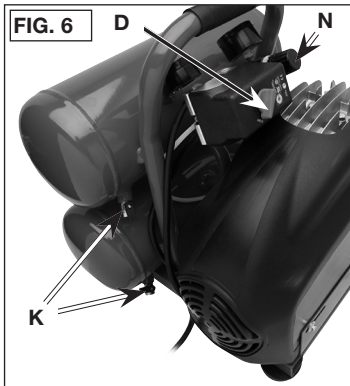
REMARQUE : Tous les systèmes d'air comprimé produisent du condensat qui s'accumule sous tous les points d'évacuation (p. ex., réservoirs, filtre, tubes de sortie, sècheurs). Le condensat contient de l'huile lubrifiante ou des substances contrôlées, ou les deux, et doivent être éliminés conformément aux lois et règlements municipaux, provinciaux, territoriaux et fédéraux.

⚠ AVERTISSEMENT : Risque d'éclatement. L'eau dans le réservoir d'air peut condenser. Si l'eau n'est pas vidangée, cela risque de corroder et d'affaiblir le réservoir d'air, produisant ainsi un risque de rupture du réservoir d'air.

AVIS: Risque de dommages à la propriété. Évacuez l'eau le réservoir d'air peut contenir l'huile et se rouiller qui peut causer des taches.

1. Placez le levier Auto/Off (D) à la position « Off ».
2. Tirez le bouton du régulateur (N) vers l'extérieur et tournez-le dans le sens contraire des aiguilles d'une montre pour régler la pression de sortie à zéro. Appuyez sur le bouton du régulateur pour le verrouiller en place.
3. Enlevez l'outil pneumatique ou l'accessoire.
4. Placer un conteneur adapté sous les soupapes de vidange (K) pour récupérer tout drainage.
5. Tirez l'anneau de la soupape de sûreté (F, Fig. 5) pour permettre à l'air de purger du réservoir jusqu'à ce que la pression dans le réservoir se situe à environ 20 lb po². Relâchez l'anneau de la soupape de sûreté.
6. Vidanger l'eau du réservoir d'air en ouvrant les soupapes de vidange (K) situées au bas des réservoirs.
7. Fermer les soupapes de vidange après avoir évacué l'eau. Le compresseur d'air est prêt pour le rangement.

REMARQUE : Si le robinet de vidange est engorgé, libérez tout l'air pressurisé. Le robinet de vidange peut alors être enlevé, nettoyé et réinstallé.



HUILE DE LA POMPE (FIG. 7, 8)

⚠ AVERTISSEMENT : Purgez le réservoir pour éliminer la pression d'air avant de retirer la jauge d'huile ou le bouchon de vidange d'huile.

⚠ AVERTISSEMENT : Surfaces chaudes. Risque de brûlure. Le tube de sortie, la tête de pompe et les pièces autour sont très chauds, ne pas toucher (consulter les **Surfaces chaudes** identifiées dans la section **Consignes de sécurité importantes**). Laisser refroidir le compresseur avant la mise en service.

AVIS: Risque de dommages matériels. Utiliser seulement de l'huile non-détergente SAE 40 pour compresseurs d'air. Des huiles multigrades pour moteur automobile, comme l'huile 10W30, ne doivent pas être utilisées dans des compresseurs d'air. Elles laissent des dépôts de carbone sur des composants importants, réduisant ainsi la performance et la durée de vie du compresseur.

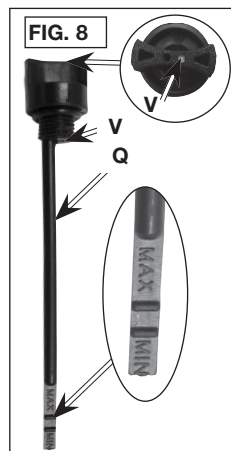
REMARQUE : La capacité du carter est de 313,5 mL (10,6 onces fluides).

VERIFIQUE

1. Réglez le levier Auto/Off à la position « Off».
2. Déposer l'appareil sur une surface plane à niveau.
3. Retirez la jauge d'huile (Q) et vérifiez l'huile sur la jauge pour déterminer s'il y a des indications visibles de contamination (eau, saletés, etc.).

⚠ AVERTISSEMENT : Assurez-vous que le trou d'aération (V) de la jauge d'huile est libre de tout débris. Si le trou d'aération est obstrué, la pression peut s'accumuler dans le carter, ce qui risque d'endommager le compresseur d'air et de causer des blessures corporelles.

4. Essuyez l'huile de la jauge d'huile.
5. Remettez la jauge dans le trou et attendez jusqu'à ce que l'huile s'attache à la jauge.
6. Retirez la jauge et vérifiez le niveau d'huile sur la jauge. Le repère MAX sur la jauge indique que le niveau d'huile est suffisant tandis que le repère MIN indique qu'il faut ajouter de l'huile. Si le niveau d'huile se situe en dessous du repère MIN, ajouter lentement de l'huile jusqu'à atteindre le repère MAX (plein) sur la jauge.
7. Remettez en place la jauge d'huile (Q).



VIDANGE

1. Réglez le levier Auto/Off à la position « Off ».
2. Laisser refroidir l'appareil.
3. Débrancher le compresseur d'air.
4. Retirez la jauge d'huile (Q).
5. Retirez le bouchon de vidange d'huile (R) et vidangez l'huile dans un récipient approprié (une inclinaison du compresseur en direction du bouchon de vidange aidera à la vidange).
6. Remettez en place le bouchon de vidange d'huile (R).
7. Remplir lentement le carter avec de l'huile non-détergente SAE 40 pour compresseurs d'air. La capacité du carter est de 313,5 ml (10,6 onces liquide). Le niveau d'huile doit atteindre le repère MAX sur la jauge.

REMARQUE: Si le carter est trop rempli d'huile, le compresseur pourrait subir une panne prématurée. Ne pas trop remplir.

8. Remettez en place la jauge d'huile.

RANGEMENT

Avant de ranger le compresseur d'air, effectuez les étapes suivantes :

1. Revoyez la rubrique **Entretien** dans les pages précédentes et effectuez tout entretien requis nécessaire.
2. Purgez l'eau du réservoir. Se reporter à la rubrique **Vidange du réservoir** sous **Entretien**.

⚠ AVERTISSEMENT : Risque d'éclatement. L'eau dans le réservoir d'air peut condenser. Si le réservoir n'est pas vidangé, l'eau corrodera et affaiblira les parois du réservoir d'air, causant ainsi un risque d'éclatement du réservoir.

3. Protégez le cordon électrique et le boyau d'air contre tout dommage (de façon à ce qu'ils ne soient pas coincés ou écrasés). Enroulez le boyau d'air sans contrainte, autour de la poignée du compresseur d'air.
4. Rangez le compresseur d'air dans un endroit propre et sec.

SERVICE

PIÈCES DE RECHANGE

Utiliser seulement des pièces de rechange identiques. Pour obtenir une liste des pièces de rechange ou pour en commander, consulter notre site Web au www.portercable.com. Il est aussi possible de commander des pièces auprès d'une succursale d'usine ou un centre de réparation sous garantie autorisé ou en communiquant avec le service à la clientèle au 1-888-848-5175 pour recevoir un soutien personnalisé de l'un de nos représentants bien formés.

ENTRETIEN ET RÉPARATION

Tous les outils de qualité finissent par demander un entretien ou un changement de pièce. Pour de plus amples renseignements à propos de PORTER-CABLE, ses succursales d'usine ou pour trouver un centre de réparation sous garantie autorisé, consulter notre site Web au www.portercable.com ou communiquer avec notre service à la clientèle au 1-888-848-5175. Toutes les réparations effectuées dans nos centres de réparation sont entièrement garanties contre les défauts de matériaux et de main-d'œuvre. Nous ne pouvons garantir les réparations effectuées en partie ou totalement par d'autres. En composant ce numéro à toute heure du jour ou de la nuit, il est également possible de trouver les réponses aux questions les plus courantes.

Pour de plus amples renseignements par courrier, écrire à PORTER-CABLE, 4825 Highway 45 North, Jackson, Tennessee 38305, É.-U. – à l'attention de : Product Service. S'assurer d'indiquer toutes les informations figurant sur la plaque signalétique de l'outil (numéro du modèle, type, numéro de série, etc.).

ACCESSOIRES

⚠ AVERTISSEMENT : Puisque les accessoires autres que ceux offerts par PORTER-CABLE n'ont pas été testés avec ce produit, l'utilisation de ceux-ci pourrait s'avérer dangereux. Pour un fonctionnement en toute sécurité, utiliser seulement les accessoires recommandés PORTER-CABLE avec le produit.

Une gamme complète d'accessoires est disponible auprès de votre fournisseur PORTER-CABLE, centres de réparation de l'usine PORTER-CABLE et centres de réparation agréés PORTER-CABLE. Veuillez consulter le site Web www.portercable.com pour un catalogue ou le nom du fournisseur le plus près de chez vous.

DÉPANNAGE

⚠ AVERTISSEMENT : Risque d'une utilisation dangereuse. L'unité est automatiquement en cycle quand le courant est présent. Durant le service, vous pourriez être exposé à des sources de tension, à l'air comprimé ou à des pièces mobiles. Avant de faire le service de l'unité, débranchez ou déconnectez l'alimentation électrique au compresseur d'air, purgez la pression du réservoir et laissez le compresseur d'air se refroidir.

PROBLÈME	CAUSE	CORRECTION
Pression excessive - la soupape de sûreté se soulève.	Le manostat n'arrête pas le moteur lorsque le compresseur d'air atteint la « pression de rupture ».	Déplacez le levier « Auto/Off » à la position « Off ». Si l'appareil ne s'arrête pas, faire vérifier par un technicien qualifié.
	La « pression de rupture » du manostat est trop élevée.	Faire vérifier par un technicien qualifié.
Fuites d'air aux raccords.	Les raccords des tubes ne sont pas assez serrés.	Resserrez les raccords là où on peut entendre l'air s'échapper. Vérifiez les raccords à l'aide d'une solution d'eau savonneuse. Ne Pas Trop Serrer.
Fuites d'air au réservoir d'air ou aux soudures du réservoir.	Réservoir d'air défectueux.	Le réservoir d'air doit être remplacé. Ne tentez pas de réparer les fuites. ⚠ AVERTISSEMENT : Risque d'éclatement. Évitez de percer, de souder ou de modifier le réservoir d'air de quelque façon. Celui-ci risquerait de rompre ou d'exploser.
Fuites d'air entre la tête et la plaque de la soupape.	Joint d'étanchéité accusant une fuite.	Faire vérifier par un technicien qualifié.
Fuite d'air à la soupape de sûreté.	Défectuosité possible dans la soupape de sûreté.	Faites fonctionner la soupape manuellement en tirant sur l'anneau. Si les fuites ne sont pas éliminées, la soupape devrait être remplacée.
Le relevé de pression sur le manomètre du régulateur tombe lorsqu'un accessoire est utilisé.	Une légère chute de pression est considérée normale.	S'il y a une chute excessive de pression lorsqu'un accessoire est utilisé, ajustez le régulateur en suivant les directives du paragraphe intitulé Description du fonctionnement de la section sur l'utilisation . REMARQUE : Ajustez la pression du régulateur lorsqu'il y a un débit d'air (c.-à-d., pendant l'utilisation d'un accessoire).
Le compresseur d'air ne fournit pas suffisamment d'air pour faire fonctionner les accessoires.	Utilisation prolongée et excessive de l'air.	Utilisation prolongée et excessive de l'air.
	Le compresseur n'est pas assez gros pour la quantité d'air requise.	Le compresseur n'est pas assez gros pour la quantité d'air requise.
	Trou dans le boyau.	Trou dans le boyau.
	Soupape de retenue obstruée.	Faire vérifier par un technicien qualifié.
	Fuites d'air.	Fuites d'air.
	Filtre d'admission d'air obstrué.	Remplacez le filtre. ⚠ ATTENTION : Risque de fonctionnement non sécuritaire. Ne pas faire fonctionner l'appareil sans filtre d'admission d'air.

PROBLÈME	CAUSE	CORRECTION
Fuite d'air continue au bouton du régulateur.	Régulateur endommagé.	Faire vérifier par un technicien qualifié.
Le régulateur ne ferme pas l'orifice de sortie d'air.	Régulateur endommagé.	Faire vérifier par un technicien qualifié.
Le moteur ne tourne pas.	Fusible sauté ou coupe-circuit déclenché.	Vérifiez s'il y a un fusible sauté dans la boîte à fusibles et remplacez-le au besoin. Rétablissez le coupe-circuit. Ne pas utiliser un fusible ou un coupe-circuit à valeur nominale supérieure à la valeur spécifiée pour le circuit de dérivation utilisé.
		Vérifier si le fusible est du type approprié. Vous devriez utiliser un fusible retardé.
		Vérifier s'il y a une condition de tension basse.
		Vérifiez la rallonge.
		Déconnectez tout autre appareil électrique du circuit ou branchez le compresseur sur son propre circuit de dérivation.
		Rallonge de longueur ou de calibre inapproprié.
Connexions électriques desserrées.	Vérifiez les connexions de câblage dans la boîte à bornes.	
Possibilité de défectuosité du moteur ou du condensateur de démarrage.	Faire vérifier par un technicien qualifié.	
Le commutateur de protection de surcharge du moteur a été déclenché.	Consulter la rubrique Protecteur de surcharge du moteur sous Description du fonctionnement . Si la protection de surcharge de moteur se déclenche fréquemment. Communiquer avec un centre de réparation en usine de contactez un technicien qualifié.	
La pression du réservoir excède la « pression d'amorçage » du manostat.	Le moteur démarrera automatiquement une fois que la pression du réservoir tombe à un niveau inférieur à la « pression d'amorçage » du manostat.	
Soupape de retenue coincée en position ouverte.	Faire vérifier par un technicien qualifié.	
Peinture vaporisée sur les pièces internes du moteur.	Adressez-vous à un technicien qualifié. N'utilisez pas le compresseur d'air dans l'aire de vaporisation de peinture. Voir l'avertissement au sujet des vapeurs inflammables.	
La soupape de décharge de pression du manostat n'a pas dégagé la pression des têtes.	Purger la ligne en mettant l'interrupteur Auto/Arrêt sur le bouton de pression en position « Arrêt »; si la soupape ne s'ouvre pas, remplacer l'interrupteur.	

PROBLÈME	CAUSE	CORRECTION
Bruit de cliquetis.	Problème possible de la soupape de sûreté.	Opérez la soupape de sûreté manuellement en tirant sur l'anneau. Si la soupape fuit toujours, remplacez-la.
	Soupape de retenue défectueuse.	Faire vérifier par un technicien qualifié.
	Accumulation de carbone dans la pompe.	Faire vérifier par un technicien qualifié.
Sifflement.	La pompe du compresseur manque d'huile.	Voir le paragraphe sur la Huile de la pompe-Verifique de la section Entretien .
L'évent sur la jauge est bloqué.	L'évent est obstrué par des débris.	Nettoyer l'évent ou remplacer la jauge.

GARANTIE COMPLÈTE D'UN (1) AN

Les outils industriels de **PORTER-CABLE** sont garantis pour une période de un (1) an à partir de la date d'achat. PORTER-CABLE réparera gratuitement toutes déficiences provoquées par un défaut de matériel ou de fabrication. Pour des renseignements relatifs aux réparations sous garantie, composer le 1-888-848-5175. Cette garantie ne s'applique pas aux accessoires ni aux dommages causés par des réparations réalisées ou tentées par des tiers. Cette garantie vous accorde des droits légaux spécifiques et il est possible que vous ayez d'autres droits qui varient d'un État ou d'une province à l'autre.

AMÉRIQUE LATINE : cette garantie ne s'applique pas aux produits vendus en Amérique latine. Pour ceux-ci, veuillez consulter les informations relatives à la garantie spécifique présente dans l'emballage, appeler l'entreprise locale ou consulter le site Web pour les informations relatives à cette garantie.

REMPACEMENT GRATUIT DES ÉTIQUETTES D'AVERTISSEMENT (FIG. 10) : si les étiquettes d'avertissement deviennent illisibles ou sont manquantes, composer le 1-888-848-5175 pour en obtenir le remplacement gratuit.

▲WARNING	▲ADVERTENCIA	▲AVERTISSEMENT
<p>● TO REMOVE THE RISK OF BURSTING, RUSTED TANK CAN CAUSE EXPLOSION. DRAIN TANK AFTER EACH USE. TILT TANK TO FULLY DRAIN.</p> <p>● CAUTION RISK OF BURSTING. RUSTED TANK CAN CAUSE EXPLOSION. DRAIN TANK AFTER EACH USE. TILT TANK TO FULLY DRAIN.</p> <p>● AVVERTISSEMENT RISQUE DE RUPTURE. UN RÉSERVOIR ROÛILLÉ PEUT EXPLOSER. VIDER LE RÉSERVOIR APRÈS CHAQUE UTILISATION. INCLINER LE RÉSERVOIR POUR LE VIDER COMPLÈTEMENT.</p>	<p>● PARA REDUCIR EL RIESGO DE EXPLOSION, LEA EL MANUAL DE INSTRUCCIONES ANTES DE ACCIONAR EL COMPRESOR DE AIRE.</p> <p>● PRECAUCIÓN RIESGO DE EXPLOSION. ANTES DE ACCIONAR EL COMPRESOR, DESAHOGUE LA CILINDRO VALVULA A EXPLOSION. DRENEJE EL TANQUE DESPUES DE CADA USO, INCLINE EL TANQUE PARA DESAGOTARLO POR COMPLETAMENTE.</p> <p>● AVVERTISSEMENT RISQUE DE RUPTURE. ANTES DE ACCIONAR EL COMPRESOR, DESAHOGUE LA CILINDRO VALVULA A EXPLOSION. DRENEJE EL TANQUE DESPUES DE CADA USO, INCLINE EL TANQUE PARA DESAGOTARLO POR COMPLETAMENTE.</p>	<p>● LIRE LE MANUEL D'INSTRUCTIONS AVANT DE FAIRE FONCTIONNER LE COMPRESOR AFIN DE RÉDUIRE LE RISQUE DE BLESSURES.</p> <p>● ATTENTION RISQUE DE RUPTURE. AVANT DE FAIRE FONCTIONNER LE COMPRESOR, DÉGASER LA CILINDRO VALVULA A EXPLOSION. DRENER LE RÉSERVOIR APRÈS CHAQUE UTILISATION. INCLINER LE RÉSERVOIR POUR LE VIDER COMPLÈTEMENT.</p> <p>● AVERTISSEMENT RISQUE DE RUPTURE. AVANT DE FAIRE FONCTIONNER LE COMPRESOR, DÉGASER LA CILINDRO VALVULA A EXPLOSION. DRENER LE RÉSERVOIR APRÈS CHAQUE UTILISATION. INCLINER LE RÉSERVOIR POUR LE VIDER COMPLÈTEMENT.</p>

▲WARNING

RISK OF BURSTING. RUSTED TANK CAN CAUSE EXPLOSION. DRAIN TANK AFTER EACH USE. TILT TANK TO FULLY DRAIN.

▲ADVERTENCIA

RIESGO DE RUPTURA. LA OXIDACIÓN DEL TANQUE PUEDE PROVOCAR UNA EXPLOSION. DESAHOGUE EL TANQUE DESPUES DE CADA USO, INCLINE EL TANQUE PARA DESAGOTARLO POR COMPLETAMENTE.

▲AVERTISSEMENT

RISQUE DE RUPTURE. UN RÉSERVOIR ROÛILLÉ PEUT EXPLOSER. VIDER LE RÉSERVOIR APRÈS CHAQUE UTILISATION. INCLINER LE RÉSERVOIR POUR LE VIDER COMPLÈTEMENT.

▲WARNING

HOT PUMP SURFACE. RISK OF BURNS. DO NOT TOUCH.

▲ADVERTENCIA

SUPERFICIE CALIENTE DE LA BOMBA. RIESGO DE QUEMADURAS. NO TOCAR.

▲AVERTISSEMENT

SURFACE DE LA POMPE À CHALEUR. RISQUES DE BRÛLURES. NE PAS TOUCHER.

<p>▲WARNING</p> <p>REMOVE TANK FROM SERVICE AFTER YEAR: 2024</p>	<p>▲ADVERTENCIA</p> <p>RETIRE EL TANQUE DEL SERVICIO DESPUES DEL AÑO: 2024</p>	<p>▲AVERTISSEMENT</p> <p>METTRE LE RÉSERVOIR HORS SERVICE APRÈS L'ANNÉE: 2024</p>
---	---	--

DEFINICIONES DE NORMAS DE SEGURIDAD

Este manual contiene información que es importante que usted conozca y comprenda. Esta información se relaciona con la protección de SU SEGURIDAD Y LA PREVENCIÓN DE PROBLEMAS A SU EQUIPO. Para ayudarlo a reconocer esta información, usamos los símbolos indicados más abajo. Sirvase leer el manual y prestar atención a estas secciones.

<p>⚠ PELIGRO: Indica una situación de riesgo inminente, que si no se evita, causará la muerte o lesiones serias.</p>	<p>⚠ ATENCIÓN: Indica una situación potencialmente peligrosa, que si no se evita, puede causar lesiones menores o moderadas.</p>
<p>⚠ ADVERTENCIA: Indica una situación potencialmente riesgosa, que si no se evita, podría causar la muerte o lesiones serias.</p>	<p>⚠ AVISO: Se refiere a una práctica no relacionada a lesiones corporales que de no evitarse puede resultar en daños a la propiedad.</p>

INSTRUCCIONES IMPORTANTES DE SEGURIDAD

⚠ ADVERTENCIA: Este producto contiene sustancias químicas, incluido el plomo, reconocidas por el Estado de California como causantes de cáncer, defectos de nacimiento u otros problemas reproductivos. **Lávese las manos después de utilizarlo.**

⚠ ADVERTENCIA: Algunos tipos de polvo contienen sustancias químicas, como el amianto y el plomo de las pinturas de base plomo, reconocidas por el Estado de California como causantes de cáncer, defectos de nacimiento u otros problemas

⚠ ADVERTENCIA: Para reducir el riesgo de lesiones, lea el manual de instrucciones.



CONSERVE ESTAS INSTRUCCIONES

PELIGRO



⚠ PELIGRO: RIESGO DE EXPLOSIÓN O INCENDIO

¿QUÉ PUEDE SUCEDER?	CÓMO EVITARLO
<ul style="list-style-type: none"> • Es normal que los contactos eléctricos dentro del motor y el interruptor de presión produzcan chispas. 	<ul style="list-style-type: none"> • Opere siempre el compresor en un área bien ventilada libre de materiales combustibles, gasolina o vapores de solventes.
<ul style="list-style-type: none"> • Si las chispas eléctricas del compresor entran en contacto con vapores inflamables, pueden encenderse, provocando un incendio o una explosión. 	<ul style="list-style-type: none"> • Si se pulverizan materiales inflamables, ubique el compresor al menos a 6,1 m (20 pies) del área de pulverización. Se puede necesitar manguera adicional. • Guarde los materiales inflamables en lugar seguro lejos del compresor.

<ul style="list-style-type: none"> • Restringir cualquiera de las aberturas de ventilación del compresor puede producir un sobrecalentamiento grave y podría provocar un incendio. 	<ul style="list-style-type: none"> • Nunca coloque objetos contra o sobre el compresor. • Opere el compresor en un lugar abierto con una distancia de al menos 30,5 cm (12 pulg.) a cualquier pared u obstrucción que pudiera restringir el flujo de aire fresco a las aberturas de ventilación. • Opere el compresor en un área limpia, seca y bien ventilada. No opere la unidad dentro en un área muy cerrada. Almacén en puertas.
<ul style="list-style-type: none"> • El funcionamiento sin atención de este producto podría provocar lesiones personales o daños a la propiedad. Para disminuir el riesgo de incendio, no permita que el compresor funcione sin que alguien lo controle. 	<ul style="list-style-type: none"> • Permanezca siempre controlando el producto cuando está en funcionamiento. • Siempre apague y desenchufe la unidad cuando no esté en uso.

PELIGRO



▲ PELIGRO: RIESGO RESPIRATORIO (ASFIXIA)

¿QUÉ PUEDE SUCEDER?	CÓMO EVITARLO
<ul style="list-style-type: none"> • El aire comprimido que sale de su compresor no es seguro para respirarlo. El flujo de aire puede contener monóxido de carbono, vapores tóxicos o partículas sólidas del tanque de aire. Respirar estos contaminantes puede provocar lesiones graves o la muerte. 	<ul style="list-style-type: none"> • El aire que se obtiene directamente del compresor no se debe usar nunca para consumo humano. El compresor no incluye equipo de seguridad en línea y filtros adecuados para consumo humano.
<ul style="list-style-type: none"> • La exposición a productos químicos en el polvo producido por las herramientas eléctricas al lijar, aserrar, esmerilar, taladrar y otras actividades de la construcción puede ser peligrosa. • Los materiales pulverizados como pintura, solventes para pinturas, removedor de pintura, insecticidas y herbicidas pueden contener vapores dañinos y venenos. 	<ul style="list-style-type: none"> • Trabaje en un área con buena ventilación cruzada. Lea y siga las instrucciones de seguridad que se proveen en la etiqueta o en la ficha técnica de los materiales que está utilizando. Siempre utilice equipamiento de seguridad certificado: protección respiratoria aprobada por NIOSH/OSHA o una mascarilla facial adecuada diseñada para usar para los fines que usted requiere.

PELIGRO



⚠ ADVERTENCIA: RIESGO DE EXPLOSIÓN

Tanque de aire: El 26 de febrero de 2002, la Comisión de Seguridad para Productos de Consumo de los Estados Unidos publicó el Comunicado # 02-108 sobre la seguridad en los tanques de compresores de aire:

Los tanques receptores de los compresores de aire no tienen una vida útil infinita. La vida útil del tanque depende de diversos factores, incluyendo las condiciones de operación, las condiciones ambientales, la instalación debida del mismo, modificaciones realizadas en el campo y el nivel de mantenimiento que reciba. Es difícil prever cuál será el efecto exacto de estos factores sobre la vida útil del tanque receptor de aire.

Si no se siguen procedimientos de mantenimiento debidos, la corrosión interna de la pared interior del tanque receptor de aire puede causar una ruptura imprevista en el tanque de aire, lo que hará que el aire presurizado escape con fuerza y repentinamente, pudiendo lesionar al usuario.

El tanque de su compresor de aire debe ser dado de baja al final del año que aparece en la etiqueta de advertencia de su tanque.

Las siguientes condiciones pueden llevar a debilitar el tanque de aire y ocasionar la explosión violenta del mismo:

¿QUÉ PUEDE SUCEDER?	CÓMO EVITARLO
<ul style="list-style-type: none">• No drenar correctamente el agua condensada del tanque de aire, que provoca óxido y adelgazamiento del tanque de aire de acero.	<ul style="list-style-type: none">• Drene el tanque diariamente o luego de cada uso. Si un tanque de aire presenta una pérdida, reemplácelo inmediatamente con un tanque nuevo o reemplace todo el compresor.
<ul style="list-style-type: none">• Modificaciones o intento de reparación del tanque de aire.	<ul style="list-style-type: none">• Nunca perforo, suelde o haga ninguna modificación al tanque de aire o a sus elementos. Nunca intente reparar un tanque de aire dañado o con pérdidas. Reemplácelo con un tanque de aire nuevo.
<ul style="list-style-type: none">• Las modificaciones no autorizadas de la válvula de seguridad o cualquier otro componente que controle la presión del tanque.	<ul style="list-style-type: none">• El tanque está diseñado para soportar determinadas presiones de operación. Nunca realice ajustes ni sustituya piezas para cambiar las presiones de operación fijadas en la fábrica.

ELEMENTOS Y ACCESORIOS:

<ul style="list-style-type: none">• Exceder las indicaciones de presión para las herramientas neumáticas, las pistolas pulverizadoras, los accesorios neumáticos, los neumáticos y otros artículos inflables puede hacer que exploten o revienten, y puede provocar lesiones graves.	<ul style="list-style-type: none">• Siga la recomendación del fabricante del equipo y nunca exceda el nivel máximo de presión aceptable para los elementos. Nunca utilice el compresor para inflar objetos pequeños de baja presión, tales como juguetes de niños, pelotas de fútbol o de basquetbol, etc.
--	--

NEUMÁTICOS:

- **El inflado excesivo de los neumáticos podría causar lesiones graves y daño a la propiedad.**
- Utilice un medidor de presión de neumáticos para controlar la presión de éstos antes de cada uso y mientras los infla; observe el flanco para ver la presión correcta del neumático.
NOTA: Los tanques de aire, los compresores y el equipo similar que se usa para inflar neumáticos pueden llenar neumáticos pequeños como éstos con mucha rapidez. Ajuste el regulador de presión en el suministro de aire a un valor que no supere el de la presión del neumático. Agregue aire en forma gradual y use con frecuencia el medidor de presión de neumáticos para evitar inflarlos.

PELIGRO



⚠ ADVERTENCIA: RIESGO DE DESCARGA ELÉCTRICA

¿QUÉ PUEDE SUCEDER?	CÓMO EVITARLO
<ul style="list-style-type: none">• Su compresor de aire funciona con electricidad. Como cualquier otro mecanismo que funciona con electricidad, si no se lo utiliza correctamente puede provocar descargas eléctricas.	<ul style="list-style-type: none">• Nunca haga funcionar el compresor al aire libre cuando está lloviendo o en condiciones de humedad.• Nunca haga funcionar el compresor sin las cubiertas de protección o si están dañadas.
<ul style="list-style-type: none">• Que personal no calificado intente realizar reparaciones puede provocar lesiones graves o muerte por electrocución.	<ul style="list-style-type: none">• Cualquier cableado eléctrico o las reparaciones requeridas para este producto deben ser realizadas por un centro de servicio de un centro de mantenimiento autorizado de acuerdo con los códigos eléctricos nacionales y locales.
<ul style="list-style-type: none">• Puesta a tierra: La no colocación de la puesta a tierra adecuada para este producto puede provocar lesiones graves o muerte por electrocución. Consulte las Instrucciones de Conexión a tierra en <i>Instalación</i>.	<ul style="list-style-type: none">• Asegúrese de que el circuito eléctrico al que se conecta el compresor suministre la conexión a tierra adecuada, el voltaje adecuado y el fusible de protección adecuado.

PELIGRO



⚠ ADVERTENCIA:

RIESGO DE OBJETOS DESPEDIDOS

¿QUÉ PUEDE SUCEDER?

- La corriente de aire comprimido puede provocar lesiones en los tejidos blandos de la piel expuesta y puede impulsar suciedad, astillas, partículas sueltas y objetos pequeños a gran velocidad, que pueden producir daños en la propiedad y lesiones personales.

CÓMO EVITARLO

- Utilice siempre equipo de seguridad certificado: anteojos de seguridad ANSI Z87.1 (CAN/GSA Z94.3) con protección lateral al usar el compresor.
- Nunca apunte ninguna boquilla ni pulverizador a ninguna parte del cuerpo o a otras personas o animales.
- Apague siempre el compresor y drene la presión de la manguera de aire y del tanque de aire antes de intentar hacer mantenimiento, conectar herramientas o accesorios.

PELIGRO



⚠ ADVERTENCIA:

RIESGO DE SUPERFICIES CALIENTES

¿QUÉ PUEDE SUCEDER?

- Tocar metal expuesto como el cabezal del compresor, el cabezal del motor, el escape del motor, o los tubos de salida puede provocar quemaduras graves.

CÓMO EVITARLO

- Nunca toque ninguna parte metálica expuesta del compresor durante o inmediatamente después de su funcionamiento. El compresor continuará caliente durante varios minutos después de su funcionamiento.
- No toque las cubiertas protectoras ni intente realizar mantenimiento hasta que la unidad se haya enfriado.

PELIGRO



⚠ ADVERTENCIA:

RIESGO POR PIEZAS MÓVILES

¿QUÉ PUEDE SUCEDER?

- Las piezas móviles como la polea, el volante y la correa pueden provocar lesiones graves si entran en contacto con usted o con sus ropas.

CÓMO EVITARLO

- Nunca haga funcionar el compresor sin los protectores o cubiertas o si los mismos están dañados.
- Mantenga el cabello, la ropa y los guantes alejados de las piezas en movimiento. Las ropas holgadas, las joyas o el cabello largo pueden quedar atrapados en las piezas móviles.
- Los orificios de ventilación pueden cubrir piezas en movimiento, por lo que también se deben evitar.

- Intentar hacer funcionar el compresor con partes dañadas o faltantes, o intentar reparar el compresor sin las cubiertas protectoras puede exponerlo a piezas móviles lo que puede provocar lesiones graves.
- Cualquier reparación requerida por este producto debe ser realizada por un centro de servicio de un centro de servicio autorizado.

PELIGRO



⚠ ADVERTENCIA: RIESGO DE OPERACIÓN INSEGURA

¿QUÉ PUEDE SUCEDER?

- La operación insegura de su compresor de aire podría producir lesiones graves o la muerte, a usted mismo o a otras personas.

CÓMO EVITARLO

- Revise y comprenda todas las instrucciones y advertencias de este manual.
- Familiarícese con la operación y los controles del compresor de aire.
- Mantenga el área de operaciones libre de personas, mascotas y obstáculos.
- Mantenga a los niños alejados del compresor de aire en todo momento.
- No opere el producto cuando esté cansado o bajo la influencia de alcohol o drogas. Manténgase alerta en todo momento.
- Nunca anule las características de seguridad de este producto.
- Equipe el área de operaciones con un extintor de incendios.
- No opere la máquina si faltan piezas, si éstas están rotas o si no son las autorizadas.
- Nunca se pare sobre el compresor.

PELIGRO



⚠ ADVERTENCIA: RIESGO DE CAÍDAS

¿QUÉ PUEDE SUCEDER?

- Un compresor portátil se puede caer de una mesa, banco o techo, provocando daños al compresor y puede producir lesiones graves o la muerte del operador.

CÓMO EVITARLO

- Opere siempre el compresor en una posición estable y segura para evitar que la unidad se mueva accidentalmente. Nunca opere el compresor sobre un techo u otra ubicación elevada. Utilice una manguera de aire adicional para alcanzar las ubicaciones elevadas.

PELIGRO



⚠ ADVERTENCIA: RIESGO POR RUIDOS

¿QUÉ PUEDE SUCEDER?

- En determinadas condiciones y según el período de uso, el ruido provocado por este producto puede originar pérdida de audición.

CÓMO EVITARLO

- Utilice siempre protección auditiva apropiada al usar esta herramienta.

PELIGRO



⚠ ADVERTENCIA: RIESGO DE LESIÓN POR LEVANTAR MUCHO PESO

¿QUÉ PUEDE SUCEDER?

- El intento de levantar un objeto muy pesado puede provocar lesiones graves.

CÓMO EVITARLO

- El compresor es demasiado pesado como para que lo levante una sola persona. Consiga ayuda de otras personas para levantarlo.

PELIGRO



⚠ ADVERTENCIA: RIESGO DE LESIÓN O DAÑO A LA PROPIEDAD AL TRANSPORTAR O ALMACENAR LA UNIDAD

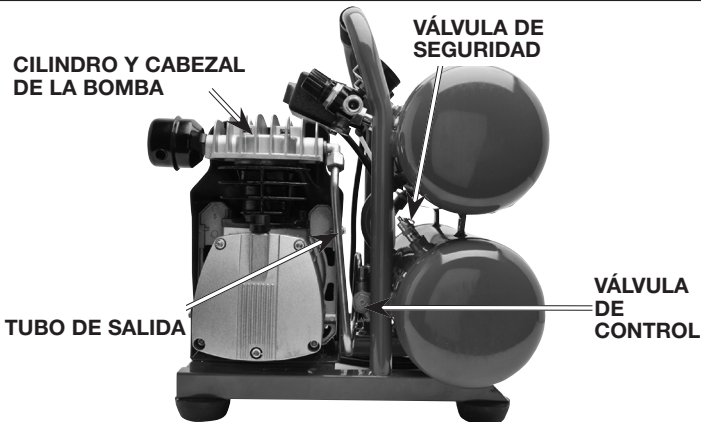
¿QUÉ PUEDE SUCEDER?

- Se puede producir una pérdida o derrame de aceite, lo que podría provocar peligro de incendio o inhalación, lesiones graves o la muerte. Los derrames de aceite dañarán alfombras, pintura u otras superficies de vehículos o remolques.

CÓMO EVITARLO

- Coloque siempre el compresor en un tapete protector cuando lo transporte, para proteger al vehículo de daños por pérdidas. Retire inmediatamente el compresor del vehículo una vez que haya llegado a destino. Mantenga siempre el compresor nivelado y nunca lo coloque de costado.

SUPERFICIES CALIENTES



**CONSERVE ESTAS INSTRUCCIONES
PARA FUTURAS CONSULTAS**

CUADRO DE ESPECIFICACIONES

Modelo N°

PCFP02040

Voltaje/ amperios / corriente manofásica	120/14A/60
Circuito mínimo requerido	15A
Tipo de fusible	Acción retardada
Capacidad de aire en el tanque	15,1 litros (4,0 Gal)
Capacidad de aceite	313,5 mL (10,6 onzas)
Presión de corte de entrada	105 psig
Presión de corte de salida	135 psig
SCFM a 40 psig	4,9 * Calibre de libras por pulgada cuadrada
SCFM a 90 psig	3,4 * Calibre de libras por pulgada cuadrada
Peso	26,5 kg (58,4 libras)

*Probado según la norma ISO 1217

Refiérase al glosario para descifrar las abreviaturas.

GLOSARIO

Familiarícese con los siguientes términos, antes de operar la unidad:

CFM: (Cubic feet per minute) Pies cúbicos por minuto.

SCFM: (Standard cubic feet per minute) Pies cúbicos estándar por minuto; una unidad de medida que permite medir la cantidad de entrega de aire.

PSIG: (Pound per square inch) Libras por pulgada cuadrada.

Código de certificación: Los productos que usan una o más de las siguientes marcas: UL®, CUL, CULUS, ETL®, CETL, CETLUS, han sido evaluados por OSHA, laboratorios independientes certificados en seguridad, y reúnen los estándares suscriptos por a la certificación de la seguridad.

Presión mínima de corte: Cuando el motor está apagado, la presión del tanque de aire baja a medida que usted continúa usando su accesorio. Cuando la presión del tanque baja al valor fijado en fábrica como punto bajo, el motor volverá a arrancar automáticamente. La presión baja a la cual el motor arranca automáticamente, se llama presión "mínima de corte".

Presión máxima de corte: Cuando un compresor de aire se enciende y comienza a funcionar, la presión de aire en el tanque comienza a aumentar. Aumenta hasta un valor de presión alto fijado en fábrica antes de que el motor automáticamente se apague protegiendo a su tanque de aire de presiones más altas que su capacidad. La presión alta a la cual el motor se apaga se llama presión "máxima de corte".

Ramal: Circuito eléctrico que transporta electricidad desde el panel de control hasta el tomacorriente.

CICLO DE SERVICIO

Para que el compresor de aire funcione correctamente, se recomienda mantener un 50% del ciclo de trabajo; esto significa que el compresor de aire no debe funcionar más de 5 minutos en un período de 10 minutos.

ENSAMBLADO

DESEMPAQUE

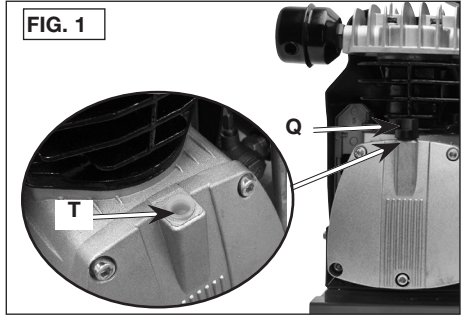
Extraiga la unidad de su caja y descarte todas las partes de embalaje.

COMPRUEBE EL ACEITE DE LA BOMBA (FIG. 1)

AVISO: El compresor se envió con aceite en el cárter. Se utiliza un tapón especial para evitar que el aceite gotee durante el envío. No intente accionar este compresor de aire sin antes verificar el nivel de aceite. Operarlo incluso en forma limitada puede producir daños graves salvo que se llene con aceite y se asiente correctamente. Siga cuidadosamente la **Configuración inicial** en la sección **Funcionamiento**.

AVISO: Riesgo de daño a los bienes. Utilice únicamente aceite SAE 40 para compresores de aire sin detergentes. Los aceites para motores de automóviles de peso múltiple como el 10W30 no deben usarse en compresores de aire. Dejan depósitos de carbono en componentes críticos, reduciendo así el rendimiento y la vida del compresor.

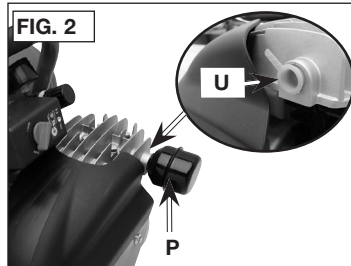
1. Coloque la unidad sobre una superficie plana.
2. Retire el tapón de envío (T) e inserte la varilla de medición (Q).
3. Compruebe el nivel de aceite. Vea el párrafo **Aceite de la bomba-Verifique en Mantenimiento** para obtener instrucciones.



ENSAMBLE EL FILTRO DE ENTRADA DE AIRE (FIG. 2)

⚠ ATENCIÓN: Riesgo de operación insegura. No opere sin el filtro de entrada de aire.

Retire el tapón de envío (U) de la entrada de aire y ensamble el filtro de entrada de aire (P). Ajuste hasta que quede a nivel.



INSTALACIÓN

CÓMO PREPARAR LA UNIDAD

UBICACIÓN DEL COMPRESOR DE AIRE

- Ubicar el compresor de aire en un lugar limpio, seco y bien ventilado.
- El compresor de aire debe colocarse alejado por lo menos 30,5 cm (12 pulg.) de las paredes o de cualquier otra obstrucción que interfiera con el flujo de aire.
- La bomba del compresor de aire y su casco han sido diseñados para permitir un enfriamiento adecuado. Las aberturas de ventilación del compresor son necesarias para el mantenimiento de una temperatura adecuada de funcionamiento. No coloque trapos o contenedores, encima, ni en las proximidades de dichas aberturas.

- Mantenga el compresor alejado de las áreas que tienen polvo y/o gases volátiles en la atmósfera. Estas impurezas pueden tapan el filtro de entrada de aire y las válvulas, ocasionando una operación ineficiente.
- Coloque el compresor de aire en una superficie plana apoyado sobre las patas de goma.

CONSIDERACIONES SOBRE EL RUIDO

Consulte a las autoridades locales sobre los niveles de ruido aceptables en su zona. Para disminuir el ruido excesivo, utilice soportes antivibratorios o silenciadores, reubique la unidad o construya cerramientos completos o tabiques divisorios. Contacte a un técnico de servicio calificado para obtener asistencia.

ELÉCTRICAS (FIG. 4)

Consulte todas las instrucciones de seguridad antes de utilizar la unidad. Observe las instrucciones de seguridad del cable prolongador, de ser necesario. Siempre mueva el interruptor de Auto/Off (D) a la posición de "Off" antes de quitar el enchufe del tomacorriente.

TRANSPORTE

Al transportar el compresor en un vehículo, remolque, etc., asegúrese de que el tanque se haya drenado y que la unidad esté asegurada y colocada. Maneje con cuidado para evitar que la unidad se incline en el vehículo. El compresor o los elementos circundantes se pueden dañar si el compresor se inclina.

TRASLADAR LA UNIDAD

Cuando transporte el compresor, tome el mango y llévalo tan cerca del cuerpo como sea posible.

⚠ ADVERTENCIA: Riesgo de operación insegura. Manténgase bien parado y sea cuidadoso cuando transporte el compresor para no perder el equilibrio.

INSTRUCCIONES PARA CONECTAR A TIERRA (FIG. 3)

⚠ ADVERTENCIA: RIESGO DE CHOQUE ELÉCTRICO. Ante la eventualidad de un cortocircuito, la conexión a tierra reduce el riesgo de electrocución proveyendo un conductor de escape para la corriente eléctrica. Este compresor de aire debe estar adecuadamente conectado a tierra.

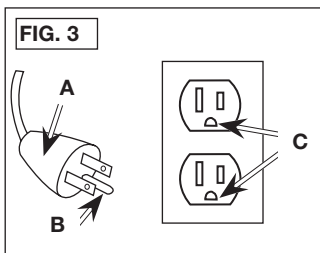
El compresor portátil de aire está equipado con un cable con un conductor y un enchufe adecuado para conexión a tierra (A).

1. El cable de esta unidad tiene un enchufe (A) de 3 espigas para conexión a tierra (B) que DEBE enchufarse en un tomacorriente conectado a tierra (C).

IMPORTANTE: El tomacorriente que se use debe estar conectado a tierra

conforme a todos los códigos y ordenanzas locales.

2. Asegúrese que el tomacorriente tenga la misma configuración que el enchufe de conexión a tierra. NO UTILICE UN ADAPTADOR. Vea la figura 3.
3. Inspeccione el enchufe y su cordón antes de cada uso. No lo use si existieran signos de daños.
4. Si las instrucciones de conexión a tierra no fueran completamente comprendidas, o si se estuviera ante la duda acerca de que el compresor estuviese adecuadamente conectado a tierra, haga verificar la instalación por un electricista competente.



⚠ PELIGRO: RIESGO DE CHOQUE ELÉCTRICO. LA CONEXIÓN INADECUADA A TIERRA PUEDE CAUSAR UNA DESCARGA ELÉCTRICA.

No modifique el enchufe provisto. Si no penetrara en el tomacorriente disponible, un electricista calificado debe instalar uno apropiado.

La reparación del cable o del enchufe DEBE hacerla un electricista calificado. CABLES DE EXTENSIÓN ELÉCTRICA

Si - no obstante - debe utilizarse una extensión de cable, asegúrese de que:

- La extensión eléctrica de 3 conductores, tenga un enchufe de conexión a tierra de 3 hojas, y que exista un receptáculo que acepte el enchufe del producto.
- Esté en buenas condiciones.
- No más largo que 15,2 m (50 pies).
- Calibre 12 (AWG) o mayor. (La medida de los cables se incrementa a medida que su número ordinal decrece. 10 y 8 AWG pueden ser usados también. NO USE 14 NI 16 AWG).

AVISO: Riesgo de daño a la propiedad. El uso de cables de extensión eléctrica originará una caída de tensión, lo que determinará una pérdida de potencia del motor así como su recalentamiento. En lugar de utilizar un cable de extensión eléctrica, incremente el alcance de la manguera de aire dentro de la zona de trabajo, añadiéndole otro largo de manguera a su extremo. Conecte los largos adicionales de manguera de acuerdo a su necesidad.

PROTECCIÓN DEL VOLTAJE Y DEL CIRCUITO

Acerca del voltaje y la mínima cantidad de circuitos requeridos, refiérase al cuadro de **Especificaciones**.

⚠ ATENCIÓN: Existe riesgo de sobrecalentamiento. Ciertos compresores de aire pueden operarse en un circuito de 15 A, siempre que se cumplan las siguientes condiciones:

1. Que el voltaje suministrado al ramal cumpla con el código eléctrico nacional.
2. Que el circuito no sea utilizado para alimentar ninguna otra necesidad eléctrica.
3. Que los cables de extensión cumplan con las especificaciones.
4. Que el circuito cuente con un disyuntor de 15 amperios o un fusible de acción retardada de 15 amperios.

NOTA: Si el compresor está conectado a un circuito protegido por fusibles, use sólo fusibles de acción retardada. Los fusibles de acción retardada deben estar marcados con la letra "D" en Canadá y "T" en EE.UU.

Si cualquiera de las condiciones enumeradas no pudiese cumplirse, o si el funcionamiento del compresor causara interrupciones reiteradas en el suministro eléctrico, podría ser necesario operarlo en un circuito de 20 amperios. Para ello no será necesario cambiar su cable de alimentación.

COMPATIBILIDAD

Las herramientas neumáticas y los accesorios que funcionan con el compresor deben ser compatibles con productos a base de petróleo. Si sospecha que un material no es compatible con productos del petróleo se requiere un filtro de línea de aire que elimine la humedad y el vapor de aceite en el aire comprimido.

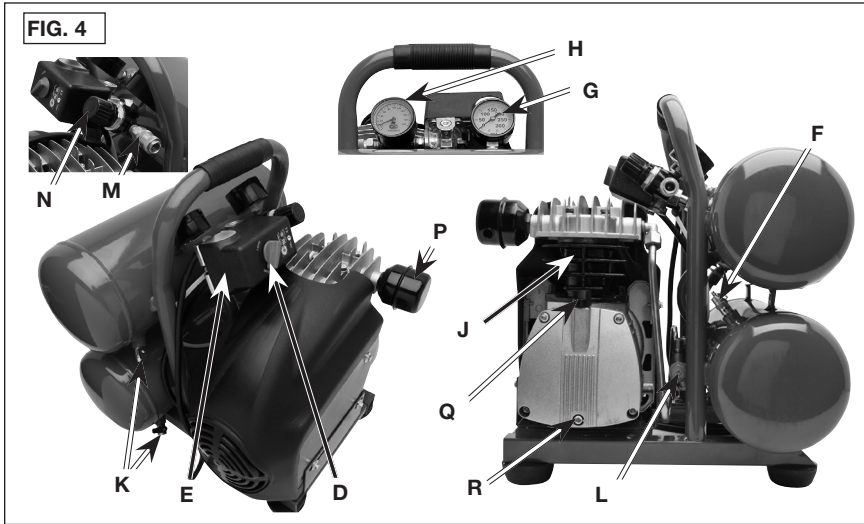
NOTA: Utilice siempre un filtro de línea de aire para eliminar la humedad y el vapor de aceite al pulverizar pintura.

OPERACIÓN

CONOZCA SU COMPRESOR DE AIRE

LEA ESTE MANUAL DEL PROPIETARIO Y SUS NORMAS DE SEGURIDAD ANTES DE OPERAR LA UNIDAD. Compare las ilustraciones contra su unidad a fin de familiarizarse con la ubicación de los distintos controles y regulaciones. Conserve este manual para referencias futuras.

DESCRIPCIÓN DE OPERACIONES (FIG. 4)



Familiarícese con estos controles antes de operar la unidad.

Interruptor Auto (I)/ Apagado (O) [Auto (I)/Off (O)] (D): Para que el interruptor de presión se encierre automáticamente, coloque el interruptor en Auto (I) y en Off (O) para desenergizarlo al final de cada uso.

Interruptor de presión (E): El interruptor de presión permite el arranque automático del motor cuando la presión del tanque disminuye a la presión de arranque regulada en fábrica. El motor se detendrá cuando la presión del tanque alcance la "presión de corte" regulada en fábrica.

Válvula de seguridad (F): Si el interruptor de presión dejara de cortar el suministro de presión del compresor conforme a los valores prefijados para la "presión de corte", la válvula de seguridad protegerá contra la presión elevada, "abriéndose" a la presión prefijada (ligeramente superior a la "presión de corte").

Manómetro de la presión del tanque (G): El manómetro que controla la presión del tanque indica la reserva de presión del tanque de aire.

Manómetro regulado (H): Este manómetro indicará la presión de aire disponible a la salida del regulador. Esta presión está controlada por el regulador y siempre es menor o igual que la presión del tanque.

Sistema de enfriamiento (no mostrado): Este compresor contiene un sistema de enfriamiento de avanzada. El núcleo de este sistema de enfriamiento contiene un ventilador diseñado especialmente. Es normal que este ventilador sople grandes cantidades de aire por los orificios de ventilación. Usted sabrá que el sistema de enfriamiento funciona adecuadamente cuando perciba que sale aire.

Bomba de compresión del aire (J): Comprime el aire dentro del tanque. El aire de trabajo no se encuentra disponible hasta que el compresor haya alcanzado a llenar el tanque hasta un nivel de presión por encima del requerido para la salida del aire.

Válvulas de drenaje (K): Una válvula de drenaje se ubica en la base de cada tanque de aire y se usa para drenar condensación al final de cada uso.

Válvula de retención (L): Cuando el compresor de aire se encuentra funcionando, la válvula de retención está "abierta", permitiendo la entrada del aire comprimido al tanque de aire. Cuando el nivel de presión del tanque alcanza la "presión de corte", la válvula de retención "se cierra", reteniendo la presión del aire dentro del tanque.

Protector de sobrecalentamiento del motor (no mostrado): El motor tiene un protector de sobrecarga térmica. Si el motor se recalienta por alguna razón, el protector de sobrecarga apagará el motor. Se debe permitir que el motor se enfríe antes de volver a encenderlo. Para volver a encenderlo:

1. Coloque la palanca Auto/Off en la posición "Off" y desenchufe la unidad.
2. Espere que el motor se enfríe.
3. Enchufe el cable eléctrico en el receptáculo apropiado del circuito de derivación.
4. Coloque la palanca Automático/Apagado en la posición "Auto".

Cuerpo universal de conexión rápida (M): El conector rápido universal acepta los tres estilos más populares de enchufes de conexión rápida: Industrial, para automóviles y ARO. "Empujar para conectar" con una sola mano, esta operación hace que las conexiones sean más simples y fáciles. Los dos conectores rápidos permiten la utilización de dos herramientas al mismo tiempo.

Regulador (N): Controla la presión de aire que indica el manómetro de salida. Tire de la perilla y gírela en sentido horario para incrementar la presión, y hágalo en sentido inverso para disminuirla. Cuando se logre la presión deseada, presione la perilla para bloquearla.

Filtro para la entrada del aire (P): Este filtro está diseñado para limpiar el aire que entra a la bomba. Dicho filtro debe estar siempre limpio y los orificios de ventilación libres de obstrucciones. Vea **Mantenimiento**.

Varilla de medición (Q) (no mostrado): Indica la cantidad de aceite en la bomba, MÁX. indica lleno y MÍN. indica que debe agregarse aceite. Vea los párrafos sobre la **Aceite de la bomba** en la sección **Mantenimiento** para obtener instrucciones.

Tapón de drenaje de aceite (R) (no mostrado): Vea los párrafos de la **Aceite de la bomba** en la sección **Mantenimiento** para obtener instrucciones sobre cómo cargar la bomba de aceite.

Válvula aliviadora de presión (no mostrado): La válvula aliviadora de presión se encuentra ubicada en el costado del interruptor de presión; ha sido diseñada para liberar automáticamente el aire comprimido de la cabeza compresora y el tubo de salida, cuando el compresor de aire alcanza la "presión de corte" o es apagado. La válvula aliviadora de presión permite el arranque libre del motor. Cuando el motor se detiene, debería escucharse el escape del aire a través de dicha válvula durante unos segundos. No debe escucharse escape alguno mientras el motor está en marcha, ni pérdidas continuas una vez que se alcanzó la "presión de corte".

CÓMO UTILIZAR SU UNIDAD (FIG. 4)

CÓMO DETENERLA

1. Coloque la posición de la llave interruptora Auto/Off (D) en la posición "Off".
2. Desenchufe la unidad de la toma de corriente cuando no esté en uso.

ANTES DE PONER EN MARCHA

⚠ ADVERTENCIA: No opere esta unidad hasta que haya leído y comprendido este manual de instrucciones de seguridad, operación y mantenimiento.

CONFIGURACIÓN INICIAL (PROCEDIMIENTO PARA EL ASENTAMIENTO)

AVISO: Riesgo daño a la propiedad. Si las siguientes instrucciones no fuesen seguidas estrictamente, podrán ocurrir serios daños.

Este procedimiento es necesario **antes** de poner en servicio al compresor de aire, y cuando la válvula reguladora o la bomba completa del compresor haya sido reemplazada.

1. Coloque la posición de la llave interruptora Auto/Off (D) en la posición "Off".
2. Verifique el nivel de aceite en la bomba. Para recibir instrucciones, lea al párrafo **Aceite de la bomba-Verifique** en la sección **Mantenimiento** para obtener instrucciones.
3. Enchufe el cable de alimentación en el tomacorriente del ramal del circuito correcto. (Referirse al párrafo **Protección del voltaje y del circuito** en la sección **Instalación** de este manual para obtener instrucciones).
4. Abra las válvulas de drenaje (K) (en el sentido contrario a las agujas del reloj) por completo para permitir que el aire escape e impedir que se acumule presión de aire en el tanque de aire durante el período de descanso.
5. Mueva la palanca Auto/Off a la posición "Auto". El compresor se pondrá en marcha.
6. Haga funcionar el compresor durante 20 minutos. Asegúrese de que la válvula de drenaje esté abierta y que la presión de aire acumulado en el tanque sea mínima.
7. Después de 20 minutos, cerrar la válvula de drenaje girándola en el sentido del reloj. El tanque de aire se llenará hasta alcanzar la presión de corte y el motor se detendrá.

Ahora el compresor está listo para usarse.

ANTES DE CADA PUESTA EN MARCHA

1. Coloque la posición de la llave interruptora Auto/Off (D) en la posición "Off".
2. Asegúrese de que el tanque de aire se haya drenado, consulte **Drenar el tanque de aire** en la sección **Mantenimiento** para obtener instrucciones.
3. Asegúrese de que la válvula de drenaje (K) esté cerrada.
4. Asegúrese de que la válvula de seguridad (F) funcione correctamente, consulte **Cómo verificar la válvula de seguridad** en la sección **Mantenimiento** para obtener instrucciones.
5. Controle el nivel de aceite de la bomba, consulte **Aceite de la bomba-Verifique** en la sección **Mantenimiento** para obtener instrucciones.

NOTICE: No opere la unidad sin aceite o con aceite inadecuado. PORTER-CABLE no se responsabiliza por las fallas del compresor provocadas por el uso de aceite inadecuado.

6. Enchufe el cable de alimentación en el tomacorriente del ramal del circuito correcto. (Referirse al párrafo **Protección del voltaje y del circuito** en la sección **Instalación** de este manual).
7. Gire la perilla del regulador (N) contra el sentido del reloj para regular la presión de la salida a cero. Presione la perilla del regulador para que se bloquee en su lugar.
8. Conecte la manguera y accesorios.

⚠ ADVERTENCIA: Riesgo de operación insegura. Sostenga la manguera firmemente con las manos al instalarla o desconectarla para evitar la desconexión repentina de la manguera.

⚠ ADVERTENCIA: Riesgo de operación insegura. No utilice los accesorios dañados o usados.

NOTA: Tanto la manguera como los accesorios requerirán un enchufe de conexión rápida si la salida del aire está equipada con un acople de conexión rápida (M).

9. Asegúrese de que todos los cubiertas y etiquetas estén en su lugar, sean legibles (en el caso de las etiquetas) y estén montados en forma segura. No utilice el compresor hasta que no haya verificado todos los puntos.

⚠ ADVERTENCIA: Riesgo de Explosión. Demasiada presión de aire podrá ser la causa de riesgo de explosión. Verifique los valores de máxima presión dados por el fabricante de las herramientas neumáticas y los accesorios. La presión de salida del regulador jamás debe exceder los valores de máxima presión especificados.

AVISO: Riesgo de daño a la propiedad. El aire comprimido de la unidad puede contener condensación de agua y emanación de aceite. No pulverice aire no filtrado sobre un artículo que podría dañarse con la humedad. Algunos dispositivos o herramientas neumáticas pueden requerir aire filtrado. Lea las instrucciones del dispositivo o la herramienta neumática.

CÓMO PONER EN MARCHA

1. Coloque la posición de la llave interruptora Auto/Off (D) en la posición "Auto" y deje que se incremente la presión del tanque. El motor se detendrá una vez alcanzado el valor de "presión de corte" del tanque.
2. Gire la perilla del regulador (N) en el sentido del reloj para aumentar la presión y deténgase al alcanzar la presión deseada. Presione la perilla del regulador para que se bloquee en su lugar.

▲ ADVERTENCIA: Si observa algún ruido o vibración inusuales, apague el compresor y contacte a un técnico calificado en servicio.

Ahora el compresor está listo para usarse.

MANTENIMIENTO

RESPONSABILIDADES DEL CLIENTE

Procedimiento	Diaria-mente	Semana-mente	1 vez al año o cada 200 horas	Remítase a la etiqueta de advertencia del tanque
Controlar la válvula de seguridad	X			
Drenar el tanque de aire	X			
Controlar el nivel de aceite de la bomba	X			
Cambiar el aceite de la bomba			X (2, 3)	
Inspeccionar si hay pérdidas de aceite	X			
Controlar ruidos o vibraciones inusuales	X			
Verificar si hay pérdidas de aire	X (1)			
Limpiar el exterior del compresor		X		
El tanque debe ser dado de baja				X (4)
(1) Para verificar si hay pérdidas de aire aplique una solución de agua jabonosa alrededor de las juntas. Mientras el compresor bombea para generar presión y luego de que la presión se corte, vea si se forman burbujas de aire.				
(2) La bomba de aceite debe cambiarse luego de las primeras 20 horas de funcionamiento. Cambie el aceite cada 200 horas de funcionamiento o una vez por año, lo que suceda primero.				
(3) Más frecuente en lugares con humedad o polvo				
(4) Para mayor información, llame a nuestro Centro de Atención al Cliente al 1-888-848-5175				

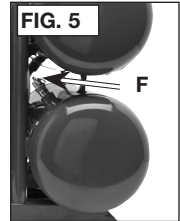
⚠ ADVERTENCIA: La unidad arranca automáticamente cuando está conectada. Al hacer el mantenimiento puede quedar expuesto a fuentes de voltaje, de aire comprimido o a piezas movibles que pueden causar lesiones personales. Antes de intentar hacerle cualquier mantenimiento, desconecte el compresor del suministro eléctrico y drénele toda la presión de aire.

NOTA: Vea en la sección *Operación* la ubicación de los controles.

CÓMO VERIFICAR LA VÁLVULA DE SEGURIDAD (FIG. 5)

⚠ ADVERTENCIA: Riesgo de Explosión. Si la válvula de seguridad no trabaja adecuadamente, ello podrá determinar la sobrepresión del tanque, creando el riesgo de su ruptura o explosión.

⚠ ADVERTENCIA: Riesgo de objetos despedidos. Utilice siempre equipo de seguridad certificado: anteojos de seguridad ANSI Z87.1 (CAN/CSA Z94.3) con protección lateral.



⚠ ADVERTENCIA: Superficies calientes. Riesgo de quemadura. El tubo de salida, el cabezal de la bomba y las partes circundantes están muy calientes, no las toque (vea **Superficies calientes** identificadas en *Instrucciones importantes de seguridad*). Permita que el compresor se enfríe antes de realizar tareas de servicio.

Antes de poner en marcha el motor, tire del anillo de la válvula de seguridad (F) para confirmar que opera libremente. Si la válvula quedase trabada o no trabajara suavemente, debe reemplazarse por el mismo tipo de rdar el compresor de aire.

CÓMO DRENAR EL TANQUE (FIG. 5, 6)

⚠ ADVERTENCIA: Riesgo de operación insegura. Los tanques de aire contienen aire de alta presión. Mantenga la cara y otras partes del cuerpo lejos de la salida del drenaje. Utilice anteojos de seguridad [ANSI Z87.1 (CAN/CSA Z94.3)], ya que al drenar se pueden desprender residuos hacia la cara.

⚠ ADVERTENCIA: Riesgo de ruido excesivo. Utilice siempre protección auditiva apropiada al usar esta herramienta. Bajo algunas condiciones y duraciones de uso, el ruido producido por este producto puede contribuir a la pérdida auditiva.

NOTA: Todos los sistemas de aire comprimido generan condensado que se acumula en cualquier punto de drenaje (por ej., tanques, filtro, tubos de salida, secadores). Esta condensación contiene aceite lubricante y/o sustancias que pueden estar reguladas y que se deben desechar conforme a las leyes y reglamentaciones locales, estatales y federales.

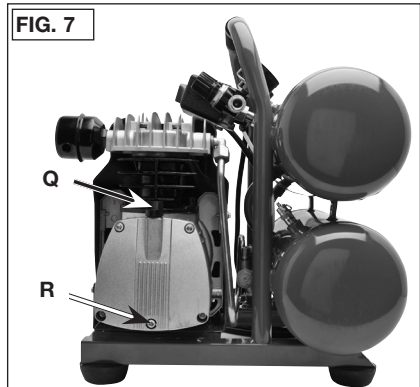
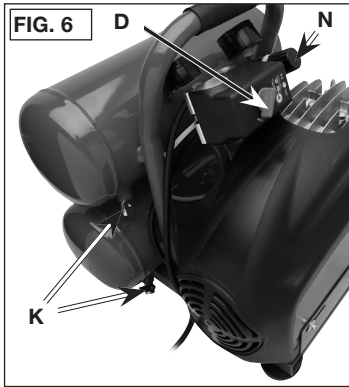
⚠ ADVERTENCIA: Riesgo de Explosión. Dentro del tanque se producirá condensación de agua. Si no drena, el agua lo corroerá y debilitará causando un riesgo de ruptura del tanque de aire.

AVISO: Riesgo de daño a la propiedad. Drene el agua del tanque de aire puede contener aceite y óxido, lo que puede provocar manchas.

1. Coloque la posición de la llave interruptora Auto/Off (D) en la posición "Off".
2. Gire la perilla del regulador (N) contra el sentido del reloj para regular la presión de la salida a cero. Presione la perilla del regulador para que se bloquee en su lugar.
3. Remueva la herramienta neumática o el accesorio.
4. Coloque un contenedor adecuado debajo de las válvulas de drenaje (K) para atrapar la descarga.
5. Tire del aro de la válvula de seguridad (F, Fig. 5) dejando purgar el aire del tanque hasta que este reduzca su presión aproximadamente a 20 psi. Suelte el aro de la válvula de seguridad.

6. Drene agua del tanque de aire abriendo las válvulas de drenaje (K) en la parte inferior de los tanques.
7. Una vez que se ha drenado el agua, cierre las válvulas de drenaje. Ahora puede almacenarse el compresor de aire.

NOTA: Si la válvula de drenaje fuera del tipo enchufe, elimine toda la presión de aire. La válvula podrá entonces ser extraída, limpiada y finalmente reinstalada.



ACEITE DE LA BOMBA (Fig. 7, 8)

⚠ ADVERTENCIA: Drene la presión del tanque antes de extraer el medido de aceite o el tapón de drenaje.

⚠ ADVERTENCIA: Superficies calientes. Riesgo de quemadura. El tubo de salida, el cabezal de la bomba y las partes circundantes están muy calientes, no las toque (vea **Superficies calientes** identificadas en **Instrucciones importantes de seguridad**). Permita que el compresor se enfríe antes de realizar tareas de servicio.

AVISO: Riesgo de daño a los bienes. Utilice únicamente aceite SAE 40 para compresores de aire sin detergentes. Los aceites para motores de automóviles de peso múltiple como el 10W30 no deben usarse en compresores de aire. Dejan depósitos de carbono en componentes críticos, reduciendo así el rendimiento y la vida del compresor.

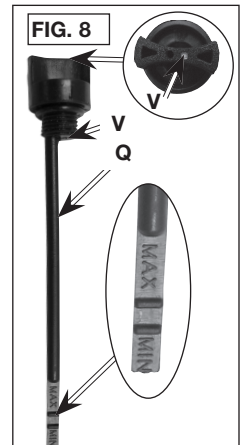
NOTA: La capacidad de aceite del cárter del cigüeñal es de aproximadamente 313,5 mL (10,6 onzas fluidas).

VERIFIQUE

1. Que la palanca Auto/Off esté en la posición "Off".
2. Coloque la unidad en una superficie plana y nivelada.
3. Extraiga el medidor de aceite (Q) y verifique que en el aceite, no haya signos visuales contaminantes (agua, suciedad, etc.)

⚠ ADVERTENCIA: Asegúrese que el respirador (V) en la varilla medidora no tenga suciedad. Si el respirador estuviese obstruido, podría acumularse presión en el cárter causando daños al compresor de aire y posiblemente también lesiones personales.

4. Limpie el aceite de la varilla medidora.
5. Reponga el medidor de aceite y deje que el aceite indique su nivel sobre el mismo.



6. Retire la varilla de medición y compruebe el nivel de aceite en la varilla de medición. La marca MÁX. en la varilla de medición indica lleno y la marca MÍN. indica que se necesita aceite. Si el nivel de aceite es inferior a la marca MÍN. lentamente agregue aceite hasta que alcance la marca MÁX. (lleno) en la varilla de medición.
7. Reponga el medidor de aceite (Q).

CAMBIO

1. Que la palanca Auto/Off esté en la posición "Off".
2. Espere que la unidad se enfríe.
3. Retire el enchufe del compresor de aire del tomacorriente.
4. Extraiga el medidor de aceite (Q).
5. Extraiga el tapón de drenaje de aceite (R) y drene el aceite en un recipiente adecuado (Inclinar el compresor hacia el tapón de drenaje ayudará al drenaje).
6. Reponga el tapón R) de aceite.
7. Lentamente llene el cárter con aceite para compresor de aire SAE 40 sin detergente. La capacidad del cárter es de 10,6 onzas líquidas (313,5 ml). El nivel de aceite debería estar en la marca MÁX. en la varilla de medición.

NOTA: Si se agregase aceite rápidamente, éste rebalsará y parecerá como si estuviese completo.

8. Coloque la varilla de medición nuevamente.

ALMACENAJE

Antes de guardar su compresor de aire, asegúrese de hacer lo siguiente:

1. Revise la sección **Mantenimiento** de las páginas precedentes y ejecute el mantenimiento programado de acuerdo a la necesidad.
2. Drene el agua contenida en el tanque de aire. Consulte el punto **Cómo drenar el tanque** en la sección **Mantenimiento** para obtener instrucciones.

⚠ ADVERTENCIA: **Riesgo de Explosión. El agua se condensa dentro del tanque de aire. Si no se drena, lo corroerá debilitando la paredes del tanque de aire, originando un riesgo de ruptura de sus paredes.**

3. Proteja el cable eléctrico y las mangueras de aire de daños (tales como ser pisoteados o pasados por encima). Enróllelos las mangueras de aire en forma florja, alrededor de la manija del compresor.
4. Almacene el compresor de aire en un sitio limpio y seco.

SERVICIO

PIEZAS DE REPUESTO

Utilice sólo piezas de repuesto idénticas. Para obtener una lista de las piezas o para solicitarlas, visite nuestro sitio Web en www.portercable.com. También puede solicitar piezas en una de nuestras sucursales o centros de mantenimiento con garantía autorizados más cercanos, o llamando a End User Services (Servicios para el usuario final) al 1-888-848-5175 para obtener asistencia personalizada de uno de nuestros representantes altamente capacitados.

MANTENIMIENTO Y REPARACIONES

Con el paso del tiempo, todas las herramientas de calidad requieren mantenimiento o reemplazo de las piezas. Para obtener información acerca de Delta Machinery y sus sucursales o para localizar un centro de mantenimiento con garantía autorizado, visite nuestro sitio Web en www.portercable.com o llame a End User Services (Servicios para el usuario final) al 1-888-848-5175. Todas las reparaciones realizadas en nuestros centros de mantenimiento están completamente garantizadas en relación con los materiales defectuosos y la mano de obra. No podemos otorgar garantías en relación con las reparaciones ni los intentos de reparación de otras personas. Si llama a este número, también encontrará las respuestas a las preguntas más frecuentes durante las 24 horas del día.

Asimismo, para obtener información puede escribirnos a PORTER-CABLE, PO Box 2468, Jackson, Tennessee 38302-2468 - Attention: End User Services. Asegúrese de incluir toda la información mencionada en la placa de la herramienta (número de modelo, tipo, número de serie, código de fecha, etc.)

ACCESORIOS

▲ ADVERTENCIA: Debido a que no se han probado con este producto otros accesorios que no sean los que ofrece PORTER-CABLE, el uso de tales accesorios puede ser peligroso. Para un funcionamiento seguro, con este producto sólo deben utilizarse los accesorios recomendados por PORTER-CABLE.

Su proveedor de productos PORTER-CABLE, los Centros de mantenimiento de fábrica de PORTER-CABLE y los Centros de mantenimiento autorizados de PORTER-CABLE pueden suministrarle una línea completa de accesorios. Para obtener un catálogo o para conocer el nombre de su proveedor más cercano, visite nuestro sitio Web www.portercable.com.

GUÍA DE DIAGNÓSTICO DE PROBLEMAS

⚠ ADVERTENCIA: El desarrollo de reparaciones puede exponer a sitios con corriente viva, partes en movimiento o fuentes de aire comprimido que podrían ocasionar lesiones personales. Antes de intentar reparación alguna, desenchufe el compresor de aire y purgue toda la presión de aire del tanque.

PROBLEMA	CAUSA	CORRECCIÓN
Presión excesiva del tanque - la válvula de seguridad se dispara.	El interruptor de presión no interrumpe al motor cuando el compresor alcanza la presión "de corte"	Mueva la palanca Auto/Off a la posición "Off", si el equipo no corta, haga verificar por un técnico de servicio calificado.
	El interruptor de presión "de corte" esta calibrado demasiado alto.	Haga verificar por un técnico de servicio calificado.
Las conexiones pierden aire.	Las conexiones de los tubos no están suficientemente ajustadas.	Ajuste las conexiones en las que el aire puede ser escuchado escapándose. Verifique las conexiones con solución jabonosa y agua. No sobreajuste.
Pérdida de aire en el tanque de aire o en las soldaduras del tanque de aire.	Tanque de aire defectuoso.	El tanque de aire debe ser reemplazado. No repare la pérdida. ⚠ ADVERTENCIA: No efectúe perforación alguna sobre la soldadura o cosa semejante sobre el tanque de aire, ello lo debilitará. El tanque podría romperse o explotar.
Pérdida de aire entre el cabezal y el plato de válvula.	Pérdida en el sellado.	Haga verificar por un técnico de servicio calificado.
Pérdida de aire en la válvula de seguridad.	Posible defecto en la válvula de seguridad.	Opere la válvula de seguridad manualmente tirando de su anillo. Si la válvula aun pierde, deberá ser reemplazada.
La lectura de la presión sobre un manómetro desciende cuando se utiliza un accesorio.	Es normal que ocurra algún descenso en la presión.	Si hubiese una caída excesiva de presión durante el uso del accesorio, ajuste el regulador Descripción de operaciones de la sección Operación. NOTA: Ajuste la presión regulada bajo condiciones de flujo (mientras se esté usando el accesorio).

PROBLEMA	CAUSA	CORRECCIÓN
El compresor no esta suministrando suficiente cantidad de aire para operar los accesorios.	Excesivo y prolongado uso del aire.	Disminuya la cantidad de uso de aire.
	El compresor no tiene suficiente capacidad para el requerimiento de aire al que está sometido.	Verifique el requerimiento de aire del accesorio. Si es mayor que SCFM o la presión suministrada por su compresor de aire, se necesita un compresor de mayor capacidad.
	Orificio en la manguera.	Verifique y reemplace si fuese necesario.
	Válvula reguladora restringida.	Haga verificar por un técnico de servicio calificado.
	Pérdida de aire.	Ajuste las conexiones.
	Filtro de entrada de aire restringido	Reemplace el filtro de entrada de aire. ⚠ ATENCIÓN: Riesgo de operación insegura. No opere sin el filtro de entrada de aire.
El regulador tiene una fuga continua de aire.	Regulador dañado.	Haga verificar por un técnico de servicio calificado.
El regulador no cierra la salida del aire.	Regulador dañado.	Haga verificar por un técnico de servicio calificado.
El motor no funciona.	Fusible fundido; interruptor automático del circuito disparado.	Verifique la caja de fusibles observando la existencia de fusibles fundidos y sustitúyalos en caso de necesidad. Restablezca el interruptor automático. No use un fusible o interruptor automático con valores que excedan los especificados para la rama de su circuito.
		Verifique el uso del fusible adecuado. Debe usarse un fusible de acción retardada.
		Verifique la existencia de problemas con el bajo voltaje.
		Verifique la extensión del conductor eléctrico.
		Desconecte los otros artefactos eléctricos del circuito u opere el compresor en su ramal de circuito correspondiente.

PROBLEMA	CAUSA	CORRECCIÓN
El motor no funciona.	El cable de extensión eléctrica tiene una longitud o calibre erróneo.	Verifique la extensión del conductor eléctrico.
	Conexiones eléctricas sueltas.	Compruebe la conexión de cableado dentro del interruptor de presión.
	Posible motor o capacitor de arranque defectuosos	Haga verificar por un técnico de servicio calificado.
	Se activó el interruptor de sobrecarga del motor	Consulte Protector de sobrecalentamiento del motor en la sección Operación . Si la protección de la sobrecarga del motor dispara con frecuencia, comuníquese con un técnico de servicio calificado.
	La presión del tanque excede la presión de "corte máximo" del interruptor de presión.	El motor arrancará automáticamente cuando la presión del tanque caiga por debajo de la presión de corte máxima del interruptor de presión
	La válvula de retención se ha quedado abierta.	Contacte a un técnico de servicio calificado.
	Rociado de pintura en las partes internas del motor.	Haga inspeccionar por un técnico capacitado de servicio. No haga funcionar el compresor en el área de pintura por rociado. Vea la advertencia acerca de vapores inflamables
	La válvula de liberación de presión en el interruptor de presión no ha descargado la carga de presión.	Purgue la línea presionando el interruptor automático/Apagado en el interruptor de presión en la posición "Apagado"; si la válvula no se abre, reemplace el interruptor.
Golpeteo	Posible defecto en la válvula de seguridad.	Opere la válvula de seguridad manualmente tirando de su anillo. Si la válvula aun pierde, deberá ser reemplazada.
	Posible defecto en la válvula de seguridad.	Extraiga y limpie o reemplace.
	Acumulación de carbón en la bomba.	Hágala verificar por un técnico entrenado.
Sonido a chiflido	La bomba del compresor no tiene aceite.	Ver Aceite de la bomba-Verifique en la sección Mantenimiento .
La ventilación de aire en la varilla de medición está bloqueada.	Ventilación de aire obstruida con escombros.	Limpie la ventilación de aire o reemplace la varilla de medición.

REPARACIONES

Para asegurar la SEGURIDAD y la CONFIABILIDAD del producto, las reparaciones, el mantenimiento y los ajustes deben (inclusive inspección y cambio de carbones) ser realizados en un centro de mantenimiento en la fábrica PORTER-CABLE, en un centro de mantenimiento autorizado PORTER-CABLE u por otro personal de mantenimiento calificado. Utilice siempre piezas de repuesto idénticas.

PARA REPARACIÓN Y SERVICIO DE SUS HERRAMIENTAS ELÉCTRICAS, FAVOR DE DIRIGIRSE AL CENTRO DE SERVICIO MÁS CERCANO

CULIACAN, SIN

Blvd.Emiliano Zapata 5400-1 Poniente
Col. San Rafael

(667) 717 89 99

GUADALAJARA, JAL

Av. La Paz #1779 - Col. Americana Sector Juárez

(33) 3825 6978

MEXICO, D.F.

Eje Central Lázaro Cárdenas No. 18
Local D, Col. Obrera

(55) 5588 9377

MERIDA, YUC

Calle 63 #459-A - Col. Centro

(999) 928 5038

MONTERREY, N.L.

Av. Francisco I. Madero 831 Poniente - Col. Centro

(818) 375 23 13

PUEBLA, PUE

17 Norte #205 - Col. Centro

(222) 246 3714

QUERETARO, QRO

Av. San Roque 274 - Col. San Gregorio

(442) 2 17 63 14

SAN LUIS POTOSI, SLP

Av. Universidad 1525 - Col. San Luis

(444) 814 2383

TORREON, COAH

Blvd. Independencia, 96 Pte. - Col. Centro

(871) 716 5265

VERACRUZ, VER

Prolongación Díaz Mirón #4280 - Col. Remes

(229) 921 7016

VILLAHERMOSA, TAB

Constitución 516-A - Col. Centro

(993) 312 5111

PARA OTRAS LOCALIDADES:

Si se encuentra en México, por favor llame al (55) 5326 7100

Si se encuentra en U.S., por favor llame al (888) 848-5175

PÓLIZA DE GARANTÍA

IDENTIFICACIÓN DEL PRODUCTO:

Sello o firma del Distribuidor.

Nombre del producto: _____ Mod./Cat.: _____

Marca: _____ Núm. de serie: _____

(Datos para ser llenados por el distribuidor)

Fecha de compra y/o entrega del producto: _____

Nombre y domicilio del distribuidor donde se adquirió el producto:

Este producto está garantizado por un año a partir de la fecha de entrega, contra cualquier defecto en su funcionamiento, así como en materiales y mano de obra empleados para su fabricación. Nuestra garantía incluye la reparación o reposición del producto y/o componentes sin cargo alguno para el cliente, incluyendo mano de obra, así como los gastos de transportación razonablemente erogados derivados del cumplimiento de este certificado.

Para hacer efectiva esta garantía deberá presentar su herramienta y esta póliza sellada por el establecimiento comercial donde se adquirió el producto, de no contar con ésta, bastará la factura de compra.

EXCEPCIONES

Esta garantía no será válida en los siguientes casos:

- Cuando el producto se hubiese utilizado en condiciones distintas a las normales;
- Cuando el producto no hubiese sido operado de acuerdo con el instructivo de uso que se acompaña;
- Cuando el producto hubiese sido alterado o reparado por personas distintas a las enlistadas al final de este certificado.

Anexo encontrará una relación de sucursales de servicio de fábrica, centros de servicio autorizados y franquiciados en la República Mexicana, donde podrá hacer efectiva su garantía y adquirir partes, refacciones y accesorios originales.

GARANTÍA COMPLETA DE UN AÑO

Las herramientas industriales **PORTER-CABLE** tienen garantía de un año a partir de la fecha de compra. Repararemos, sin cargo, cualquier defecto debido a fallas en los materiales o la mano de obra. Para obtener información sobre las reparaciones cubiertas por la garantía, llame al 1-888-848-5175. Esta garantía no se extiende a los accesorios o a los daños causados por terceros al intentar realizar reparaciones. Esta garantía le concede derechos legales específicos; usted goza también de otros derechos que varían según el estado o provincia.

AMÉRICA LATINA: Esta garantía no se aplica a los productos que se venden en América Latina. Para los productos que se venden en América Latina, debe consultar la información de la garantía específica del país que viene en el empaque, llamar a la compañía local o visitar el sitio Web a fin de obtener esa información.

REEMPLAZO GRATUITO DE LAS ETIQUETAS DE ADVERTENCIA: Si sus etiquetas de advertencia se tornan ilegibles o faltan, llame al 1-888-848-5175 para que se le reemplacen gratuitamente.

The following are PORTER-CABLE trademarks for one or more power tools and accessories: a gray and black color scheme; a ✦ “four point star” design; and three contrasting/outlined longitudinal stripes.

Les éléments ci-dessous sont des marques de commerce des outils et des accessoires de PORTER-CABLE : un agencement de couleurs grise et noire; un motif d' « étoile à quatre pointes » ✦ et trois bandes longitudinales contrastantes/à contours.

Las siguientes son marcas comerciales PORTER-CABLE que distinguen a una o más herramientas y accesorios: un gráfico de color gris y negro; un diseño de ✦ “estrella de cuatro puntas” y tres franjas longitudinales contrastantes/delineadas.

PORTER ✦ CABLE®

4825 Highway 45 North
Jackson, TN 38305

1-888-848-5175

www.portercable.com

Made in China/ Hecho en China/ Fabriqué en China