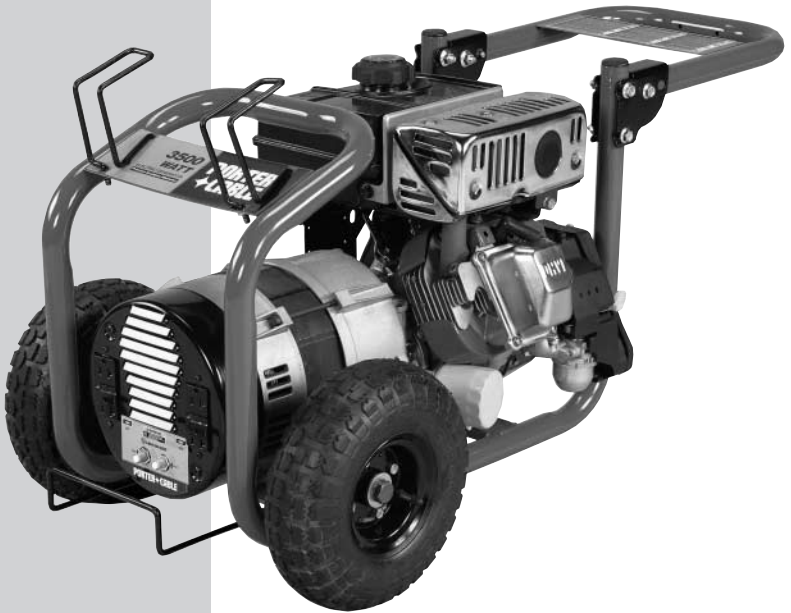


Instruction manual

ESPAÑOL: PÁGINA 23
FRANÇAIS: PAGE 45

Model
PGN350

Generator



To learn more about Porter-Cable
visit our website at:

<http://www.porter-cable.com>

PORTER-CABLE

IMPORTANT

Please make certain that the person who is to use this equipment carefully reads and understands these instructions before starting operations.

The Model and Serial No. plate is located on the frame. Record these numbers in the spaces below and retain for future reference.

Model No. _____

Type _____

Serial No. _____

CONSUMER GENERAL AND SERVICE INFORMATION

- Please read and follow these instructions for proper use and maintenance.
- If you experience any problems and need assistance, please call us at our toll free number **1-888-559-8550, Monday through Saturday, 8:00 a.m. To 6:00 p.m. C.S.T.**
- If repair or service part purchase is required, our many Authorized Warranty Service Centers are conveniently located and equipped to handle all in-warranty and out-of-warranty service.
- For the location of the nearest Authorized Warranty Service Center call 1-888-559-8550, Ext. 2, 24 hours a day, 7 days a week.
- Retain sales receipt as proof of purchase for warranty service.
- **Read and understand all safety warnings.**
- Do not operate this unit until you have read and understand this Owners Manual for Safety, Operation, and Maintenance Instructions.
- Do not operate this unit until you have read and understand the Engine Owners Manual for Safety, Operation, and Maintenance Instructions.

Note: Photographs and line drawings used in this manual are for reference only and do not represent a specific model.

CONSUMER SAFETY INFORMATION

▲ WARNING Read Operators Manual. Do not operate equipment until you have read operators Manual for Safety, Assembly, Operation, and Maintenance Instructions.

▲ WARNING This product may not be equipped with a spark arresting muffler. If the product is not equipped and will be used around flammable materials, or on land covered with materials such as agricultural crops, forest, brush, grass, or other similar items, then an approved spark arrester must be installed and is legally required in the state of California. It is a violation of California statutes section 130050 and/or sections 4442 and 4443 of the California Public Resources Code, unless the engine is equipped with a spark arrester, as defined in section 4442, and maintained in effective working order. Spark arrester are also required on some U.S. Forest Service land and may also be legally required under other statutes and ordinances.

▲ WARNING Engine exhaust contains chemicals known, in certain quantities, to cause cancer, birth defects or other reproductive harm.

SAFETY GUIDELINES / DEFINITIONS

This manual contains information that is important for you to know and understand. This information relates to protecting YOUR SAFETY and PREVENTING EQUIPMENT PROBLEMS. To help you recognize this information, we use the symbols below. Please read the manual and pay attention to these sections.

⚠ DANGER

Indicates an imminently hazardous situation which, if not avoided, will result in death or serious injury.

⚠ WARNING

Indicates a potentially hazardous situation which, if not avoided, could result in death or serious injury.

⚠ CAUTION

Indicates a potentially hazardous situation which, if not avoided, may result in minor or moderate injury.

CAUTION

used without the safety alert symbol indicates potentially hazardous situation which, if not avoided, may result in property damage.

IMPORTANT SAFETY INSTRUCTIONS

⚠ WARNING

Improper operation or maintenance of this product could result in serious injury and property damage. **Read and understand all warnings and operating instructions before using.**

RISK OF ELECTROCUTION AND FIRE



⚠ DANGER

HAZARD	WHAT CAN HAPPEN	HOW TO PREVENT IT
<p>Attempting to connect generator directly to the electrical system of any building structure.</p>	<p>Back feeding electricity through a building's electrical system to the outside utility feed lines could endanger repair persons attempting to restore service.</p>	<p>Never backfeed electricity through a structure's electrical system.</p>
	<p>Attempting to connect to the incoming utility service could result in electrocution.</p>	<p>To connect to a structure's electrical system in a safe manner, always have a Double-Throw Transfer Switch installed by a qualified electrician and in compliance with local ordinances. (When installing a Double-Throw Transfer Switch, a minimum of 10 gauge wiring must be used.)</p>
	<p>Restoration of electrical service while the generator is connected to the incoming utility could result in a fire or serious damage if an isolator switch is not installed.</p> <p>Failure to use a double throw transfer switch when connecting to a structure's electrical system can damage appliances and WILL VOID the manufacturer's warranty.</p>	

⚠ DANGER**RISK OF ELECTROCUTION AND FIRE
(Continued)**

HAZARD	WHAT CAN HAPPEN	HOW TO PREVENT IT
Operation of generator in rain, wet, icy, or flooded conditions.	Water is an excellent conductor of electricity! Water which comes in contact with electrically charged components can transmit electricity to the frame and other surfaces, resulting in electrical shock to anyone contacting them.	Operate generator in a clean, dry, well ventilated area. Make sure hands are dry before touching unit.
Use of worn, damaged, undersized or ungrounded extension cords.	Contact with worn or damaged extension cords could result in electrocution.	Inspect extension cords before use and replace with new cord if required.
	Use of undersize extension cords could result in overheating of the wires or attached items, resulting in fire.	Use proper size (wire gauge) cordset for application see chart in the Assembly section of this manual.
	Use of ungrounded cordsets could prevent operation of circuit breakers and result in electrical shock.	Always use a cordset having a grounding wire with an appropriate grounding plug. DO NOT use an ungrounded plug.
Placing generator on or against highly conductive surface, such as a steel walkway or metal roof.	Accidental leakage of electrical current could charge conductive surfaces in contact with the generator.	Place generator on low conductivity surface such as a concrete slab. ALWAYS operate generator a minimum of six feet from any conductive surface.
Improper connection of items to generator.	Exceeding the load capacity of the generator by attaching too many items, or items with very high load ratings to it could result in overheating of some items or their attachment wiring resulting in fire or electrical shock.	Read the load rating chart and instructions in the Wattage Calculation section. Make sure that the summation of electrical loads for all attachments does not exceed the load rating of the generator.
Operation of unit when damaged, or with guards or panels removed.	Attempting to use the unit when it has been damaged, or when it is not functioning normally could result in fire or electrocution.	Do not operate generator with mechanical or electrical problem. Have unit repaired by an Authorized Service Center.
	Removal of guarding could expose electrically charged components and result in electrocution.	Do not operate generator with protective guarding removed.

⚠ DANGER**RISK OF FIRE**

HAZARD	WHAT CAN HAPPEN	HOW TO PREVENT IT
Attempting to fill the fuel tank while the engine is running.	Gasoline and gasoline vapors can become ignited by coming in contact with hot components such as the muffler, engine exhaust gases, or from an electrical spark.	Turn engine off and allow it to cool before adding fuel to the tank. Equip area of operation with a fire extinguisher certified to handle gasoline or fuel fires.
Sparks, fire, hot objects	Cigarettes, sparks, fires, or other hot objects can cause gasoline or gasoline vapors to ignite.	Add fuel to tank in well ventilated area. Make sure there are no sources of ignition near the generator.
Improper storage of fuel	Improperly stored fuel could lead to accidental ignition. Fuel improperly secured could get into the hands of children or other unqualified persons.	Store fuel in a OSHA approved container designed to hold gasoline. Store container in secure location to prevent use by others.
Inadequate ventilation for generator	Materials placed against or near the generator or operating the generator in areas where the temperature exceeds 104° F. ambient (such as storage rooms or garages) can interfere with its proper ventilation features causing overheating and possible ignition of the materials or buildings.	Operate generator in a clean, dry, well ventilated area a minimum of four feet from any building, object or wall. DO NOT OPERATE UNIT INDOORS OR IN ANY CONFINED AREA.
Tampering with factory set engine speed settings.	Engine speed has been factory set to provide safe operation. Tampering with the engine speed adjustment could result in overheating of attachments and could cause a fire.	Never attempt to “ speed-up ” the engine to obtain more performance. Both the output voltage and frequency will be thrown out of standard by this practice, endangering attachments and the user.
Overfilling the fuel tank – fuel spillage.	Spilled fuel and its vapors can become ignited from hot surfaces or sparks.	Use care in filling the tank to avoid spilling fuel. Make sure fuel cap is secured tightly and check engine for fuel leaks before starting engine. Move generator away from refueling area or any spillage before starting engine. Allow for fuel expansion. Keep maximum fuel level ¼ inch below the tip of the fuel tank. Never refuel with the engine running.

⚠ DANGER**RISK OF INJURY AND PROPERTY DAMAGE WHEN TRANSPORTING GENERATOR**

HAZARD	WHAT CAN HAPPEN	HOW TO PREVENT IT
Fire, Inhalation, Damage to Vehicle Surfaces	Fuel or oil can leak or spill and could result in fire or breathing hazard, serious injury or death can result. Fuel or oil leaks will damage carpet, paint or other surfaces in vehicles or trailers.	If generator is equipped with a fuel shut-off valve, turn the valve to the off position before transporting to avoid fuel leaks. If generator is not equipped with a fuel shut-off valve, drain the fuel from tank before transporting. Transport fuel only in an OSHA approved container. Always place generator on a protective mat when transporting to protect against damage to vehicle from leaks. Remove generator from vehicle immediately upon arrival at your destination.

⚠ DANGER**RISK OF BREATHING - INHALATION HAZARD**

HAZARD	WHAT CAN HAPPEN	HOW TO PREVENT IT
Gasoline engines produce toxic carbon monoxide exhaust fumes.	Breathing exhaust fumes will cause serious injury or death.	Operate generator in clean, dry, well ventilated area. Never operate unit in enclosed areas such as garages, basements, storage, sheds, or in any location occupied by humans or animals. Keep children, pets and others away from area of operating unit.

⚠ WARNING**RISK OF UNSAFE OPERATION**

HAZARD	WHAT CAN HAPPEN	HOW TO PREVENT IT
Operation of generator in careless manner	All sources of energy include the potential for injury. Unsafe operation or maintenance of your generator could lead to serious injury or death to you or others.	<ul style="list-style-type: none"> Review and understand all of the operating instructions and warnings in this manual. Become familiar with the operation and controls of the generator. Know how to shut it off quickly. Equip area of operation with a fire extinguisher certified to handle gasoline or fuel fires. Keep children or others away from the generator at all times.

⚠ WARNING**RISK OF UNSAFE OPERATION
(Continued)**

HAZARD	WHAT CAN HAPPEN	HOW TO PREVENT IT
Operation of voltage sensitive appliances without a voltage surge protector	Any gasoline operated household generator will incur voltage variations causing damage to voltage sensitive appliances or could result in fire.	Always use a U.L. listed voltage sensitive surge protector to connect voltage sensitive appliances (TV, computer, stereo, etc.). Failure to use a U.L. listed voltage surge protector will void the warranty on your generator. Notice: A multiple outlet strip is not a surge protector. Make sure you use a U.L. listed voltage surge protector
Raising or suspending generators equipped with lift rings improperly	Generator could fall causing serious injury or death to you or others.	Always use proper connecting procedures as described in this manual when connecting cables, chains, or straps for raising or suspending generators equipped with lift rings.
	Improper raising or suspending can cause damage to the generator.	Always use cables, chains, or straps rated at 2000 lbs working load or more to raise or suspend generator.
Operating generator while suspended	Generator will not operate properly and will cause damage to the generator and could cause serious injury or death to you or others.	Never operate generator while suspended or in an unlevel position. Always operate generate on a flat, level surface.

⚠ WARNING**RISK OF HOT SURFACES**

HAZARD	WHAT CAN HAPPEN	HOW TO PREVENT IT
Contact with hot engine and generator components.	Contact with hot surfaces, such as engines exhaust components, could result in serious burns.	During operation, touch only the control surfaces of the generator. Keep children away from the generator at all times. They may not be able to recognize the hazards of this product.

⚠ WARNING**RISK OF MOVING PARTS**

HAZARD	WHAT CAN HAPPEN	HOW TO PREVENT IT
Contact with moving parts can result in serious injury.	The generator contains parts which rotate at high speed during operation. These parts are covered by guarding to prevent injury.	Never operate generator with guarding or cover plates removed. Avoid wearing loose fitting clothing or jewelry which could be caught by moving parts.

⚠ WARNING**RISK FROM LIFTING**

HAZARD	WHAT CAN HAPPEN	HOW TO PREVENT IT
Lifting a very heavy object.	Serious injury can result from attempting to lift too heavy an object.	The generator is too heavy to be lifted by one person. Obtain assistance from others before you try to move it.

SPECIFICATIONS

MODEL	PGN350
HORSE POWER	6.5
RATED/SURGE WATTS	3500/7250
VOLTAGE	120
AMPERAGE	29.2 A
PHASE	SINGLE
HERTZ	60 Hz
ENGINE SPEED	3600 RPM
MAX. AMBIENT TEMP.	104° F
FUEL CAPACITY	4 Quarts
RUN TIME @ 50%/100%	2.3/1.5 HOURS

ASSEMBLY



CAUTION Read this manual. Do not attempt to operate equipment until you have read this Manual for Safety, Operation, and Maintenance Instructions.

NOTE: This manual is a general manual. Information in this manual may or may not pertain to your model. Please read carefully.

NOTE: Left and right describes the location of a part with the operator facing the outlet panel.

REMOVE GENERATOR FROM CARTON

- Open carton from top.
- Remove all carton inserts.
- Remove parts and manual kits and save for assembly.
- Cut down all four corners of the box and lay panels flat.
- Remove generator from carton.
- Discard all packaging.

OTHER LOOSE PARTS

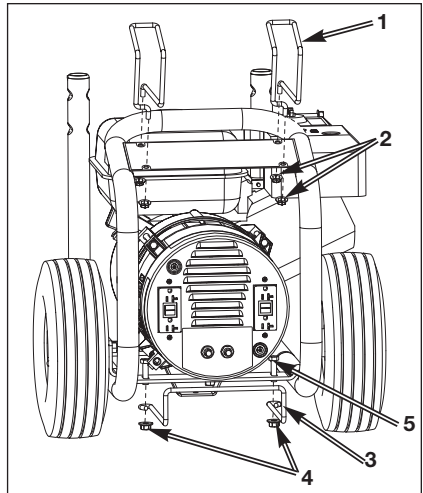
1. Oil is supplied, see engine operator's manual for correct procedure to add oil and fuel to engine.

IMPORTANT: Before any attempt to start your generator be sure to check engine oil (See Engine Operator's manual)

2. Parts kit containing: protective bar (1 used), extension cord wraps (2 used), rubber bumper (1 used), screw, 5/16-18 x 1-1/4" (2 used), screw, 1/4-20 x 3/4" (1 used), 1/4-20 keps nut with washer (1 used), 5/16-18 flange nut (2 used), self threaded flange nut (4 used).

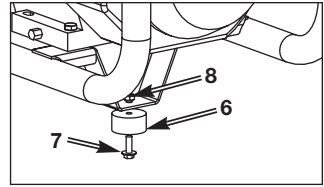
EXTENSION CORD WRAP FORMS AND PROTECTIVE BAR

1. The ends of the extension cord wrap forms are not pre-threaded. To make assembly easier use a 7/16" socket and ratchet to thread the self-threading nuts onto the ends of the extension cord wrap forms about 1/4". Remove self-threading nuts and proceed to step 2.
2. Attach each extension cord wrap form (1) to panel assembly with self threading flange nuts (2), as shown. Tighten securely.
3. Attach protective bar (3) to frame with 5/16-18 x 1-1/4" screws (5) and 5/16-18 flange nuts (4). Tighten securely.



RUBBER BUMPER

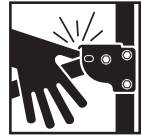
1. Attach the rubber bumper (6) to the foot bracket with 1/4-20 x 3/4" screw (7) and 1/4-20 keps nut with washer (8).



HANDLE

NOTE: Lubricate area where handles rotates in brackets with light oil.

⚠ WARNING Risk of moving parts. Keep fingers away from all moving parts. Contact with moving parts can result in serious injury. Keep children away from the generator at all times. They may not be able to recognize the hazards of this product.

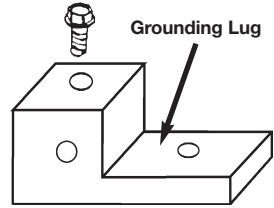


1. Raise handle and allow snap buttons to snap into place.

GROUNDING THE GENERATOR

A grounding lug is supplied with the generator for use when required by local electrical ordinances. Refer to article 250 of the National Electrical Code to clarify any needed grounding information. Your local electric company or a certified electrician should be able to help you with this information.

NOTE: Your engine is already grounded to the frame by a grounding strap.



OBTAINING ELECTRICITY FROM THE GENERATOR

There are basically 2 ways to obtain electricity from a generator:

1. Use of extension cords directly from the generator to the appliance, lights, tools, etc.
2. Use of a double-throw transfer switch installed directly to the main electrical supply outside of house.

EXTENSION CORDS

When using an appliance or tool at a considerable distance from the generator, a 3-wire extension cord that has a 3-blade grounding plug and a 3-slot receptacle that accepts the tool's plug **MUST** be used in order to reduce the risk of electrical shock. A cord of adequate size must be used. Using the following chart to determine the minimum wire size required.

Extension Cord Wire Gauge Chart		
Cord Length	Wire Gauge Size	Amperage
0 to 100 ft.	12 ga.	*Up to 20 amp draw
0 to 100 ft.	10 ga.	Up to 30 amp draw

***NOTE:** When amperage exceeds 20 amp; a 12 gauge extension cord should not be used for long distances.

⚠ CAUTION

An extension cord that is hot to the touch is overloaded. Repair or replace damaged extension cords immediately.

DOUBLE THROW TRANSFER SWITCH

⚠ WARNING

Potential hazards exist when a portable electric generator is connected to the main electrical supply coming into the house.

It is at that point that the electrical generator could feed back into the utility company's system causing possible electrocution of workers who are repairing the electrical lines.

To avoid back feeding of electricity into utility systems, a double-throw transfer switch must be installed between the generator and utility power. The Double-Throw Transfer Switch should be installed by a licensed electrician and in compliance with all state and local electrical codes. **(When installing a Double-Throw Transfer Switch, a minimum of 10 gauge wiring must be used.)**

The electrician should also install a sub-panel to isolate the circuits you would want to use during an emergency or electrical power outage. Your generator will not be large enough to handle the load of all the lights, appliances, TV, etc. at one time. To select which items to run during the electrical power outage, see **Wattage Calculation** section in this manual.

OPERATION

KNOW YOUR GENERATOR

Read this General Manual and Safety Rules before operation of your Generator.

Compare the illustration in your parts manual with your generator to familiarize yourself with the location of various controls and adjustments. Save all manuals for future references.

GENERATOR CAPACITY

IMPORTANT: Exceeding the rated capacity of your generator can result in serious damage to your generator and connected electrical devices. See the **Wattage Calculation** section in this manual to assist you in determining the appliances and tools that can be run with the wattage capacity of your generator.

CIRCUIT BREAKERS

Each receptacle has a circuit breaker to protect the generator from overloading. If the circuit breaker trips, unplug all electrical loads from the generator. Let the circuit breaker cool down. Push circuit breaker button to reset.

LOW OIL PROTECTION

Your generator engine is equipped with Low Oil Shutdown. Low Oil Shutdown is a safety device designed to protect your engine from damage in the event the oil level in the crankcase is low.

If while the engine is running, the oil gets low, it will automatically shut itself down and will not restart until the oil is added. If the oil is low before start-up, the generator will not start until oil is added.

NOTE: The Low Oil Shutdown mechanism is very sensitive. You must fill the engine to the full mark on the dipstick to inactivate this safety device.

BEFORE START UP



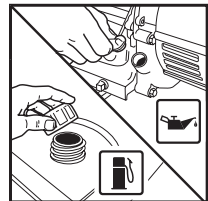
This generator has been shipped from the factory without oil in the crankcase. Operating the unit without oil can damage the engine.



Always check engine oil level before every start. Running engine low of oil or out of oil could result in serious damage to the engine.

Follow the steps listed below before starting generator:

1. Check engine oil. Refer to the Engine Operator's Manual for correct grade and quantity of oil.
2. Check fuel level, fill as required. Make sure generator is turned off and has been allowed time to cool down. Use clean, fresh, regular unleaded gasoline with a minimum of 87 octane. Do not mix oil with gasoline.



Never fill fuel tank completely. Fill tank to 1/2" below the bottom of the filler neck to provide space for fuel expansion. Wipe any fuel spillage from engine and equipment before starting engine.



Never fill fuel tank indoors. Never fill fuel tank when engine is running or hot. Do not smoke when filling fuel tank.



Never run engine indoors or in enclosed, poor ventilated areas, engine exhaust contains carbon monoxide, an odorless and deadly gas.

3. Make sure generator is grounded in accordance with local requirements.
4. All electrical loads **MUST** be disconnected.



Engine speed has been factory set to provide safe operation.

Tampering with the engine speed adjustment could result in overheating of attachments and could cause a fire. Never attempt to "speed-up" the engine to obtain more performance. Both the output voltage and frequency will be thrown out of standard by this practice, endangering attachments and the user.

CAUTION You **MUST** unplug any load from the generator before starting to prevent permanent damage to any appliances.

TO START THE ENGINE

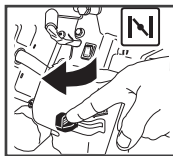
CAUTION Never run engine indoors or in enclosed, poor ventilated areas, engine exhaust contains carbon monoxide, an odorless and deadly gas.

1. Open the fuel shut-off valve on engine.

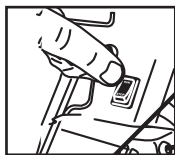


2. Move the choke control located on the engine to "CHOKE" position.

NOTE: No choke is required on warm engines. Make sure choke is in the "RUN" position on warm engine starts.

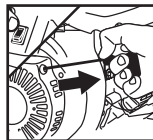


4. Move the ON/OFF switch on engine to the ON position.

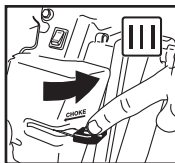


5. Grasp handle on rope starter and pull slowly until resistance is felt. Let the rope rewind slowly. Pull rope with a rapid full arm stroke. Let rope rewind slowly. Repeat if necessary.

NOTE: IF ENGINE OIL LEVEL IS TOO LOW, ENGINE WILL NOT START. CHECK OIL LEVEL AND ADD IF NECESSARY.



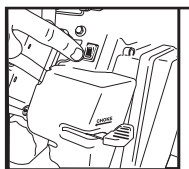
6. When engine starts, gradually move the choke to the "RUN" position.



IMPORTANT: Allow generator to run at no load for 5 minutes upon each initial start-up to allow engine and generator to stabilize.

STOPPING ENGINE

1. Disconnect all electrical loads.
2. Turn ON/OFF switch to "OFF" position.



3. Close fuel shut-off valve.



CONNECTING ELECTRICAL LOADS

1. Let engine run and warm up for five minutes after starting with no electrical load.

Connect loads in the following manner to prevent damage to equipment:

2. Connect inductive load equipment first, inductive loads consist of refrigerators, freezers, water pumps, air conditioners, or small hand tools. Connect the items that require the most wattage first. See **Wattage Calculation** Section in this manual.
3. Connect the lights next.
4. Voltage sensitive equipment should be the last equipment connected to the generator. Plug voltage sensitive appliances such as TV's, VCR's, micro-waves, ovens, computers, and cordless telephones into a UL listed voltage surge protector, then connect the UL listed voltage surge protector to the generator.

CAUTION Failure to connect and operate equipment in this sequence can cause damage to equipment and will void the warranty on your generator.

Follow the wattage calculation table in the Wattage Calculation section of this manual. Overloading the generator will cause power fluctuations and can damage equipment and appliances.

Porter-Cable Corporation will only be responsible for damage to customer's equipment when the generator is determined to be defective. This determination will only be made by an authorized representative of Porter-Cable Corporation and this decision will be final. Porter-Cable Corporation reserves the right to inspect the electrical connections at the customer's site of operation and test the generator for proper operation before any determination of liability is made. Failure to maintain the equipment or wiring for inspection will void any claim for damages by the customer. Porter-Cable Corporation will not be responsible for equipment damaged as a result of voltage surges, improper operation or improper installation of the generator.

MAINTENANCE

CUSTOMER RESPONSIBILITIES TABLE

MAINTENANCE TASK	Before each use	Every 25 Hours of Every Season	Every 50 Hours of Every Season	Every 100 Hours of Every Season
Check oil level	X	See Note 2		
Change oil			See Note 1	
Clean Air Filter Assembly		X		
Check Spark Plug		X		X
Prepare Unit for Storage	Prepare unit for storage if it is to remain idle for more than 30 days.			

Note 1: Change oil after first two (2) operating hours and every 50 operating hours thereafter, more often if operated in extreme dusty or dirty conditions.

Note 2: Check oil after 5 hours of operation.

GENERAL RECOMMENDATIONS

The warranty of the generator does not cover items that have been subjected to operator abuse or negligence. To receive full value from the warranty, operator must maintain the generator as instructed in this manual.

ENGINE MAINTENANCE

Refer to the Engine Operator's manual for service and maintenance of the engine.

GENERATOR MAINTENANCE

Your generator should be kept clean and dry at all times. The generator should not be stored or operated in environments that includes excessive moisture, dust or any corrosive vapors. If these substances are on the generator, clean with a cloth or soft bristle brush. Do not use a garden hose or anything with water pressure to clean the generator. Water may enter the cooling air slots and could possibly damage the rotor, stator and the internal windings of the gen head.

STORAGE

If you are going to store your generator for more than 30 days, use the following information as a guide to prepare the generator for storage.

⚠ CAUTION Never store generator with fuel in the tank indoors or in enclosed, poorly ventilated areas, where fumes can reach an open flame, spark or pilot light as on a furnace, water heater, clothes dryer or other gas appliances.

ENGINE PREPARATION

1. Add fuel stabilizer to fuel tank to minimize the formation of fuel gum deposits during storage.
2. Run engine at least 10 minutes after adding stabilizer to allow it to enter the fuel system.
3. Next shut off engine.
4. Disconnect the spark plug wire and remove the spark plug.
5. Add one teaspoon of oil through the spark plug hole.
6. Place rag over spark plug hole and pull the recoil a few times to lubricate the combustion chamber.
7. Replace the spark plug, but do not connect the spark plug wire.

NOTE: If a fuel stabilizer is not used, all gasoline must be drained from the tank and carburetor to prevent gum deposits from forming on these parts and causing possible malfunction of the engine.

GENERATOR

- Clean the generator as outlined in the **Maintenance** Section on this manual.
- Check that cooling air slots and openings on generator are open and unobstructed.

WATTAGE CALCULATIONS

IMPORTANT

Never exceed the rated capacity of your generator. Serious damage to the generator or appliance could result from an overload.

1. Starting and running wattage requirements should always be calculated when matching a generator's wattage capacity to the appliance or tool.
2. There are two types of electrical appliances that can be powered by your generator:
 - A. Items such as radios, light bulbs, television sets, and microwaves have a "resistive load". Starting wattage and running wattage are the same.
 - B. Items such as refrigerators, air compressors, washer, dryer, and hand tools that use an electrical motor have an "inductive load". Inductive load appliances and tools require approximately 2 to 4 times the listed wattage for **starting** the equipment. This initial load only lasts for a few seconds on start-up but is very important when figuring your total wattage to be used.
 - C. Always start your largest electric motor first, and then plug in other items, one at a time.

NOTE: On 120-volt loads the maximum starting wattage should **NOT** exceed one half of the rated generator wattage. Example: a 5000 rated wattage generator = 2500 maximum starting wattage.

DETERMINING WATTAGE REQUIREMENTS

Before operating this generator list all of the appliances and/or tools that are going to operate at the same time. (Then determine the starting wattage requirements and the running wattage requirements by following example and/or refer to household wattage calculator.)

1. First total the running wattage of all appliances and/or tools that will be operated at the same time.

	<u>Running Watts</u>	<u>Starting Watts</u>
Example 1:		
Lights	= 100 Watts	0
Television	= 300 Watts	0
Slow Cooker	= <u>250 Watts</u>	<u>0</u>
TOTAL	=650 Watts	0

2. Next the starting wattages of any appliances and/or tools that will start and stop during operation.

	<u>Running Watts</u>	<u>Starting Watts</u>
Example 2:		
Small Refrigerator	<u>500 Watts</u>	<u>2000 Watts</u>
TOTAL	=500 Watts	2000 Watts

3. The running wattage of examples 1 & 2 totals 1150 watts. The starting wattage of the small refrigerator is 2000 watts which is 1500 watts more than the running watts. Take this difference of 1500 starting watts from the refrigerator and add to the total running watts of 1150.

Example 3:	1500 Starting Watts
	<u>1150 Running Watts</u>
TOTAL	=2650 Total Watts

Generator must have a maximum capacity of at least 2650 watts.

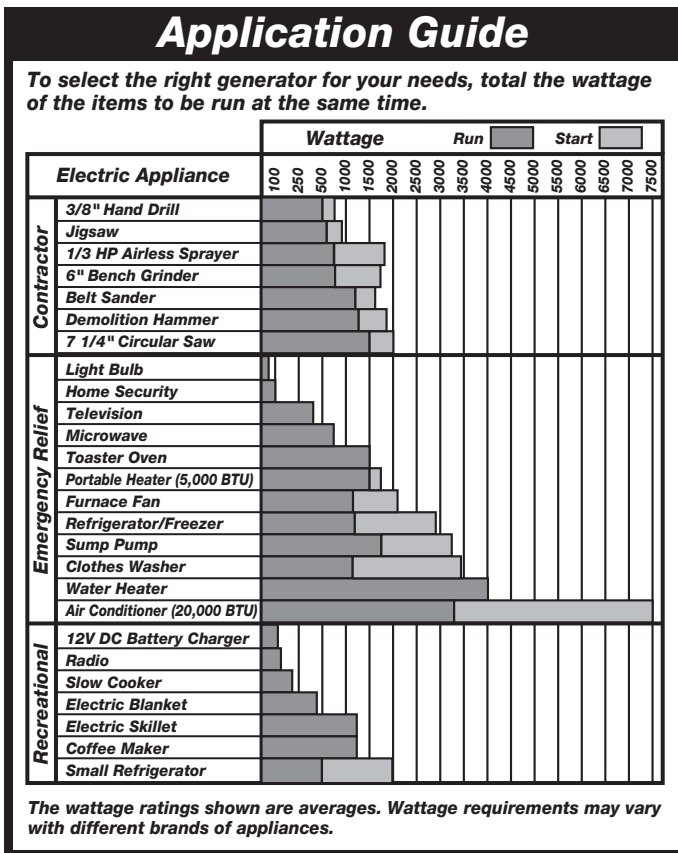
STARTING WATTAGE REQUIREMENTS

- Some appliances and tools will list on the motor nameplate the starting and running voltage and amperage requirements. Use the following formula to convert voltage and amperage to wattage:

$$\text{Volts X Amp} = \text{Watts}$$

Example: 120 volts x 10 amps = 1200 watts

- To determine the approximate starting wattage requirement for most appliances and tools with inductive type motors, multiply the wattage that was calculated by 2 to 4 times to assure adequate generator capacity. If the nameplate information is not available use the values on the following chart as a guide.
- Remember that the starting and running wattage for resistive loads are the same. (**Example:** a 100 watt light bulb requires only 100 watts to start.) Most resistive loads will be listed in wattage.



HOUSEHOLD WATTAGE CALCULATOR

DEVICES WITH HIGH STARTING (INDUCTIVE)LOADS		APPLIANCE OR LOAD DEVICE*	TYPICAL DEVICE WATTAGE**	TOTAL
RUN WATTS	TIMES (X) START FACTOR			
800	x 3	REFRIGERATOR/FREEZER	= 2400	= <input type="text"/>
600	x 3	SMALL REFRIGERATOR	= 1800	= <input type="text"/>
2400	x 3	AIR COND.(ROOM)	= 7200	= <input type="text"/>
1000	x 2	SUMP PUMP 1/2 HP	= 2000	= <input type="text"/>
800	x 3	FURNACE FAN 1/3 HP	= 2400	= <input type="text"/>
1000	x 2	WELL PUMP 1/2 HP	= 2000	= <input type="text"/>
		HOT PLATE	= 1500	= <input type="text"/>
		TELEVISION	= 300	= <input type="text"/>
		MICROWAVE	= 800	= <input type="text"/>
		SPACE HEATER	= 1500	= <input type="text"/>
		WATER HEATER	= 4000	= <input type="text"/>
		LIGHTING		
		60 WATT BULBS	60 x <input type="text"/>	= <input type="text"/>
		75 WATT BULBS	75 x <input type="text"/>	= <input type="text"/>
		100 WATT BULBS	100 x <input type="text"/>	= <input type="text"/>
		300 WATT BULBS	300 x <input type="text"/>	= <input type="text"/>
		ELECTRIC LOAD GRAND TOTAL		<input type="text"/>
THIS TOTAL MUST BE <u>LESS THAN</u> YOUR GENERATOR RATING				
		WATTAGE RATING OF YOUR GENERATOR		<input type="text"/>
THIS TOTAL MUST BE <u>GREATER THAN</u> YOUR HOUSEHOLD WATTAGE LOAD				

CAUTION !!

DO NOT CONNECT VOLTAGE SENSITIVE ELECTRONIC EQUIPMENT (TV SET, COMPUTER, ETC.) DIRECTLY TO YOUR GENERATOR. IF YOU USE THE GENERATOR TO POWER SENSITIVE EQUIPMENT YOU MUST USE A U.L. LISTED VOLTAGE SURGE PROTECTOR.

NOTICE: FAILURE TO USE A U.L. LISTED VOLTAGE SURGE PROTECTOR WILL DAMAGE YOUR EQUIPMENT AND VOID YOUR WARRANTY.

THE IDLE CONTROL MUST BE IN THE OFF POSITION WHEN OPERATING LARGE MOTOR LOADS (FREEZERS, REFRIGERATORS, ETC.) OR VOLTAGE SENSITIVE ELECTRONIC EQUIPMENT (TV, COMPUTERS, ETC.)

*FOR PRODUCTS NOT LISTED REFER TO CALCULATION INSTRUCTIONS

**AVERAGE VALUES - ACTUAL INDIVIDUAL DEVICE VOLTAGES MAY BE HIGHER OR LOWER

TROUBLESHOOTING GUIDE

PROBLEM	CAUSE	CORRECTION
Engine will not start	<ol style="list-style-type: none"> 1. Low on fuel or oil. 2. Ignition switch in "Off" position. 3. Faulty spark plug. 4. Choke in wrong position. 5. Fuel shut-off valve in closed position 6. Unit loaded during start-up. 7. Spark plug wire loose. 	<ol style="list-style-type: none"> 1. Add fuel or oil. 2. Turn to "ON" position 3. Replace spark plug. 4. Adjust choke accordingly. 5. Open fuel shut-off valve. 6. Remove load from unit. 7. Attach wire to spark plug.
No electrical output	<ol style="list-style-type: none"> 1. Faulty receptacle. 2. Circuit breaker kicked out. 3. Defective capacitor. 4. Faulty power cord. 5. GFCI switch breaker kicked out 	<ol style="list-style-type: none"> 1. Have Service Center replace. 2. Depress and reset. 3. Have Service Center replace capacitor. 4. Repair or replace cord. 5. Depress and reset
Repeated circuit breaker tripping	<ol style="list-style-type: none"> 1. Overload 2. Faulty cords or equipment 	<ol style="list-style-type: none"> 1. Reduce load. 2. Check for damaged, bare, or frayed wires on equipment. Replace.
Generator overheating	<ol style="list-style-type: none"> 1. Generator overloaded. 2. Insufficient ventilation. 	<ol style="list-style-type: none"> 1. Reduce load. 2. Move to adequate supply of fresh air.
Handle does not fold with ease.	<ol style="list-style-type: none"> 1. Area where handle rotates in brackets not lubricated. 	<ol style="list-style-type: none"> 1. Lubricate area with light oil. 2. Loosen bolt going thru handle on both sides.

LIMITED WARRANTY

PORTER-CABLE CORPORATION warrants to the original purchaser that all products covered under this warranty are free from defects in material and workmanship. Products covered under this warranty include air compressors, air tools, service parts, pressure washers, and generators, which have the following warranty periods:

- 3 YEARS** - Limited warranty on 2-stage oil-free air compressor pumps that operate at 1725 RPM.
- 2 YEARS** - Limited warranty on oil-lubricated air compressor pumps.
- 1 YEAR** - Limited warranty on all other air compressor components.
- 2 YEARS** - Limited warranty on electric generator alternators.
- 1 YEAR** - Limited warranty on other generator components.
- 2 YEARS** - Limited warranty on pneumatic air tools as described in Porter-Cable general catalog.
- 1 YEAR** - Limited warranty on pressure washers used in consumer applications (i.e. personal residential household usage only).
- 90 DAY** - Pressure washers used for commercial applications (income producing) and service parts.
- 1 YEAR** - Limited warranty on all accessories.

Porter-Cable will repair or replace, at **Porter-Cable's** option, products or components which have failed within the warranty period. Service will be scheduled according to the normal work flow and business hours at the service center location, and the availability of replacement parts. All decisions of **Porter-Cable** Corporation with regard to this limited warranty shall be final.

This warranty gives you specific legal rights, and you may also have other rights which vary from state to state.

RESPONSIBILITY OF ORIGINAL PURCHASER (initial User):

- To process a warranty claim on this product, DO NOT return it to the retailer. The product must be evaluated by an **Porter-Cable** Authorized Warranty Service Center. For the location of the nearest **Porter-Cable** Authorized Warranty Service Center call 1-888-559-8550, 24 hours a day, 7 days a week.
- Retain original cash register sales receipt as proof of purchase for warranty work.
- Use reasonable care in the operation and maintenance of the product as described in the Owners Manual(s).
- Deliver or ship the product to the nearest **Porter-Cable** Authorized Warranty Service Center. Freight costs, if any, must be paid by the purchaser.
- Air compressors with 60 and 80 gallon tanks will be inspected at the site of installation. Contact the nearest **Porter-Cable** Authorized Warranty Service Center that provides on-site service calls, for service call arrangements.
- If the purchaser does not receive satisfactory results from the **Porter-Cable** Authorized Warranty Service Center, the purchaser should contact Porter-Cable.

THIS WARRANTY DOES NOT COVER:

- Merchandise sold as reconditioned, used as rental equipment, and floor or display models.
- Merchandise that has become damaged or inoperative because of ordinary wear, misuse*, cold, heat, rain, excessive humidity, freeze damage, use of improper chemicals, negligence, accident, failure to operate the product in accordance with the instructions provided in the Owners Manual(s) supplied with the product, improper maintenance, the use of accessories or attachments not recommended by **Porter-Cable**, or unauthorized repair or alterations.
- * An air compressor that pumps air more than 50% during a one hour period is considered misuse because the air compressor is undersized for the required air demand.
- Repair and transportation costs of merchandise determined not to be defective.
- Costs associated with assembly, required oil, adjustments or other installation and start-up costs.
- Expendable parts or accessories supplied with the product which are expected to become inoperative or unuseable after a reasonable period of use, including but not limited to sanding disks or pads, saw and shear blades, grinding stones, springs, chisels, nozzles, o-rings, air jets, washers and similar accessories.
- Merchandise sold by **Porter-Cable** which has been manufactured by and identified as the product of another company, such as gasoline engines. The product manufacturer's warranty, if any, will apply.
- **ANY INCIDENTAL, INDIRECT OR CONSEQUENTIAL LOSS, DAMAGE, OR EXPENSE THAT MAY RESULT FROM ANY DEFECT, FAILURE OR MALFUNCTION OF THE PRODUCT IS NOT COVERED BY THIS WARRANTY.** Some states do not allow the exclusion or limitation of incidental or consequential damages, so the above limitation or exclusion may not apply to you.
- **IMPLIED WARRANTIES, INCLUDING THOSE OF MERCHANTABILITY OR FITNESS FOR A PARTICULAR PURPOSE, ARE LIMITED TO ONE YEAR FROM THE DATE OF ORIGINAL PURCHASE.** Some states do not allow limitations on how long an implied warranty lasts, so the above limitations may not apply to you.

PORTER-CABLE

Porter-Cable Corporation
Jackson, TN USA
1-888-559-8550

QUICK FACTS

**CALL 1-888-559-8550 TO FIND A LOCAL AUTHORIZED SERVICE CENTER
NEAR YOU FOR REPAIRS AND SERVICE PART PURCHASES**

ENGINE GAS	Use clean, fresh gasoline with a minimum 87 octane rating. Do not add gasoline during or immediately after use.
ENGINE OIL	Refer to engine owner's manual for oil recommendations. Most generators are equipped with a low-oil shutdown. If the oil is low or if the Generator is not level, the engine will not start.
WATTAGE	Make wattage calculations before use. Refer to general operator's manual for further instructions.
WIRING	Contact an electrician for any wiring instructions. If wiring into a house, a double-throw transfer switch and a heavy duty cord set must be used.
BATTERY VOLT REG.	Use a standard (12V) lawn and garden battery with a minimum of 45 A.H. or 210 CCA. The voltage and frequency are regulated by the rpm's of the engine. Do not adjust the throttle or governor to achieve higher performance. This will only alter the factory Pre-set settings and damage anything connected to the generator. Be sure a volt/amp surge protector is used when sensitive electronic equipment is used, such as: televisions, computers, stereos, and etc... The damage of such equipment without the use of a protector WILL NOT be covered under warranty.
ENGINE	Do not adjust or attempt maintenance without consulting engine manual or an authorized engine service center.
STORAGE	Add stabilizer to fuel tank and run engine for 5 minutes before storage. When in long term storage, operate the generator every 60 days for at least 10 minutes with a load on it. This will prevent the loss of residual magnetism that produces the electricity.
OPERATION	Allow the generator to run 5 minutes at no load for the engine and the gen head to stabilize. Make sure the adequate size of extension cord is used. Refer to the Grounding Instructions/Extension Cord section of the owners manual. If the generator is operating equipment that is drawing half of the rated watts it is considered 50% load. Using all of the rated watts is considered 100% load.

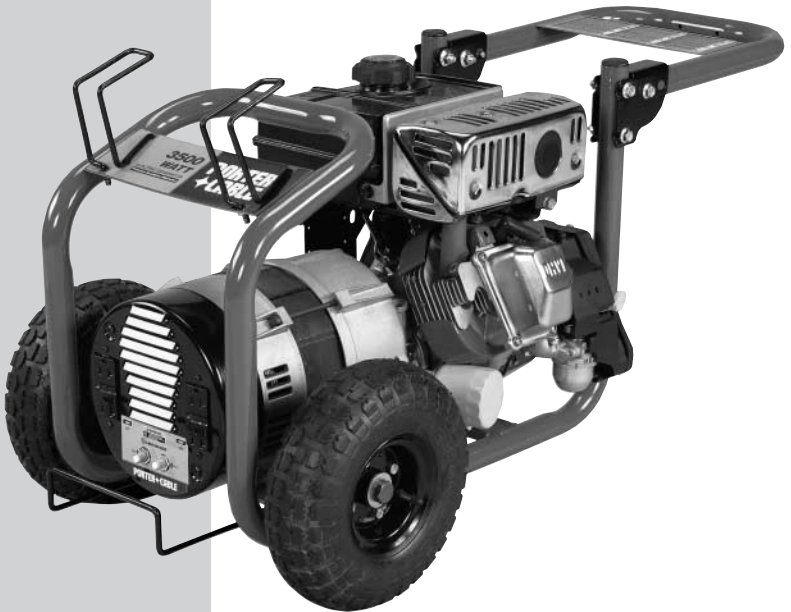
ALWAYS REFER TO THE MANUALS SUPPLIED WITH THIS UNIT

Manual de Instrucciones

MODELO
PGN350

ENGLISH: PAGE 1
FRANÇAIS: PAGE 45

Generadores



Para obtener más información
sobre Porter-Cable,
visite nuestro sitio web en:

<http://www.porter-cable.com>

PORTER-CABLE

IMPORTANTE

Asegúrese de que la persona que va a usar esta herramienta lea cuidadosamente y comprenda estas instrucciones antes de empezar a operarla.

La placa de números de modelo y de serie, está situada en el bastidor. Anote estos números en las líneas de abajo y guárdelos para su referencia en el futuro.

Número de modelo _____

Típo _____

Número de serie _____

INFORMACIÓN GENERAL Y DE SERVICIO

- ¡Sírvese leer y seguir esas instrucciones para el mantenimiento y uso adecuado.
- Si experimentara cualquier problema y necesitase asistencia, sírvase llamarnos a nuestro número telefónico gratuito **1-888-559-8550, de lunes a sábados entre las 8 y las 18 hs., hora central estándar (C.S.T.)**
- En caso de requerir el servicio de compra de piezas, nuestros Servicentros autorizados se encuentran cómodamente ubicados y equipados para ocuparse de todos los aspectos del servicio correspondientes a la cobertura de su garantía, o para prestarle servicio si estuviese fuera de ella.
- Para informarse de la ubicación del Servicentro autorizado más cercano para la atención de garantías, sírvase llamar al: 1-888-559-8550, Ext.2 durante las 24 hs del día, 7 días a la semana.
- Retenga el recibo de venta como prueba de compra para el servicio de garantía.
- Lea y comprenda todas las advertencias de seguridad.
- No opere esta unidad hasta haber leído y comprendido el Manual del propietario para informarse de las instrucciones de seguridad, operación y mantenimiento.
- No opere esta unidad hasta haber leído y comprendido las instrucciones de seguridad, operación y mantenimiento del manual del propietario del motor.

Nota: Las fotografías y dibujos utilizados en este manual son solamente para referencia y no representan ningún modelo en particular.

INFORMACIÓN DE SEGURIDAD PARA EL CONSUMIDOR

▲ ADVERTENCIA Lea el Manual del operador . Para su seguridad, armado, operación, e instrucciones de mantenimiento, no operar el equipo hasta haber leído el Manual del operador.

▲ ADVERTENCIA Este producto podría no estar equipado con silenciador apagachispas. Si el producto no estuviese equipado con ello, y fuera instalado en las cercanías de materiales inflamables, o sobre una superficie cubierta con materiales tales como restos agrícolas, restos derivados de la forestación, maleza, u otros ítems similares, en dichas circunstancias deberá instalarse un silenciador apagachispas, el cual es legalmente requerido por el Estado de California. Resulta una violación a los estatutos de California, sección 130050 y / o secciones 4442 y 4443 del Código de recursos Públicos de California, a menos que el motor se encuentre equipado con un apagachispas, tal como se lo define en la sección 4442, y mantenido en perfecto estado de funcionamiento. Los apagachispas también son requeridos por el Servicio Forestal de EE.UU., y podrían ser requeridos legalmente bajo otros estatutos y ordenanzas.

▲ ADVERTENCIA El escape del motor contiene productos químicos conocidos, que - en ciertas cantidades - pueden ser causales de cáncer, defectos de nacimiento u otros daños de gestación.

PAUTAS DE SEGURIDAD/DEFINICIONES

Este manual contiene información que es importante para que usted sepa y comprenda. Esta información se relaciona con la protección de SU SEGURIDAD y la PREVENCIÓN DE PROBLEMAS AL EQUIPO. Para ayudarle a identificar esta información, utilizamos los símbolos indicados mas abajo. Sírvese leer el manual y prestar atención a los mismos

⚠ PELIGRO Indica una situación de inminente riesgo, la cual, si no es evitada, **causará la muerte o lesiones serias.**

⚠ ADVERTENCIA Indica una situación potencialmente riesgosa, que si no es evitada, **podría** resultar en la **muerte o lesiones serias.**

⚠ PRECAUCIÓN Indica una situación potencialmente peligrosa, la cual, si no es evitada, **podría** resultar en **lesiones menores o moderadas.**

PRECAUCIÓN Usado sin el símbolo de seguridad de alerta indica una situación potencialmente riesgosa la que, si no es evitada, **podría** causar **daños en la propiedad.**

INSTRUCCIONES IMPORTANTES DE SEGURIDAD

⚠ ADVERTENCIA La operación o el mantenimiento inadecuados de este producto podría causar serias lesiones y daños a la propiedad. **Lea y comprenda todas las advertencias e instrucciones operativas antes de su uso.**

⚠ PELIGRO **RIESGO DE INCENDIO Y ELECTROCUCIÓN**



RIESGO	¿QUÉ PUEDE OCURRIR?	¿CÓMO PREVENIRLO?
Intentar conectar el generador directamente al sistema eléctrico de una edificación.	La alimentación de electricidad por el sistema eléctrico instalado en la edificación desde el punto de entrada del suministro eléctrico externo podría poner en peligro al personal de la compañía de servicios eléctricos que esté tratando de restaurar el servicio.	Nunca retroalimentar electricidad a las líneas externas de suministro a través del sistema eléctrico.
	<p>Intentar conectar el generador directamente a la entrada de la corriente eléctrica proveniente del servicio público podría resultar en electrocución.</p> <p>De no haber un interruptor aislante instalado, el restablecimiento del servicio eléctrico mientras que el generador esté conectado al servicio público puede resultar en incendio o serios daños.</p> <p>El incumplimiento en usar el interruptor de doble transferencia, al efectuar conexiones a sistemas de estructuras eléctricas, puede dañar los artefactos y CANCELARA la garantía de los fabricantes.</p>	Para conectar el generador al sistema eléctrico de una edificación en forma segura, un electricista calificado debe de instalar un interruptor de transferencia de doble hoja y cumplir con todas las ordenanzas locales. (Cuando se instale un interruptor de transferencia de doble hoja, es necesario usar un alambre de calibre 10 como mínimo.)

▲ PELIGRO**RIESGO DE INCENDIO Y ELECTROCUCIÓN
(continuación)**

RIESGO	¿QUÉ PUEDE OCURRIR?	¿CÓMO PREVENIRLO?
Operación del generador bajo lluvia, condiciones de inundación, hielo o estando mojado.	¡El agua es un excelente conductor de la electricidad! El agua que entra en contacto con componentes cargados eléctricamente, puede transmitir electricidad al armazón y otras superficies, resultando en la electrocución de cualquier persona que esté en contacto con ellos.	Operar el generador en un área limpia y bien ventilada. Asegurarse de tener las manos secas antes de tocar la unidad.
Uso de cordones de extensión dañados, gastados, subdimensionados o sin conexión a tierra.	El contacto con cordones de extensión gastados o dañados puede resultar en electrocución.	Inspeccionar los cordones de extensión antes de usarlos y reemplazarlos por nuevos si fuese necesario.
	El uso de cordones de extensión subdimensionados puede resultar en el sobrecalentamiento de los cables o dispositivos conectados al generador, causando un incendio.	Usar cables del diámetro (calibre) apropiado para la aplicación. Ver la tabla de aplicaciones en la sección Ensamblaje de este manual.
	El uso de cordones sin conexión a tierra puede impedir la operación de los interruptores de circuito y resultar en choque eléctrico.	Use siempre un juego de cables con conexión a tierra. NO LO UTILICE con un enchufe sin conexión a tierra.
Colocando el generador sobre o contra superficies altamente conductivas, tales como pasillos o techos de metal.	La fuga accidental de corriente eléctrica puede cargar superficies conductoras que estén en contacto con el generador.	Colocar el generador en una superficie de poca conductividad, tal como una placa de concreto. Opere SIEMPRE el generador a una distancia mínima de 1,80 m de cualquier superficie conductiva.
Conexión inapropiada de dispositivos al generador.	Exceder la capacidad de carga del generador, conectándole demasiados artefactos o artefactos que requieren demasiada potencia; pueden causar el sobrecalentamiento de ciertos dispositivos o de su cableado, causando un incendio o choque eléctrico.	Leer la tabla de cargas eléctricas e instrucciones en la sección Cálculo de Watts. Asegurarse que la suma de las cargas eléctricas de todos los artefactos conectados, no exceda la potencia del generador.
Operación de la unidad cuando está dañada o sin los paneles de protección.	Intentar usar la unidad cuando está dañada o cuando no esté funcionando normalmente, puede causar un incendio o electrocución.	No operar el generador si tuviese algún problema eléctrico o mecánico. Hacer reparar la unidad en un Centro de Servicio Autorizado.
	Retirar los paneles protectores puede exponer componentes eléctricos y resultar en electrocución.	No operar la unidad sin los paneles de protección en su lugar.

▲ PELIGRO**RIESGO DE INCENDIO**

RIESGO	¿QUÉ PUEDE OCURRIR?	¿CÓMO PREVENIRLO?
Intentar llenar el tanque de combustible mientras el motor está en funcionamiento.	La gasolina y los vapores de gasolina pueden encenderse si entran en contacto con componentes calientes tales como el tubo de escape, gases calientes salidos de la máquina o chispas eléctricas.	Apagar el motor y permitir que se enfríe antes de agregar combustible al tanque. Equipar el área de operación con un extinguidor de fuegos certificado para controlar incendios de gasolina o combustibles.
Chispas, fuego, objetos calientes	Los cigarrillos, chispas, fuego u otros objetos calientes pueden hacer que la gasolina o los vapores de la gasolina se enciendan.	Agregar gasolina al tanque en áreas bien ventiladas. Asegurarse que no haya fuentes de encendido cerca del generador.
Almacenaje inapropiado del combustible.	El combustible mal almacenado puede conducir a incendios accidentales. El combustible inadecuadamente almacenado puede llegar a las manos de los niños o de otras personas no calificadas.	Almacenar la gasolina en un envase designado para contener gasolina. Almacenar el envase en lugar seguro para evitar que otras personas lo usen.
Ventilación inadecuada del generador.	Los materiales colocados contra el generador o cerca de éste pueden interferir con sus dispositivos de ventilación causando sobrecalentamiento y posible encendido de esos materiales. El regenerador puede sobrecalentarse si es que se opera en áreas donde la temperatura ambiental exceda 40°C (104°F).	Operar el generador en un área limpia, seca, bien ventilada y colocarlo a una distancia mínima 1,22m (4') respecto a cualquier objeto o pared. NO OPERAR LA UNIDAD EN ESPACIOS CERRADOS O EN ÁREAS CONFINADAS.
Alterar las velocidades del motor prefijadas en fábrica.	La velocidad del motor ha sido fijada en fábrica para proveer una operación segura. Alterar la regulación de la velocidad del motor puede sobrecalentar los artefactos conectados y puede causar un incendio.	Nunca intentar "acelerar" el motor para obtener mayor rendimiento. Tanto el voltaje de salida como la frecuencia podrían alterarse, poniendo en peligro al usuario y a los artefactos conectados.
Sobrellenando el tanque - derrame del combustible.	El combustible derramado y sus vapores pueden encenderse por contacto con superficies calientes o chispas.	Tenga cuidado al llenar el tanque, evitando derramar combustible. Asegúrese de colocar la tapa, asegurarla y verificar el motor por eventuales pérdidas de combustible antes de arrancar el motor. Traslade el generador fuera del área de reaprovisionamiento de combustible o de cualquier derramamiento antes de arrancar el motor. Permita la expansión del combustible. Mantenga un máximo nivel de combustible 12,7mm (1/2") por debajo del borde del tanque de combustible. Jamás reaprovicione combustible con el motor en marcha.

▲ PELIGRO**RIESGO DE LESIONES PERSONALES Y DAÑOS A LA PROPIEDAD AL TRANSPORTAR EL GENERADOR**

RIESGO	¿QUÉ PUEDE OCURRIR?	¿CÓMO PREVENIRLO?
Incendio, Inhalación, daños a las superficies del vehículo	Las fugas o derrames de los envases de combustible o aceite pueden generar riesgos de incendio o a la respiración, lesiones personales serias o muerte. Las fugas o derrames de combustible o aceite dañarán la alfombra, la pintura y otras superficies de los vehículos o remolques.	Si la unidad está equipada con una válvula de cierre de combustible, mover la válvula a la posición de "OFF" (Cerrado) cuando se transporte para evitar fugas de combustible. Si el generador no estuviese equipado con una válvula de cierre de combustible, drenar el combustible del tanque antes de transportar la unidad. Transportar combustible únicamente en envases aprobados por OSHA. Al transportar el generador, siempre colocar una alfombrilla protectora para evitar daños al vehículo por las fugas. Retirar el generador del vehículo inmediatamente después de arribar al lugar de destino.

▲ PELIGRO**RIESGO DE INHALACIÓN PELIGRO PARA LA RESPIRACIÓN**

RIESGO	¿QUÉ PUEDE OCURRIR?	¿CÓMO PREVENIRLO?
Los motores a gasolina producen gases tóxicos de escape de monóxido de carbono.	Respirar los gases del escape puede causar daños serios o muerte.	Operar el generador en un área limpia, seca y bien ventilada. Evitar las áreas cerradas como los garajes, sótanos, bodegas, etc. que puedan carecer de renovación de aire. Nunca operar la unidad en lugares ocupados por seres humanos ni animales. Mantener a las mascotas y niños alejados del área de operación.

▲ ADVERTENCIA**RIESGO DE OPERACIÓN INSEGURA**

RIESGO	¿QUÉ PUEDE OCURRIR?	¿CÓMO PREVENIRLO?
Operación descuidada del generador.	Todas las fuentes de energía conllevan un potencial de riesgo. La operación del generador sin las debidas precauciones de seguridad puede causar lesiones o muerte al operador o a otras personas.	<ul style="list-style-type: none"> Revisar y entender todas las instrucciones de operación y advertencias de este manual. Familiarizarse con la operación, y los controles del generador. Aprender a apagarlo rápidamente. Equipar el área de operación con un extinguidor de fuegos certificado para apagar incendios de gasolina o combustibles. Mantener a los niños alejados del generador en todo momento.

⚠ ADVERTENCIA**RIESGO DE OPERACIÓN INSEGURA
(continuación)**

RIESGO	¿QUÉ PUEDE OCURRIR?	¿CÓMO PREVENIRLO?
Operación de equipos sensibles a las fluctuaciones de voltaje sin usar un protector contra sobretensiones.	Cualquier generador doméstico a gasolina incurrirá en fluctuaciones de voltaje que pueden dañar artefactos sensibles a las fluctuaciones de voltaje o causar un incendio.	Siempre usar un protector contra sobretensiones adecuado para conectar artefactos sensibles a las sobretensiones (Televisores, computadoras, equipos de sonido, etc.) No usar un protector contra sobretensiones adecuado, invalidará la garantía del generador. NOTA: Una barra de tomacorrientes múltiples no es un protector contra sobretensiones, asegurarse de usar un protector contra fluctuaciones de voltaje aprobado.
Levantando o suspendiendo en forma inadecuada los equipos generadores con anillas de elevación.	El generador puede caer causándole serias lesiones o la muerte de otros.	Al conectar cables, cadenas o cintas para elevación o la suspensión de generadores equipados con anillas para levantarlos, utilice siempre los procedimientos de conexión adecuados, tales como los descritos en este manual
	La elevación o su suspensión inadecuados pueden causarle daño al generador.	Para levantar o suspender el generador utilice siempre cables, cadenas, o cintas estipuladas para una carga de 907 kg (2000 lbs) o mayor.
Generador en funcionamiento mientras se encuentra suspendido.	El generador no operará en forma adecuada; además sufrirá daños, y puede causarle serias lesiones o la muerte a usted u otras personas.	Jamás opere el generador mientras está suspendido o en una posición desnivelada. Opere siempre el generador sobre una superficie plana y nivelada.

⚠ ADVERTENCIA**RIESGO DE SUPERFICIES CALIENTES**

RIESGO	¿QUÉ PUEDE OCURRIR?	¿CÓMO PREVENIRLO?
Contacto con componentes calientes del motor y generador.	El contacto con superficies calientes, tal como los componentes del tubo de escape, puede causar quemaduras serias.	Durante la operación del generador sólo tocar las superficies de control. Mantener a los niños alejados del generador en todo momento. Ellos pueden no conocer los riesgos de esta máquina.

⚠ ADVERTENCIA**RIESGO DE PIEZAS MOVIBLES**

RIESGO	¿QUÉ PUEDE OCURRIR?	¿CÓMO PREVENIRLO?
El contacto con piezas móviles puede resultar en lesiones serias.	El generador tiene piezas que giran a alta velocidad durante su operación. Estas piezas están cubiertas por paneles protectores para evitar lesiones.	Nunca operar el generador sin sus paneles protectores. Evitar usar ropa suelta o joyas que pueda atraparse en las piezas móviles.

⚠ ADVERTENCIA**RIESGO AL LEVANTAR**

RIESGO	¿QUÉ PUEDE OCURRIR?	¿CÓMO PREVENIRLO?
Levantando un objeto muy pesado.	El intentar levantar un objeto muy pesado puede causar lesiones serias.	El generador es muy pesado para ser levantado por una sola persona, conseguir ayuda de otros antes de intentar moverlo por uno mismo.

TABLA DE ESPECIFICACIONES

MODELO	PGN350
HORSE POWER	6,5 KW
CONSTANTE/SOBRETENSIÓN	3.500/7.250W
VOLTAJE	120 V
AMPERAJE	29,2 A
FASE	MONOFASICO
FREQUENCY	60 Hz
VELOCIDAD DEL MOTOR	3.600 RPM min ¹
MÁX. TEMP. AMBIENTAL	40° C
CAPACIDAD DE COMBUSTIBLE	4,0 (3,8 litros)
OPERACIÓN AL 50%/100%	2,3/1,5 HORAS

INSTALACIÓN

⚠ PRECAUCIÓN

Leer este manual. No intentar operar el equipo hasta haber leído las instrucciones de seguridad, operación y mantenimiento de este manual.

NOTA: Éste es un manual general. La información contenida aquí podría no corresponder al modelo que usted ha comprado. Leer el manual cuidadosamente.

NOTA: Izquierda y derecha describen la ubicación de una parte a la que el operador debe acceder desde el panel de salida.

SACAR EL GENERADOR DE LA CAJA

- Abrir la caja por el lado de arriba.
- Sacar todos los insertos de cartón.
- Extraiga las piezas y manuales del juego y consérvelos para su ensamblado.
- Cortar las cuatro esquinas de la caja y echar los paneles en el piso.
- Sacar el generador de la caja.
- Desechar todo el embalaje.

OTRAS PARTES SUELTAS

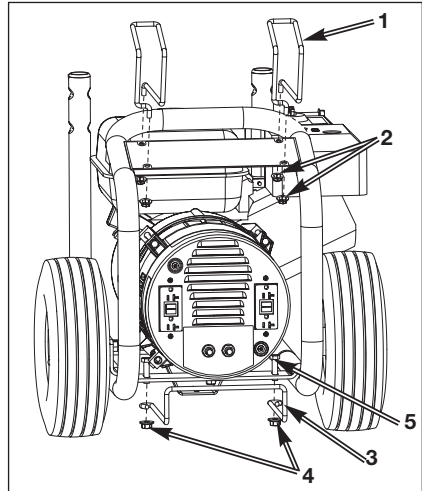
1. El aceite viene provisto, lea el manual de operaciones del motor para saber acerca del procedimiento correcto de agregar aceite y combustible al motor.

Importante: Cerciorarse de revisar el aceite del motor antes de intentar arrancar el generador (ver el manual de Operación del Motor).

2. El juego de piezas contiene: barra de protección (1 uso), cable envolvente de extensión eléctrica (uso 2), rebote de goma (uso 1), tornillo 5/16-18 x 1-1/4" (uso 2), tornillos 1/4-20x3/4" (uso 1), tuercas keps 1/4-20" con arandela (uso 1), tuerca con pestaña 5/16-18" (uso 2), tuerca autorroscante con pestaña (uso 4).

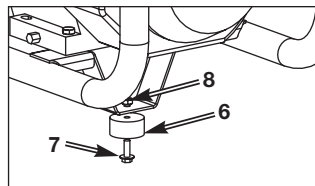
COLGADOR PARA CORDÓN DE EXTENSIÓN Y BARRA PROTECTORA

1. Los extremos envolventes del cable de extensión no están pre-roscados. Para facilitar el ensamblado, utilice zócalos 7/16" y trinquete a fin de roscar las tuercas autorroscantes sobre los extremos del cable de extensión, formando arrollamientos de 1/4" aproximadamente. Extraiga las tuercas autorroscantes y prosiga con el paso 2.
2. Instale cada brazo colgador (1) para el cordón de extensión en el ensamblaje del panel con las tuercas bridadas autoenroscantes (2) como se muestra. Ajústelas firmemente.
3. Instalar la barra protectora (3) al bastidor con tornillos de 5/16-18 x 1-1/4" (5) y tuercas bridadas de 5/16-18 (4). Ajústelas firmemente.



TOPE DE CAUCHO

1. Instale el tope de caucho (6) en el soporte que sirve de pata usando un tornillo de 1/4-20 x 3/4" (7) y una tuerca de 1/4-20 con arandela (8).



HANDLE

NOTA: Lubrique la zona donde rotan las manijas en los soportes, utilizando aceite liviano.

⚠ ADVERTENCIA Riesgo de piezas móviles. Mantenga sus dedos alejados de todas las partes en movimiento. El contacto con piezas móviles puede resultar en lesiones serias. Mantener a los niños alejados del generador en todo momento. Ellos pueden no conocer los riesgos de esta máquina.

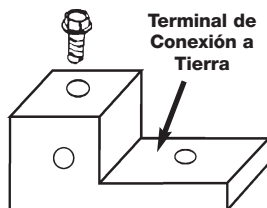


2. Levante la manija y deje que los botones de fijación se fijen en la posición establecida.

CONEXIÓN A TIERRA DEL GENERADOR

Junto al generador se suministra una conexión de lengüeta para ser usada cuando se requiere cumplir con las regulaciones eléctricas locales. Refiérase al artículo 250 del Código eléctrico nacional si fuera preciso aclarar alguna información acerca de la conexión a tierra. Su compañía local de electricidad o un electricista certificado podrán ayudarlo en la búsqueda de esta información.

NOTA: Su motor ya viene conectado a la masa del bastidor por una malla de conexión.



ABASTECIÉNDOSE DE ELECTRICIDAD DEL GENERADOR

Básicamente existen dos formas de obtener electricidad de un generador:

1. Usar un cordón de extensión directo del generador al artefacto, luz, herramienta, etc.
2. Usar un interruptor de transferencia de doble hoja instalado directamente en el suministro eléctrico principal a la casa.

CABLES DE EXTENSIÓN ELÉCTRICA

Al ser utilizados en un artefacto o herramienta a una distancia considerable del generador, DEBE usarse un conductor eléctrico de tres (3) cables que tenga 3 láminas de conexión (una a tierra), y un receptáculo de tres (3) ranuras para la misma que acepte el enchufe de conexión de la herramienta, a fin de reducir el riesgo potencial de una descarga eléctrica. Debe usarse un conductor eléctrico de dimensiones apropiadas. Utilice el siguiente gráfico para determinar la dimensión mínima del conductor necesario.

Tabla de Calibres de los Cables para el Cordón de Extensión		
Largo del Cordón	Calibre del Alambre	Amperaje
0 a 33 metros	calibre 12	*Hasta 20 A de carga
0 a 33 metros	calibre 10	Hasta 30 A de carg

***NOTA:** No se debe usar un cordón de extensión calibre 12 para largas distancias cuando la corriente excede los 20 A.

⚠ PRECAUCIÓN

Un cordón de extensión caliente al tacto está sobrecargado. Reparar o reemplazar de inmediato los cordones de extensión dañados.

INTERRUPTOR DE TRANSFERENCIA DE DOBLE HOJA

⚠ ADVERTENCIA

Existe un peligro potencial cuando se conecta un generador eléctrico portátil directamente al suministro principal de electricidad que entra a la casa. El generador puede retroalimentar corriente al suministro público y electrocutar al personal de mantenimiento que esté tratando de restablecer el suministro eléctrico.

Para evitar la retroalimentación de corriente al sistema de suministro público, se debe instalar un interruptor de transferencia de doble hoja entre el generador y el sistema de suministro público. El interruptor de transferencia de doble hoja debe instalarlo un electricista autorizado y de acuerdo con todos los códigos eléctricos locales y estatales. **(Cuando se instala un interruptor de transferencia de doble hoja es necesario usar un alambre calibre 10 como mínimo.)**

El electricista también podría instalar un subpanel para aislar los circuitos que se deseen usar en caso de emergencia o falta de suministro eléctrico. El generador podría no ser lo suficientemente grande como para suministrar la energía necesaria para todas las luces, artefactos, televisores, etc. a la vez. Para determinar la carga de cada artefacto a usar, referirse a la sección **Cálculo de Potencia** en este manual.

INSTRUCCIONES PARA OPERAR

FAMILIARIZARSE CON EL GENERADOR

Leer este manual general y las normas de seguridad antes de operar el generador. Para familiarizarse con la ubicación de los diversos controles y regulaciones o ajustes, comparar las piezas del generador con la ilustración de las piezas en este manual. Conservar todos los manuales para referencia futura.

CAPACIDAD DEL GENERADOR

IMPORTANTE: Exceder la capacidad especificada del generador puede dañarlo seriamente así como también a los artefactos enchufados a éste. Leer la sección Cálculo de Potencia en este manual para ayudarle a determinar que artefactos y herramientas pueden contactarse de acuerdo a la capacidad de su generador.

INTERRUPTORES DE CIRCUITO

Cada tomacorriente tiene un interruptor de circuito para proteger al generador contra una sobrecarga. Si el interruptor de circuito salta, desenchufar los aparatos conectados a los tomacorrientes. Esperar a que el interruptor de circuito se enfríe y luego presionar el botón para que se reposicione.

DISPOSITIVO DE APAGADO POR POCO ACEITE

Algunos generadores están equipados con un dispositivo que lo apaga en caso que el nivel del aceite esté bajo. Está es un dispositivo de seguridad diseñado para proteger el motor contra daños en caso que el cigüeñal tenga poco aceite.

Si el nivel de aceite baja mientras el motor esté funcionando, este dispositivo apaga el motor y no permite volverlo a arrancar hasta que se le agregue aceite.

NOTA: El dispositivo para apagado del motor por poco aceite es muy sensible. Para desactivarlo, se debe llenar el motor con aceite hasta la marca "FULL" (Lleno) en la varilla medidora.

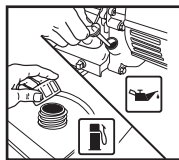
ANTES DE ARRANCAR

⚠ PRECAUCIÓN Este generador ha sido despachado de fábrica sin aceite en el cárter. El motor podría arruinarse si la unidad se opera sin aceite.

⚠ PRECAUCIÓN Siempre verificar el nivel del aceite en el motor antes de arrancarlo. El motor podría sufrir serios daños si es que funciona con poco aceite.

Seguir las instrucciones indicadas a continuación antes de arrancar el generador:

1. Verificar el nivel de aceite del motor. Referirse al Manual del operador del Motor para determinar la cantidad y grado apropiado de aceite.
2. Verificar el nivel de combustible, rellenar cuando se requiera. Asegurarse que el generador esté apagado y haya tenido tiempo de enfriarse. Usar gasolina regular de mínimo 87 octanos sin plomo que esté limpia y fresca. No mezclar la gasolina con aceite.



⚠ PRECAUCIÓN Nunca llenar el tanque de combustible completamente. Sólo llenar el tanque hasta 13mm (1/2") por debajo de la parte inferior del cuello de la toma para permitir la expansión del combustible. Limpiar cualquier derrame de combustible del motor o del equipo antes de arrancar el motor.

⚠ ADVERTENCIA Nunca llenar el tanque con combustible en ambientes interiores. Nunca llenar el tanque con combustible cuando el motor esté funcionando o esté caliente. No fumar cuando se llene el tanque

⚠ PRECAUCIÓN Nunca hacer funcionar el motor en interiores, en áreas cerradas o con poca ventilación porque el escape del motor contiene monóxido de carbono que es un gas inodoro mortal.

3. Asegurarse que el generador esté conectado a tierra de acuerdo a las ordenanzas locales.
4. **Deben** desconectarse todas las cargas eléctricas.

⚠ PRECAUCIÓN La velocidad del motor ha sido fijada en fábrica para proveer una operación segura. Alterar la regulación de la velocidad

del motor puede sobrecalentar los artefactos conectados y puede causar un incendio. Nunca intentar “acelerar” el motor para obtener mayor rendimiento. Tanto el voltaje de salida como la frecuencia podrían alterarse, poniendo en peligro al usuario y a los artefactos conectados.

⚠ PRECAUCIÓN Para evitar que los artefactos conectados al generador se dañen al arrancar el generador, siempre **DESENCHUFARLOS** antes de arrancar el generador.

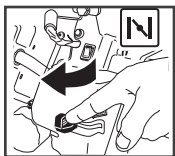
ARRANQUE MANUAL DEL MOTOR

⚠ PRECAUCIÓN Nunca operar el generador en interiores - los gases del escape contienen monóxido de carbono, un gas inodoro y mortal.

1. Abra la válvula de cierre de combustible en el motor.

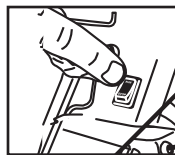


2. Mover el control de estrangulamiento (choke) ubicado en el motor a la posición de “CHOKE”. **NOTA:** Cuando el motor esté tibio no se necesita activar el choke.

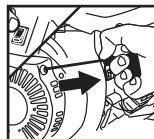


Cerciorarse que la palanquita del “CHOKE” esté en la posición de “RUN” (Operación).

3. Si tuviese un interruptor “On/Off” (Prendido/Apagado) moverlo a la posición de “ON” (Prendido).



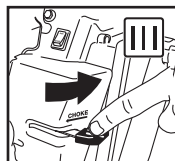
4. Agarrar el mango de la cuerda del arrancador y tirar despacio hasta sentir una resistencia. Soltar la cuerda para que regrese y se enrolle bien en el arrancador. Luego tirar rápido de la cuerda todo el largo se su brazo permita y después dejar que la cuerda regrese lentamente dentro del arrancador. Repetir si es necesario.



NOTA: SI EL NIVEL DE ACEITE DEL MOTOR ESTÁ MUY BAJO, EL MOTOR NO ARRANCARÁ. VERIFICAR EL NIVEL DE ACEITE Y AGREGAR SI FUESE NECESARIO.

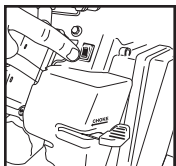
5. Después que el motor arranque, abrir gradualmente el acelerador de arranque (Choke).

IMPORTANTE: Dejar que el generador funcione por unos 5 minutos sin carga cada vez que se arranque para que el motor y el generador se establezcan.



PARANDO EL MOTOR

1. Desconectar todas las cargas eléctricas.
2. Si tuviese un interruptor "On/Off" (Prendido/Apagado) moverlo a la posición de "OFF" (Apagado).



3. Cerrar la válvula de corte de combustible.



CONEXIÓN DE ARTEFACTOS ELÉCTRICOS

1. Después que el motor arranque, permitir que funcione sin carga unos cinco minutos para que caliente.

Conectar las cargas de la siguiente manera para evitarle daños al equipo:

2. Primero conectar los artefactos con carga inductiva, tales como refrigeradores, congeladores, bombas de agua, acondicionadores de aire y herramientas eléctricas pequeñas de mano. Primero conectar los artefactos que requieran mayor wataje. Ver la sección Cálculo de Wataje en este manual.
3. Luego conectar los artefactos de iluminación.
4. Los artefactos sensibles a las variaciones de voltaje tales como televisores, grabadoras de vídeo, hornos de microondas, computadoras y teléfonos inalámbricos deben ser los últimos en conectarse. Estos artefactos no deben conectarse directamente al generador, sino que deben enchufarse a un protector de fluctuación de voltaje aprobado por UL. Los protectores de fluctuaciones de voltaje son los que deben conectarse al generador.

⚠ PRECAUCIÓN Si los equipos no se conectan en esta secuencia o no se operan de esta forma, pueden dañarse y se invalidará la garantía del generador.

Seguir las instrucciones de la cartilla en la sección Cálculo de Wataje de este manual. Si se sobrecarga el generador, se producirán fluctuaciones de voltaje que dañarán el generador y los artefactos conectados a éste.

Porter-Cable sólo se responsabilizará por daños a los equipos del cliente si se determina que el generador está defectuoso. Esta determinación será tomada únicamente por un representante autorizado de Porter-Cable, y su decisión será final. Porter-Cable se reserva el derecho de inspeccionar las conexiones eléctricas en el lugar donde el cliente ha operado el generador y a probar el generador para constatar su operación adecuada antes de determinar que existe alguna responsabilidad. Si el cliente no mantiene el equipo y el cableado disponible para ser inspeccionado, los reclamos por daños serán inválidos. Porter-Cable no se responsabilizará por daños que se produzcan a los equipos por variaciones de voltaje, instalación u operación inapropiada del generador.

PROGRAMA DE MANTENIMIENTO

CARTILLA DE RESPONSABILIDADES DEL CLIENTE

TAREA DE MANTENIMIENTO	Antes de cada uso	Cada 25 horas de uso	Cada 50 horas de uso	Cada 100 horas de uso
Verificar el Nivel de Aceite	X	Ver Nota 2		
Cambiar el Aceite			Ver Nota 1	
Limpiar el Filtro de Aire		X		
Revisar la Bujía		X		X
Preparación de la unidad para el almacenaje	Preparación de la unidad para el almacenaje si no se va a usar por más de 30 días			

Nota 1: Cambiar el aceite después de las primeras 2 horas y después cada 50 horas de operación, o más frecuentemente si funciona en condiciones extremadamente polvorientas o sucias.

Nota 2: Revisar el aceite después de cada 5 horas de operación

RECOMENDACIONES GENERALES

La garantía del generador no cubre piezas que han sido sometidas a maltrato o negligencia del operador. Para beneficiarse totalmente de la garantía, el operador debe darle mantenimiento al generador siguiendo las instrucciones de este manual.

MANTENIMIENTO DEL MOTOR

Referirse al manual del operador del motor para el servicio y el mantenimiento del motor.

MANTENIMIENTO DEL GENERADOR

El generador debe mantenerse limpio y seco en todo momento, y no debe almacenarse ni operarse en ambientes que tengan demasiada humedad, polvo o vapores corrosivos. Si estas sustancias cayeran sobre el generador, limpiarlas con un paño o cepillo de cerdas blandas. No usar una manguera de jardín ni agua presurizada para limpiar el generador. El agua puede entrar por las ranuras de aire para el enfriamiento y posiblemente dañe el rotor, el estator y el bobinado del cabezal del generador.

ALMACENAJE

Si se va a almacenar el generador por más de 30 días, usar la siguiente información como guía para prepararlo.

PRECAUCIÓN

Nunca almacenar el generador con combustible en el tanque en interiores, en áreas cerradas, con poca ventilación o donde los vapores del combustible puedan hacer contacto con llamas abiertas, chispas, llamas piloto en estufas, calderos de agua, secadores de ropa u otros artefactos a gas.

PREPARACIÓN DEL MOTOR

1. Agregar un estabilizador de combustible al tanque para minimizar la formación de depósitos pegajosos durante el almacenaje.
2. Hacer funcionar el motor por lo menos durante 5 minutos después de agregar el estabilizador de combustible para que entre a todo el sistema.
3. Luego apagar el motor.
4. Desconecte los cables de la bujía y extraiga la misma.
5. Echar una cucharadita de aceite en el orificio para la bujía.
6. Colocar un trapo sobre el orificio de la bujía y tirar de la cuerda del arrancador unas cuantas veces para lubricar la cámara de combustión.
7. Reponga las bujías y reconecte los cables de las mismas.

NOTA: Si no se usa estabilizador de combustible, se debe drenar todo el combustible del tanque y del carburador para evitar la formación de depósitos pegajosos en estas partes que puedan causar un mal funcionamiento del motor.

GENERADOR

1. Limpiar el generador como se indicó en la sección **Mantenimiento** de este manual.
2. Revisar que las ranuras para aire de enfriamiento y las aberturas del generador estén abiertas y sin obstrucciones.

INSTRUCCIONES PARA CALCULAR LA DEMANDA DE POTENCIA

IMPORTANTE

Nunca exceder la capacidad de potencia del generador. La sobrecarga puede ocasionarle serios daños al generador o a los artefactos que se le conecten.

1. Siempre se debe calcular la demanda de potencia de arranque y de funcionamiento de los artefactos para que no excedan la capacidad del generador.
2. Existen dos tipos de artefactos eléctricos que pueden operarse con este compresor.
 - A. Artefactos tales como radios, focos de luz, televisores y hornos de microondas, que tienen una carga resistiva. La demanda de potencia al arrancar y al funcionar es la misma.
 - B. Artefactos tales como refrigeradores, compresores de aire, lavadoras, secadoras y herramientas de mano con motor eléctrico; que tienen una carga inductiva. **Para arrancar** herramientas y artefactos con carga inductiva, se requiere aproximadamente 2 a 4 veces su potencia de funcionamiento. Esta carga inicial sólo dura unos pocos segundos al arrancar, pero es muy importante para calcular la potencia total exigida al generador.
 - C. Siempre arrancar el motor eléctrico más grande primero y luego conectar los demás artefactos, uno a la vez.

NOTA: En 120 volts, la carga de vatios al momento de arrancar NO debe exceder la mitad de la capacidad especificada del generador. Por ejemplo: en un generador con capacidad de 5.000 W, la carga al momento de arrancar no debe exceder 2.500 W.

DETERMINANDO LOS REQUERIMIENTOS DE POTENCIA

Antes de operar este generador, hacer una lista de todos los artefactos y/o herramientas que van a operar a la vez. Luego determinar los requerimientos de potencia para el funcionamiento de la siguiente manera y/o para calcular la demanda de potencia.

1. Primero totalizar la potencia de funcionamiento de todos los artefactos y/o herramientas que operarán al mismo tiempo.

	<u>Vatios de Funcionamiento</u>	<u>Vatios de Arranque</u>
Ejemplo 1:		
Luces =	100 W	0
Televisor =	300 W	0
Hornilla Eléctrica =	<u>250 W</u>	<u>0</u>
TOTAL =	650 W	0

2. Luego totalizar la potencia de arranque de cualquier artefacto y/o herramienta que vaya a arrancar y parar durante la operación.

	<u>Vatios de Funcionamiento</u>	<u>Vatios de Arranque</u>
Ejemplo 2:		
Refrigerador Pequeño	<u>500 W</u>	<u>2.000 W</u>
TOTAL =	500 W	2.000 W

3. La potencia de funcionamiento de los ejemplos 1 y 2 suman 1.150 watts. El voltaje de arranque de un refrigerador pequeño es 2000 W que son 1.500 W más que la potencia de funcionamiento. Restar esta diferencia de 1.500 W de arranque de la potencia del refrigerador y sumar a los 1.150 W de funcionamiento.

Ejemplo 3:	1.500 W de Arranque
	<u>1.150 W de Funcionamiento</u>
TOTAL =	2.650 W

El generador debe tener una capacidad mínima de 2.650 W.

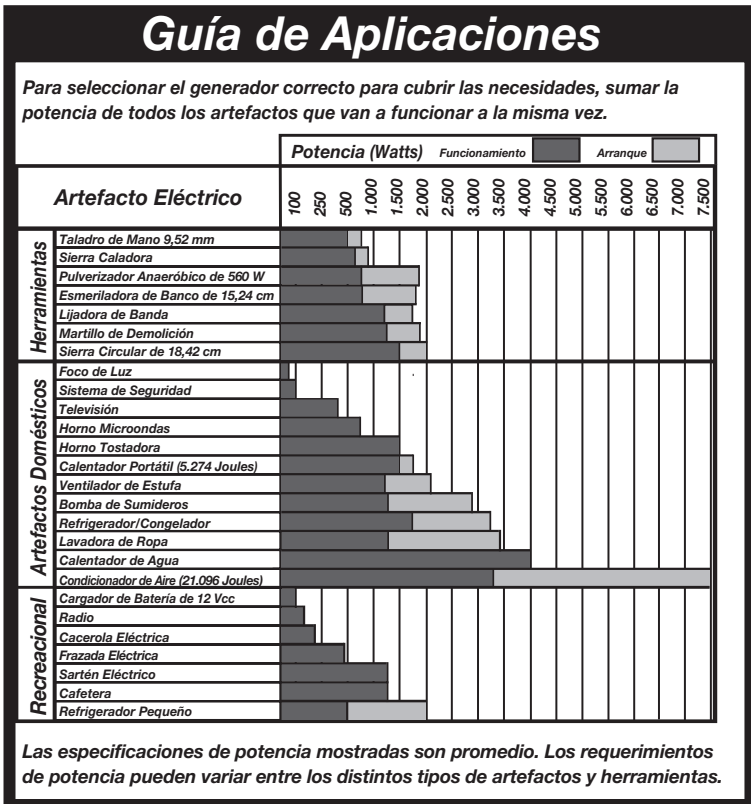
POTENCIA REQUERIDA PARA EL ARRANQUE

- Algunos artefactos y herramientas tendrán los requerimientos de voltajes y amperajes de arranque y funcionamiento en la placa del nombre del motor. Usar la siguiente formula para convertir voltaje y amperaje a potencia (Watts):

$$\text{Volts X Ampers} = \text{Vatios}$$

$$120 \text{ volts} \times 10 \text{ ampers} = 1\,200 \text{ W}$$

- Para determinar la demanda aproximada de potencia de arranque para herramientas y artefactos con motor tipo inductivo, multiplicar los vatios calculados por un factor de entre 2 a 4 para asegurarse de la capacidad adecuada del generador. De no estar disponible la información en la placa del nombre, usar como guía los valores indicados en la tabla siguiente.
- Recordar que la potencia de arranque y de funcionamiento de los artefactos con carga resistiva es la misma. (**Ejemplo:** un foco de 100 W sólo requiere 100 W para encenderse.) La mayor parte de las cargas resistivas estarán listadas en vatios.



CALCULO DE POTENCIA DOMESTICA

DISPOSITIVOS DE CARGAS INDUCTIVAS DE GRAN ARRANQUE		CARGA DEL ELECTRODOMESTICO O ARTEFACTO*		POTENCIA TIPICA DEL ARTEFACTO** (W)	TOTAL
WATTS DE MARCHA	TIEMPO X FACTOR DE ARRANQUE				
800	x 3	→	REFRIGERADOR/ CONGELADOR	= 2.400	= []
600	x 3	→	REFRIGERADOR PEQUEÑO	= 1.800	= []
2.400	x 3	→	AIRE ACONDICIONADO (HABITACIÓN)	= 7.200	= []
1.000	x 2	→	BOMBA DE SUMIDEROS	= 2.000	= []
800	x 3	→	VENTILADOR DE ESTUFA	= 2.400	= []
1.000	x 2	→	BOMBA DE POZO	= 2.000	= []
<div style="border: 1px solid black; padding: 5px; text-align: center;">PRECAUCION !!</div> <p>NO CONECTE EQUIPO ELECTRONICO DE VOLTAJE SENSITIVO. (EQUIPOS DE TV, COMPUTADORAS, ETC.) DIRECTAMENTE A SU GENERADOR. SI USTED UTILIZA EL GENERADOR PARA PROVEER ENERGIA ELECTRICA A SU EQUIPO, DEBERA USAR UN PROTECTOR DE SOBRETENSION DE LA LISTA DE LOS ENUMERADOS EN LOS E.U.A.</p> <p>AVISO: DEJAR DE USAR EL PROTECTOR DE SOBRETENSION LA LISTA DE LOS ENUMERADOS EN LOS EE.UU., DAÑARA SU EQUIPO Y CANCELARA LA GARANTIA.</p>			PLANCHA CALIENTE	= 1.500	= []
		→	TELEVISION	= 300	= [PRECAUCION !!]
			HOFNO MICROONDAS	= 800	= []
			CALEFACTOR DE AMBIENTES	= 1.500	= []
			CALENTADOR DE AGUA	= 4.000	= []
<p>EL CONTROL DE VACIO DEBE ESTAR EN LA POSICION OFF AL OPERAR MOTORES DE CARGAS ELEVADAS (CONGELADORAS, REFRIGERADORES, ETC.) O DE EQUIPOSELECTRONICOS DE VOLTAJE SENSITIVO (TV, COMPUTADORAS, ETC.)</p>		ILUMINACION	WATTS	CANTIDAD DE BOMBILLAS	
	BOMBILLAS DE 60 W	→	60	x []	= []
	BOMBILLAS DE 75 W	→	75	x []	= []
	BOMBILLAS DE 100 W	→	100	x []	= []
	BOMBILLAS DE 300 W	→	300	x []	= []
<p>* PARA PODER CALCULAR PRODUCTOS QUE NO ESTAN LISTADOS REFERIRSE A INSTRUCCIONES PARA CALCULAR LA DE MANDA DE POTENCIA</p> <p>** LOS VALORES PROMEDIO INDIVIDUALES DEL VOLTAJE DE LOS ARTEFACTOS, PUEDEN SER SUPERIORES O INFERIORES.</p>		<p>SUMA TOTAL DE LA CARGA ELECTRICA []</p> <p>ESTE TOTAL DEBE SER MENOR QUE EL VALOR NOMINAL DE SU GENERADOR.</p>			
		<p>POTENCIA NOMINAL DE SU GENERADOR []</p> <p>ESTE TOTAL DEBE SER MAYOR QUE EL VATAJE DE CARGA DE SU VIVIENDA FAMILIAR.</p>			

GUÍA PARA DIAGNÓSTICO DE PROBLEMAS

PROBLEMA	CAUSA	CORRECCIÓN
<i>El motor no arranca</i>	<ol style="list-style-type: none"> 1. Poco combustible o aceite. 2. Interruptor de encendido en "Off" (Apagado). 3. Bujía defectuosa. 4. Acelerador de Arranque (Choke) en la posición incorrecta. 5. Válvula de corte de combustible en la posición de cerrada. 6. Unidad cargada al arrancar. 7. Cable de la bujía flojo. 	<ol style="list-style-type: none"> 1. Agregar combustible o aceite. 2. Girar a la posición de «On» (Prendido). 3. Reemplazar la bujía. 4. Regular el Acelerador de Arranque (Choke). 5. Abrir la válvula de corte de combustible. 6. Eliminar la carga de la unidad. 7. Colocarle el cable a la bujía.
<i>No genera electricidad.</i>	<ol style="list-style-type: none"> 1. Tomacorriente defectuoso. 2. El interruptor de circuito ha saltado. 3. Capacitador defectuoso. 4. Cordón defectuoso. 5. Interruptor GFCI disparado (si estuviese equipado con ello). 	<ol style="list-style-type: none"> 1. Cambiar en el Centro de Servicio Autorizado. 2. Presionar y repositonar. 3. Cambiar el capacitador en el Centro de Servicio Autorizado. 4. Reparar o reemplazar el cable. 5. Presione para repositonar.
<i>El interruptor de circuito salta repetidamente.</i>	<ol style="list-style-type: none"> 1. Sobrecarga 2. Equipo o cordones defectuosos. 	<ol style="list-style-type: none"> 1. Reducir la carga. 2. Detectar cables dañados, pelados o desgastados en el equipo. Reemplazar.
<i>El generador se recalienta</i>	<ol style="list-style-type: none"> 1. Generador sobrecargado. 2. Ventilación insuficiente. 	<ol style="list-style-type: none"> 1. Reducir la carga. 2. Mover a un lugar donde tenga suficiente aire fresco.
<i>La manija no pliega afácilmente.</i>	<ol style="list-style-type: none"> 1. Zona donde rota la manija, en los soportes no lubricados. 	<ol style="list-style-type: none"> 1. Lubrique la zona con aceite liviano. 2. Afloje el tornillo yendo a través de la manija en ambos extremos.

GARANTÍA LIMITADA

PORTER-CABLE CORPORATION garantiza al comprador original de todos los productos cubiertos bajo esta garantía, que los mismos se encuentran libres de defectos en materiales y mano de obra. Los productos cubiertos bajo esta garantía incluyen todos los compresores de aire, herramientas neumáticas, piezas de servicio, lavadoras a presión y generadores, los cuales tienen los siguientes periodos de garantía:

3 AÑOS - Garantía limitada en las bombas compresoras de 2 tiempos sin aceite, que operan a 1725 RPM.

2 AÑOS - Garantía limitada en las bombas compresoras de aire, lubricadas con aceite.

1 AÑO - Garantía limitada en todos los componentes de los otros compresoras de aire.

2 AÑOS - Garantía limitada en los generadores de corriente alterna.

2 AÑOS - Garantía limitada en las herramientas.

1 AÑO - Garantía limitada en lavadoras a presión usadas en aplicaciones domésticas (por ej. Suo residencial y personal exclusivo).

90 DÍAS - Lavadoras a presión utilizadas para usos comerciales (que producen ingresos) y piezas de servicio.

1 AÑO - Garantía limitada sobre todos los servicios.

Porter-Cable reparará o reemplazará, a opción de **Porter-Cable**, productos o componentes con fallas, que se encuentren comprendidos dentro del periodo de garantía. El servicio será programado de acuerdo al flujo normal de trabajo y el horario normal de atención a clientes en el domicilio del servicentro, y conforme a la disponibilidad de piezas de reemplazo. Todas las decisiones de **Porter-Cable Corporation** relacionadas con esta garantía limitada, serán definitivas.

Esta garantía le otorga derechos legales específicos, aunque también usted podría tener otros derechos que podrán variar entre estados.

RESPONSABILIDAD DEL COMPRADOR ORIGINAL (Usuario inicial):

- Para procesar un reclamo de garantía sobre este producto, NO lo devuelva al comercio vendedor. El producto deberá ser evaluado por un servicentro autorizado de **Porter Cable** para la atención de garantías. Para informarse de la ubicación más cercana del servicentro autorizado para atención de garantías de **Porter-Cable**, llame al 1-888-559-8550 que atiende 24 horas diarias, los 7 días de la semana.
- Retenga el recibido de venta original, como comprobante de su compra, para obtener la atención de su garantía.
- Mantenga un cuidado razonable en la operación y mantenimiento del producto, de acuerdo a lo descrito en el(los) Manual(es) del propietario.
- Entregue o envíe el producto al servicentro autorizado para atención de garantías de **Porter-Cable** más cercano. Los costos de flete, si hubiese alguno, deberán ser abonados por el comprador.
- Únicamente los compresores de aire con tanques de 60 y 80 galones serán inspeccionados en el sitio de instalación. Contacte el servicentro autorizado para atención de garantías de **Porter-Cable** más cercano que provea atención domiciliaria de solicitudes de servicio, para efectuar los arreglos para la prestación de dicho servicio.
- Si el comprador no obtuviese un resultado satisfactorio de parte del servicentro autorizado para atención de garantías de **Porter-Cable**, deberá contactar a **Porter-Cable**.

ESTA GARANTÍA NO CUBRE:

- Mercadería vendida como reacondicionada, usada como equipo en alquiler y modelos de piso para exhibición.
- La mercadería que se encuentre dañada o inoperante debido al uso ordinario, inadecuado, frío, calor, lluvia, humedad excesiva, dañada por congelamiento, uso de productos químicos inapropiados, negligencia, accidente, fallas en la operación del producto relacionado con las instrucciones contenidas en el(los) Manual(es) del propietario provistos con el producto, mantenimiento inadecuado, uso de accesorios o agregados no recomendados por **Porter-Cable**, reparaciones no autorizadas o modificaciones.
- * Un compresor de aire que bombea aire durante más del 50% durante una hora, está considerado como de uso inadecuado, dado que el compresor está subdimensionado para la demanda de aire requerida
- Los costos de reparación y transporte de la mercadería determinada no defectuosa.
- Los costos asociados con el armado, aceite requerido, regulaciones u otros costos de instalación y puesta en marcha.
- Las partes consumibles o accesorios provistos con el producto cuya expectativa de desgaste e inoperatividad luego de un periodo razonable de uso, incluido pero no limitado a discos de lijado o almohadillas, sierras y hojas cortantes, piedras de amolar, resortes, cortantes, picos, o-rings, picos de aire, lavadoras y accesorios similares.
- La mercadería vendida por **Porter-Cable** que haya sido fabricada e identificada como producto de otra empresa. En dicho caso tendrá validez la garantía extendida por su fabricante.
- **CUALQUIER PÉRDIDA INCIDENTAL, CONSECUENTE, DAÑO O GASTO QUE PUDIERE RESULTAR DE CUALQUIER DEFECTO, FALLA O MAL FUNCIONAMIENTO DEL PRODUCTO, NO QUEDA CUBIERTO EN LOS ALCANCES DE ESTA GARANTÍA.** Algunos estados no permiten la exclusión ni limitación de daños incidentales o consecuentes, en dicho caso la limitación antes mencionada no será de aplicación en su caso.
- **LAS GARANTÍAS IMPLÍCITAS, INCLUYENDO AQUELLAS RELACIONADAS CON LA COMERCIALIZACIÓN Y CALIFICACIÓN PARA UN PROPÓSITO EN PARTICULAR, QUEDAN LIMITADAS A UN AÑO A PARTIR DE LA FECHA ORIGINAL DE SU COMPRA.** Algunos estados no permiten limitaciones en cuanto a la duración de una garantía implícita, en tal caso, las limitaciones antes mencionadas no serán de aplicación en su caso.

PORTER-CABLE

Porter-Cable Corporation

Jackson, TN

1-888-559-8550

INFORMACION RAPIDA SOBRE GENERADORES

LLAMAR 1-800-559-8550 PARA UBICAR EL CENTRO DE SERVICIO AUTORIZADO LOCAL PARA REPARACIONES Y COMPRA DE REPUESTOS LLAMAR AL

GASOLINA PARA EL MOTOR	Usar gasolina limpia, fresca con un máximo de 87 octanos. No reabastecer de gasolina mientras la unidad esté en uso ni inmediatamente después de haberse usado.
ACEITE PARA EL MOTOR	Referirse al manual de operación del motor para las recomendaciones sobre el aceite. La mayoría de los generadores está equipados con un dispositivo que los apaga cuando el nivel de aceite está bajo. Si el nivel de aceite está bajo o si el generador no está nivelado, el motor no arrancará.
POTENCIA	Calcular la potencia requerida antes de usar el generador. Para instrucciones adicionales, referirse al manual general de operación.
CABLEADO	Contactarse con un electricista para obtener instrucciones para cualquier cableado. Si se tienden cables hacia adentro de una vivienda, se debe usar un conmutador de doble acción y un cordón para servicio pesado.
BATERÍA Y REGULADOR DE VOLTAJE	Usar una batería estándar (12V) del tipo para máquinas para jardines con un máximo de 45 A/H o 210 CCA. El voltaje y la frecuencia están determinados por las revoluciones del motor. No modificar la regulación del acelerador o gobernador para aumentar el rendimiento. Esto sólo alterará las regulaciones o ajustes de fábrica y dañará cualquier artefacto conectado al generador. Cerciorarse de usar un protector contra sobrecargas cuando al generador se conecten equipos electrónicos sensibles tales como televisores, computadoras, estéreos, etc... EL daño a tales equipos por no usar el protector NO SERÁ cubierto por la garantía.
MOTOR	No modificar las regulaciones o ajustes ni intentar darle mantenimiento sin consultar el manual del motor o con un centro de servicio autorizado para el motor.
ALMACENAJE	Agregar un estabilizador al tanque de combustible y hacer funcionar el motor por 5 minutos antes de almacenar la unidad. Cuando se almacene por largo tiempo, hacer funcionar el generador con carga cada 60 días por lo menos por 10 minutos. Ésto evitará la pérdida del magnetismo residual que produce la electricidad.
OPERACIÓN	Esperar que el generador funcione sin carga por 5 minutos para que el motor y el cabezal del generador se estabilicen. Cerciorarse de usar un cordón de extensión de las dimensiones adecuadas. Referirse a la sección con las Instrucciones para Conexión a Tierra y Cordón de Extensión en el manual de operación. Se considera que el generador está trabajando con 50% de carga cuando se están operando equipos que consumen la mitad de la capacidad del generador. Si se usa todo el vatiaje producido, se considera que el generador está trabajando con el 100% de carga.

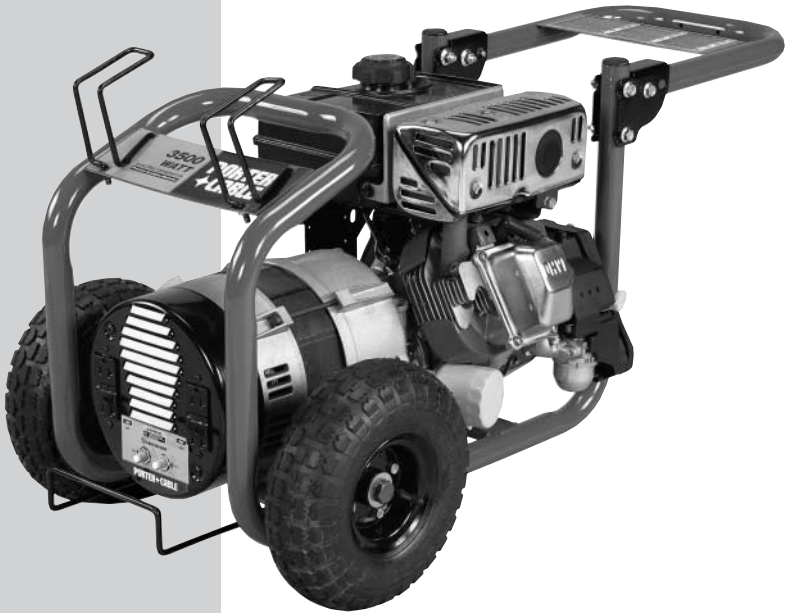
SIEMPRE REFERIRSE A LOS MANUALES SUMINISTRADOS CON ESTA UNIDAD

Manuel d'instructions

Modèle
PGN350

ENGLISH: PAGE 1
ESPAÑOL: PÁGINA 23

Génératrices



Pour de plus amples renseignements concernant Porter-Cable, consultez notre site Web à l'adresse suivante :

<http://www.porter-cable.com>

PORTER-CABLE

IMPORTANT

Veuillez vous assurer que la personne qui utilise cet outil lit attentivement et comprend ces instructions avant de commencer à utiliser l'outil.

La plaque des numéros de modèle et de série est située sur le châssis. Prenez note de ces numéros dans les espaces ci-après et conservez-les pour référence future.

No. de modèle _____

Type _____

No. de séries _____

RENSEIGNEMENTS POUR LE CONSOMMATEUR

- Veuillez lire et suivre les instructions de ce guide afin d'assurer une utilisation et un entretien appropriés de l'appareil.
- Si vous avez des problèmes ou si vous avez besoin d'aide, veuillez nous téléphoner sans frais au **1-888-559-8550, du lundi au samedi entre 8 h et 18 h HNC.**
- S'il faut faire réparer votre appareil ou si vous avez besoin d'une pièce de rechange, un grand nombre de centres de service sous garantie autorisés existent à des endroits pratiques et sont en mesure d'offrir des services d'entretien sous garantie et hors de la garantie.
- Pour connaître l'emplacement du centre de service sous garantie autorisé le plus près de chez vous, composez le 1-888-559-8550, poste 2, 24 heures par jour, 7 jours par semaine.
- Veuillez conserver le reçu de caisse comme preuve d'achat aux fins de la garantie.
- **Lisez attentivement tous les avertissements de sécurité.**
- Ne tentez pas d'utiliser cet appareil avant d'avoir lu attentivement les directives sur la sécurité, l'utilisation et l'entretien de ce Guide de l'utilisateur.
- Ne tentez pas d'utiliser cet appareil avant d'avoir lu attentivement les directives sur la sécurité, l'utilisation et l'entretien du Guide de l'utilisateur du moteur.

Remarque: Les photos et les dessins de ce manuel sont fournis à titre de référence seulement et ne représentent aucun modèle en particulier.

RENSEIGNEMENTS SUR LA SÉCURITÉ DU CONSOMMATEUR

▲ AVERTISSEMENT

Lisez le Guide de l'utilisateur. Ne tentez pas d'utiliser cet appareil avant d'avoir lu les directives sur la sécurité, l'assemblage, l'utilisation et l'entretien de ce Guide de l'utilisateur.

▲ AVERTISSEMENT

Il se peut que ce produit ne soit pas équipé d'un silencieux à pare-étincelles. Si le produit n'en est pas équipé, et s'il est utilisé près de matériaux inflammables ou sur de la terre couverte de produits agricoles, forêts, broussailles, gazon ou autres articles semblables, un pare-étincelles approuvé doit être posé, et est exigé par la loi en Californie. Selon la section 130050 de la loi de la Californie, et les sections 4442 et 4443 du Code sur les ressources publiques de la Californie, ce produit ne peut pas être utilisé en Californie, à moins que le moteur ne soit équipé d'un pare-étincelles, tel que décrit dans la section 4442, et à moins que l'appareil ne soit maintenu en bon état de fonctionnement. Des pare-étincelles sont également requis sur certaines terres forestières des États-Unis et peuvent être exigés légalement sous certains autres lois et arrêtés.

▲ AVERTISSEMENT

Les gaz d'échappement du moteur contiennent des produits chimiques qui, dans certaines quantités, peuvent causer le cancer, les anomalies congénitales ou d'autres maux de reproduction.

MESURES DE SÉCURITÉ - DÉFINITIONS

Ce guide contient des renseignements importants que vous deviez bien saisir. Cette information porte sur VOTRE SÉCURITÉ et sur LA PRÉVENTION DE PROBLÈMES D'ÉQUIPEMENT. Afin de vous aider à identifier cette information, nous avons utilisé les symboles ci-dessous. Veuillez lire attentivement ce guide en portant une attention particulière à ces sections.

⚠ DANGER Indique un danger imminent qui, s'il n'est pas évité, causera de graves blessures ou la mort.

⚠ AVERTISSEMENT Indique la possibilité d'un danger qui, s'il n'est pas évité, pourrait causer de graves blessures ou la mort.

⚠ MISE EN GARD Indique la possibilité d'un danger qui, s'il n'est pas évité, peut causer des dommages mineures ou moyennes.

MISE EN GARD Sans le symbole d'alerte. Indique la possibilité d'un danger qui, s'il n'est pas évité, peut causer des dommages à la propriété.

MESURES DE SÉCURITÉ IMPORTANTES

⚠ AVERTISSEMENT Une utilisation ou un entretien non appropriés de ce produit peut causer des blessures graves et des dommages à la propriété.

Lisez attentivement tous les avertissements et les directives d'utilisation avant d'utiliser cet appareil.

⚠ DANGER

RISQUES D'ÉLECTROCUTION ET D'INCENDIE



DANGER	RISQUE	PRÉVENTION
Tenter de brancher la génératrice directement au système électrique d'un édifice quelconque.	L'acheminement d'une tension électrique à travers un système électrique, vers les lignes de distribution électrique extérieures, risque de mettre en danger les techniciens en train d'essayer de rétablir l'alimentation électrique.	Ne jamais acheminer une tension électrique vers les lignes de distribution électrique extérieures d'un édifice.
	<p>Toute tentative de brancher la génératrice à un service public d'électricité risque d'entraîner une électrocution.</p> <p>Le rétablissement du service électrique lorsque la génératrice est branchée à un service public d'électricité, risque de provoquer un incendie ou des dommages sérieux si aucun interrupteur d'isolation n'est installé.</p> <p>Si aucun inverseur bidirectionnel n'est utilisé en branchant l'appareil au système électrique d'un bâtiment, cela risque de causer des dommages aux appareils ménagers et ANNULERA la garantie du fabricant.</p>	Brancher la génératrice au système électrique d'un édifice d'une manière sécuritaire en utilisant toujours un inverseur bidirectionnel, installé par un électricien qualifié, conformément aux ordonnances locales. (Un fil de calibre 10, au minimum, doit être utilisé pour l'installation d'un inverseur bidirectionnel.)

▲ DANGER**RISQUES D'ÉLECTROCUTION ET D'INCENDIE
(suite)**

DANGER	RISQUE	PRÉVENTION
Fonctionnement de la génératrice en présence de pluie, d'humidité, de gel ou d'inondation.	L'eau est un excellent conducteur d'électricité ! L'eau qui entre en contact avec des composantes chargées d'électricité peut transmettre l'électricité au châssis et aux autres surfaces, entraînant des chocs électriques aux personnes touchant ces surfaces.	Utiliser la génératrice dans un endroit propre, sec et bien aéré. S'assurer d'avoir les mains sèches avant de toucher à l'appareil.
Utilisation de rallonges électriques endommagées, de calibre insuffisant ou sans mise à la terre.	Le contact à une rallonge électrique usée ou endommagée peut entraîner une électrocution.	Inspecter la rallonge électrique avant l'utilisation et la remplacer par une rallonge neuve au besoin.
	L'utilisation de rallonges électriques de calibre insuffisant peut provoquer une surchauffe des câbles ou des composantes reliées et causer un incendie.	Utiliser une rallonge électrique de calibre (de fils) approprié selon votre application. Consulter la section intitulée "Assemblage".
	L'utilisation de rallonges électriques sans mise à la terre peut empêcher le fonctionnement des coupe-circuit et entraîner des chocs électriques.	Toujours se servir d'un cordon d'alimentation muni d'un fil de mise à la terre et d'une fiche de mise à la terre appropriée. NE JAMAIS utiliser une fiche sans mise à la terre.
Placer la génératrice sur ou contre une surface conductrice telle qu'une passerelle d'acier ou un toit en métal.	Des fuites accidentelles de courant électrique peuvent charger les surfaces conductrices en contact avec la génératrice	Placer la génératrice sur une surface à faible conductivité telle qu'une dalle en béton. TOUJOURS utiliser la génératrice à une distance minimum de six pieds (1,8 m) de toute surface conductrices.
Connexion inappropriée des composantes à la génératrice.	Le dépassement de la capacité de charge de la génératrice par le branchement d'une quantité excessive de composantes ou de composantes de charges très élevées peut provoquer une surchauffe des câbles ou des composantes reliées et provoquer un incendie ou des chocs électriques.	Veuillez consulter le tableau des valeurs nominales de charges et les directives dans la section intitulée "Calcul de la puissance en watts". S'assurer que le total des charges électriques pour tous les branchements n'excède pas la charge nominale de la génératrice.
Utilisation de l'appareil lorsqu'il est endommagé ou lorsque les dispositifs de sécurité ou les panneaux sont retirés.	La tentative d'utiliser l'appareil lorsqu'il a été endommagé ou lorsqu'il ne fonctionne pas normalement peut entraîner un incendie ou une électrocution.	Ne pas utiliser la génératrice lorsqu'elle présente des défauts mécaniques ou électriques. Faire réparer la génératrice par un centre de service après-vente autorisé.
	L'enlèvement de dispositifs de sécurité peut exposer les composantes chargées électriquement et entraîner une électrocution.	Ne pas utiliser la génératrice lorsque les dispositifs de sécurité sont retirés.

▲ DANGER

RISQUES D'INCENDIE



DANGER	RISQUE	PRÉVENTION
Remplissage du réservoir à carburant pendant que la génératrice est en marche.	L'essence ou les vapeurs d'essence peuvent s'enflammer au contact de composantes chaudes telles que le silencieux, les gaz d'échappement du moteur ou une étincelle électrique.	Arrêter le moteur et le laisser refroidir avant d'ajouter de l'essence dans le réservoir. S'assurer de la disponibilité d'un extincteur certifié pour les incendies impliquant de l'essence ou du carburant dans la zone de remplissage.
Étincelles, incendie, objets chauds.	Les cigarettes, les étincelles, les incendies ou d'autres objets chauds peuvent entraîner l'inflammation de l'essence ou des vapeurs d'essence	Remplir le réservoir dans une zone bien aérée. S'assurer qu'aucune source d'inflammation n'est à proximité de la génératrice.
Entreposage inapproprié du carburant.	L'entreposage inapproprié du carburant peut entraîner une inflammation accidentelle. Du carburant conservé dans des zones non sécuritaires pourrait être à la portée des enfants ou d'autres personnes non qualifiées.	Entreposer l'essence dans des contenants approuvés par l'OSHA et conçus pour de l'essence. Entreposer les contenants dans des endroits sécuritaires afin d'en empêcher l'utilisation par d'autres personnes.
Aération inappropriée pour la génératrice.	Des matériaux placés contre ou à proximité de la génératrice ou l'utilisation de la génératrice dans des zones où la température ambiante excède 104° F (40° C) (tels que les salles d'entreposage ou les garages) peuvent entraver l'efficacité du système d'aération et provoquer ainsi une surchauffe et une inflammation des matériaux ou des édifices.	Utiliser la génératrice dans un endroit propre, sec et bien aéré, et s'assurer qu'elle se trouve à au moins quatre pieds (1,2 m) de tout édifice, objet ou mur. NE PAS UTILISER L'APPAREIL À L'INTÉRIEUR OU DANS UN ENDROIT CLOS.
Modification des réglages de vitesse du moteur du fabricant.	La vitesse du moteur a été réglée à l'usine par le fabricant afin d'en assurer un fonctionnement sécuritaire. La modification des réglages de la vitesse du moteur peut provoquer une surchauffe des composantes reliées et entraîner un incendie.	Ne jamais tenter d' augmenter la vitesse du moteur en vue d'obtenir un meilleur rendement car si vous le faites, la tension et la fréquence de sortie seraient hors norme et présenteraient des risques aux composantes reliées et à l'utilisateur.
Remplissage excessif du réservoir à carburant - déversement de carburant.	Les déversements de carburant et les vapeurs s'en échappant peuvent s'enflammer au contact de surfaces chaudes ou d'étincelles.	Prendre toutes les précautions d'usage lors du remplissage du réservoir afin d'éviter tout déversement de carburant. S'assurer que le bouchon du réservoir est correctement fermé et vérifier si de l'essence fuit du moteur avant de mettre le moteur en marche. Déplacer la génératrice de la zone de remplissage ou de tout déversement avant de mettre le moteur en marche. Laisser assez d'espace pour l'expansion de du carburant. Garder le niveau de carburant à un maximum de 1/4 de pouce sous la partie supérieure du réservoir à carburant. Ne jamais remplir le réservoir lorsque le moteur est en marche.

▲ DANGER**RISQUES DE BLESSURES ET DE DOMMAGES À LA PROPRIÉTÉ PENDANT LE TRANSPORT DE LA GÉNÉRATRICE**

DANGER	RISQUE	PRÉVENTION
Incendie, inhalation et dommages aux surfaces du véhicule.	Des fuites ou des déversements de carburant ou d'huile peuvent se produire et entraîner des risques d'incendie ou des problèmes aux voies respiratoires, des blessures graves ou la mort. Des fuites de carburant ou d'huile endommagent les tapis, la peinture et toute autre surface des véhicules ou des remorques.	Si la génératrice est munie d'une soupape d'arrêt, tourner la soupape à la position fermée avant le transport de façon à éviter tout risque de fuite. Si la génératrice n'est pas munie d'une soupape d'arrêt, vidanger l'essence du réservoir avant le transport. Ne transporter le carburant que dans des contenants approuvés par l'OSHA. Pour le transport, toujours placer la génératrice sur un tapis de protection pour éviter l'endommagement du véhicule par des fuites. Retirer la génératrice du véhicule immédiatement à l'arrivée.

▲ DANGER**RISQUES AUX VOIES RESPIRATOIRES ET RISQUES D'INHALATION**

DANGER	RISQUE	PRÉVENTION
Les moteurs à essence produisent des émanations de monoxyde de carbone toxiques.	L'inhalation de gaz d'échappement peut entraîner des blessures graves ou la mort.	Utiliser la génératrice dans un endroit propre, sec et bien aéré. Ne jamais utiliser l'appareil dans des endroits clos tels que les garages, sous-sols et hangars d'entreposage ni dans des endroits occupés par des êtres humains ou des animaux. Garder les enfants, les animaux domestiques et autres, loin de la zone de l'appareil en marche.

▲ AVERTISSEMENT**RISQUES D'UNE UTILISATION DANGEREUSE**

DANGER	RISQUE	PRÉVENTION
Utilisation de la génératrice avec négligence.	Toutes les sources d'énergie représentent des risques potentiels de blessures. Utiliser ou entretenir la génératrice avec négligence peut entraîner des blessures graves ou la mort.	<ul style="list-style-type: none"> • Consulter à nouveau ce manuel afin de bien comprendre les directives d'utilisation et les avertissements. • Se familiariser avec le fonctionnement et les commandes de l'appareil. Il est important de connaître la façon de mettre rapidement l'appareil hors fonction. • S'assurer de la disponibilité d'un extincteur certifié pour les incendies impliquant de l'essence ou du carburant dans la zone d'utilisation. • Garder les enfants et les autres personnes éloignés en tout temps de la zone d'utilisation.

⚠ AVERTISSEMENT**RISQUES D'UNE UTILISATION DANGEREUSE (suite)**

DANGER	RISQUE	PRÉVENTION
Fonctionnement des appareils électroménagers sensibles aux variations de tension sans protecteur de surtension.	Toutes les génératrices domestiques à essence produisent des variations de tension pouvant endommager les appareils sensibles aux variations de tension ou provoquer un incendie.	Utiliser toujours un protecteur de surtension sensible à la tension et homologué U.L. pour brancher les appareils sensibles aux variations de tension (téléviseur, ordinateur, chaîne stéréophonique, etc.). Le manquement à utiliser en tout temps un protecteur de surtension homologué U.L. annule la garantie de la génératrice. Remarque : Une lisière à prises multiples n'est pas un protecteur de surtension ; s'assurer d'utiliser un protecteur de surtension homologué U.L.
Suspension ou soulèvement non approprié de génératrices équipées d'anneaux de levage	La génératrice peut tomber, entraînant des blessures graves ou la mort de l'opérateur ou d'autres personnes.	Toujours suivre la procédure de connexion appropriée indiquée dans ce guide en attachant les câbles, les chaînes ou les sangles pour soulever ou suspendre une génératrice équipée d'anneaux de levage.
	Une suspension ou un soulèvement non approprié risque d'endommager la génératrice.	Toujours utiliser des câbles, des chaînes ou des sangles capables d'accepter une charge de 2 000 lb (907 kg) ou plus pour soulever ou suspendre une génératrice.
Fonctionnement d'une génératrice lorsqu'elle est suspendue	La génératrice sera endommagée et ne fonctionnera pas de façon appropriée ; de plus elle peut entraîner des blessures graves ou la mort de l'opérateur ou d'autres personnes.	Ne jamais faire fonctionner la génératrice lorsqu'elle est suspendue ou lorsqu'elle n'est pas à niveau. Toujours utiliser la génératrice sur une surface plate et à niveau.

⚠ AVERTISSEMENT**RISQUES RELIÉS AUX SURFACES CHAUDES**

DANGER	RISQUE	PRÉVENTION
Contact avec les composantes chaudes du moteur et de la génératrice.	Le contact avec les surfaces chaudes, telles que les composantes d'échappement du moteur, peut entraîner des brûlures graves.	Lors du fonctionnement, ne toucher que les surfaces de commande de la génératrice. En tout temps, garder les enfants éloignés de la génératrice. Ils ne sont peut-être pas capables de détecter les risques inhérents à ce produit.

⚠ AVERTISSEMENT**RISQUES RELIÉS AUX PIÈCES MOBILES**

DANGER	RISQUE	PRÉVENTION
Le contact avec des pièces mobiles peut entraîner des blessures graves.	Pendant le fonctionnement de la génératrice, certaines de ses pièces tournent à des vitesses élevées. Ces pièces sont recouvertes de dispositifs de sécurité pour éviter toute blessure.	Ne jamais faire fonctionner la génératrice lorsque les dispositifs de sécurité ou les couvercles ne sont pas en place. Éviter de porter des vêtements amples ou des bijoux qui risquent d'entrer en contact avec les pièces mobiles.

⚠ AVERTISSEMENT**RISQUES LORS DU LEVAGE**

DANGER	RISQUE	PRÉVENTION
Levage d'objets lourds.	Le levage d'objets trop lourds peut entraîner des blessures graves.	Le poids de la génératrice est trop élevé pour qu'une personne seule la soulève. Demander l'aide d'autres personnes avant de la déplacer.

SPÉCIFICATIONS**MODÈLE**

PUISSANCE EN CHEVAUX
 PUISSANCE EN WATTS
 NOMINALE/SURTENSION
 TENSION
 INTENSITÉ
 PHASE
 HERTZ
 VITESSE DU MOTEUR
 TEMPÉRATURE AMBIANTE MAX.
 CAPACITÉ DE CARBURANT
 TEMPS DE SERVICE À 50%/100%

PGN350

6.5CV
 3 500/7 250
 120 V
 29,2 A
 MONOPHASÉ
 60 Hz
 3 600 TR/MIN
 104° F/40° C
 4,0 (3,8 litres)
 2,3/1,5 HRES

ASSEMBLAGE

MISE EN GARDE

Lire le Guide de l'utilisateur. Ne pas faire fonctionner l'appareil avant d'avoir lu les parties traitant de la sécurité, du fonctionnement et de l'entretien du Guide de l'utilisateur.

REMARQUE : Ce guide est un guide général. Les renseignements dans ce guide ne s'appliquent peut-être pas à votre modèle. Veuillez lire attentivement.

REMARQUE : La mention «gauche» ou «droite» signifie l'emplacement d'une pièce lorsque l'utilisateur est situé face au panneau des prises électriques.

RETRAIT DE LA GÉNÉRATRICE DE SON EMBALLAGE

- Ouvrir l'emballage par le dessus.
- Retirer les pièces de protection de l'emballage.
- Retirez les trousse de pièces et le guide et conservez-les pour l'assemblage.
- Coupez les quatre coins de la boîte et aplatissez les panneaux.
- Enlevez la génératrice du carton.
- Jetez tout le matériel d'emballage.

AUTRES PIÈCES DÉTACHÉES

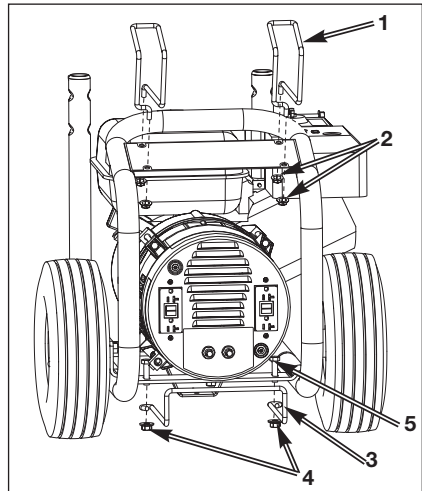
1. L'huile est fournie. Voir le guide de l'utilisateur du moteur pour connaître les procédures de remplissage d'huile et de carburant au moteur.

IMPORTANT: Avant de tenter de démarrer la génératrice, vérifier le niveau d'huile moteur (Voir le guide de l'utilisateur du moteur).

2. Contenu de la trousse de pièces : barre protectrice (1 utilisée), dispositifs d'enroulement de rallonge (2 utilisés), butée en caoutchouc (1 utilisée), vis 5/16-18 x 1-1/4 po (2 utilisées), vis 1/4-20 x 3/4 po (1 utilisée), écrou 1/4-20 avec rondelle (1 utilisé), écrous à bride 5/16-18 (2 utilisés), écrous autotaraudeurs à bride (4 utilisés).

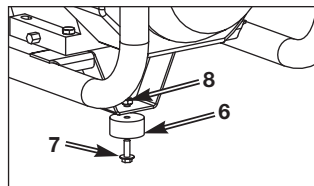
DÉVIDOIRS DE RALLONGE ET BARRE PROTECTRICE

1. Les extrémités des dispositifs d'enroulement de rallonge ne sont pas filetées. Pour faciliter l'assemblage, utilisez une clé à douille de 7/16 po et un cliquet pour poser les écrous autotaraudeurs sur les extrémités des dispositifs d'enroulement de rallonge sur une distance d'environ 6 mm (1/4 po). Retirez les écrous autotaraudeurs et passez à l'étape 2.
2. Fixez chaque dévidoir de rallonge (1) à l'ensemble du panneau à l'aide des écrous à embase autotaraudeux (2), tel qu'illustré. Serrez bien les pièces.
3. Fixez la barre protectrice (3) au châssis à l'aide des vis de 5/16-18 x 1-1/4 po (5) et des écrous à embase de 5/16-18 (4). Serrez bien les pièces.



PARE-CHOCS EN CAOUTCHOUC

1. Fixez le pare-chocs en caoutchouc (6) au support du pied à l'aide de la vis 1/4-20 x 3/4 po (7) et de l'écrou à taquets de 1/4-20 avec rondelle (8).



POIGNÉE

REMARQUE: Lubrifiez avec une huile légère l'endroit où la poignée tourne dans les supports.

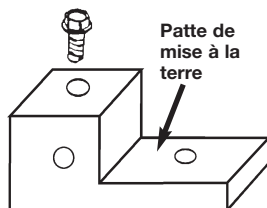
⚠ AVERTISSEMENT Risques liés aux pièces mobiles. Tenez les doigts éloignés de toute pièce en mouvement. Le contact avec des pièces mobiles peut entraîner des blessures graves. En tout temps, garder les enfants éloignés de la génératrice. Ils ne sont peut-être pas capables de détecter les risques inhérents à ce produit.

1. Soulevez la poignée et permettez aux boutons-poussoirs de s'enclencher en place.



MISE À LA TERRE DE LA GÉNÉRATRICE

Une patte de mise à la terre est fournie avec la génératrice. Elle doit être utilisée si les normes d'électricité locales l'exigent. Se référer à l'article 250 du Code national de l'électricité (National Electrical Code) pour de plus amples renseignements sur la mise à la terre. Votre compagnie de service électrique locale ou un électricien qualifié devrait être dans la mesure de vous offrir ces renseignements.



REMARQUE : Le moteur de votre appareil est déjà mis à la terre par une sangle de mise à la terre reliée au châssis.

COMMENT OBTENIR DE L'ÉLECTRICITÉ DE LA GÉNÉRATRICE

Il y a deux façons d'obtenir de l'électricité de la génératrice:

1. Utiliser des rallonges branchées directement de la génératrice aux appareils, lampes, outils etc.
2. Utiliser un inverseur bidirectionnel installé directement à la source de distribution électrique principale à l'extérieur de la maison.

RALLONGES

Afin de réduire le risque de chocs électriques en utilisant un appareil ou un outil considérablement éloigné de la génératrice, il **FAUT** se servir d'une rallonge à trois fils, dotée d'une fiche de mise à la terre à trois broches, et d'une prise à trois fentes qui s'adapte à la fiche de l'outil. Il faut également utiliser une rallonge de dimension appropriée. Le tableau suivant sert à déterminer la dimension de fil minimum requise.

Tableau des calibres de fil pour rallonges		
Longueur de la rallonge	Calibre de fil	Ampérage
0 à 100 pi (0 à 30,5 m)	Calibre 12	jusqu'à 20 ampères
0 à 100 pi (0 à 30,5 m)	Calibre 10	jusqu'à 30 ampères

***REMARQUE :** Lorsque l'ampérage est supérieur à 20 A, il ne faut pas utiliser une rallonge de calibre 12 pour des distances d'une longueur importante.



MISE EN GARDE Si une rallonge est chaude, elle est trop chargée. Réparer ou remplacer immédiatement toute rallonge endommagée.

INVERSEUR BIDIRECTIONNEL



AVERTISSEMENT Des dangers potentiels se présentent lorsqu'une génératrice électrique est branchée à la source de distribution électrique principale entrant dans une maison. À ce point la génératrice peut retourner un courant vers le système d'alimentation électrique public et risque d'envoyer des chocs électriques aux techniciens en train de réparer les lignes d'alimentation électrique.

Pour éviter le retour de courant dans le système de service public, un inverseur bidirectionnel doit être installé entre la génératrice et le système de service public. Ce dispositif devrait être installé par un électricien autorisé, conformément à tous les codes provinciaux et locaux de l'électricité. **(Des fils de calibre 10, au minimum, doivent être utilisés pour l'installation d'un inverseur bidirectionnel.)**

Un électricien devrait également installer un panneau auxiliaire pour isoler les circuits que vous voulez utiliser en cas d'urgence ou lors d'une panne d'électricité. Votre génératrice n'est pas assez puissante pour alimenter à la fois tous les appareils d'éclairage, les appareils ménagers, le téléviseur etc. Pour choisir quels appareils devraient être alimentés lors d'une panne d'électricité, consulter la section intitulée "**Calcul de la puissance en watts**".

UTILISATION

BIEN CONNAÎTRE VOTRE GÉNÉRATRICE

Lire ce Guide de l'utilisateur et les mesures de sécurité avant de faire fonctionner votre génératrice. Consulter le guide des pièces fourni pour une illustration de votre génératrice et pour vous familiariser avec l'emplacement des commandes. Conserver ce guide à titre de référence future.

CAPACITÉ DE LA GÉNÉRATRICE

IMPORTANT : Si la capacité nominale de la génératrice est dépassée, cela risque de causer des dommages importants à la génératrice et aux dispositifs électriques branchés. Consulter la section intitulée "**Calcul de la puissance en watts**" pour vous aider à déterminer quels appareils et outils vous pouvez faire fonctionner avec la capacité en watts de votre génératrice.

COUPE-CIRCUIT

Chaque prise est dotée d'un coupe-circuit pour protéger la génératrice contre toute surcharge. Si le coupe-circuit se déclenche, débrancher tout appareil électrique de la prise. Laisser refroidir le coupe-circuit et appuyer ensuite sur le bouton de rétablissement du coupe-circuit.

DISPOSITIF D'ARRÊT SUITE À UN NIVEAU BAS D'HUILE

Le moteur de votre génératrice est équipé d'un dispositif d'arrêt suite à un niveau bas d'huile. Ce dispositif de sécurité protège le moteur contre tout dommage provoqué par un niveau bas d'huile dans le carter.

Si le niveau d'huile devient trop bas lorsque le moteur tourne, l'appareil s'arrête et ne démarre plus à moins qu'une quantité d'huile suffisante ne soit ajoutée. Si le niveau d'huile est insuffisant avant le démarrage, la génératrice ne démarrera pas à moins qu'une quantité d'huile suffisante ne soit ajoutée.

REMARQUE : Le mécanisme d'arrêt suite à un niveau bas d'huile est très sensible. Il faut ajouter assez d'huile pour atteindre la marque indiquant le plein sur la jauge d'huile afin de désactiver ce dispositif de sécurité.

AVANT DE DÉMARRER LE MOTEUR

▲ MISE EN GARDE Cette génératrice a été expédiée de l'usine sans huile dans le carter. Le fait de faire fonctionner l'appareil sans huile peut endommager le moteur.

▲ MISE EN GARDE Vérifier le niveau d'huile moteur avant chaque démarrage. La mise en marche du moteur lorsque le niveau d'huile est insuffisant, ou lorsqu'il n'y a pas d'huile du tout, risque d'endommager le moteur.

Suivre les étapes suivantes avant de démarrer la génératrice :

1. Vérifier le niveau d'huile du moteur. Consulter le Guide de l'utilisateur du moteur pour connaître le type et la quantité appropriée d'huile.
2. Vérifier le niveau de carburant et remplir le réservoir au besoin. S'assurer que la génératrice est hors fonction et qu'elle est bien refroidie. Utiliser de l'essence ordinaire pure, propre et sans plomb, ayant un indice d'octane d'au moins 87.

Ne pas mélanger de l'huile avec l'essence.



▲ MISE EN GARDE Ne jamais remplir le réservoir à carburant jusqu'au bout. Remplir le réservoir jusqu'à 1/2 po sous la base du col de remplissage afin de permettre l'expansion du carburant. Essuyer tout carburant versé sur le moteur ou sur l'équipement avant de démarrer le moteur.

▲ AVERTISSEMENT Ne jamais remplir le réservoir à carburant à l'intérieur. Ne jamais remplir le réservoir à carburant lorsque le moteur tourne ou lorsqu'il est encore chaud. Ne pas fumer au moment de remplir le réservoir.

▲ MISE EN GARDE Ne jamais faire tourner le moteur à l'intérieur ou dans un endroit fermé sans aération adéquate. Les gaz d'échappement du moteur contiennent du monoxyde de carbone, un gaz toxique, sans odeur.

- S'assurer que la génératrice est mise à la terre, conformément aux exigences locales.
- Toutes les charges électriques **DOIVENT** être débranchées.

▲ MISE EN GARDE Le régime du moteur a été réglé à l'usine pour assurer un fonctionnement sans danger. Toute modification au régime du moteur risque d'entraîner une surchauffe des appareils branchés et pourrait causer un incendie. Ne jamais tenter d'augmenter le régime du moteur afin d'obtenir un meilleur rendement. La tension de sortie et la fréquence seront mises hors des normes par une telle modification, ce qui pourrait être dangereux pour les appareils branchés et pour l'utilisateur.

▲ MISE EN GARDE Il FAUT absolument débrancher toute charge de la génératrice avant de la mettre en marche afin d'éviter d'endommager de façon permanente les appareils branchés.

DÉMARRAGE DU MOTEUR

▲ MISE EN GARDE Ne jamais faire tourner le moteur à l'intérieur ou dans un endroit fermé sans aération adéquate. Les gaz d'échappement du moteur contiennent du monoxyde de carbone, un gaz toxique, sans odeur.

- Ouvrir la soupape de coupure de carburant du moteur.



- Régler la commande d'étranglement située sur le moteur en position d'étranglement 'CHOKE'.

REMARQUE : Aucun étranglement n'est nécessaire pour un moteur chaud. S'assurer que la commande d'étranglement est en position 'RUN' pour démarrer un moteur chaud.

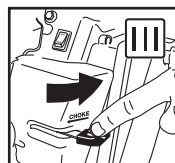
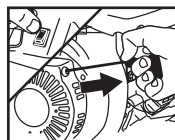


- Sur le panneau avant du moteur se situe un interrupteur de marche et d'arrêt



'ON/OFF'. Régler cet interrupteur en position 'ON'.

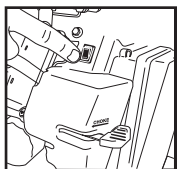
- Saisissez la poignée du démarreur et tirer lentement la corde jusqu'à ce qu'on sente une résistance. Laisser la corde retourner lentement. Tirer ensuite rapidement la corde sur toute la longueur du bras. Laisser la corde retourner lentement. Répéter au besoin.
- Une fois le moteur en marche, déplacer graduellement la commande d'étranglement vers la position 'RUN'.



IMPORTANT : Lors d'un démarrage initial, laisser la génératrice fonctionner sans charge pendant 5 minutes afin de permettre au moteur et à la génératrice de se stabiliser.

ARRÊT DU MOTEUR

1. Débrancher toutes les charges électriques.
2. Placer l'interrupteur 'ON/OFF' en position 'OFF'.



3. Fermer la soupape de coupure de carburant.



BRANCHEMENT DE CHARGES ÉLECTRIQUES

1. Pour réchauffer le moteur après le démarrage, le laisser tourner sans charge électrique pendant cinq minutes.

Brancher les charges de la façon suivante afin d'éviter d'endommager l'équipement :

2. Brancher les charges inductives en premier; les charges inductives comprennent les réfrigérateurs, congélateurs, pompes à eau, climatiseurs et les petits outils à main. Brancher en premier les articles nécessitant la plus grande puissance en watts. Voir la section intitulée "**Calcul de la puissance en watts**".
3. Brancher ensuite les lumières.
4. Les appareils sensibles à la tension devraient être branchés à la génératrice en dernier lieu. Brancher les appareils sensibles à la tension, tels que les téléviseurs, magnétoscopes, micro-ondes, fours, ordinateurs et téléphones sans fil, dans un protecteur de surtension homologué UL et brancher ensuite le protecteur de surtension dans la génératrice.

▲ MISE EN GARDE Si l'équipement n'est pas branché de la manière décrite, l'équipement peut être endommagé et la garantie de la génératrice sera annulée.

Suivre le tableau de calcul de la puissance en watts dans la section intitulée "Calcul de la puissance en watts" de ce guide. Toute surcharge de la génératrice provoque des fluctuations de puissance ce qui risque d'endommager l'équipement et les appareils ménagers.

Porter-Cable Corporation sera tenu responsable des dommages encourus sur l'équipement du client seulement s'il est déterminé que la génératrice est défectueuse. Ceci sera déterminé seulement par un représentant autorisé de Porter-Cable Corporation et cette décision sera finale. Avant qu'une décision de responsabilité légale ne soit prise, Porter-Cable Corporation se réserve le droit d'inspecter les connexions électriques sur les lieux d'utilisation du client et de tester la génératrice afin de déterminer si elle fonctionne de façon appropriée. Si le client ne conserve pas l'équipement ou les fils pour une inspection, toute demande de réclamation de garantie faite par le client sera annulée. Porter-Cable Corporation ne sera pas tenu responsable des dommages encourus sur l'équipement suite aux surtensions ou à une utilisation ou installation non appropriée de la génératrice.

ENTRETIEN

TABLEAU DES RESPONSABILITÉS DU CLIENT

TACHE D'ENTRETIEN	Avant chaque utilisation	Toutes les 25 heures de chaque saison	Toutes les 50 heures de chaque saison	Toutes les 100 heures de chaque saison
Vérification du niveau d'huile	X	Voir Remarque 2		
Changement de l'huile			Voir Remarque 1	
Nettoyage de l'ensemble de filtre à air		X		
Vérification de la bougie d'allumage		X		X
Préparation de l'appareil pour l'entreposage	Préparer l'appareil pour l'entreposage s'il ne sera pas utilisé pendant 30 jours ou plus.			

Remarque 1 : Changer l'huile après les premières deux (2) heures de fonctionnement et à toutes les 50 heures pour les changements subséquents. Changer l'huile plus régulièrement si l'appareil est utilisé dans un environnement extrêmement poussiéreux ou sale.

Remarque 2 : Vérifier l'huile après 5 heures de fonctionnement.

RECOMMANDATIONS GÉNÉRALES

La garantie de la génératrice ne comprend pas les pièces qui ont subi un dommage causé par en emploi abusif ou une négligence de la part de l'utilisateur. Pour s'assurer de tirer pleinement avantage de la garantie, l'utilisateur doit entretenir la génératrice selon les directives contenues dans ce guide.

ENTRETIEN DU MOTEUR

Consulter le Guide de l'utilisateur du moteur pour les réglages et l'entretien du moteur.

ENTRETIEN DE LA GÉNÉRATRICE

Votre génératrice doit être propre et sèche en tout temps. La génératrice ne devrait pas être utilisée ou entreposée dans un environnement excessivement humide ou poussiéreux, ni en présence de vapeurs corrosives. Dans ces cas, nettoyer la génératrice en l'essuyant avec un chiffon ou une brosse à poils souples. Ne pas se servir d'un tuyau d'arrosage ou d'un appareil de lavage sous pression pour nettoyer la génératrice. L'eau risque de s'infiltrer dans les fentes d'aération et d'endommager le rotor, le stator et les enroulements internes de la tête de la génératrice.

ENTREPOSAGE

Si la génératrice ne va pas être utilisée pendant 30 jours ou plus, utiliser les renseignements suivants comme guide pour la préparer pour l'entreposage.

⚠ MISE EN GARDE Ne jamais entreposer la génératrice lorsqu'il y a du carburant dans le réservoir, à l'intérieur ou dans un endroit fermé sans aération adéquate où les vapeurs risquent d'atteindre une flamme nue, une étincelle ou une veilleuse, par exemple sur un fourneau, une chaudière, une sècheuse ou un autre appareil ménager à gaz.

PRÉPARATION DU MOTEUR

1. Ajouter un agent de stabilisation de carburant au réservoir afin de minimiser la formation de dépôts de gomme de carburant lors de l'entreposage.
2. Faire tourner le moteur pendant au moins 10 minutes après avoir ajouté l'agent de stabilisation afin de lui permettre d'entrer dans le système d'alimentation.
3. Couper ensuite le moteur.
4. Débrancher le fil de la bougie d'allumage et retirer la bougie.
5. Ajouter une cuillère à thé d'huile dans l'orifice pour bougie d'allumage.
6. Placer un chiffon sur l'orifice pour bougie d'allumage et tirer sur la corde à recul à quelques reprises pour lubrifier la chambre de combustion.
7. Remettre la bougie d'allumage mais sans brancher le fil de la bougie.

REMARQUE : Si aucun agent de stabilisation n'est utilisé, vidanger toute l'essence du réservoir et du carburateur afin d'empêcher la formation de dépôts de gomme sur ces pièces, ce qui pourrait provoquer le mauvais fonctionnement du moteur.

GÉNÉRATRICE

- Nettoyer la génératrice tel qu'indiqué dans la section intitulée 'Entretien'.
- S'assurer que les fentes d'aération et les ouvertures de la génératrice ne sont pas obstruées.

CALCUL DE LA PUISSANCE EN WATTS

IMPORTANT

Ne jamais dépasser la capacité nominale de la génératrice. Une surcharge risque de causer des dommages importants à la génératrice et aux appareils électriques branchés.

- Il faut toujours calculer les puissances d'amorçage et de service en watts pour déterminer la capacité en watts de la génératrice nécessaire pour l'appareil ou l'outil à brancher.
- Votre génératrice peut alimenter deux types d'appareils électriques :
 - Les articles tels que radios, ampoules, téléviseurs et micro-ondes ont une "charge ohmique". Les puissances d'amorçage et de service en watts de ces articles sont identiques.
 - Les articles tels que réfrigérateurs, compresseurs d'air, laveuses, sècheuses et outils à main équipés d'un moteur électrique ont une "charge inductive". Les appareils ménagers et outils à charge inductive exigent, pour le **démarrage**, une puissance en watts qui est d'environ 2 à 4 fois plus élevée que la puissance de service en watts indiquée. Cette charge initiale ne dure que pendant quelques secondes lors du démarrage, mais elle est très importante pour le calcul de la puissance totale en watts.
 - Toujours démarrer le moteur électrique le plus puissant en premier et brancher ensuite les autres appareils, un à la fois.

REMARQUE : La puissance d'amorçage maximum en watts pour les charges de 120 volts **NE** devrait **PAS** dépasser la moitié de la capacité nominale en watts de la génératrice. Par exemple : une génératrice à capacité nominale de 5 000 watts peut accepter une puissance d'amorçage maximum de 2 500 watts.

DÉTERMINATION DES EXIGENCES DE PUISSANCE EN WATTS

Avant d'utiliser cette génératrice, noter tous les appareils et les outils qui seront utilisés simultanément. Déterminer ensuite les exigences de puissance de service et d'amorçage en watts en suivant l'exemple ci-dessous ou consulter le tableau de calcul des puissances en watts.

- Calculer d'abord le total de la puissance de service en watts de tous les appareils et outils qui seront utilisés simultanément.

Exemple 1 :	Puissance de service	Puissance d'amorçage
Lampes =	100 watts	0
Téléviseur =	300 watts	0
Mijoteuse =	<u>250 watts</u>	<u>0</u>
TOTAL	=650 watts	0

- Calculer ensuite le total de la puissance d'amorçage en watts de tous les appareils et outils qui s'amorcent et s'arrêtent lors du fonctionnement.

Exemple 2 :	Puissance de service	Puissance d'amorçage
Petit réfrigérateur	<u>500 watts</u>	<u>2 000 watts</u>
TOTAL	=500 watts	2 000 watts

- Le total de la puissance de service en watts pour les exemples 1 et 2 est de 1 150 watts. La puissance d'amorçage du petit réfrigérateur est de 2 000 watts, ce qui est 1 500 watts de plus que la puissance de service en watts. Ajouter cette différence de 1 500 watts, pour l'amorçage du réfrigérateur, à la puissance de service totale en watts, soit 1 150.

Exemple 3 :	1 500 watts (Puissance d'amorçage)
	<u>1 150 watts (Puissance de service)</u>
TOTAL	=2 650 watts

La génératrice doit avoir une capacité maximale d'au moins 2 650 watts.

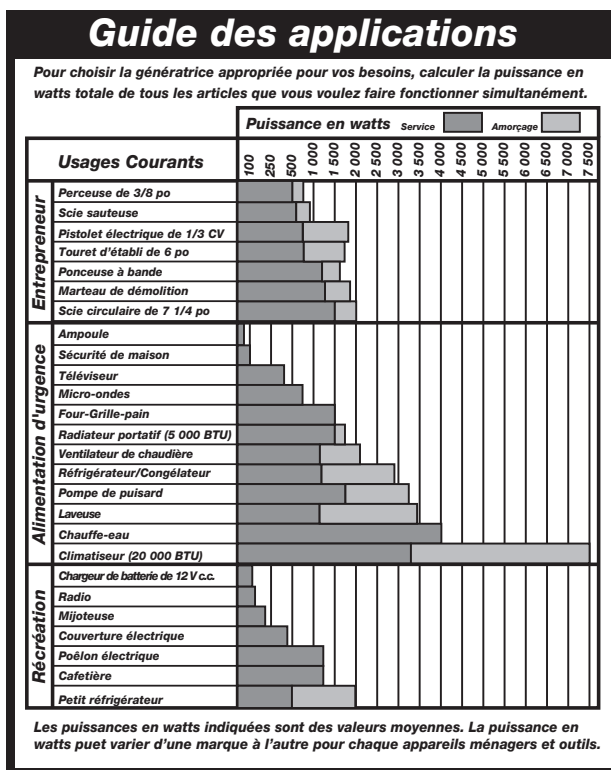
PUISSANCE D'AMORÇAGE EN WATTS

- Certains appareils et outils indiquent, sur la plaque signalétique du moteur, les tensions d'amorçage et de service ainsi que l'intensité requis. Utiliser la formule suivant pour convertir la tension et l'intensité en watts :

$$(\text{volts} \times \text{ampères} = \text{watts})$$

$$120 \text{ volts} \times 10 \text{ ampères} = 1\,200 \text{ watts}$$

- Pour déterminer la puissance d'amorçage en watts approximative de la plupart des appareils ménagers et outils ayant un moteur de type inductif, multiplier la puissance en watts calculée par 2, 3 ou 4 afin d'assurer une capacité suffisante de la génératrice. Si les renseignements nécessaires ne sont pas fournis sur la plaque signalétique, utiliser les valeurs du Guide des applications pour estimer.
- Ne pas oublier que la puissance d'amorçage et la puissance de service sont identiques pour les charges ohmiques. (**Exemple** : une ampoule de 100 watts n'exige que 100 watts pour s'amorcer.) La plupart des charges ohmiques sont indiquées en watts.



CALCUL DE LA PUISSANCE EN WATTS

APPAREILS AYANT UNE CHARGE D'AMORÇAGE (INDUCTIVE) ÉLEVÉE PUISSANCE DE SERVICE EN WATTS	MULTIPLIÉE PAR (X) FACTEUR D'AMORÇAGE	APPAREIL MÉNAGER OU DISPOSITIF À CHARGE*	PUISSANCE EN WATTS TYPIQUE DU DISPOSITIF**	TOTAL																				
800	x 3	RÉFRIGÉRATEUR/ CONGÉLATEUR	= 2400	=																				
600	x 3	PETIT RÉFRIGÉRATEUR	= 1800	=																				
2400	x 3	CLIMATISEUR (DE PIÈCE)	= 7200	=																				
1000	x 2	POMPE DE PUISARD	= 2000	=																				
800	x 3	VENTILATEUR DE CHAUDIÈRE	= 2400	=																				
1000	x 2	POMPE POUR PUIITS	= 2000	=																				
MISE EN GARDE !!		TABLETTE CHAUDE	= 1500	=																				
<p>NE PAS BRANCHER DE L'ÉQUIPEMENT ÉLECTRONIQUE SENSIBLE À LA TENSION (TÉLÉVISEUR, ORDINATEUR ETC.) DIRECTEMENT À LA GÉNÉRATRICE. SI LA GÉNÉRATRICE EST UTILISÉE POUR ALIMENTER DE L'ÉQUIPEMENT SENSIBLE À LA TENSION, IL FAUT UTILISER UN PROTECTEUR CONTRE LA SURTENSION HOMOLOGUÉ U.L.</p> <p>REMARQUE: SI AUCUN PROTECTEUR CONTRE LA SURTENSION HOMOLOGUÉ U.L. N'EST UTILISÉ, L'ÉQUIPEMENT SERA ENDOMMAGÉ ET LA GARANTIE SERA ANNULÉE.</p>		TÉLÉVISEUR	= 300	= MISE EN GARDE !!																				
		MICRO-ONDES	= 800	=																				
		RADIATEUR PORTATIF	= 1500	=																				
<p>LA COMMANDE DE RALENTI DOIT ÊTRE EN POSITION D'ARRIÈRE 'OFF' LORS DE L'ALIMENTATION DE CHARGES À MOTEUR PUISSANT (CONGÉLATEURS, RÉFRIGÉRATEURS, ETC.) OU D'ÉQUIPEMENT ÉLECTRONIQUE SENSIBLE À LA TENSION (TÉLÉVISEUR, ORDINATEURS ETC.)</p>		CHAUFFE-EAU	= 4000	=																				
		<table border="1"> <thead> <tr> <th>ÉCLAIRAGE</th> <th>WATTS</th> <th>MULTIPLIÉ PAR LE NOMBRE D'AMPOULES</th> <th>=</th> </tr> </thead> <tbody> <tr> <td>AMPOULES DE 60 WATTS</td> <td>60</td> <td>x</td> <td>=</td> </tr> <tr> <td>AMPOULES DE 75 WATTS</td> <td>75</td> <td>x</td> <td>=</td> </tr> <tr> <td>AMPOULES DE 100 WATTS</td> <td>100</td> <td>x</td> <td>=</td> </tr> <tr> <td>AMPOULES DE 300 WATTS</td> <td>300</td> <td>x</td> <td>=</td> </tr> </tbody> </table>	ÉCLAIRAGE	WATTS	MULTIPLIÉ PAR LE NOMBRE D'AMPOULES	=	AMPOULES DE 60 WATTS	60	x	=	AMPOULES DE 75 WATTS	75	x	=	AMPOULES DE 100 WATTS	100	x	=	AMPOULES DE 300 WATTS	300	x	=		
ÉCLAIRAGE	WATTS	MULTIPLIÉ PAR LE NOMBRE D'AMPOULES	=																					
AMPOULES DE 60 WATTS	60	x	=																					
AMPOULES DE 75 WATTS	75	x	=																					
AMPOULES DE 100 WATTS	100	x	=																					
AMPOULES DE 300 WATTS	300	x	=																					
<p>* POUR LES PRODUITS NE FIGURANT PAS DANS LE TABLEAU, SE RÉFÉRER À CALCUL DE LA PUISSANCE EN WATTS</p>		<p>TOTAL DES CHARGES ÉLECTRIQUES</p>																						
<p>** VALEURS MOYENNES - LES TENSIONS RÉELLES DES DIFFÉRENTS DISPOSITIFS PEUVENT ÊTRE PLUS ÉLEVÉES OU MOINS ÉLEVÉES.</p>		<p>CE TOTAL DOIT ÊTRE <u>INFÉRIEUR</u> À LA CAPACITÉ NOMINALE DE VOTRE GÉNÉRATRICE</p> <p>CAPACITÉ NOMINALE EN WATTS DE VOTRE GÉNÉRATRICE</p>																						
		<p>CETTE CAPACITÉ DOIT ÊTRE <u>SUPÉRIEURE</u> AU TOTAL DES CHARGES ÉLECTRIQUES RÉSIDENNELLES EN WATTS</p>																						

GUIDE DE DÉPANNAGE

PROBLÈME	CAUSE	CORRECTION
Le moteur ne démarre pas	<ol style="list-style-type: none"> 1. Niveau bas de carburant ou d'huile. 2. Contact d'allumage en position d'arrêt 'Off' 3. Bougie d'allumage défectueuse. 4. Étrangleur est en mauvaise position. 5. Soupape d'arrêt de carburant en position fermée. 6. Des charges électriques sur l'appareil lors du démarrage. 7. Fil de la bougie d'allumage desserré. 	<ol style="list-style-type: none"> 1. Ajouter du carburant ou de l'huile. 2. Mettre en position de marche 'ON'. 3. Remplacer la bougie d'allumage. 4. Régler l'étrangleur à la position appropriée. 5. Ouvrir la soupape d'arrêt de carburant. 6. Débrancher toute charge électrique de l'appareil. 7. Attacher le fil de la bougie d'allumage.
Aucune puissance électrique	<ol style="list-style-type: none"> 1. Prise électrique défectueuse. 2. Coupe-circuit déclenché. 3. Condensateur défectueux. 4. Cordon électrique défectueux. 5. Coupe-circuit à DDFT déclenché 	<ol style="list-style-type: none"> 1. Faire remplacer par un CSA*. 2. Appuyer sur le coupe-circuit pour le rétablir. 3. Faire remplacer le condensateur par un CSA*. 4. Réparer ou remplacer le cordon électrique. 5. Appuyer sur le coupe-circuit pour le rétablir.
Le coupe-circuit déclenche continuellement	<ol style="list-style-type: none"> 1. Surcharge. 2. Cordons ou équipement défectueux. 	<ol style="list-style-type: none"> 1. Réduire la charge électrique. 2. Vérifier s'il y a des fils endommagés, dénudés ou effilochés sur l'équipement. Les remplacer au besoin.
La génératrice surchauffe	<ol style="list-style-type: none"> 1. Génératrice surchargée. 2. Aération insuffisante. 	<ol style="list-style-type: none"> 1. Réduire la charge électrique.
La poignée ne se plie pas facilement.	<ol style="list-style-type: none"> 1. <i>L'endroit où la poignée tourne dans les supports n'est pas lubrifié.</i> 	<ol style="list-style-type: none"> 1. Lubrifiez l'endroit avec une huile légère. 2. Desserrez le boulon passant à travers la poignée sur les deux côtés.

*CSA = Centre de service après-vente

GARANTIE LIMITÉE

PORTER-CABLE CORPORATION garantit à l'acheteur original que tous les produits couverts par cette garantie sont exempts de défauts de matériaux et de fabrication. Les produits couverts par cette garantie comprennent les compresseurs d'air, les outils pneumatiques, les pièces de rechange, les laveuses à pression et les génératrices dont les périodes de garantie sont les suivantes :

3 ANS - Garantie limitée sur les pompes de compresseurs d'air sans huile, à 2 étages, fonctionnant à 1 725 tr/min.

2 ANS - Garantie limitée sur les pompes de compresseurs d'air lubrifiées à l'huile.

1 AN - Garantie limitée pour toutes les autres composantes des compresseurs d'air .

2 ANS - Garantie limitée sur les alternateurs des génératrices électriques.

2 ANS - Garantie limitée sur les outils.

1 AN - Garantie limitée sur les laveuses à pression utilisées comme bien de consommation (c.-à-d. utilisées seulement à des fins personnelles ou résidentielles).

90 JOURS - Laveuses à pression utilisées à des fins commerciales (c.-à-d. produisant un revenu) et pièces de rechange.

1 AN - Garantie limitée sur tous les accessoires.

Porter-Cable réparera ou remplacera, à sa discrétion, les produits ou composants s'étant avérés défectueux dans les limites de la période de garantie. Les services seront effectués en respectant l'ordre normal des travaux, lors d'une journée ouvrable, aux installations du Centre de service après-vente et selon la disponibilité des pièces de rechange nécessaires. Toute décision prise par **Porter-Cable** en ce qui concerne cette garantie limitée est finale.

Cette garantie vous donne certains droits particuliers. Il se peut que vous ayez d'autres droits, variant d'une province à l'autre et d'un état à l'autre.

RESPONSABILITÉ DE L'ACHETEUR D'ORIGINE (utilisateur initial) :

- Pour faire une réclamation de garantie pour ce produit, NE retournez PAS le produit au détaillant. Le produit doit être évalué par le personnel d'un Centre de service après-vente agréé de **Porter-Cable**. Pour connaître l'emplacement du Centre de service après-vente agréé de **Porter-Cable** le plus près de chez vous, composez le 1-888-559-8550, 24 heures par jour, 7 jours par semaine.
- Conservez le reçu de caisse original comme preuve d'achat pour toute réparation sous garantie.
- Appliquez tous soins raisonnables lors de l'utilisation et de l'entretien du produit, conformément aux recommandations dans le ou les guide(s) de l'utilisateur.
- Livrez ou expédiez le produit au Centre de service après-vente agréé de **Porter-Cable** le plus proche. Le fret doit, le cas échéant, être acquitté par l'acheteur.
- Les compresseurs d'air à réservoir de 60 et 80 gallons (227 et 303 litres) seront inspectés sur les lieux de leur installation. Veuillez communiquer avec le Centre de service après-vente agréé de **Porter-Cable** le plus proche offrant le service sur place, pour faire les arrangements nécessaires dans un tel cas.
- Tout acheteur qui n'est pas satisfait de l'intervention du Centre de service après-vente agréé de **Porter-Cable** est prié de communiquer directement avec **Porter-Cable**.

CETTE GARANTIE NE COUVRE PAS CE QUI SUIT :

- Marchandise remise à neuf, utilisée comme équipement de location ou modèles de salon ou d'exposition.
- Marchandise ayant cessé de fonctionner en raison d'usure normale, d'usage abusif*, d'exposition au froid, à la chaleur, à la pluie, à l'humidité excessive ou au gel, d'usage de produits chimiques non appropriés, de négligence, d'accidents, de tout manquement à observer les directives d'utilisation du produit figurant dans le ou les guide(s) de l'utilisateur fournis avec le produit, d'un entretien non approprié, de l'utilisation d'accessoires ou de pièces non recommandées par **Porter-Cable**, ou de réparations ou de modifications non approuvées.
- * Un compresseur d'air pompant durant plus de 50% d'une heure sera considéré comme ayant subi un usage abusif puisque sa capacité est inférieure à la demande d'air exigée.
- Frais de réparation et de transport de marchandise non reconnue comme étant défectueuse.
- Coûts associés à l'assemblage, l'ajout nécessaire d'huile, les réglages ou autres frais d'installation et de mise en marche.
- Pièces ou accessoires consommables, fournis avec le produit, et qui deviennent inutilisables ou inopérants après une période raisonnable d'utilisation, y compris, mais sans être limités aux disques ou tampons de ponçage, lames de scie et de ciseaux, pierres meulières, ressorts, burins, buses, joints toriques, gicleurs d'air, rondelles et accessoires similaires.
- Marchandise vendue par **Porter-Cable** mais fabriquée par et identifiée comme étant le produit d'une autre compagnie. Dans ce cas, la garantie du fabricant du produit s'applique, si une telle garantie est offerte.
- **TOUTE PERTE, TOUT DOMMAGE DIRECT OU INDIRECT OU TOUT FRAIS POUVANT RÉSULTER D'UN DÉFAUT QUELCONQUE, D'UNE DÉFAILLANCE OU D'UN MAUVAIS FONCTIONNEMENT DU PRODUIT.** Certaines provinces et certains états ne permettent pas l'exclusion ni la limitation des dommages directs ou indirects. Par conséquent, il se peut que les exclusions ou limitations mentionnées ci-dessus ne s'appliquent pas dans votre cas.
- **TOUTES GARANTIES IMPLICITES, Y COMPRIS CELLES PORTANT SUR LA VALEUR MARCHANDE ET L'APPLICATION DU PRODUIT POUR UNE UTILISATION PARTICULIÈRE, SONT LIMITÉES À UN AN À COMPTER DE LA DATE D'ACHAT D'ORIGINE.** Certaines provinces et certains états ne permettent pas la limitation de la période d'une garantie implicite. Par conséquent, il se peut que les limitations mentionnées ci-dessus ne s'appliquent pas dans votre cas.

PORTER-CABLE

Porter-Cable Corporation
Jackson, TN
1-888-559-8550

REMARQUE

REMARQUE

FAITS SAILLANTS

COMPOSEZ LE 1-800-559-8550 POUR CONNAÎTRE L'EMPLACEMENT D'UN CENTRE DE SERVICE APRÈS-VENTE AUTORISÉ PRÈS DE CHEZ VOUS POUR LES RÉPARATIONS ET L'ACHAT DE PIÈCES DE RECHANGE.

ESSENCE POUR MOTEUR	Utiliser de l'essence pure et propre ayant un indice d'octane minimum de 87. Ne pas ajouter de l'essence lorsque le moteur tourne ou tout de suite après l'arrêt du moteur.
HUILE POUR MOTEUR	Consulter le Guide de l'utilisateur du moteur pour les recommandations concernant l'huile. La plupart des génératrices sont équipées d'un dispositif d'arrêt suite à un niveau bas d'huile. Si la quantité d'huile est insuffisante ou si la génératrice n'est pas sur une surface à niveau, le moteur ne démarrera pas.
PUISSANCE EN WATTS	Effectuer les calculs de puissance en watts avant l'utilisation. Consulter le Guide général de l'utilisateur pour les directives.
CÂBLAGE	Contacteur un électricien pour les instructions sur le câblage. Si la génératrice sera câblée dans une maison, il faut utiliser un interrupteur bidirectionnel et une rallonge à service intense.
RÉGULATEUR DE TENSION DE BATTERIE	Utiliser une batterie standard (12 V) pour équipement d'entretien de pelouse et de jardin, ayant un ampérage d'au moins 45 Ah ou 210 CCA. La tension et la fréquence sont contrôlées par le régime du moteur. Ne pas modifier le réglage du papillon des gaz ou du régulateur de vitesse afin de tenter d'obtenir un meilleur rendement. Cela modifie les réglages effectués à l'usine et endommagera tout appareil branché à la génératrice. S'assurer qu'un protecteur contre les surcharges de tension/d'ampérage est utilisé lorsque l'équipement sensible à la tension est alimenté (tels que des téléviseurs, ordinateurs, chaînes stéréo etc.). Si aucun protecteur n'est utilisé, les dommages à un tel équipement NE SONT PAS couverts par la garantie.
MOTEUR	Ne pas effectuer des réglages ou tenter d'entretenir le moteur sans avoir consulté le Guide de l'utilisateur du moteur ou un centre de service après-vente autorisé pour moteurs.
ENTREPOSAGE	Ajouter un agent de stabilisation au réservoir à essence et faire tourner le moteur pendant 5 minutes avant l'entreposage. Lorsque la génératrice est entreposée pour une période prolongée, la faire fonctionner à tous les 60 jours pendant au moins 10 minutes, sans brancher une charge. Ceci empêche la perte du magnétisme résiduel qui produit l'électricité.
FONCTION- NEMENT	Faire fonctionner la génératrice, sans charge, pendant 5 minutes afin de permettre la stabilisation du moteur et de la tête de la génératrice. S'assurer que la rallonge utilisée est d'une longueur appropriée. Consulter les sections du Guide de l'utilisateur portant sur la mise à la terre et sur les rallonges. Si la génératrice alimente des appareils utilisant la moitié de la puissance nominale en watts, on dit qu'elle fonctionne à une charge de 50%. Si les appareils alimentés utilisent toute la puissance nominale en watts disponible, elle fonctionne à une charge de 100%.

TOUJOURS CONSULTER LES GUIDES FOURNIS AVEC CET APPAREIL.