

# PORTER CABLE®

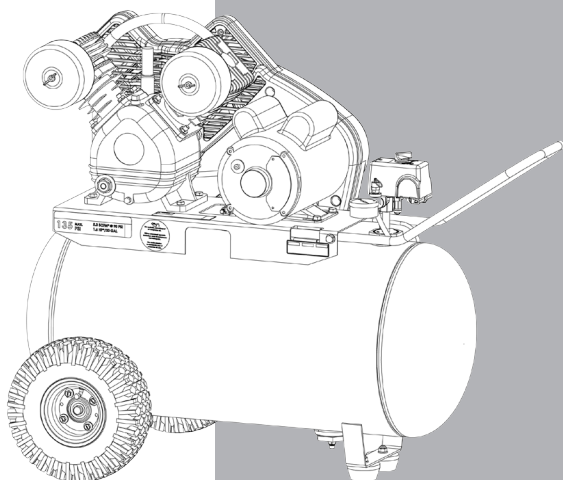
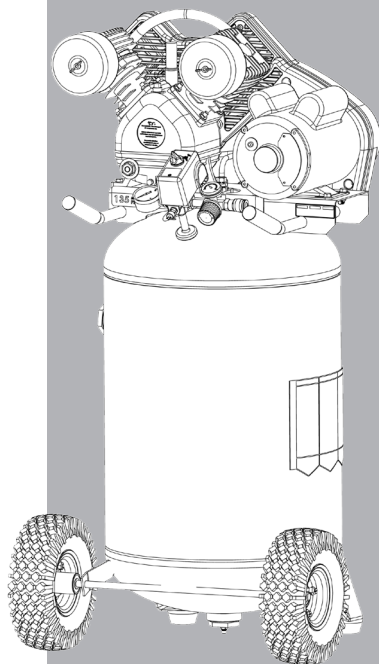
## Single Stage, Belt Drive, Electric Air Compressors

Compresseurs d'air  
électriques à un étage à  
entraînement par courroie

Compresores eléctricos de  
aire, de una sola etapa y  
accionamiento por correa

Instruction manual  
Manuel d'instructions  
Manual de instrucciones

Français : Page 31  
Español: Página 59



PXCMLC1683066  
PXCMPCC1682066

200-2886\_Rev. B\_5-13

## TABLE OF CONTENTS

SAFETY GUIDELINES .....	3-6	MAINTENANCE .....	14-17
SPECIFICATION CHART .....	6	Draining the Tank .....	14
OVERVIEW .....	6	Checking the Oil .....	14
Basic Air Compressor Components .....	6	Changing the Oil .....	14
ASSEMBLY .....	7	Belt Tension .....	15
Assembling the Compressor .....	7	Pulley Alignment .....	16
COMPRESSOR CONTROLS .....	8	Cleaning the Air Filter .....	17
ELECTRICAL POWER REQUIREMENTS .....	9	Checking the Relief Valve .....	17
Electrical Wiring .....	9	Testing for Leaks.....	17
Extension Cords .....	9	Storage .....	17
Grounding Instructions .....	9-10	SERVICE INTERVAL .....	17
MOTOR .....	10-11	TROUBLESHOOTING CHART .....	18-19
Motor Reset Switch .....	10-11	PARTS DRAWINGS AND PARTS LISTS.....	20-25
BREAK-IN OF THE PUMP.....	11	WARRANTY .....	26-28
OPERATING INSTRUCTIONS .....	12-13	GLOSSARY OF TERMS .....	29
Daily Startup .....	13	PARTS AND SERVICE .....	30
Shutdown.....	13		

## TABLE DES MATIÈRES

CONSIGNES DE SÉCURITÉ .....	3, 31-33	Mise en marche quotidienne .....	40
TABLEAU DES SPÉCIFICATIONS .....	33	Arrêt .....	40
VUE D'ENSEMBLE .....	33-34	ENTRETIEN .....	41-44
Éléments de base du compresseur d'air. 33-34		Vidange du réservoir.....	41
ASSEMBLAGE.....	34	Vérification du niveau d'huile .....	41
Assemblage du compresseur .....	34	Vidange d'huile .....	41-42
COMMANDES DU COMPRESSEUR .....	35	Tension de la courroie.....	42
SPÉCIFICATIONS DE L'ALIMENTATION		Alignement de la poulie .....	43
ÉLECTRIQUES .....	36-37	Nettoyage du filtre à air .....	44
Câblage électrique.....	36	Vérification de soupape de décharge .....	44
Rallonges .....	36	Essai d'étanchéité.....	44
Instructions de mise à la terre .....	36-37	Entreposage.....	44
REMISE EN MARCHÉ ET CÂBLAGE DU		ENTRETIEN PÉRIODIQUE.....	44
MOTEUR .....	37-38	DÉPANNAGE.....	45-46
Interrupteur de remise en marche du		GLOSSAIRE DES TERMES .....	47
moteur.....	37-38	DESSIN DES PIÈCES ET LISTE DE PIÈCES.....	48-53
RODAGE DE LA POMPE.....	38	GARANTIE LIMITÉE .....	54-57
MODE D'EMPLOI .....	39-40	PIÈCES ET RÉPARATIONS.....	58

## INDICE

PAUTAS DE SEGURIDAD .....	3, 59-61	Parada .....	68
TABLEAU DES SPÉCIFICATIONS .....	61	MANTENIMIENTO.....	69-72
RESUMEN GENERAL.....	61	Desagüe del tanque.....	69
Componentes básicos del compresor		Verificación del nivel de aceite.....	69
de aire .....	61	Cambio de aceite.....	69-70
MONTAJE .....	62-63	Tensión de la correa.....	70
Montaje del compresor.....	62-63	Alineación de la polea.....	71
CONTROLES DEL COMPRESOR .....	63	Limpieza del filtro de aire.....	72
REQUERIMIENTOS DE ALIMENTACIÓN		Revisión de la válvula de alivio .....	72
ELÉCTRICA .....	64-65	Detección de fugas.....	72
Cableado eléctrico.....	64	Almacenamiento .....	72
Cordones prolongadores .....	64	INTERVALOS DE SERVICIO.....	72
Instrucciones de conexión a tierra.....	64-65	CUADRO DE DETECCIÓN DE FALLOS .....	73-74
CONSTRUCCIÓN DEL CABLE ELÉCTRICO		GLOSARIO DE TERMINOS .....	75
MOTOR .....	64-65	ESQUEMA DE LA PIEZAS Y LISTA DE LAS	
Interruptor de restablecimiento del motor..	64-65	PIEZAS .....	76-81
MARCHA INICIAL DEL BOMBA.....	66	GARANTÍA LIMITADA .....	82-84
INSTRUCCIONES OPERATIVAS .....	67-68	REPUESTOS Y SERVICIO.....	85
Arranque diario .....	68		

## SAFETY GUIDELINES

The following information relates to protecting YOUR SAFETY and PREVENTING EQUIPMENT PROBLEMS. To help you recognize this information, we use the following symbols. Please read the manual and pay attention to these sections.

**⚠ DANGER** Indicates an imminently hazardous situation which, if not avoided, **will** result in **death or serious injury**.

**⚠ WARNING** Indicates a potentially hazardous situation which, if not avoided, **could** result in **death or serious injury**.

**⚠ CAUTION** Indicates a potentially hazardous situation which, if not avoided, **may** result in **minor or moderate injury**.

## CONSIGNES DE SÉCURITÉ

Les informations suivantes concernent VOTRE SÉCURITÉ et LA PROTECTION DU MATÉRIEL CONTRE LES PANNES. Pour vous aider à identifier la nature de ces informations, nous utilisons les symboles suivants. Veuillez lire le manuel et prêter attention à ces sections.

**⚠ DANGER** DANGER POTENTIEL POUVANT ENTRAÎNER DE GRAVES BLESSURES OU LA MORT.

**⚠ AVERTISSEMENT** DANGER POUVANT CAUSER DES BLESSURES GRAVES VOIRE MORTELLES.

**⚠ ATTENTION** DANGER POUVANT CAUSER DES BLESSURES MOYENNEMENT GRAVES OU L'ENDOMMAGEMENT DE L'APPAREIL.

## PAUTAS DE SEGURIDAD

La información que sigue se refiere a la protección de SU SEGURIDAD y la PREVENCIÓN DE PROBLEMAS DEL EQUIPO. Como ayuda para reconocer esta información, usamos los siguientes símbolos. Lea por favor el manual y preste atención a estas secciones.

**⚠ PELIGRO** UN POSIBLE RIESGO QUE CAUSARÁ LESIONES GRAVES O LA PÉRDIDA DE LA VIDA.

**⚠ ADVERTENCIA** UN RIESGO POTENCIAL QUE PODRÍA PROVOCAR GRAVES LESIONES O MUERTE.

**⚠ PRECAUCION** UN RIESGO POTENCIAL QUE PODRIA PROVOCAR LESIONES LEVES O DA—AR EL EQUIPO.

## ⚠️ WARNING

Read and understand all safety precautions in this manual before operating. Failure to comply with instructions in this manual could result in personal injury, property damage, and/or voiding of your warranty. The manufacturer WILL NOT be liable for any damage because of failure to follow these instructions.



**1. RISK OF FIRE OR EXPLOSION.** Never spray flammable liquids in a confined area. It is normal for the motor and pressure switch to produce sparks while operating. If sparks come into contact with vapors

from gasoline or other solvents, they may ignite, causing fire or explosion. Always operate the compressor in a well-ventilated area. Do not smoke while spraying. Do not spray where sparks or flame are present. Keep compressor as far from spray area as possible.



**2. RISK OF ELECTRICAL SHOCK.** Never use an electric air compressor outdoors when it is raining or on a wet surface,

as it may cause an electric shock.



**3. RISK OF INJURY.** This unit starts automatically. ALWAYS shut off the compressor, remove the plug from the outlet, and

bleed all pressure from the system before servicing the compressor, and when the compressor is not in use. Do not use the unit with the shrouds or beltguard removed. Serious injury could occur from contact with moving parts.



**4. RISK OF BURSTING.** Check the manufacturer's maximum pressure rating for air tools and accessories. Compressor outlet

pressure must be regulated so as to never exceed the maximum pressure rating of the tool. Relieve all pressure through the hose before attaching or removing accessories.



**5. RISK OF BURNS.** High temperatures are generated by the pump and manifold. To

prevent burns or other injuries, DO NOT touch the pump, manifold or transfer tube while the pump is running. Allow them to cool before handling or servicing. Keep children away from the compressor at all times.



**6. RISK TO BREATHING.** Be certain to read all labels when you are spraying paints or toxic materials, and follow the safety

instructions. Use a respirator mask if there is a chance of inhaling anything you are spraying. Read all instructions and be sure that your respirator mask will protect you. Never directly inhale the compressed air produced by a compressor. It is not suitable for breathing purposes.



**7. RISK OF EYE INJURY.**

Always wear ANSI Z87.1 approved safety goggles when

using an air compressor. Never point any nozzle or sprayer toward a person or any part of the body. Equipment can cause serious injury if the spray penetrates the skin.



**8. RISK OF BURSTING.** Do not adjust the relief valve for any reason. Doing so voids all warranties. The relief valve has

been pre-set at the factory for the maximum pressure of this unit. Personal injury and/or property damage may result if the relief valve is tampered with.



**9. RISK OF BURSTING.** Do not use plastic or pvc pipe for compressed air. Use only galvanized steel pipe and fittings

for compressed air distribution lines.



**10. RISK TO HEARING.** Always wear hearing protection when using an air compressor. Failure

to do so may result in hearing loss.



**11.** The power cord on this product contains lead, a chemical known to the State of California to cause cancer, and

birth defects or other reproductive harm.

**Wash hands after handling.**

**NOTE: ELECTRICAL WIRING.** Refer to the air compressor's serial label for the unit's voltage and amperage requirements.

Ensure that all wiring is done by a licensed electrician, in accordance with the National Electrical code.

## **DANGER**



### **RISK OF BURSTING.**

**Air Tank:** On February 26, 2002, the U.S. Consumer Product Safety Commission published Release # 02-108 concerning air compressor tank safety:

Air compressor receiver tanks do not have an infinite life. Tank life is dependent upon several factors, some of which include operating conditions, ambient conditions, proper installations, field modifications, and the level of maintenance. The exact effect of these factors on air receiver life is difficult to predict.

If proper maintenance procedures are not followed, internal corrosion to the inner wall of the air receiver tank can cause the air tank to unexpectedly rupture allowing pressurized air to suddenly and forcefully escape, posing risk of injury to consumers.

Your compressor air tank must be removed from service by the end of the year shown on your tank warning label.

The following conditions could lead to a weakening of the air tank, and result in a violent air tank explosion:

#### **WHAT CAN HAPPEN**

- Failure to properly drain condensed water from air tank, causing rust and thinning of the steel air tank.
- Modifications or attempted repairs to the air tank.
- Unauthorized modifications to the safety valve, or any other components which control air tank pressure.

#### **HOW TO PREVENT IT**

- Drain air tank daily or after each use. If air tank develops a leak, replace it immediately with a new air tank or replace the entire compressor.
- Never drill into, weld or make any modifications to the air tank or its attachments. Never attempt to repair a damaged or leaking air tank. Replace with a new air tank.
- The air tank is designed to withstand specific operating pressures. Never make adjustments or parts substitutions to alter the factory set operating pressures.

## **WARNING**

1. Drain the moisture from the tank on a daily basis. A clean, dry tank will help prevent corrosion.
2. Pull the pressure relief valve ring daily to ensure that the valve is functioning properly, and to clear the valve of any possible obstructions.
3. To provide proper ventilation for cooling, the compressor must be kept a minimum of 12 inches (31 cm) from the nearest wall, in a well-ventilated area.
4. To prevent damage to tank and compressor on stationary models, the tank must be shimmed so the pump base is level within 1/8" to distribute oil properly. All feet must be supported, shimming where necessary, prior to attaching to the floor. Fasten all feet to floor. We also recommend the use of vibration pads (094-0137) under tank feet.
5. Fasten the compressor down securely if transporting is necessary. Pressure must be released from the tank before transporting.

6. Protect the air hose from damage and puncture. Inspect them weekly for weak or worn spots, and replace if necessary.

7. To reduce the risk of electric shock, do not expose to rain. Store indoors.

## ⚠ WARNING

**CALIFORNIA PROPOSITION 65 WARNING:** This product contains chemicals known to the State of California to cause cancer, birth defects and/or reproductive harm.

## SPECIFICATION CHART

MODEL NO.	RUNNING H.P.	TANK CAPACITY GALLONS	VOLTAGE/ AMPS/ PHASE	KICK-IN PRESSURE	KICK-OUT PRESSURE
PXCMPC1682066	1.6	20 (75,7)	120/240/ 15/7.5/ 1	105 (7,24 bar)	135 (9,31 bar)
PXCMLC1683066	1.6	30 (113,6)	120/240/ 15/7.5/ 1	105 (7,24 bar)	135 (9,31 bar)

## BASIC AIR COMPRESSOR COMPONENTS

The basic components of the air compressor are the electric motor, pump, pressure switch and tank (see **Fig. 1**).

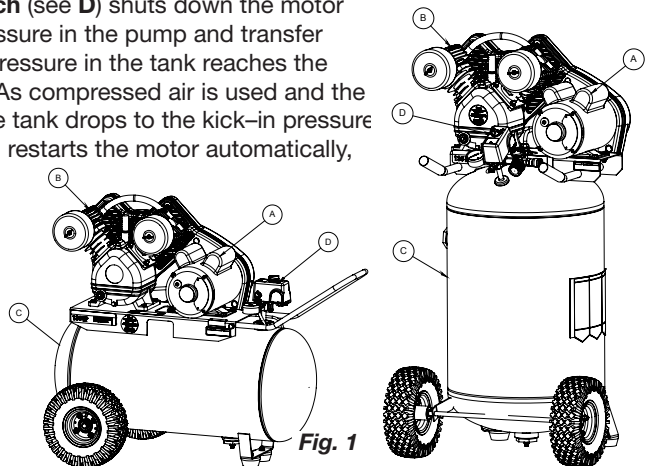
The **electric motor** (see **A**) powers the pump. The electric motor is equipped with an **overload protector** to help prevent possible motor burnout. If the motor becomes overheated, the overload protector will shut it down. Should this occur, allow the motor to cool for 10-15 minutes, then press (never force) the motor reset switch to restart the motor.

The **pump** (see **B**) compresses the air and discharges it into the tank.

The **tank** (see **C**) stores the compressed air.

The **pressure switch** (see **D**) shuts down the motor and relieves air pressure in the pump and transfer tube when the air pressure in the tank reaches the kick-out pressure. As compressed air is used and the pressure level in the tank drops to the kick-in pressure the pressure switch restarts the motor automatically, without warning and the pump resumes compressing air.

The **air line outlet** (see **E**). Connect 1/4" NPT air hose to this outlet.



**Fig. 1**

# ASSEMBLY

**STOP**

## PUMP SHIPPED WITHOUT OIL.

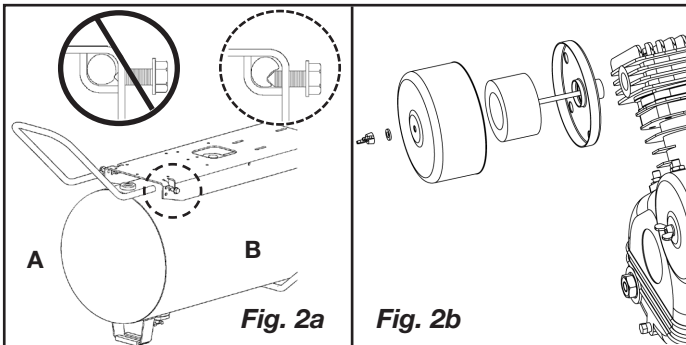
*Fill pump to correct mark and check often.*

*Use synthetic blend, nondetergent air compressor oil.*

1. Unpack the air compressor. Inspect the unit for damage. If the unit has been damaged in transit, contact the carrier and complete a damage claim. Do this immediately because there are time limitations to damage claims.

The carton should contain:

- air compressor
  - operator/parts manual
  - air filter assembly
  - 12 oz. bottle of oil.
2. Check the compressor's serial label to ensure that you have received the model ordered, and that it has the required pressure rating for its intended use.
  3. Attach handle to compressor as shown in Fig 2a.
  4. Attach air filter assemblies to pump as shown in Fig. 2b.
  5. Locate the compressor according to the following guidelines:
    - a. Position the compressor near a grounded electrical outlet (see **GROUNDING INSTRUCTIONS**. **Avoid using an extension cord**; use a longer hose instead.
    - b. The flywheel side of the compressor must be at least 12 inches (31 cm) from any wall or obstruction, in a clean, well-ventilated area, to ensure sufficient air flow and cooling.
    - c. In cold climates, store portable compressors in a heated building when not in use. This will reduce problems with lubrication, motor starting and freezing of water condensation.
    - d. The compressor must be level to ensure proper lubrication of the pump and good drainage of the moisture in the tank.
  6. Connect an air hose (not included) to the manifold outlet.



## COMPRESSOR CONTROLS

Refer to Fig. 3.

### **PRESSURE switch** (see A)

This switch turns on the compressor. It is operated manually, but when in the ON position, it allows the compressor to start up or shut down automatically, without warning, upon air demand. ALWAYS set this switch to OFF when the compressor is not being used, and before unplugging the compressor.

### **Pressure Relief Valve** (see B)

If the pressure switch does *not* shut down the motor when pressure reaches the preset level, this valve will pop open automatically to prevent over pressurization. To operate manually, pull the ring on the valve to relieve air pressure in the tank.

### **Tank Pressure Gauge** (see C)

This gauge measures the pressure level of the air stored in the tank. It is not adjustable by the operator, and does *not* indicate line pressure.

### **Air Pressure Regulator** (see D)

This air pressure regulator enables you to adjust line pressure to the tool you are using.

### **⚠ WARNING**

**Never exceed the maximum working pressure of the tool.**

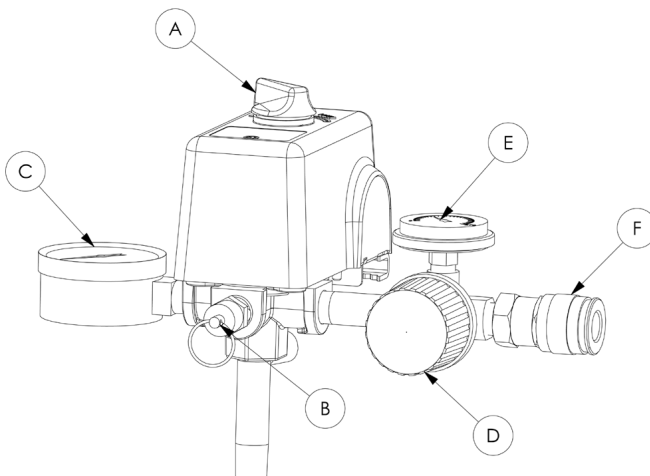
Turn the knob clockwise to increase pressure, and counterclockwise to decrease pressure.

### **Regulated pressure gauge** (see E)

This gauge measures the regulated outlet pressure.

### **Air line outlet** (see F)

Connect 1/4" NPT air hose to this outlet.



**Fig. 3**



# ELECTRICAL POWER REQUIREMENTS

## ELECTRICAL WIRING

Refer to the air compressor's serial label for the unit's voltage and amperage requirements.

### Use a dedicated circuit

**For best performance and reliable starting, the air compressor must be plugged into a dedicated circuit, as close as possible to the fusebox or circuit breaker.** The compressor will use the full capacity of a typical 15 amp household circuit. If any other electrical devices are drawing from the compressor's circuit, the compressor may fail to start. Low voltage or an overloaded circuit can result in sluggish starting that causes the motor overload protection system or circuit breaker to trip, especially in cold conditions.

**NOTE:** A circuit breaker is recommended. If the air compressor is connected to a circuit protected by a fuse, use dual element time delay fuses (Buss Fusetron type "T" only).

## EXTENSION CORDS

**NOTE:** Avoid use of extension cords.

For optimum performance, plug the compressor power cord directly into a grounded wall socket. Do not use an extension cord unless absolutely necessary. Instead, use a longer air hose to reach the area where the air is needed.

If use of an extension cord cannot be avoided, the cord should be no longer than 50 feet and be a minimum wire size of 12 gauge (AWG). Do not use a 16 or 14 gauge extension cord.

Use only a 3-wire extension cord that has a 3-blade grounding plug, and a 3-slot receptacle that will accept the plug on the product. Make sure your extension cord is in good condition. An undersized cord will cause a drop in line voltage, resulting in loss of power and overheating. The smaller the gauge number, the heavier the cord.

## GROUNDING INSTRUCTIONS

### FOR CORD-CONNECTED MODELS:

This product should be grounded. In the event of an electrical short circuit, grounding reduces the risk of electric shock by providing an escape wire for the electric current.

This product is equipped with a cord having a grounding wire with an appropriate grounding plug. The plug must be plugged into an outlet that is properly installed and grounded in accordance with all local codes and ordinance.

**Note: Not all units shipped with power cord.**



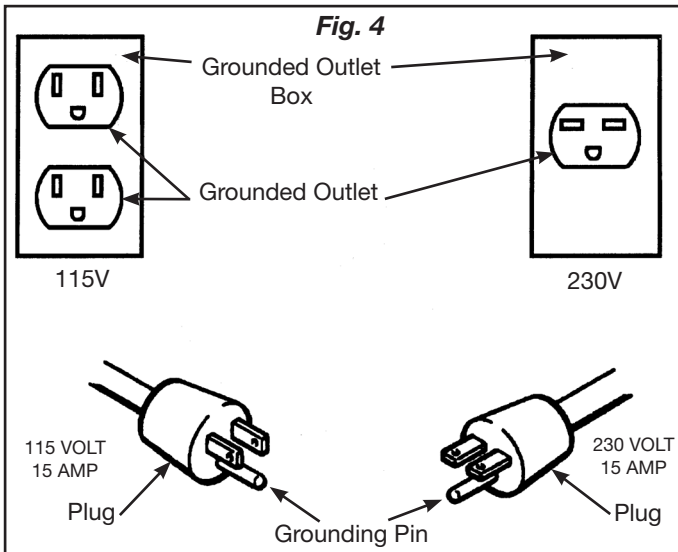
**⚠ DANGER** Improper installation of the grounding plug can result in a risk of electric shock. If repair or replacement of the cord or plug is necessary, do not connect the grounding wire to either flat blade terminal. The wire insulation having an outer surface that is green with or without yellow stripes is the grounding wire.

This product is for use on a nominal 115 or 230 volt circuit. A cord with a grounding plug, as shown here, shall be used.

Make sure that the product is connected to an outlet having the same configuration as the plug (see **Fig. 4**). No adapter should be used with this product.

Check with a licensed electrician if the grounding instructions are not completely understood, or if in doubt as to whether the product is properly grounded. Do not modify the plug provided; if it will not fit the outlet, have the proper outlet installed by a licensed electrician.

**FOR PERMANENTLY CONNECTED MODELS OR MODELS SHIPPED WITHOUT POWER CORD:** This product must be connected to a grounded metallic, permanent wiring system, or an equipment grounding terminal or lead on the product.



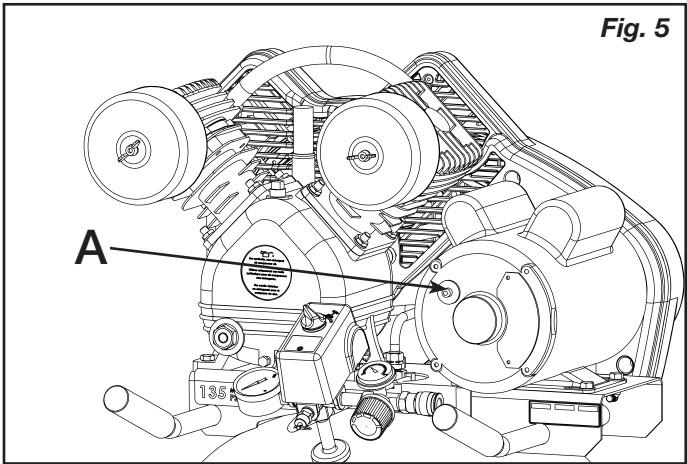
## MOTOR RESET SWITCH AND WIRING

**⚠ WARNING** Ensure that all guards and shrouds are in place before pressing the reset switch to restart the motor.

If the motor shuts down because of overload, wait 10–15 minutes so the motor can cool down, then press (*NEVER force*) the reset switch (see **A**) to restart the motor (see **Fig. 5**).

**NOTE:** Some models are equipped with a dual voltage motor 115/230 volt. Most models are factory wired for 115 volt operation. If conversion from 115 volt to 230 volt is required, refer to the motor nameplate and have the conversion completed by a Licensed Electrician.

**Note:** On stationary models not supplied with a power cord, the electrical power must be wired into the pressure switch by a Licensed Electrician.



## BREAK-IN OF THE PUMP



### **PUMP SHIPPED WITHOUT OIL.**

*Fill pump to correct mark and check often.*

*Use synthetic blend, nondetergent air compressor oil.*

1. Check the level of oil in the pump with the sight glass. The pump oil level must be between **A** and **B** (See **Fig. 6**). Do not overfill or underfill.
2. Turn the pressure switch to the OFF position (see **C**).
3. Open the petcock (see **F**).
4. Plug in the power cord.
5. Turn the pressure switch to the ON position (see **D**). The compressor will start. Allow the compressor to run for 30 minutes, to break in the internal parts.

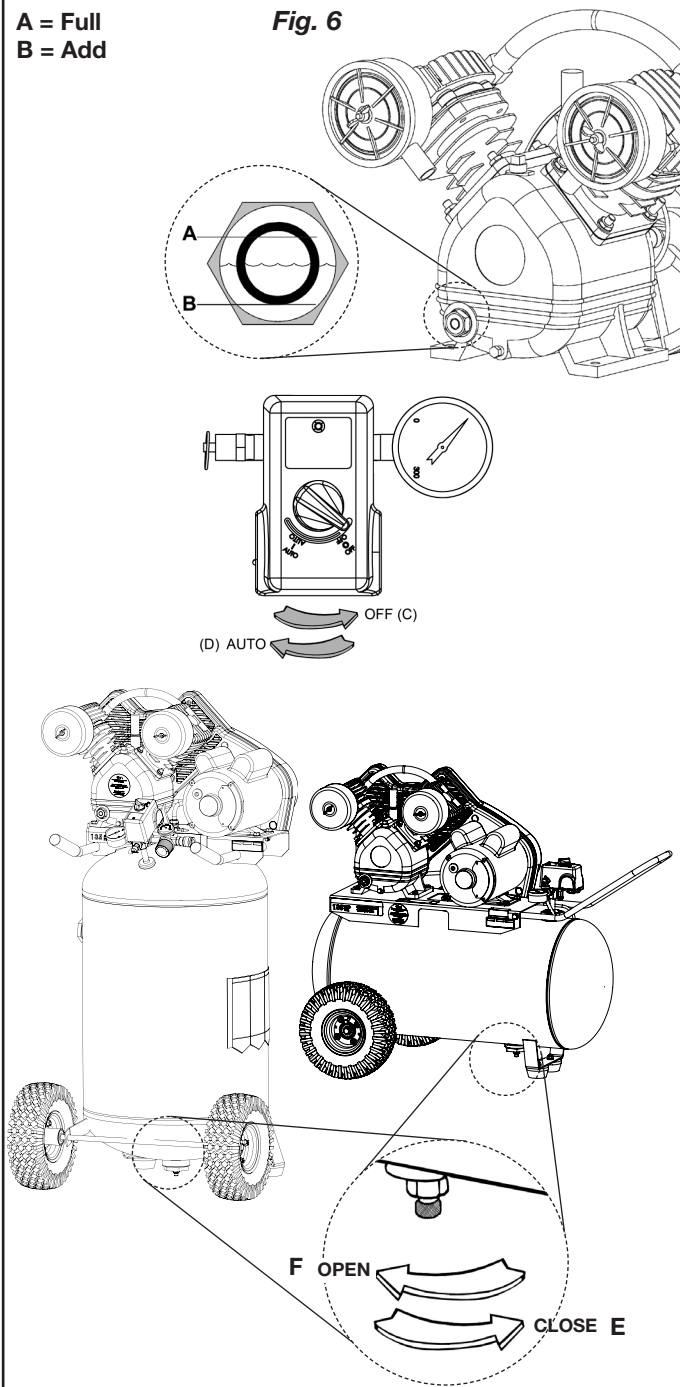
**NOTE:** After about 30 minutes, If the unit does not operate properly, SHUT DOWN IMMEDIATELY, and contact Product Service.

6. After about 30 minutes, turn the pressure switch to the OFF position.
7. Close the petcock (see **E**).
8. Turn the pressure switch to the ON position. The compressor will start and fill the tank to the kick-out pressure and stop.

**NOTE:** As compressed air is used, the pressure switch will restart the motor automatically.

A = Full  
B = Add

Fig. 6



# OPERATING INSTRUCTIONS

## DAILY STARTUP

1. Every day check the sight glass to ensure that the level of oil in the pump is at the required level. The pump oil level must be between **A** and **B** (see **Fig. 6**). Do not overfill or underfill.
2. Turn the pressure switch to the OFF position (see **C**).
3. Close the tank petcock (see **E**).
4. Plug in the power cord.



**⚠ WARNING** High temperatures are generated by the electric motor and the pump. To prevent burns or other injuries, **DO NOT touch the compressor while it is running. Allow it to cool before handling or servicing. Keep children away from the compressor at all times.**

5. Turn the pressure switch to the ON position (see **D**).



**⚠ WARNING** When adjusting from a higher to a lower pressure, turn the knob counterclockwise past the desired setting, then turn clockwise to reach the desired pressure. Do not exceed operating pressure of the tool or accessory being used.

6. If a pressure regulator is present on your compressor, adjust it to the working pressure of the tool.

## SHUTDOWN

1. Turn the pressure switch to the OFF position (see **C**).
2. Unplug the power cord.
3. Reduce pressure in the tank through the outlet hose. You can also pull the relief valve ring (see **G**) and keep it open to relieve pressure in the tank.



**⚠ WARNING** Escaping air and moisture can propel debris that may cause eye injury. Wear safety goggles when opening petcock.

4. Open the petcock (see **F**) to allow moisture to drain from the tank.

# MAINTENANCE

## MAINTENANCE

**⚠ WARNING** To avoid personal injury, always shut off and unplug the compressor and relieve all air pressure from the system before performing any service on the air compressor.

Regular maintenance will ensure trouble-free operation. Your electric powered air compressor represents high-quality engineering and construction; however, even high-quality machinery requires periodic maintenance. The items listed below should be inspected on a regular basis

## DRAINING THE TANK



**⚠ WARNING** Condensation will accumulate in the tank. To prevent corrosion of the tank from the inside, this moisture must be drained at the end of every workday.



**⚠ WARNING** Be sure to wear protective eyewear. Relieve the air pressure in the system and open the petcock on the bottom of the tank to drain.

## CHECKING THE OIL

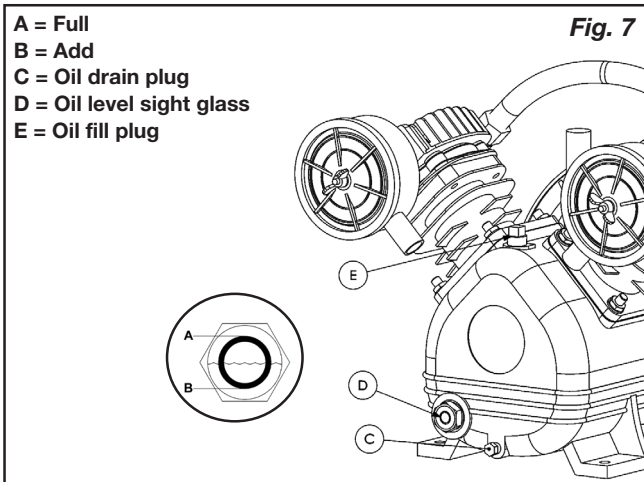
Check the level of oil in the pump with the sight glass. The pump oil level must be between **A** and **B** (See Fig. 7). Do not overfill or underfill.

## CHANGING THE OIL

**NOTE:** Use synthetic blend, nondetergent air compressor oil.

Remove the oil plug (**C**) (Fig. 7) and drain the oil until it slows to a drip, then close. Add oil to the pump by first removing the breather plug (**E**). Add oil until the level viewed through the sight glass (**D**) is between FULL (**A**) and ADD (**B**) (approx. 11.35 oz). Never overfill or underfill the pump.

**NOTE:** The compressor is pre-filled with synthetic oil. Use synthetic blend, nondetergent air compressor oil.



## BELT TENSION AND PULLEY ALIGNMENT

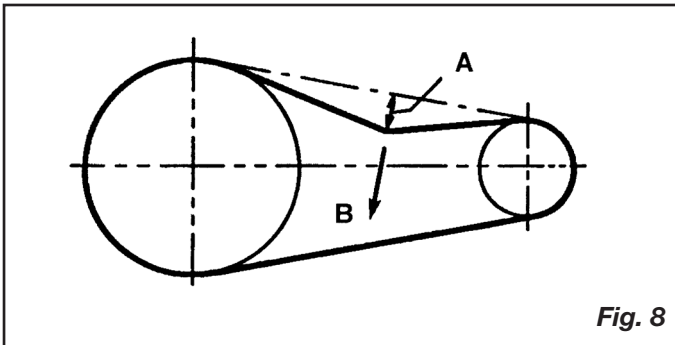
**⚠ WARNING** To avoid personal injury, always shut off and unplug the compressor and relieve all air pressure from the system before performing any service on the air compressor.

**NOTE:** Drive belt tensioning and pulley alignment are done at the same time. They are discussed separately for clarity.

### ADJUSTING DRIVE BELT TENSION

Proper belt tension and pulley alignment must be maintained for maximum drive efficiency and belt life. The correct tension exists if a deflection (see **A**) of 1/2" (13 mm) occurs by placing 5 lb (2.3 kg) of force (see **B**) midway between the motor pulley and the pump flywheel (See **Fig. 8**). This deflection can be adjusted by the following procedure. The pulley should be carefully aligned with the flywheel, and all setscrews should be kept tight.

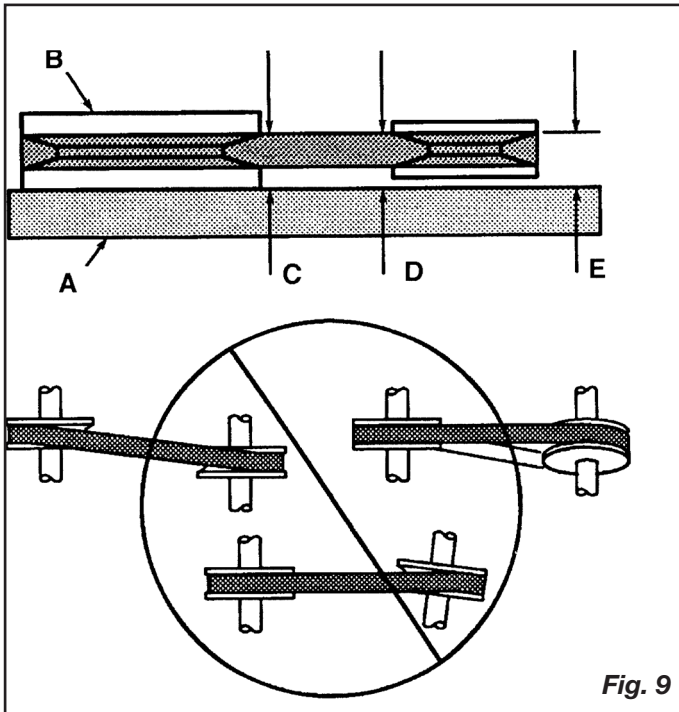
1. Remove the belt guard.
2. Loosen the motor mounting bolts.
3. Shift the motor to the point where the correct deflection exists.
4. Retighten the motor mounting bolts.
5. Check to ensure that the tension remained correct.
6. Reinstall the belt guard. All moving parts must be guarded.



## PULLEY ALIGNMENT

To check pulley alignment, remove the belt guard and place a straightedge (see **A**) against the pump flywheel (see **B**) (See **Fig. 9**). Measure and record the distance from the straightedge to the edge of the drive belt at point C. Then measure the distance from the straightedge to the edge of the drive belt again at points D and E. Both distances should be the same as at point C. If D or E are different from C, there is a misalignment which must be corrected before the compressor is run. To correct a pulley misalignment, use the following procedure.

1. Remove the belt guard.
2. Loosen the motor mounting bolts.
3. Loosen the setscrew on the motor pulley.
4. Align the motor pulley with the pump flywheel ( $C = D = E$ ).
5. Retighten the motor pulley setscrew.
6. Adjust the proper belt tension.
7. Retighten the motor mounting bolts.
8. Reinstall the belt guard. All moving parts must be guarded.



**Fig. 9**



## MAINTENANCE

### CLEANING THE AIR FILTER

A dirty air filter will reduce the compressor's performance and life. To avoid any internal contamination of the pump, the filter should be cleaned frequently, and replaced on a regular basis. Felt filters should be cleaned in warm, soapy water, rinsed, and allowed to air dry before reinstallation. Paper filters should be replaced when dirty. Do not allow the filter to become filled with dirt or paint. If the filter becomes filled with paint, it should be replaced. Direct exposure to dirty conditions or painting areas will void your warranty.

### CHECKING THE RELIEF VALVE

Pull the relief valve daily to ensure that it is operating properly and to clear the valve of any possible obstructions.

### TESTING FOR LEAKS

Check that all connections are tight. A small leak in any of the hoses, transfer tubes, or pipe connections will substantially reduce the performance of your air compressor. If you suspect a leak, spray a small amount of soapy water around the area of the suspected leak with a spray bottle. If bubbles appear, repair or replace the faulty component. Do not overtighten any connections.

### STORAGE

Before storing the compressor for a prolonged period, use an air blow gun to clean all dust and debris from the compressor. Disconnect the power cord and coil it up. Pull the pressure relief valve to release all pressure from the tank. Drain all moisture from the tank. Clean the filter element and filter housing; replace the element if necessary. Drain the oil from the pump crankcase and replace it with new oil. Cover the entire unit to protect it from moisture and dust.

## SERVICE INTERVAL

Perform the following maintenance at the intervals indicated below.

Inspect and clean air filter .....	Daily
Check pump oil level .....	Daily
Change pump oil .....	Every 100 operating hours
..... <i>Use synthetic blend, nondetergent air compressor oil.</i>	
Operate the pressure relief valves .....	Daily
Check belt tension .....	Every 50 operating hours
Drain tank .....	Daily
Check and tighten all bolts (Do not overtighten) .....	Every 100 operating hours

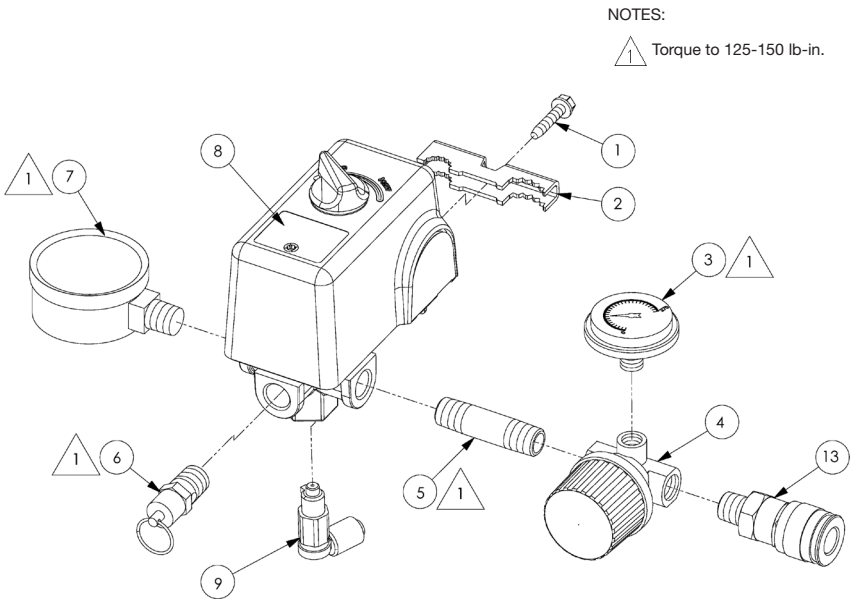
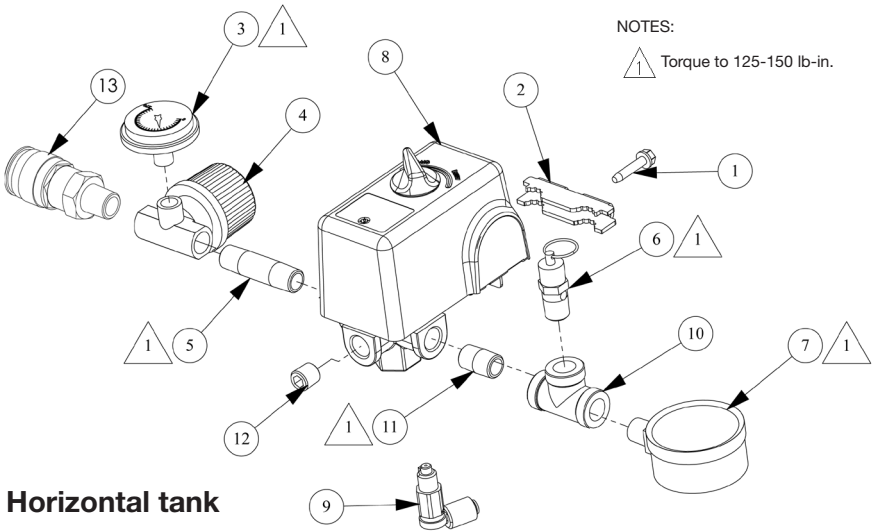
## TROUBLESHOOTING

**Note:** Troubleshooting problems may have similar causes and solutions.

PROBLEM	POSSIBLE CAUSE	SOLUTION
<b>Excessive current draw trips circuit breaker of motor reset switch</b>	Low voltage/motor overload	Check that power supply is adequate and that compressor is on a dedicated circuit. If using extension cord, try using without. If compressor is connected to a circuit protected by a fuse, use dual element time delay fuses (Buss Fusetron type "T" only).
	Drive belt too tight	Readjust belt tension
	Restricted air passages	Inspect and replace transfer tubes or check valve, as required.
<b>Compressor stalls</b>	Low voltage motor	Furnish adequate power.
	Bad check valve	Replace the check valve.
	Seized pump	Contact authorized service center.
<b>Low discharge pressure</b>	Air leaks	Tighten or replace leaking fittings or connections. Do not overtighten.
	Leaking valves	Contact authorized service center.
	Restricted air intake	Clean or replace air filter element(s).
	Blown gaskets	Contact authorized service center.
	Worn piston rings or cylinder	Contact authorized service center.
<b>Compressor pump knocking</b>	Loose engine pulley or compressor flywheel	Retighten pulley and flywheel. Check alignment.
	Low oil level in pump crankcase	Keep oil at proper level at all times.
	Excess carbon on valves or top of piston	Contact authorized service center.

<b>PROBLEM</b>	<b>POSSIBLE CAUSE</b>	<b>SOLUTION</b>
<b>Oil in discharge air</b>	Worn piston rings or cylinder	Contact authorized service center.
	Restricted air intake	Clean or replace the air filter element(s).
	Oil level too high	Reduce to proper level.
<b>Overheating</b>	Poor ventilation	Relocate compressor to an area with cool, dry, well circulated air, at least 12 in. from nearest wall.
	Dirty cooling surfaces	Clean all cooling surfaces thoroughly.
	Restricted air passages	Replace transfer tubes and/or unloader.
<b>Excessive belt wear</b>	Pulley out of alignment	Realign pulley with compressor flywheel.
	Improper belt tension	Readjust.
	Pulley wobbles	Replace the pulley and check for a damaged crankshaft or flywheel.
<b>Compressor won't start in cold temperatures</b>	Too much back pressure in tank	Open petcock when starting motor.
	40W oil in crankcase	Use synthetic blend, nondetergent air compressor oil.
	Compressor too cold	Move compressor to a warmer location.

# PARTS DRAWING



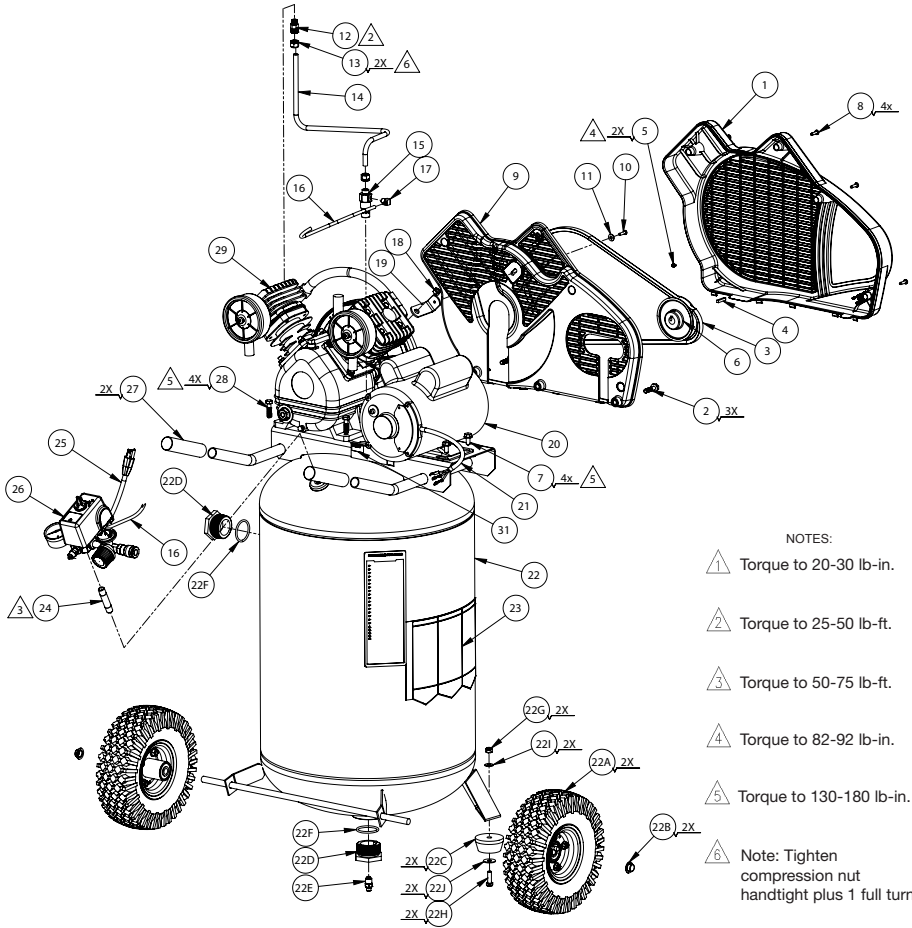
## PARTS LIST

Item	Part No	Qty	Description
1	061-0216	1	Screw
2	071-0033	1	Strain relief
3	032-0056	1	Gauge, 255# 1/8" back connect
4	019-0167	1	Regulator
5	065-0004	1	Nipple, 1/4" x 2"
6	136-0005	1	Valve, ASME
7	032-0025	1	Gauge, 300# 1/4" bottom connect
8	034-0226	1	Switch, pressure includes items 1, 2 & 9
9	136-0090	1	Valve, bleeder
10	069-0004	1	Tee, 1/4" (horizontal only)
11	065-0085	1	Nipple, close 1/4" (horizontal only)
12	062-0035	1	Plug, 1/4" (horizontal only)
13	036-0031	1	Quick connect coupler

## CAPACITORS (TABLE A)

	Start capacitor	Start capacitor cover	Run capacitor	Run capacitor cover
<b>A.O. Smith motor capacitors</b>	166-0143 <i>A.O. Smith p/n - 16622936</i>	166-0145 <i>A.O. Smith p/n - 174588-004</i>	166-0144 <i>A.O. Smith p/n - 628318-313</i>	166-0146 <i>A.O. Smith p/n - 17821153</i>
<b>GE motor capacitors</b>	166-0148 <i>GE p/n - 52A103967P1</i>	166-0150 <i>GE p/n - 111B291AAP3</i>	166-0149 <i>GE p/n - 976B399ASP3</i>	166-0151 <i>GE p/n - 111B276ACP8</i>
<b>Better motor capacitors</b>	166-0180 <i>Better p/n - 0901080</i> or 166-0195 <i>Better p/n - 61B4D250400NNCA</i>	166-0182 <i>Better p/n - 0104045</i>	166-0181 <i>Better p/n - 0901040</i> or 166-0196 <i>Better p/n - CBB60</i>	166-0182 <i>Better p/n - 0104045</i>

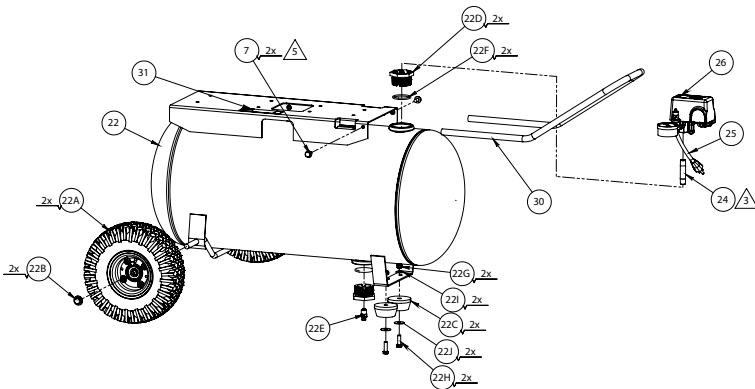
# PARTS DRAWING



NOTES:

- ▲1 Torque to 20-30 lb-in.
- ▲2 Torque to 25-50 lb-ft.
- ▲3 Torque to 50-75 lb-ft.
- ▲4 Torque to 82-92 lb-in.
- ▲5 Torque to 130-180 lb-in.
- ▲6 Note: Tighten compression nut handtight plus 1 full turn.

## Horizontal



## PARTS LIST

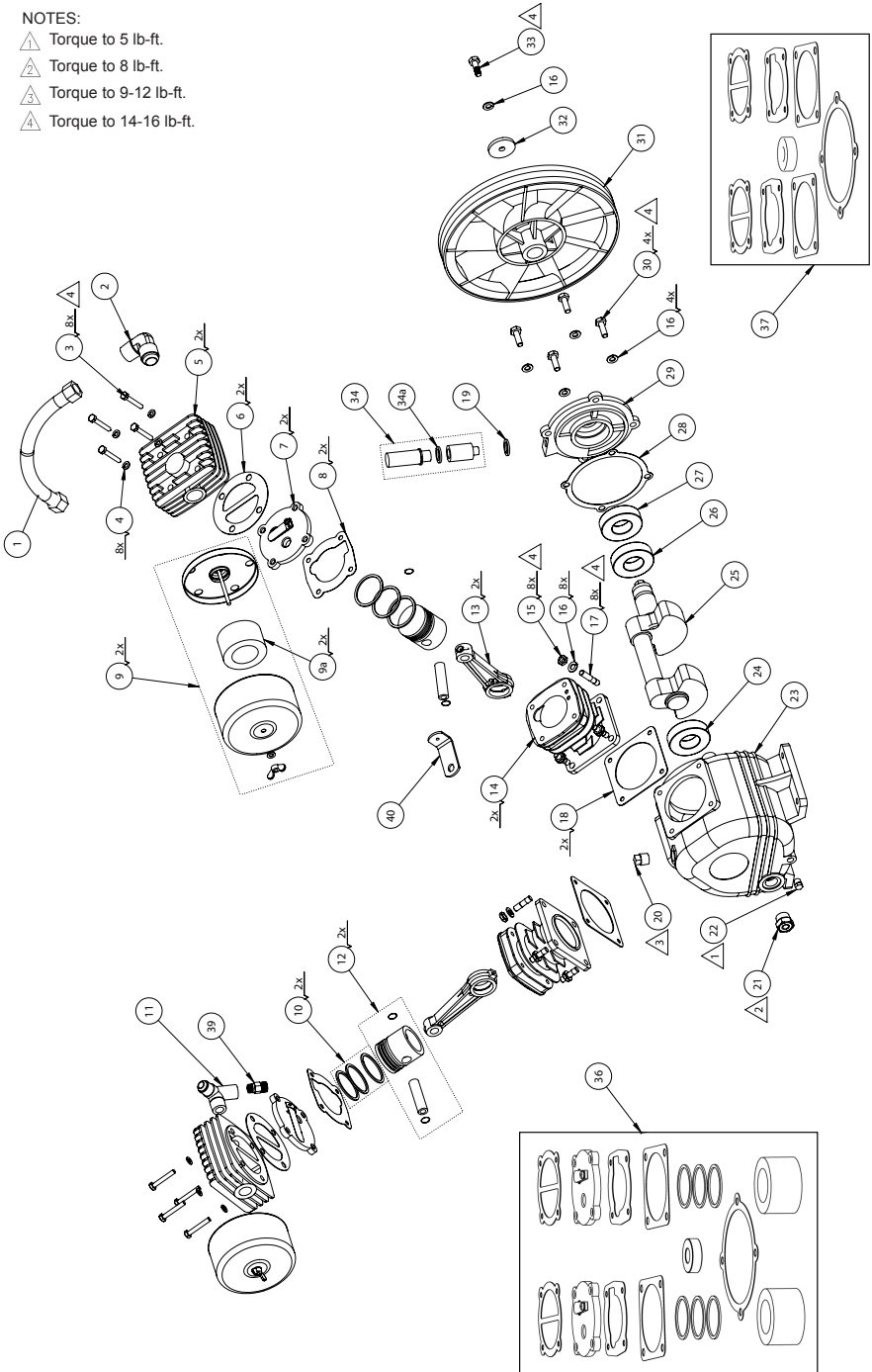
Item	Part No	Qty	Description
1	125-0208	1	Beltguard, outer
2	059-0410	3	Bolt, 5/16-18 x 1.25
3	007-0010	1	V-Belt, 4L-460
4	146-0016	1	Key
5	061-0238	2	Setscrew, 5/16"-18
6	006-0018	1	Pulley
7	059-0012	6	Bolt, 5/16 x 1/2
8	061-0114	4	Screw, #10-14
9	125-0207	1	Beltguard, inner
10	061-0212	1	Screw, #10-32 x 3/4"
11	060-0146	1	Washer, #10
12	068-0092	1	Connector
13	058-0007	2	Nut, 3/8" O.D. tube
14	145-0478	1	Tube, transfer
or	145-0664	1	Tube, transfer (Horizontal)
15	031-0037	1	Check Valve, 1/2" x 3/8"
16	145-0324	1	Tube, bleeder 1/4" x 28"
17	064-0056	1	Elbow, 90° brass
18	058-0174	1	Nut, M8
19	114-0619	1	Bracket, beltguard
20	160-0264	1	Motor (See capacitor table A)
21	026-0233	1	Cord, interconnect
22	**	1	Tank assembly
22A	095-0038	2	Wheel
22B	033-0001	2	Hubcap 1/2"
22C	094-0186	2	Pad
22D	512-0035	2	Bushing, 1-1/2 NPSM x 1/4 NPT
22E	072-0006	1	Petcock
22F	513-0002	2	O-Ring 1-1/2
22G	058-0129	2	Nut, 5/16-18
22H	059-0009	2	Bolt, 5/16 x 1
22I	060-0156	2	Washer, 5/16
22J	060-0202	2	Washer, 5/16 x 1" OD
23	098-3870	1	Label, warning
24	065-0005	1	Nipple, 1/4" x 2-1/2"
25	026-0030	1	Cord, power
26	See page 20-21	1	Manifold assembly
27	093-0031	2	Handle grip (vertical)
28	059-0010	4	Bolt, 5/16 x 1-1/4
29	See pages 24-25	1	Pump assembly
30	112-0031	1	Handle (horizontal)
31	098-2856	1	Label, warning

*\*\* Items are not available as replacement parts.*

# PARTS DRAWING

NOTES:

- ▲ Torque to 5 lb-ft.
- ▲ Torque to 8 lb-ft.
- ▲ Torque to 9-12 lb-ft.
- ▲ Torque to 14-16 lb-ft.





## PARTS LIST

### LPV5145 Pump Assy

Item	Part No	Qty	Description
1	145-0486	1	Tube, with compression nuts
2	065-0107	1	Elbow
3	061-0238	8	Socket head cap screw, M6 x 40mm
4	060-0224	8	Washer, M6
5	042-0121	2	Head, cylinder
6	046-0302	2	Gasket, cylinder head
7	043-0207	2	Valve plate assy
8	046-0303	2	Gasket, cylinder
9	019-0239	2	Filter assembly
9A	019-0240	2	Filter element
10	054-0250	2	Ring Set
11	069-0028	1	Tee fitting
12	048-0121	2	Piston assembly
13	047-0099	2	Rod
14	050-0065	2	Cylinder
15	058-0188	8	Nut, Hex M8
16	060-0222	13	Lock washer, M8
17	059-0240	8	Stud bolt, M8 x 32
18	046-0304	2	Gasket, crankcase
19	060-0195	1	Washer, breather
20	056-0078	1	Oil fill plug
21	032-0072	1	Oil sight glass w/o-ring
22	062-0066	1	Oil drain plug
23	049-0053	1	Crankcase
24	051-0103	1	Bearing, ball 204
25	053-0107	1	Crankshaft
26	051-0104	1	Bearing, ball 205
27	046-0306	1	Oil seal
28	046-0305	1	Gasket, front cover
29	045-0054	1	Carrier
30	059-0415	4	Bolt, M8 x 20
31	044-0068	1	Flywheel, 10.5" A groove
32	060-0225	1	Washer, Flat
33	059-0416	1	Bolt, M8 x 35
34	056-0079	1	Breather
34a	060-0236	1	Washer, breather
35 <i>not shown</i>	146-0026	1	Key
39	068-0092	1	Connector
40	114-0619	1	Bracket

### Available Service Kits

	Part No	Qty	Description
36	165-0277	1	Overhaul kit (includes items 6-8, 9A, 10, 18, 27 and 28)
37	046-0307	1	Gaskets, complete set (includes items 6, 8, 18, 27 & 28)
38	040-0386	1	Pump assembly (includes items 1-35)

## LIMITED WARRANTY

**Porter-Cable Industrial Tools** are warranted from date of purchase.

**2 Year** – Limited warranty on oil-lubricated air compressor pumps.

**1 Year** – Limited warranty on all other air compressor components.

This warranty is not transferable to subsequent owners.

Porter-Cable will repair or replace, without charge, at Porter-Cable's option, any defects due to faulty materials or workmanship. For further detail of warranty coverage and warranty repair information, call 1-(888)-895-4549 or visit [portercable.com](http://portercable.com). This warranty does not apply to accessories or damage caused where repairs have been made or attempted by others. This warranty also does not apply to merchandise sold by PORTER-CABLE which has been manufactured by and identified as the product of another company, such as gasoline engines. Such manufacturer's warranty, if any, will apply. **ANY INCIDENTAL, INDIRECT OR CONSEQUENTIAL LOSS, DAMAGE OR EXPENSE THAT MAY RESULT FROM ANY DEFECT, FAILURE OR MALFUNCTION OF THE PRODUCT IS NOT COVERED BY THIS WARRANTY.** Some states do not allow the exclusion of limitation of incidental or consequential damages, so the above limitation or exclusion may not apply to you. **IMPLIED WARRANTIES, INCLUDING THOSE OF MERCHANTABILITY OR FITNESS FOR A PARTICULAR PURPOSE, ARE LIMITED TO ONE YEAR FROM THE DATE OF ORIGINAL PURCHASE.** Some states do not allow limitations on how long an implied warranty lasts, so the above limitations may not apply to you.

**What the Company Will Do:** (the company) will cover parts and labor to remedy substantial defects due to materials and workmanship during the first year of ownership, with the exceptions noted below. Parts used in repair of whole goods or accessories are warranted for the balance of the original warranty period.

**What is not covered Under This Warranty?** Failures by the original retail purchaser to install, maintain, and operate said equipment in accordance with standard industry practices. Modifications to the product, or tampering with components, or failure to comply with the specific recommendations of the Company set forth in the owner's manual, will render this warranty null and void. The Company shall not be liable for any repairs, replacements, or adjustments to the equipment, or any costs for labor performed by the purchaser without the Company's prior written approval. The effects of corrosion, erosion, surrounding environmental conditions, cosmetic defects, and routine maintenance items, are specifically excluded from this warranty. Routine maintenance items such as: oil, lubricants, and air filters, as well as changing oil, air filters, belt tensioning, etc... fall under the owner's responsibility. Additional exclusions include: freight damage, failures resulting from neglect, accident, or abuse, induction motors when operated from a generator, oil leaks, air leaks, oil consumption, leaky fittings, hoses, petcocks, bleeder tubes, and transfer tubes.

- The following components are considered normal wear items and are not covered after the first year of ownership: Belts, sheaves, flywheels,

check valves, pressure switches, air unloaders, throttle controls, electric motors, brushes, regulators, o-rings, pressure gauges, tubing, piping, fittings, fasteners, wheels, quick couplers, gaskets, seals, air filter housings, piston rings, connecting rods, and piston seals.

- Labor, service calls, and travel charges, are not covered after the first year of ownership on stationary compressors (compressors without handles, or wheels). Repairs requiring overtime, weekend rates, or any other charges beyond the standard shop labor rate are not covered.
- Time required for orientation training for the service center to gain access to the product, or additional time due to inadequate egress.
- Damage caused by incorrect voltage, improperly wired, or failure to have a certified licensed electrician install the compressor, will render this warranty null and void.
- Damage caused from inadequate filter maintenance.
- Pump wear or valve damage caused by using oil not specified.
- Pump wear or damage caused by any oil contamination.
- Pump wear or valve damage caused by failure to follow proper maintenance guidelines.
- Operation below proper oil level or operation without oil.
- Gas Engines, if product is equipped with a gas engine, see engine manual for specific engine manufacturer's warranty coverage.

**Parts purchased separately:** The warranty for parts purchased separately such as: pumps, motors, etc., are as follows:

From Date of Purchase

- All single & two stage pumps 1 year
- Electric motors 90 days
- Universal motor/pump 30 days
- All other parts 30 days
- No return authorization will be issued for electrical components once items are installed.


**How do You Get Service?** In order to be eligible for service under this warranty you must be the original retail purchaser, and provide proof of purchase from one of the Company's dealers, distributors, or retail outlet stores. Portable compressors or components must be delivered, or shipped, to the nearest Authorized Service Center. All associated freight costs and travel charges must be borne by the consumer. Please call our toll free number 1-888-895-4549 for assistance.





THIS WARRANTY GIVES YOU SPECIFIC LEGAL RIGHTS, AND YOU MAY ALSO HAVE OTHER RIGHTS WHICH VARY FROM STATE TO STATE.

THE COMPANY MAKES NO OTHER WARRANTY OR REPRESENTATION OF ANY KIND WHATSOEVER, EXPRESSED OR IMPLIED, EXCEPT THAT OF TITLE. ALL IMPLIED WARRANTIES, INCLUDING ANY WARRANTY OF

MERCHANTABILITY AND FITNESS FOR PARTICULAR PURPOSE ARE HEREBY DISCLAIMED. LIABILITY FOR CONSEQUENTIAL AND INCIDENTAL DAMAGES UNDER ANY AND ALL WARRANTIES, OTHER CONTRACTS, NEGLIGENCE, OR OTHER TORTS IS EXCLUDED TO THE EXTENT EXCLUSION IS PERMITTED BY LAW.

**FREE WARNING LABEL REPLACEMENT:** If your warning labels become illegible or are missing, call 1-(888)-895-4549 for a free replacement.

<p><b>▲ WARNING</b> <b>▲ AVERTISSEMENT</b> <b>▲ ADVERTENCIA</b></p>	<p><b>HOT SURFACES:</b> To reduce the risk of burns - Do not touch exposed metal surfaces.</p> <p><b>SURFACES CHAUDES:</b> Pour réduire le risque de brûlures - Ne pas toucher aux surfaces métalliques exposées.</p> <p><b>SUPERFICIES CALIENTES:</b> Para reducir el riesgo de sufrir quemaduras - No tocar las superficies metálicas expuestas.</p>	
098-2856		

098-3870	<b>▲ WARNING</b>	<b>▲ AVERTISSEMENT</b>	<b>▲ ADVERTENCIA</b>
	Before starting, read and understand the operator manual for safe operation and maintenance.	Avant de commencer, prenez le temps de bien comprendre le manuel de l'opérateur pour une utilisation et un entretien sûrs.	Antes de comenzar, lea y entienda el manual del operador para operar y dar mantenimiento a la unidad de manera segura.
	<b>Risk of fire or explosion</b> —Do not spray a flammable liquid in a confined area or towards a hot surface. • Spray area must be well ventilated. • Do not smoke while spraying or spray where spark or flame is present. • Arching parts—Keep compressor at least 20 feet away from explosive vapors, such as when spraying with a spray gun.	<b>Risque d'incendie ou d'explosion</b> —Ne pas pulvériser de liquide inflammable dans un endroit confiné ou vers une surface chaude. • La zone de pulvérisation doit être correctement ventilée. • Ne pas fumer pendant la pulvérisation et ne jamais pulvériser en présence d'étincelles ou de flammes. • Pièces de voûte - Installer le compresseur à au moins 6 mètres (20 pi) des vapeurs explosives comme lors de l'application de peinture au pistolet.	<b>Riesgo de incendio o explosión</b> —No rocíe líquidos inflamables en áreas confinadas ni hacia superficies calientes. • El área donde se va a rociar debe estar bien ventilada. • No fume mientras rocía, ni rocíe en presencia de chispas o llamas. • Partes que pueden producir arco. Mantenga el compresor al menos a 6 metros (20 pies) de distancia de vapores explosivos, como los que se forman cuando se usa una pistola rociadora.
	<b>Risk of electric shock</b> —Do not expose to rain. Store indoors. • Use a dedicated circuit. If connected to a circuit protected by a fuse, use time delay (marked D) fuses with this product.	<b>Risques de choc électrique</b> —Ne pas exposer à la pluie. Garder à l'intérieur. • Utiliser un circuit distinct. Si l'équipement est connecté à un circuit protégé par fusibles, employer de fusibles de marqué D.	<b>Riesgo de descarga eléctrica</b> —No exponga a la lluvia. Almacene en el interior. • Utilice un circuito dedicado. Si se conecta a un circuito protegido con un fusible, utilice fusibles con retardo (marcado D) con este producto.
	<b>Risk of bursting</b> —Do not adjust regulator to result in output pressure greater than the marked maximum pressure of attachment. If a regulator has not been installed, use only attachments rated at 200 psi or higher. • Rust weakens tank, may cause explosion and severe or fatal injury/property damage. Drain condensed water from tank after each use to reduce rusting. • Never weld on or repair tank—replace by authorized dealer.	<b>Risque d'éclatement</b> —Ne pas régler le régulateur à une pression de sortie supérieure à la pression maximale des accessoires. Si aucun régulateur n'est installé, n'utiliser que des accessoires d'une capacité nominale de 200 psi ou plus. • Les réservoirs affaiblis par la rouille peuvent exploser et entraîner la mort ou de graves blessures et provoquer d'importants dommages. Vidanger l'eau de condensation du réservoir après chaque utilisation afin de réduire la corrosion. Ne jamais souder ni réparer le réservoir - faire remplacer celui-ci par un centre de service agréé.	<b>Riesgo de explosión</b> —No ajuste el regulador de manera que la presión de salida sea mayor que la presión máxima marcada del accesorio. Si no se ha instalado un regulador, use solamente accesorios con presión nominal de 200 psi o más. • La corrosión debilita el tanque, puede causar una explosión y daños materiales graves o lesiones graves o fatales. Drene el agua condensada del tanque después de cada uso para reducir la corrosión. • Nunca solda ni repare un tanque, reemplácelo en un centro de servicio autorizado.
	<b>Risk of injury</b> —Do not direct air stream at body. • Disconnect power and drain all air pressure from tank before servicing and after each use. • Do not use compressed air for breathing. • Wear ANSI Z87 approved eye protection. • Do not operate with supplied guards removed.	<b>Risque de blessure</b> —Ne jamais diriger le jet d'air vers le corps. • Couper l'alimentation électrique et chasser toute pression d'air du réservoir avant l'entretien et après chaque usage. • Ne pas respirer l'air comprimé. • Porter des verres protecteurs homologués ANSI Z87. • Ne pas faire fonctionner si les capots protecteurs sont enlevés.	<b>Riesgo de lesiones</b> —No dirija la corriente de aire hacia el cuerpo. • Desconecte la corriente y libere toda la presión del aire del tanque antes de dar servicio y después de cada uso. • No use aire comprimado para respirar. • Use protección ocular aprobada según ANSI Z87. • No opere sin los dispositivos de protección proporcionados.
	<b>RISK OF BURSTING</b> Prevent tank corrosion. After each usage, drain all moisture from tank. <b>MOISTURE DRAIN</b>	<b>RISQUE D'ÉCLATEMENT</b> Prévenir la corrosion en drainant toute humidité du réservoir après chaque usage. <b>ÉVACUATION D'EAU</b>	<b>RIESGO DE EXPLOSION</b> Prevenir la corrosion del tanque. Después de cada uso drenar toda humedad del tanque. <b>DESAGÜE DE AGUA</b>
	<b>OPEN</b>		
	<b>OUVERT</b>		<b>ABIERTO</b>

## GLOSSARY OF TERMS

### **CFM**

Cubic feet per minute; a unit of measure of air flow.

### **PSI**

Pounds per square inch; a unit of measure of air pressure.

### **Kick-in pressure**

Factory set low pressure point that starts the compressor to repressurize the tank to a higher pressure.

### **Kick-out pressure**

Factory set high pressure point that stops the compressor from increasing the pressure in the tank above a certain level.

### **Well-ventilated**

A means of providing fresh air in exchange for dangerous exhaust or vapors.

### **Dedicated circuit**

An electrical circuit reserved for the exclusive use of the air compressor.

### **ASME**

American Society of Mechanical Engineers.

Indicates that the components are manufactured, tested and inspected to the specifications set by ASME.



### **Canadian Standards Association**

Indicates that the products that have this marking have been manufactured, tested and inspected to standards that are set by CSA.



C

### **US Canadian Standards Association (USA)**

Indicates that the products that have this marking have been manufactured, tested and inspected to standards that are set by CSA. These products also conform to U.L. standard 1450.

## PARTS AND SERVICE

Replacement parts and service are available from your nearest authorized Service Center. If the need arises, contact Product Service as listed at right.

When consulting with a Service Center or Product Service, refer to the model number and serial number located on the serial label of the compressor. Proof of purchase is required for all transactions and a copy of your sales receipt may be requested.

Record the model number, serial number, and date purchased in the spaces provided below. Retain your sales receipt and this manual for future reference.

When needing service, please contact the nearest authorized Service Center or call:

### PRODUCT SERVICE



**In U.S.A. or Canada**

**Toll-Free**

**1-888-895-4549**

**Fax**

**1-507-723-5013**

Model No.

Serial No.

Date Purchased

--	--	--

Made in USA with domestic and foreign components

© 2011 **Sanborn Mfg.**  
Division of MAT Industries, LLC.  
Springfield, MN 56087

**1-888-895-4549**

All Rights Reserved.

## AVERTISSEMENT

Lisez et veillez à bien comprendre toutes les consignes de sécurité de ce manuel avant d'utiliser l'appareil. Toute dérogation aux instructions contenues dans ce manuel peut entraîner l'annulation de la garantie, causer des blessures et/ou des dégâts matériels. Le fabricant NE SAURA être tenu responsable de dommages résultant de l'inobservation de ces instructions.



**1. RISQUE D'INCENDIE OU D'EXPLOSION.** Ne jamais vaporiser de liquides inflammables dans un endroit confiné. Il est normal que le moteur et le manostat produisent des étincelles pendant le

fonctionnement. Si les étincelles entrent en contact avec les vapeurs d'essence ou d'autres solvants, ces vapeurs peuvent s'enflammer et causer un incendie ou une explosion. Utilisez toujours le compresseur dans une zone bien aérée. Ne fumez pas quand vous pulvérisez. Ne pulvérisez pas en présence d'étincelles ou de flammes. Placez le compresseur aussi loin que possible de la zone de pulvérisation.



**2. RISQUE DE CHOC ÉLECTRIQUE.** N'utilisez jamais un compresseur d'air électrique à l'extérieur quand il pleut ou sur une surface mouillée sous peine de vous exposer à une décharge électrique.



**3. RISQUE DE BLESSURE.** Cet appareil se met en marche automatiquement. Arrêtez TOUJOURS le compresseur, débranchez-le de la prise de courant et purgez toute la pression du circuit avant de procéder à l'entretien du compresseur ou lorsque vous ne l'utilisez pas. N'utilisez pas l'appareil sans les protections ou le garde-courroie. Risque de blessures graves en cas de contact avec les pièces en mouvement !



**4. RISQUE D'ÉCLATEMENT.** Vérifiez les spécifications de pression maximum recommandées par le fabricant

pour les outils et les accessoires pneumatiques. La pression de sortie du compresseur doit être réglée de façon à ne jamais dépasser la pression maximum nominale de l'outil. Dépressurisez entièrement le tuyau avant de raccorder ou de débrancher des accessoires.



**5. RISQUE D'ÉCLATEMENT.** Les températures élevées sont produites par la pompe et la tubulure. Pour éviter toute brûlure ou d'autres blessures, NE TOUCHEZ PAS la pompe, le distributeur ou le tube de

transfert tandis que la pompe fonctionne. Laissez-les refroidir avant de les manipuler ou de procéder à leur entretien. Ne laissez jamais les enfants s'approcher du compresseur.



**6. RISQUE RESPIRATOIRE.**

Veillez à lire toutes les étiquettes quand vous pulvérisez de la peinture ou des matériaux toxiques, et suivez les consignes de sécurité. Utilisez un masque à gaz si vous risquez d'inhaler le produit pulvérisé. Lisez toutes les instructions et veillez à ce que le masque à gaz assure votre protection. Ne jamais inhaler l'air comprimé d'un compresseur. Il ne convient pas à la respiration.



**7. RISQUE DE BLESSURE AUX YEUX.** Porter toujours des lunettes de sécurité

homologuées ANSI Z87.1 lors de l'utilisation d'un compresseur d'air. Ne dirigez jamais une buse ou un pulvérisateur vers quelqu'un ou une quelconque partie du corps. Ce matériel peut causer des blessures graves si le produit vaporisé pénètre dans la peau.



**8. RISQUE D'ÉCLATEMENT.** Ne régler la soupape de décharge sous aucun prétexte : ceci aurait pour effet d'annuler toutes les garanties. La soupape de décharge est pré-réglée en usine à la pression maximum de l'unité. L'altération de la soupape de décharge risque d'entraîner des blessures et/ou des dégâts matériels.



**9. RISQUE D'ÉCLATEMENT.**

N'utilisez pas de tuyaux en plastique ou en PVC pour l'air comprimé. Utilisez uniquement des tuyaux et des raccords en acier galvanisé pour le circuit de distribution de l'air comprimé.



**10. RISQUE AUDITIF.** Porter toujours des protecteurs d'oreilles en utilisant un compresseur d'air. Dans le cas contraire, il y a risque de perte d'audition.



**11.** Le cordon d'alimentation de ce produit contient du plomb, un produit chimique

reconnu par l'État de Californie comme pouvant causer le cancer, des malformations à la naissance ou autres problèmes de reproduction. Lavez-vous les mains après utilisation.

#### **REMARQUE: CÂBLAGE ÉLECTRIQUE.**

Pour savoir quelles sont les normes

d'intensité et de tension de l'appareil, référez-vous à l'étiquette du numéro de série du compresseur d'air. Veillez à ce que tout le câblage soit effectué par un electricien qualifié conformément au Code National Électrique des E.U.

## **⚠ DANGER**



### **RISQUE D'ÉCLATEMENT.**

Réservoir d'air comprimé : Le 26 février 2002, la U.S. Consumer Product Safety Commission américaine a publié la règle n° 02-108 portant sur la sécurité en matière de réservoir d'air comprimé des compresseurs :

Les réservoirs d'air comprimé des compresseurs n'ont pas une durée de vie illimitée. La durée de vie des réservoirs dépend de plusieurs facteurs, qui comprennent entre autres : les conditions d'utilisation, les conditions ambiantes, une installation adéquate, les modifications sur site, et le niveau de maintenance. L'effet exact que peut avoir ces facteurs sur la durée de vie des réservoirs d'air est difficilement prévisible.

Si les procédures adéquates de maintenance ne sont pas suivies, la corrosion sur la paroi interne du réservoir d'air comprimé peut faire que celui-ci éclate de façon inopinée laissant soudainement l'air pressurisé s'échapper avec force, posant ainsi des risques de dommages corporels à l'utilisateur.

Le réservoir d'air de votre compresseur doit être mis hors service à la fin de l'année mentionnée sur l'étiquette d'avertissement apposée sur le réservoir.

Les conditions suivantes peuvent amener la dégradation du réservoir d'air, et faire que ce dernier explose violemment :

#### **CE QUI PEUT SE PRODUIRE**

- L'eau condensée n'est pas correctement vidangée du réservoir d'air provoquant ainsi la formation de rouille et un amincissement du réservoir d'air en acier.
- Modifications apportées au réservoir d'air ou tentatives de réparation.
- Des modifications non autorisées de la soupape de décompression, ou de tous autres composants qui régissent la pression du réservoir d'air.

#### **COMMENT L'ÉVITER**

- Vidanger le réservoir d'air quotidiennement ou après chaque utilisation. Si le réservoir présente une fuite, le remplacer immédiatement par un nouveau réservoir d'air ou par un nouveau compresseur.
- Ne jamais percer un trou dans le réservoir d'air ou ses accessoires, y faire de la soudure ou y apporter quelque modification que ce soit. Ne jamais essayer de réparer un réservoir d'air endommagé ou avec des fuites. Le remplacer par un nouveau réservoir d'air.
- Le réservoir d'air a été conçu pour supporter des pressions spécifiques de fonctionnement. Ne faites jamais effectuer de réglages ou de substitutions de pièces en vue de modifier les pressions de fonctionnement réglées en usine.

## **⚠ AVERTISSEMENT**

1. Vidangez tous les jours l'humidité accumulée dans le réservoir. Pour éviter la corrosion, le réservoir doit être propre et sec.
2. Tirez tous les jours sur l'anneau de la soupape de décharge pour vous assurer qu'elle



fonctionne correctement et éliminer toutes les obstructions possibles de la soupape.

3. Pour assurer une ventilation correcte pour le refroidissement, le compresseur doit être placé à une distance minimum de 31 cm (12 pouces) du mur le plus proche, dans une zone bien aérée.

4. Pour éviter tout endommagement du réservoir et du compresseur sur les modèles fixes, calez le réservoir de façon à ce que la pompe soit à niveau à  $\pm 3$  mm (1/8") pour distribuer correctement l'huile. Tous les pieds doivent être soutenus et des cales doivent être placées aux endroits nécessaires avant la fixation au sol. Fixez tous les pieds au sol. Il est également recommandé de placer des tampons d'amortissement (094-0115) sous les pieds du réservoir.

5. Si vous transportez le compresseur, fixez-le bien. Avant de le transporter, il faut d'abord dépressuriser le réservoir.

6. Protégez le tuyau d'air contre les risques d'endommagement et de perforation. Inspectez-le chaque semaine pour déceler toute trace de faiblesse ou d'usure et remplacez-le au besoin.

7. Pour réduire les risques de décharge électrique, protégez l'appareil de la pluie. Entrez-le à l'intérieur.

## ⚠ AVERTISSEMENT

**CALIFORNIE PROPOSITION 65 AVERTISSEMENT:** Ce produit contient des produits chimiques connus de l'État de Californie comme causant des cancers, des anomalies congénitales et/ou présentant des dangers pour la reproduction.

## TABLEAU DES SPÉCIFICATIONS

MODÈLE	RUNNING H.P. (CV)	CAPACITÉ DU RÉSERVOIR LITRES	TENSION/ AMPS/ PHASE	PRESSION D' OUVERTURE	PRESSION DE FERM.
PXCMPC1682066	1.6	20 (75,7)	120/240/ 15/7.5/1	105 (7,24 bar)	135 (9,31 bar)
PXCMLC1683066	1.6	30 (113,6)	120/240/ 15/7.5/1	105 (7,24 bar)	135 (9,31 bar)

## ÉLÉMENTS DE BASE DE COMPRESSEUR D'AIR

Les éléments de base du compresseur d'air sont le moteur électrique, la pompe, le manostat et le réservoir (**Fig. 1**).

Le **moteur électrique (A)** actionne la pompe. Il est équipé d'un protecteur de surcharge pour ne pas griller. Le protecteur de surcharge arrête le moteur dès qu'il surchauffe. Dans ce cas, laissez-le refroidir pendant 10 à 15 minutes, puis appuyez sans forcer sur l'interrupteur de remise en marche du moteur pour le redémarrer.

La **pompe (B)** comprime l'air.

Le **réservoir (C)** contient l'air comprimé.

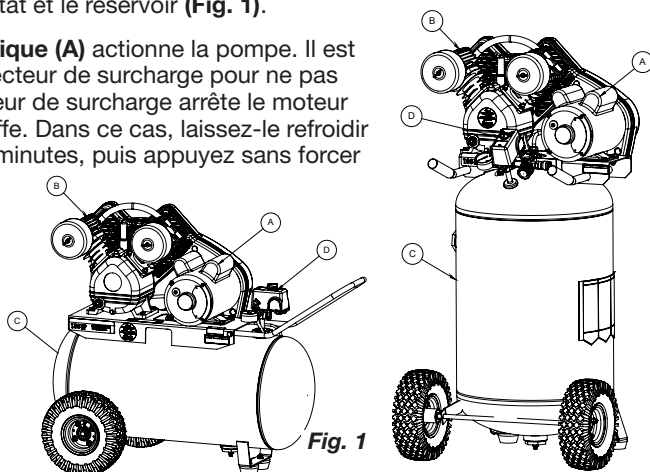


Fig. 1

Le **manostat (D)** arrête le moteur et libère la pression d'air dans la pompe et le tube de transfert quand la pression dans le réservoir atteint la pression de fermeture. Au fur et à mesure que l'air comprimé est utilisé et que le niveau de pression dans le réservoir baisse jusqu'à la pression d'ouverture, le manostat remet le moteur en marche automatiquement, sans avertissement, et la pompe reprend la compression d'air.

Le **sortie d'air** (voir **E**). Raccorder le tuyau pneumatique NPT de 6.35 mm (1/4 po) à cette sortie.

## ASSEMBLAGE DU COMPRESSEUR

**ARRÊT**

LA POMPE QUI EST EXPÉDIÉE NE CONTIENT PAS D'HUILE. Remplissez la pompe jusqu'au niveau correct et vérifiez souvent le niveau. Huile synthétique mélangée non détergente pour compresseur d'air.

- Sortez le compresseur d'air de sa boîte. Inspectez-le pour vous assurer qu'il n'est pas endommagé. S'il a été endommagé pendant le transport, référez-vous à l'étiquette de transport et déclarez les dommages aux transporteur. Faites cette démarche immédiatement étant donné les délais limites des demandes d'indemnisation.

Le carton doit contenir:

- compresseur d'air
- opérateur/pièces manuelles
- filtre à air
- 12 onces. (355 ml) bouteille d'huile

- Vérifiez l'étiquette du numéro de série du compresseur pour vous assurer qu'il s'agit bien du modèle commandé et que la pression nominale est conforme à l'utilisation prévue.
- Attach poignée à compresseur, comme indiqué dans la Fig 2a.

- Attach le filtre à air à la pompe assemblées comme indiqué dans la Fig. 2b.

- Positionnez le compresseur conformément aux recommandations suivantes :

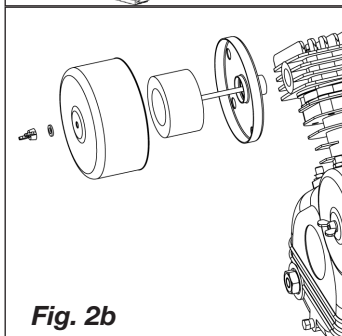
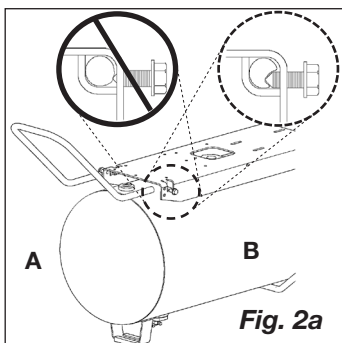
a. Placez le compresseur près d'une prise de courant mise à la terre (voir INSTRUCTIONS DE MISE À LA TERRE). Évitez d'utiliser une rallonge ; utilisez plutôt un tuyau flexible plus long.

b. Pour assurer un écoulement d'air et un refroidissement suffisants, le côté du volant-moteur du compresseur doit se trouver dans une zone propre et bien ventilée, et à une distance de 31 cm (12 pouces) du mur ou de toute autre obstruction.

c. Dans des climats froids, entreposez les compresseurs portatifs dans un bâtiment chauffé lorsqu'ils ne sont pas en service pour réduire les problèmes de lubrification, de démarrage du moteur et de gel de l'eau produite par condensation.

d. Le compresseur doit être à niveau pour assurer le graissage de la pompe et une vidange correcte de l'eau condensée dans le réservoir.

- Reliez des tuyaux d'air (non inclus) à la sortie diverse.



## COMMANDES DU COMPRESSEUR

Référez-vous à fig. 3.

### Manostat (A)

Cet interrupteur met en marche le compresseur. Il est actionné manuellement, mais, s'il se trouve sur la position ON, le compresseur se met en marche ou s'arrête automatiquement, sans avertissement, en fonction de la demande d'air. Réglez TOUJOURS cet interrupteur sur la position OFF quand vous n'utilisez pas le compresseur et avant de le débrancher.

### Soupape de décharge (B)

Si le manostat n'arrête pas le moteur quand la pression atteint le niveau prédéfini, cette soupape s'ouvre automatiquement pour éviter toute surpressurisation. Pour l'actionner manuellement, tirez sur son anneau afin de libérer la pression d'air dans le réservoir.

### Manomètre du réservoir (C)

Ce manomètre mesure le niveau de pression d'air dans le réservoir. L'utilisateur ne peut pas régler ce manomètre et il n'indique pas la pression dans la conduite.

### Régulateur de pression d'air (D)

Le régulateur de pression d'air permet de régler la pression de la conduite de l'outil que vous utilisez.

### **⚠ AVERTISSEMENT**

**Ne dépassez jamais la pression maximum nominale de l'outil.**

Tournez le bouton dans le sens des aiguilles d'une montre pour augmenter la pression et dans le sens inverse pour la réduire.

### Manomètre de pression régulée (E)

Ce manomètre mesure la pression de sortie régulée.

### Sortie d'air (voir F)

Raccorder le tuyau pneumatique NPT de 6.35 mm (1/4 po) à cette sortie.

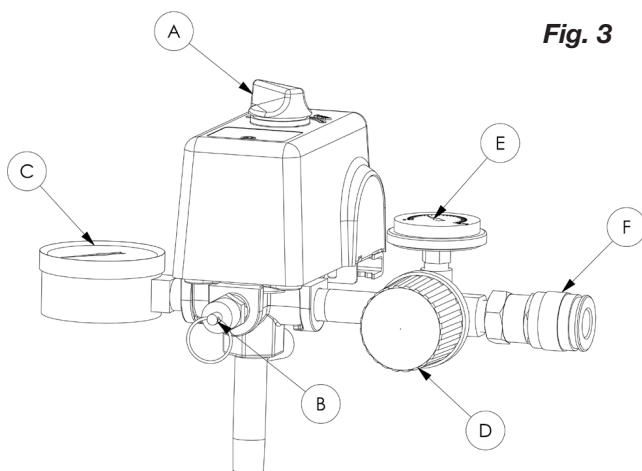


Fig. 3

# SPÉCIFICATIONS DE L'ALIMENTATION ÉLECTRIQUE

## CÂBLAGE ÉLECTRIQUE

Pour vous renseigner sur les normes d'intensité et de tension de l'appareil, référez-vous à l'étiquette du numéro de série du compresseur d'air.

### Utilisez un circuit séparé

**Pour obtenir le meilleur rendement possible et une mise en marche fiable, le compresseur d'air doit être installé sur un circuit séparé, aussi près que possible d'une boîte à fusibles ou d'un disjoncteur.** Le compresseur utilise toute la capacité d'un circuit à usage domestique typique. Si d'autres appareils électriques tirent du courant sur le circuit du compresseur, il est possible que le compresseur ne puisse pas démarrer. Si la tension est insuffisante ou si le circuit est surchargé, le démarrage risque d'être lent et d'entraîner en conséquence le déclenchement du disjoncteur ou de l'interrupteur de remise en marche du moteur, surtout s'il fait froid.

**REMARQUE :** Il est recommandé d'utiliser un disjoncteur. Si le compresseur est branché sur un circuit protégé par un fusible, utilisez des fusibles temporisés à double élément (Buss Fusetron de type «T» seulement).

## RALLONGES

**REMARQUE :** Évitez d'utiliser des rallonges. Pour obtenir un rendement optimum, branchez le câble d'alimentation du compresseur directement sur une prise de courant mise à la terre. N'utilisez pas de rallonge sauf nécessité absolue. Utilisez plutôt un tuyau flexible plus long pour atteindre la zone où l'air est nécessaire.

Utilisez seulement une rallonge à 3 fils munie d'une prise de terre à 3 lames et une prise de courant à 3 fentes dans laquelle la prise peut être branchée. Veillez à ce que la rallonge que vous allez utiliser soit en bon état. Une rallonge de dimension inférieure à celle préconisée causera une baisse de tension sur la ligne qui se soldera par une perte de puissance et une surchauffe. Plus le calibre est petit, plus la rallonge doit être grosse.

## INSTRUCTIONS DE MISE À LA TERRE

### POUR MODÈLES À CORDON:

Ce produit doit être mis à la terre. En cas de court-circuit électrique, la mise à la terre réduit les risques de décharges électriques en fournissant un fil par lequel le courant électrique peut s'échapper.

Ce produit est équipé d'un câble d'alimentation muni d'un fil de terre et d'une fiche de terre appropriée. Cette fiche doit être branchée sur une prise de courant qui a été mise à la terre et installée conformément à toutes les normes et décrets locaux.

**Remarque : Les appareils ne sont pas tous expédiés avec un cordon d'alimentation.**



**⚠ DANGER**

L'installation incorrecte de la fiche de terre risque de provoquer des décharges électriques. En cas de remplacement nécessaire du câble ou de la fiche, ne branchez pas le fil de terre sur l'une des lames plate. Le fil de terre est recouvert d'une

## gaine d'isolation verte avec ou sans rayures jaunes.

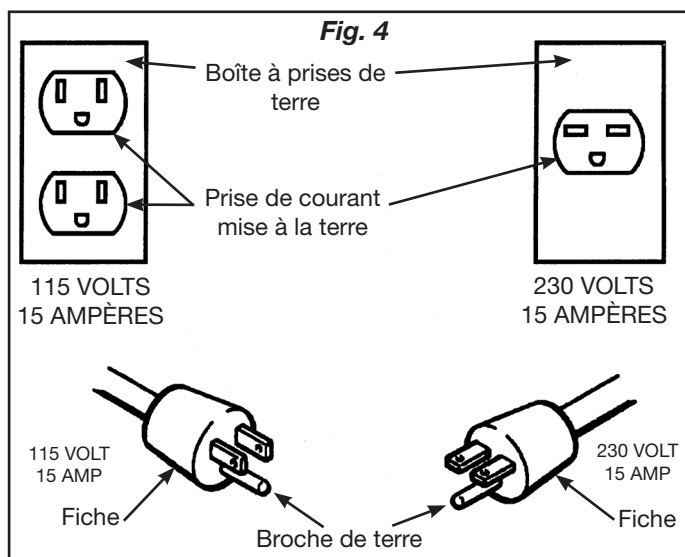
Ce produit est conçu pour fonctionner sur un circuit d'une tension nominale de 115 ou 230 volts. Un câble muni d'une prise de terre, comme illustré ici, doit être utilisé.

Veillez à ce que le compresseur soit branché sur une prise de courant compatible avec la fiche (Fig. 4). N'utilisez pas d'adaptateur avec ce produit.

Si vous ne comprenez pas les instructions de mise à la terre ou si vous doutez que le compresseur soit correctement mis à la terre, consultez un électricien qualifié. Ne modifiez pas la fiche fournie avec l'appareil ; si elle ne s'adapte pas à la prise de courant, faites installer une prise de courant correcte par un électricien qualifié.

### **POUR LES MODÈLES BRANCHÉS EN PERMANENCE OU LIVRÉS SANS CORDON D'ALIMENTATION :**

Ce produit doit être relié à une installation électrique permanente, métallique et mise à la terre, ou à un équipement (prise de terre ou conducteur de terre) sur le produit.



## REMISE EN MARCHÉ ET CABLAGE DU MOTEUR

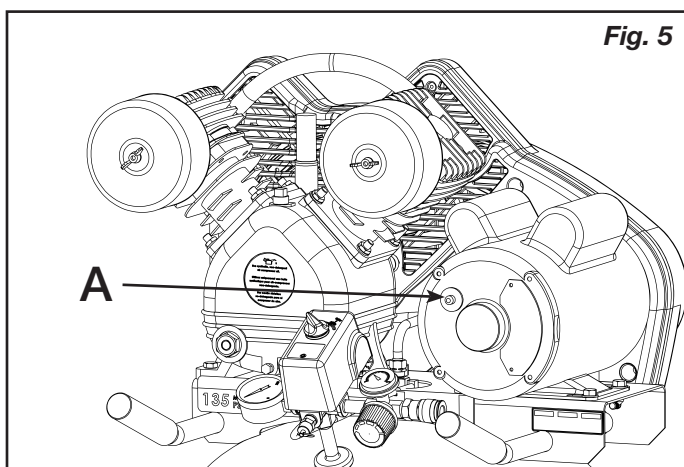
### **⚠ AVERTISSEMENT**

Veillez à ce que toutes les sécurités et protections soient installées avant d'appuyer sur l'interrupteur de remise en marche.

Si le moteur s'arrête à cause d'une surcharge, attendez 10 à 15 minutes que le moteur ait refroidi, puis appuyez SANS FORCER sur l'interrupteur de remise en marche du moteur (A) pour le redémarrer (Fig. 5).

**REMARQUE :** Certains modèles sont équipés d'un moteur bitension de 115/230 volts. La plupart des modèles sont câblés à l'usine pour 115 volts. Si la conversion de 115 volts en 230 volts est exigée, référez-vous à la plaque signalétique de moteur et faites terminer la conversion par un électricien autorisé.

**REMARQUE :** Sur les modèles stationnaires non fournis avec un cordon de secteur, le courant électrique doit être câblé dans le mano-contact par un électricien autorisé.



## RODAGE DE LA POMPE



**LA POMPE QUI EST EXPÉDIÉE NE CONTIENT PAS D'HUILE.**  
Remplissez la pompe jusqu'au niveau correct et vérifiez souvent le niveau. Huile synthétique mélangée non détergente pour compresseur d'air.

1. Vérifiez le niveau d'huile dans chaque pompe avec le viseur (voir **A** et **B**) (**Fig. 6**). Le niveau d'huile de la pompe doit être au repère maximum sur le viseur. Ne remplissez pas trop et remplissez suffisamment.
2. Placer le manocontacteur en position **ARRÊT (C)**.
3. Ouvrez le robinet de purge (**F**).
4. Branchez le cordon d'alimentation.
5. Tourner le manocontacteur en position **MARCHE (D)**. Le compresseur démarre. Laissez tourner pendant 30 minutes pour roder les pièces internes.

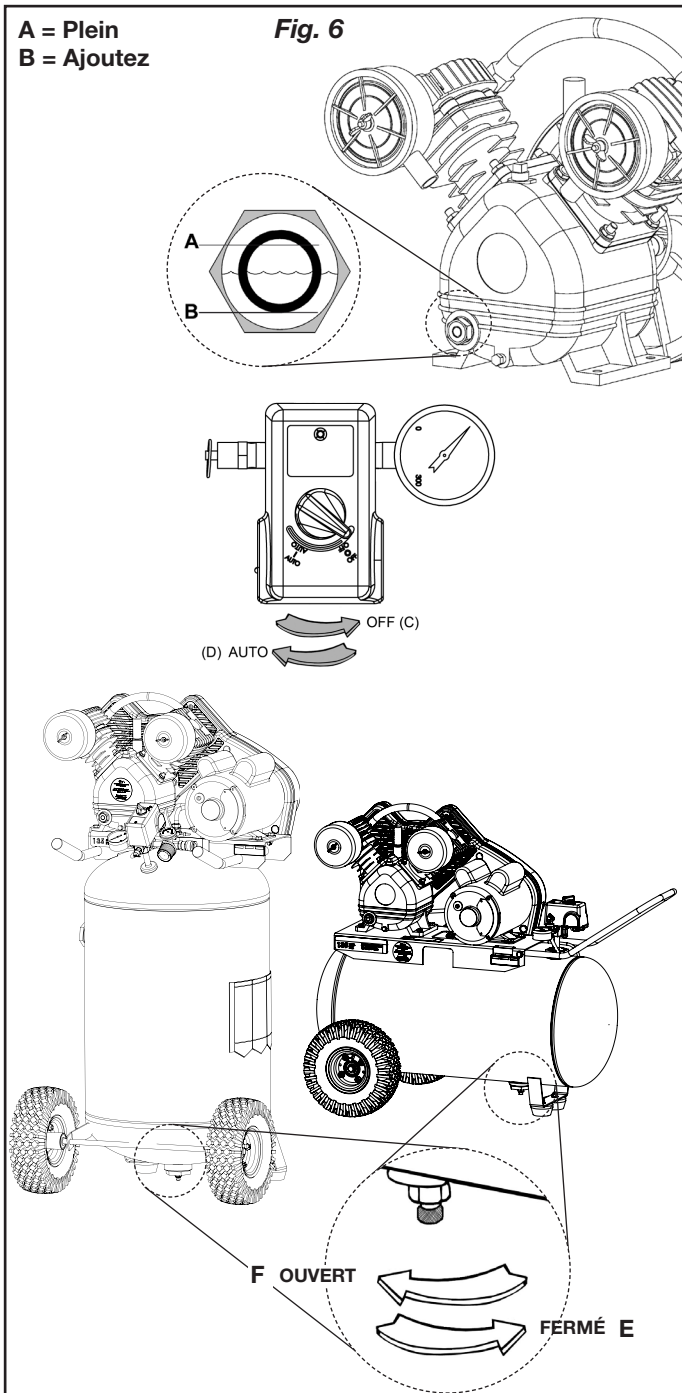
**REMARQUE :** Si après 30 minutes l'appareil ne fonctionne pas correctement, **ARRÊTEZ-LE IMMÉDIATEMENT** et contactez le service après-vente.

6. Après environ 30 minutes, tourner le manocontacteur en position **ARRÊT**.
7. Fermez le robinet de purge (**E**).
8. Tourner le manocontacteur en position **MARCHE**. Tourner vers la droite. Le compresseur démarre et remplit le réservoir jusqu'à la pression de fermeture, puis s'arrête.

**REMARQUE :** Une fois que suffisamment d'air comprimé est utilisé, le manostat relance automatiquement le moteur.

A = Plein  
B = Ajoutez

Fig. 6



## MODE D'EMPLOI

### MISE EN MARCHÉ QUOTIDIENNE

1. Vérifiez le niveau d'huile dans chaque pompe avec le viseur (voir **A** et **B**) (**Fig. 6**). Le niveau d'huile de la pompe doit être au repère maximum sur le viseur. Ne remplissez pas trop et remplissez suffisamment.
2. Placer le manoccontacteur en position ARRÊT (**D**).
3. Fermez le robinet de purge du réservoir (**E**).
4. Branchez le cordon d'alimentation.



#### **⚠ AVERTISSEMENT**

La pompe et le moteur électrique produisent des températures élevées. Pour éviter les brûlures et autres blessures, **NE touchez PAS** le compresseur quand il est en marche. Laissez-le refroidir avant de le manipuler ou d'effectuer son entretien. Ne laissez jamais les enfants s'approcher du compresseur.

5. Tourner le manoccontacteur en position MARCHÉ (**C**).



#### **⚠ AVERTISSEMENT**

Pour passer d'une pression élevée à une pression plus basse, tournez le bouton dans le sens contraire des aiguilles d'une montre au-delà du réglage de pression désiré, puis tournez-le dans le sens des aiguilles d'une montre pour atteindre la pression désirée. Ne pas dépasser la pression de fonctionnement de l'outil ou de l'accessoire utilisé.

6. Si votre compresseur est équipé d'un régulateur de pression, réglez sa pression pour qu'elle corresponde à la pression de service de l'outil.

### ARRÊT

1. Placer le manoccontacteur en position ARRÊT (**C**).
2. Débranchez le cordon d'alimentation.
3. Réduisez la pression dans le réservoir par l'orifice de sortie du tuyau. Vous pouvez également tirer sur l'anneau de la soupape de décharge (**G**) et la maintenir ouverte pour libérer la pression dans le réservoir.



#### **⚠ AVERTISSEMENT**

L'air et l'humidité qui s'échappent peuvent projeter des particules pouvant causer des blessures aux yeux. Portez des lunettes de protection lorsque vous ouvrez le robinet de purge.

4. Ouvrez le petcock (voir **F**) pour permettre à l'humidité de s'écouler le réservoir.



# ENTRETIEN

## ENTRETIEN

**⚠ AVERTISSEMENT** Pour éviter les risques de blessures, arrêtez et débranchez toujours le compresseur et libérez toute la pression d'air dans le circuit avant de procéder à l'entretien.

L'entretien régulier de l'appareil permettra d'assurer un fonctionnement sans problèmes. Votre compresseur d'air électrique est un appareil de haute qualité ; toutefois, même les machines de haute qualité nécessitent un entretien périodique. Les composants énumérés ci-dessous doivent être inspectés régulièrement.

## VIDANGE DU RÉSERVOIR



**⚠ AVERTISSEMENT** De la condensation se forme dans le réservoir. Pour éviter la formation de corrosion depuis l'intérieur du réservoir, cette condensation doit être évacuée à la fin de chaque journée de travail.



**⚠ AVERTISSEMENT** Veillez à porter des lunettes de protection. Libérez la pression d'air dans le circuit et ouvrez le robinet de purge en bas du réservoir pour vidanger.

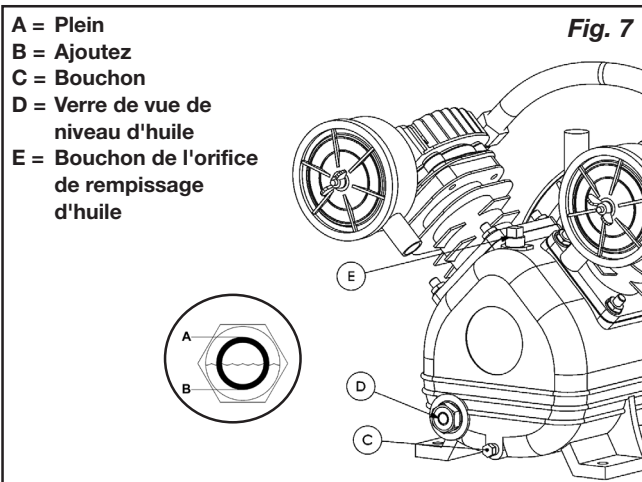
## VÉRIFICATION DU NIVEAU D'HUILE

Vérifiez le niveau d'huile dans la pompe grâce au voyant.. Le niveau d'huile dans la pompe doit être situé entre les marques A et B (voir Fig. 7). Ne remplissez pas trop, mais remplissez suffisamment.

## VIDANGE D'HUILE

**REMARQUE :** Huile synthétique mélangée non détergente pour compresseur d'air.

Retirez le bouchon d'huile (C) (Fig. 7), laissez s'écouler l'huile jusqu'à ce qu'elle s'égoutte puis refermer le bouchon. Retirez le bouchon d'évent (E) avant de faire l'appoint d'huile. Ajoutez de l'huile jusqu'à ce que le niveau, tel qu'indiqué par le voyant (D), se situe entre les marques FULL (plein) (A) et ADD (ajouter)



(B) (environ 11.35 oz.). Assurez-vous de ne jamais trop remplir, mais de remplir suffisamment.

**REMARQUE :** Le compresseur est rempli d'huile synthétique à l'usine. Huile synthétique mélangée non détergente pour compresseur d'air.

## TENSION DE LA COURROIE ET ALIGNMENT DE LA POULIE

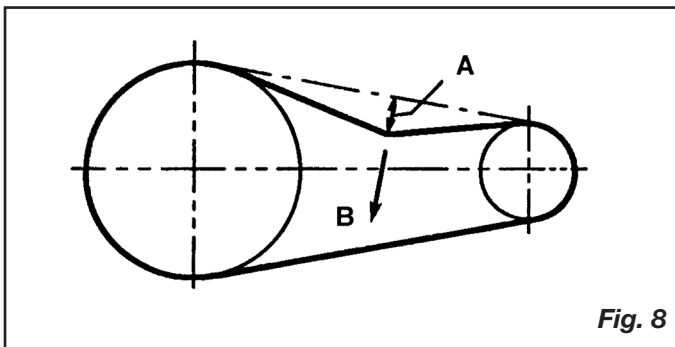
**⚠ AVERTISSEMENT** Pour écarter les risques de blessures, arrêtez et débranchez toujours le compresseur et libérez toute la pression d'air dans le circuit avant de procéder à son entretien.

**REMARQUE :** La tension de la courroie et l'alignement de la poulie se font simultanément. Chaque procédure est décrite séparément par souci de clarté.

## RÉGLAGE DE LA TENSION DE LA COURROIE D'ENTRAÎNEMENT

Pour une efficacité d'entraînement et une durée de vie maximales de la courroie, l'alignement de la poulie et la tension de la courroie doivent être maintenus. La tension est correcte en présence d'un fléchissement (**A**) de 13 mm (1/2") après l'application d'une force (**B**) de 2,3 kg (5 lb) à mi-distance entre la poulie du moteur et le volant-moteur de la pompe (**Fig. 8**). Ce fléchissement peut être réglé en procédant comme suit. La poulie doit être soigneusement alignée sur le volant-moteur et toutes les vis d'arrêt doivent être serrées.

1. Enlevez le garde-courroie.
2. Desserrez les boulons de montage du moteur.
3. Décalez le moteur jusqu'au point où le fléchissement correct est obtenu.
4. Resserrez les boulons de montage du moteur.
5. Assurez-vous que la tension reste correcte.
6. Réinstallez le garde-courroie. Toutes les pièces en mouvement doivent être protégées par une sécurité.



*Fig. 8*

## ALIGNEMENT DE LA POULIE

Pour vérifier l'alignement de la poulie, placez une règle (A) contre le volant-moteur du compresseur (B) (Fig. 9). Mesurez et notez la distance entre la règle et le bord de la courroie d'entraînement au point C. Mesurez ensuite de nouveau la distance entre la règle et le bord de la courroie d'entraînement aux points D et E. Les deux distances doivent correspondre à la même distance qu'en C. Si D ou E est différent de C, il existe un défaut d'alignement qu'il faut corriger avant de faire fonctionner le compresseur. Pour corriger un défaut d'alignement de la poulie, procédez comme suit :

1. Enlevez le garde-courroie.
2. Desserrez les boulons de montage du moteur.
3. Desserrez la vis d'arrêt sur la poulie du moteur.
4. Alignez la poulie du moteur sur le volant-moteur de la pompe ( $C = D = E$ ).
5. Resserrez la vis d'arrêt de la poulie du moteur.
6. Réglez correctement la tension de la courroie.
7. Resserrez les boulons de montage du moteur.
8. Réinstallez le garde-courroie. Toutes les pièces en mouvement doivent être protégées par une sécurité.

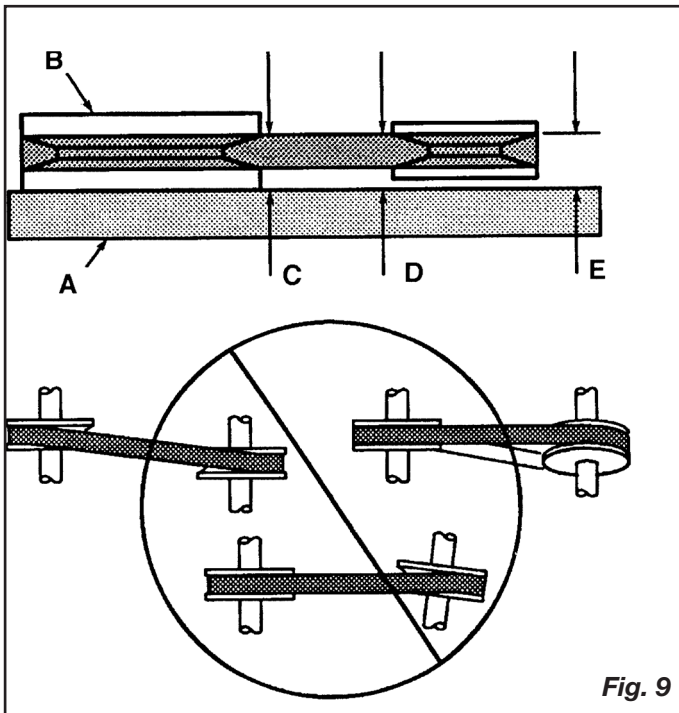


Fig. 9

## ENTRETIEN

### NETTOYAGE DU FILTRE À AIR

Un filtre à air sale réduira les performances et la durée de vie du compresseur. Pour éviter toute contamination interne de la pompe, le filtre doit être nettoyé fréquemment et remplacé régulièrement. Les filtres en feutre doivent être nettoyés dans de l'eau savonneuse tiède. Les filtres en papier doivent être remplacés quand ils sont sales. Il ne faut pas que les filtres soient remplis de saletés ou de peinture. Si le filtre se remplit de peinture, remplacez-le. Votre garantie sera annulée si l'appareil est directement exposé à des saletés et de la peinture.

### VÉRIFICATION DE LA SOUPAPE DE DÉCHARGE

Tirez chaque jour sur la soupape de décharge pour vous assurer qu'elle fonctionne correctement et éliminer toutes les obstructions éventuelles.

### ESSAI D'ÉTANCHÉITÉ

Assurez-vous que tous les raccords sont serrés. Le rendement de votre compresseur peut être réduit de manière significative en présence d'une petite fuite d'air dans les tuyaux flexibles, les tubes de transfert ou les raccords de tuyauterie. Si vous suspectez une fuite, vaporisez un peu d'eau savonneuse autour de la zone. Si des bulles apparaissent, réparez ou remplacez le composant défectueux. Ne serrez pas trop.

### ENTREPOSAGE

Avant d'entreposer le compresseur pour une période prolongée, utilisez une soufflette pour nettoyer toute la poussière et tous les débris du compresseur. Débranchez le cordon d'alimentation et enroulez-le. Tirez sur la soupape de décharge pour libérer toute la pression dans le réservoir. Évacuez toute l'humidité du réservoir. Nettoyez les éléments et le boîtier du filtre ; remplacez les éléments au besoin. Vidangez l'huile du carter de la pompe et remplacez-la par de l'huile neuve. Couvrez tout l'appareil pour le protéger de l'humidité et de la poussière.

## ENTRETIEN PÉRIODIQUE

- Inspectez et nettoyez le filtre à air..... Chaque jour**
- Vérifiez le niveau d'huile de la pompe ..... Chaque jour**
- Changez l'huile de la pompe ..... Toutes les 100 heures de fonctionnement**  
*Huile synthétique mélangée non détergente pour compresseur d'air.*
- Faites fonctionner les-soupapes de décharge..... Chaque jour**
- Vérifiez la tension de la courroie.... Toutes les 50 heures de fonctionnement**
- Vidangez le réservoir..... Chaque jour**
- Vérifiez et serrez tous les boulons.....**  
**.....Toutes les 100 heures de fonctionnement (Ne les serrez pas trop)**

## DÉPANNAGE

**Remarque : Les problèmes de dépannage peuvent avoir des causes et des solutions similaires.**

PROBLÈME	CAUSE POSSIBLE	SOLUTION
<b>Le prélèvement excessif de courant cause le déclenchement du disjoncteur ou de l'interrupteur de remise en marche du moteur</b>	Tension insuffisante/ surcharge du moteur	Vérifiez que l'alimentation est adéquate et que le compresseur est branché sur un circuit séparé. Vérifiez que le compresseur est branché sur son propre circuit. Si une rallonge est utilisée, essayez sans utiliser la rallonge. Si le compresseur est branché sur un circuit protégé par un fusible, utilisez des fusibles temporisés à double élément (Buss Fusetron de type «T» seulement).
	Courroie d'entraînement trop serrée	Réajustez la tension de la courroie.
	Passages d'air colmatés	Inspectez et remplacez les tubes de transfert ou la soupape d'arrêt, selon les besoins.
<b>Le compresseur cale</b>	Tension insuffisante vers le moteur	Fournissez une puissance adéquate.
	Soupape d'arrêt défectueuse	Remplacez la soupape d'arrêt.
	Grippage de la pompe	Contactez le centre d'entretien agréé.
<b>Pression de décharge insuffisante</b>	Fuites d'air	Serrez ou remplacez les raccords ou les connexions qui ne sont pas étanches. Ne serrez pas trop.
	Fuites des soupapes	Contactez le centre d'entretien agréé.
	Admission d'air colmatée	Nettoyez ou remplacez le ou les élément(s) du filtre à air.
	Joint éclaté	Contactez le centre d'entretien agréé.
	Usure des segments de piston ou du cylindre	Contactez le centre d'entretien agréé.

<b>PROBLÈME</b>	<b>CAUSE POSSIBLE</b>	<b>SOLUTION</b>
<b>Cognement de la pompe</b>	Poulie du moteur ou volant-moteur desserré	Resserrez la poulie et le volant-moteur. Vérifiez l'alignement.
	Niveau d'huile trop bas dans le carter de la pompe	Maintenez le niveau d'huile jusqu'au repère maximum en permanence.
	Excès de calamine sur les soupapes ou sur le haut du piston	Contactez le centre d'entretien agréé.
<b>Huile dans l'air évacué</b>	Usure des segments de piston ou du cylindre	Contactez le centre d'entretien agréé.
	Admission d'air colmatée	Nettoyez ou remplacez le ou les élément(s) du filtre à air.
	Niveau d'huile trop élevé	Ramenez au niveau correct.
<b>Surchauffe</b>	Mauvaise aération	Placez le compresseur dans un endroit frais, sec et bien aéré, à une distance de 30 cm (12 po.) du mur le plus proche.
	Surfaces de refroidissement sales	Nettoyez entièrement toutes les surfaces de refroidissement.
	Passages d'air colmatés	Remplacez les tubes de transfert et/ou le régulateur de pression.
<b>Usure excessive de la courroie</b>	Défaut d'alignement de la poulie	Réalignez la poulie sur le volant-moteur du compresseur.
	Tension de courroie incorrecte	Réajustez.
	Oscillation de la poulie	Remplacez la poulie et vérifiez que le vilebrequin ou le volant-moteur n'est pas endommagé.
<b>Le compresseur ne démarre pas quand il fait froid</b>	Trop de pression de refoulement dans le réservoir	Ouvrez le robinet de purge quand vous mettez en marche le moteur.
	Huile 40W dans le carter-moteur	Huile synthétique mélangée non détergente pour compresseur d'air.
	Le compresseur est trop froid	Placez le compresseur dans un endroit plus chaud.

## GLOSSAIRE DES TERMES

### **CFM**

Pieds cubes par minute ; une unité de mesure de débit d'air.

### **Bar**

Unité de mesure de pression d'air.

### **Pression d'ouverture**

Point de pression bas réglé en usine qui met en marche le moteur de la pompe pour remettre sous pression l'air dans le réservoir.

### **Pression d'arrêt**

Point de pression haut réglé en usine qui arrête le moteur de la pompe et la hausse de pression dans le réservoir au-delà d'un certain niveau.

### **Bien aéré**

Qualifie un endroit où les gaz d'échappement ou les vapeurs sont remplacés par de l'air frais.

### **Circuit réservé**

Circuit électrique réservé exclusivement au compresseur d'air.

### **ASME**

American Society of Mechanical Engineers (Société américaine des ingénieurs mécaniciens)

Indique que les composants sont fabriqués, testés et examinés selon les normes définies par l'ASME.



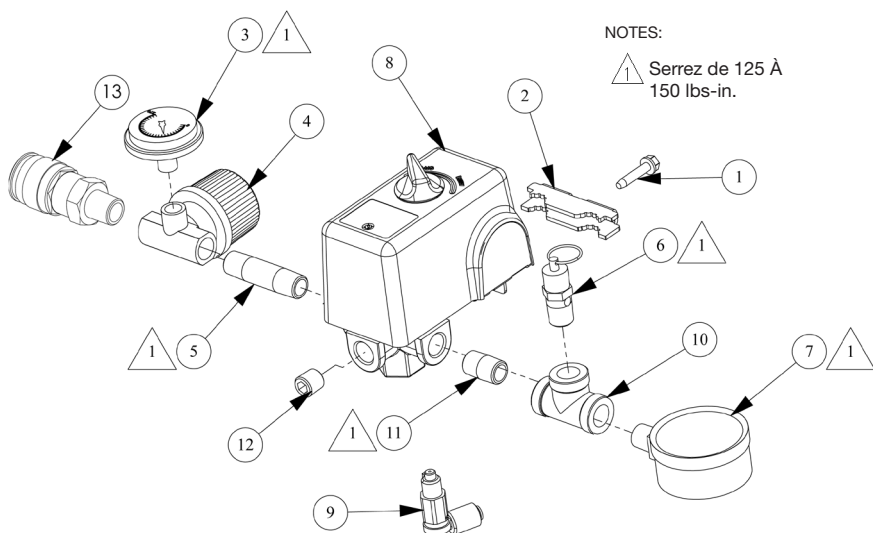
### **L'association canadienne de normes**

Indique que les produits qui font avoir examinée cette inscription avoir été fabriquée, testée et aux normes qui sont fixées par CSA.

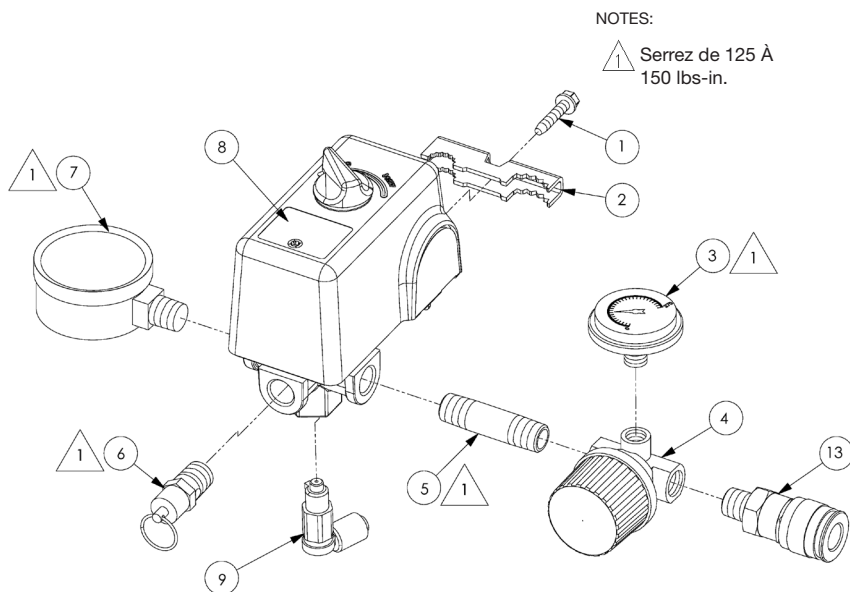


**c** **us** **L'association canadienne de normes (Etats-Unis)** Indique que les produits qui font avoir fabriqué cette inscription, testé et examiné aux normes qui sont fixées par CSA. Ces produits se conforment également à la norme 1450 d'cU.I..

## DESSIN DES PIÈCES



Réservoir horizontal



Réservoir vertical



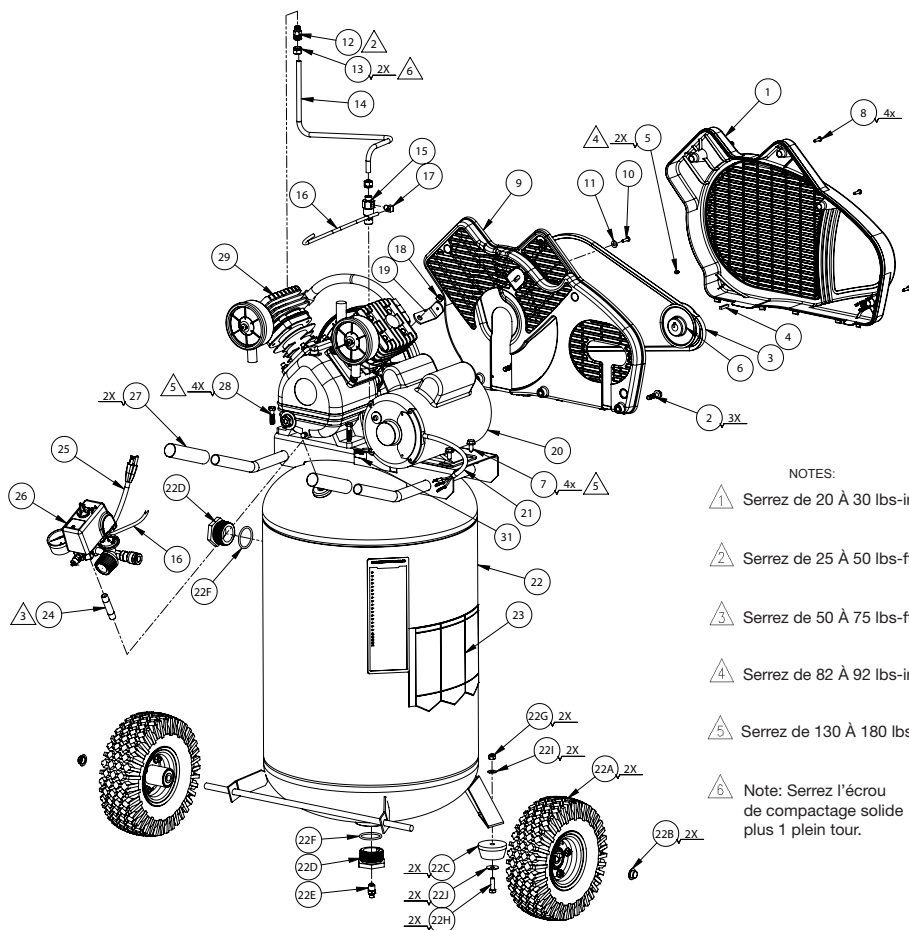
## LISTE DE PIÈCES

Article	N° / P	Qté	Description
1	061-0216	1	Vis
2	071-0033	1	Soulagement de traction
3	032-0056	1	Manomètre
4	019-0167	1	Régulateur
5	065-0004	1	Manchon fileté
6	136-0005	1	Soupape
7	032-0025	1	Manomètre
8	034-0226	1	Interrupteur <i>inclut les éléments 1, 2 et 9</i>
9	136-0090	1	Soupape
10	069-0004	1	Pièce en t
11	065-0085	1	Manchon fileté
12	062-0035	1	Prise
13	036-0031	1	Raccord rapide

## CONDENSATEURS (TABLEAU A)

	Le condensateur de démarrage	Le couvercle de démarrage du condensador	Le condensateur de march	Le couvercle de marche du condensateur
<b>A.O. Smith motor capacitors</b>	166-0143 <i>A.O. Smith p/n - 16622936</i>	166-0145 <i>A.O. Smith p/n - 174588-004</i>	166-0144 <i>A.O. Smith p/n - 628318-313</i>	166-0146 <i>A.O. Smith p/n - 17821153</i>
<b>GE motor capacitors</b>	166-0148 <i>GE p/n - 52A103967P1</i>	166-0150 <i>GE p/n - 111B291AAP3</i>	166-0149 <i>GE p/n - 976B399ASP3</i>	166-0151 <i>GE p/n - 111B276ACP8</i>
<b>Better motor capacitors</b>	166-0180 <i>Better p/n - 0901080</i> <i>or</i> 166-0195 <i>Better p/n - 61B4D250400NNCA</i>	166-0182 <i>Better p/n - 0104045</i>	166-0181 <i>Better p/n - 0901040</i> <i>or</i> 166-0196 <i>Better p/n - CBB60</i>	166-0182 <i>Better p/n - 0104045</i>

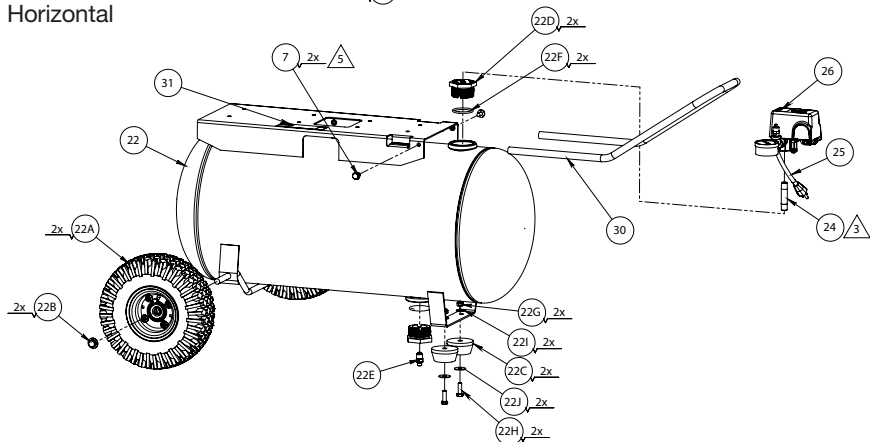
# DESSIN DES PIÈCES



NOTES:

- 1 Serrez de 20 À 30 lbs-in.
- 2 Serrez de 25 À 50 lbs-ft.
- 3 Serrez de 50 À 75 lbs-ft.
- 4 Serrez de 82 À 92 lbs-in.
- 5 Serrez de 130 À 180 lbs-in.
- 6 Note: Serrez l'écrou de compactage solide plus 1 plein tour.

## Horizontal



## LISTE DE PIÈCES

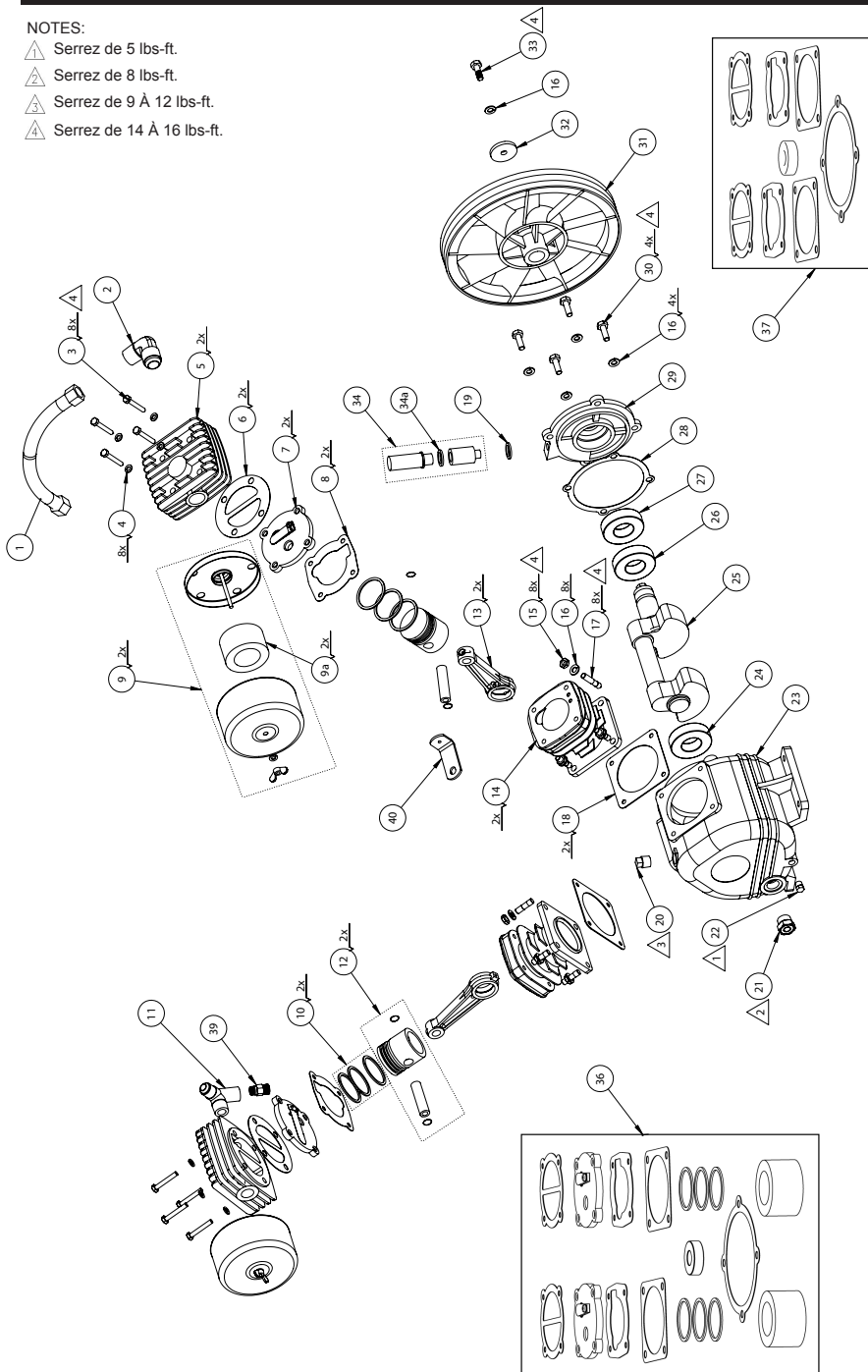
Article	N° / P	Qté	Description
1	125-0208	1	Garant
2	059-0410	3	Boulon
3	007-0010	1	Courroie
4	146-0016	1	Clé
5	061-0238	2	Vis d'arrêt
6	006-0018	1	Poulie
7	059-0012	6	Boulon
8	061-0114	4	Vis
9	125-0207	1	Garant
10	061-0212	1	Vis
11	060-0146	1	Rondelle
12	068-0092	1	Connecteur
13	058-0007	2	Écrou
14	145-0478	1	Tube
or	145-0664	1	Tube (Horizontal)
15	031-0037	1	Soupape
16	145-0324	1	Tube
17	064-0056	1	Coude
18	058-0174	1	Écrou
19	114-0619	1	Support
20	160-0264	1	Moteur (voir le tableau A)
21	026-0233	1	Câble
22	**	1	Ensemble du réservoir
22A	095-0038	2	Roue
22B	033-0001	2	Chapeau de moyeu
22C	094-0186	2	Tampon
22D	512-0035	2	Bague
22E	072-0006	1	Robinet de purge
22F	513-0002	2	Joint torique
22G	058-0129	2	Écrou
22H	059-0009	2	Boulon
22I	060-0156	2	Rondelle
22J	060-0202	2	Rondelle
23	098-3870	1	D'avertissement étiquette
24	065-0005	1	Manchon fileté
25	026-0030	1	Câble
26	See page 48-49	1	Ensemble du collecteur
27	093-0031	2	Poignée
28	059-0010	4	Boulon
29	See pages 52-53	1	Ensemble du pompe
30	112-0031	1	Poignée (Horizontal)
31	098-2856	1	D'avertissement étiquette

\*\* Les éléments ne sont pas disponibles comme pièces de rechange.

# DESSIN DES PIÈCES

NOTES:

- ▲ Serrez de 5 lbs.-ft.
- ▲ Serrez de 8 lbs.-ft.
- ▲ Serrez de 9 À 12 lbs.-ft.
- ▲ Serrez de 14 À 16 lbs.-ft.



## LISTE DE PIÈCES

### LPV5145 Ensemble du pompe

Item	Part No	Qty	Description
1	145-0486	1	Tube
2	065-0107	1	Coude
3	061-0238	8	Vis
4	060-0224	8	Rondelle
5	042-0121	2	Tête
6	046-0302	2	Joint, tête
7	043-0207	2	Ensemble du plaque ( <i>inclut les articles 6 et 8</i> )
8	046-0303	2	Joint, cylindre
9	019-0239	2	Filter ( <i>inclut les article 9A</i> )
9A	019-0240	2	Élément filtrant
10	054-0250	2	Jeu d'anneaux
11	069-0028	1	Pièce en t
12	048-0121	2	Ensemble du piston
13	047-0099	2	Tige
14	050-0065	2	Cylindre
15	058-0188	8	Écrou
16	060-0222	13	Rondelle
17	059-0420	8	Boulon de goujon
18	046-0304	2	Joint, carter
19	060-0195	1	Rondelle
20	056-0078	1	Bouchon
21	032-0072	1	Verre de vue de niveau d'huile
22	062-0066	1	Bouchon
23	049-0053	1	Carter
24	051-0103	1	Roulement
25	053-0107	1	Vilebrequin
26	051-0104	1	Roulement
27	046-0306	1	Joint
28	046-0305	1	Joint
29	045-0054	1	Support
30	059-0415	4	Boulon
31	044-0068	1	Volant-moteur, A
32	060-0225	1	Rondelle
33	059-0416	1	Boulon
34	056-0079	1	Reniflard
34a	060-0236	1	Rondelle
35 <i>not shown</i>	146-0026	1	Clé
39	068-0092	1	Connecteur
40	114-0619	1	Support

### Available Service Kits

	Part No	Qty	Description
36	165-0277	1	Jeu de pièces de réparation, <i>(inclut les articles 6-8, 9A, 10, 18 27 et 28)</i>
37	046-0307	1	Joints, jeu complet <i>(inclut les articles 6, 8, 18, 27, et 28)</i>
38	040-0386	1	Pompe <i>(inclut les articles 1-1-35)</i>

## GARANTIE LIMITÉE

**Les outils industriels Porter-Cable** sont garantis à partir de la date d'achat.

Garantie limitée de **DEUX (2) ANS** sur tous les compresseurs lubrifiés à l'huile

Garantie limitée **d'UN (1) AN** sur tous les compresseurs sans huile.

Cette garantie n'est pas transférable à une tierce partie.

Porter-Cable réparera ou remplacera, à ses frais, à la discrétion de Porter-Cable, tout défaut pour vice de matière ou de fabrication. Pour toute information complémentaire relative à la couverture de la garantie et aux réparations prises en charge par celle-ci, veuillez appeler le 1-(888)-895-4549 ou vous rendre sur le site [portercable.com](http://portercable.com). Cette garantie ne s'applique pas aux accessoires, ou à tout dommage causé par des réparations effectuées ou tentées par un tiers. Cette garantie ne s'applique pas aux marchandises vendues par PORTER-CABLE qui ont été fabriquées par une autre compagnie, et identifiées comme telles, comme l'essence pour les moteurs. La garantie de son fabricant, si existante, sera alors applicable. **TOUT DOMMAGE, PERTE OU DÉPENSE ACCESSOIRE, INDIRECT OU IMMATÉRIEL POUVANT RÉSULTER DE TOUT DÉFAUT, DÉFAILLANCE OU DYSFONCTIONNEMENT DU PRODUIT N'EST PAS COUVERT PAR CETTE GARANTIE.** Certains états n'autorisent aucune exclusion ou limitation de garantie contre tout préjudice accessoire ou indirect, aussi il se peut que la limitation ou l'exclusion susdite ne vous soit pas applicable. **TOUTE GARANTIE IMPLICITE, Y COMPRIS DE QUALITÉ MARCHANDE OU D'ADÉQUATION DANS UN BUT PARTICULIER, EST LIMITÉE À UN AN À COMPTER DE LA DATE D'ACHAT.**

Certains états n'autorisent aucune limitation quant à la durée de toute garantie implicite, aussi il se peut que l'exclusion susdite ne vous soit pas applicable. Cette garantie confère des droits légaux particuliers à l'acheteur, mais celui-ci pourrait aussi bénéficier d'autres droits variant d'un territoire à l'autre.

**Ce à quoi la Société s'engage :** (la société) s'engage à couvrir les pièces et la main-d'œuvre requises afin de remédier aux défauts importants constatés dans les matériaux ou dans la main-d'œuvre au cours de la première année suivant l'acquisition, sous réserve de ce qui suit. Les pièces utilisées pour la réparation des unités complètes ou des accessoires sont garanties pendant ce qui reste de la période de garantie initiale.

**Qu'est-ce qui n'est pas couvert par cette garantie?** L'incapacité de l'acheteur au détail initial d'installer, d'entretenir et d'exploiter cet équipement conformément aux pratiques industrielles normales. Les modifications apportées au produit ou le bricolage effectué sur ses composants, ou le manquement à se conformer aux recommandations spécifiques de la Société énoncées dans le manuel de l'utilisateur, rendront cette garantie nulle et non avenue. La Société rejette toute responsabilité pour les réparations, remplacements ou ajustements à l'équipement ou pour tous coûts reliés au travail effectués sur l'équipement par l'acheteur sans l'autorisation préalable écrite de la Société. Les effets de la corrosion, de l'érosion, des conditions environnementales ambiantes, des défauts de nature superficielle et les matériaux requis pour la maintenance de routine sont

expressément exclus de cette garantie. Les matériaux requis pour la maintenance de routine tels que l'huile, les lubrifiants et les filtres à air, ainsi que les changements d'huile, de filtres à air, de tension de courroie, etc. font partie de la responsabilité de l'utilisateur. Parmi les exclusions supplémentaires, il faut ajouter les dommages liés au transport, les défaillances liées à la négligence, aux accidents ou à une mauvaise utilisation, les moteurs à induction alimentés par un alternateur, les fuites d'huile, les fuites d'air, la consommation d'huile, les raccords qui fuient, les boyaux, les robinets d'évacuation d'air, les soupapes de purge et les tuyaux de transfert.

- Les composants suivants sont considérés comme des équipements sujets à usure normale et ne sont donc couverts que pendant un an après leur vente : courroies, faisceaux, volants, clapets de non-retour, manostats, déchargeurs à air, manettes d'accélération, moteurs électriques, balais, régulateurs, joints toriques, manomètres, tubes, conduits, raccords, attaches, roues, porte-outils à attache rapide, garnitures, joints d'étanchéité, logements de filtre à air, segments de piston, bielles de liaison et joints de piston.
- Les charges de main-d'œuvre, d'appels de service et de déplacements ne sont pas couvertes au-delà de la première année suivant l'acquisition pour les compresseurs fixes (compresseurs sans poignées et sans roues). Les réparations nécessitant des heures supplémentaires, des taux et tarifs de fin de semaine ou toute autre charge excédant le tarif standard de travail en atelier ne sont pas couvertes.
- Temps requis pour la formation d'orientation afin de permettre au centre de service d'obtenir accès au produit, ou du temps supplémentaire pour cause de sortie inadéquate.
- Les dommages causés par une tension incorrecte, un câblage inapproprié ou l'installation du compresseur par quelqu'un d'autre qu'un électricien professionnel agréé rendront la garantie nulle et non avenue.
- Les dommages causés par un entretien inadéquat du filtre.
- L'usure de la pompe ou l'endommagement d'une valve causé par l'emploi d'un lubrifiant contre-indiqué.
- L'usure de la pompe ou un dommage causé par une contamination d'huile.
- L'usure de la pompe ou l'endommagement d'une valve causé par le non-respect des directives d'entretien correctes.
- L'utilisation sans huile ou avec un niveau d'huile insuffisant.
- Les moteurs à essence, si le produit est équipé d'un tel moteur : se reporter au manuel d'utilisation du moteur pour la couverture de la garantie spécifique du fabricant du moteur.

**Pièces achetées séparément** : la garantie pour les pièces achetées séparément, telles que les pompes, les moteurs, etc. s'applique comme suit :

À compter de la date d'achat

- Toutes les pompes à un étage ou à deux étages 1 an

- Moteurs électriques 90 jours
- Moteur/pompe universel(le) 30 jours
- Toute autre pièce 30 jours
- Aucune autorisation de retour ne sera accordée pour les composants électriques une fois qu'ils sont installés.



**Comment obtenir du service?** Pour prétendre au droit à la réparation selon les termes de cette garantie, vous devez être l'acheteur au détail initial et fournir une preuve d'achat provenant d'un des concessionnaires, distributeurs ou détaillants de Sanborn. Les compresseurs ou composants portatifs doivent être livrés ou expédiés au Centre de réparation agréé de Sanborn le plus proche. Tous les coûts associés de transport et les charges inhérentes doivent être pris en charge par le client. Veuillez appeler le numéro d'appel sans frais 1-888-895-4549 pour obtenir de l'assistance.

CETTE GARANTIE VOUS ACCORDE DES DROITS LÉGAUX SPÉCIFIQUES ET VOUS POUVEZ BÉNÉFICIER D'AUTRES DROITS EN FONCTION DE L'ÉTAT OÙ CELLE-CI S'APPLIQUE.

LA SOCIÉTÉ N'OFFRE AUCUNE AUTRE GARANTIE NI REPRÉSENTATION DE QUELQUE SORTE QUE CE SOIT, EXPRESSE OU IMPLICITE, EXCEPTION FAITE DE LA PROPRIÉTÉ. TOUTES LES GARANTIES IMPLICITES, EN PARTICULIER TOUTE GARANTIE DE COMMERCIALISATION ET D'ADÉQUATION À UN USAGE PARTICULIER, SONT REJETÉES PAR LA PRÉSENTE. TOUTE RESPONSABILITÉ POUR DES DOMMAGES INDIRECTS ET CORRESPONDANT À L'UNE QUELCONQUE DES GARANTIES ET À L'ENSEMBLE DE CELLES-CI, À D'AUTRES CONTRATS, À LA NÉGLIGENCE OU À D'AUTRES DÉLITS CIVILS, EST EXCLUE CONFORMÉMENT AUX CLAUSES D'EXCLUSION DE LA LOI.



**REPLACEMENT GRATUIT DES ÉTIQUETTES D'AVERTISSEMENT : si les étiquettes d'avertissement deviennent illisibles ou sont manquantes, composer le (888)-895-4549 pour en obtenir le remplacement gratuit.**

 <p><b>WARNING</b> <b>AVERTISSEMENT</b> <b>ADVERTENCIA</b></p>	<p><b>HOT SURFACES:</b> To reduce the risk of burns - Do not touch exposed metal surfaces.</p> <p><b>SURFACES CHAUDES:</b> Pour réduire le risque de brûlures - Ne pas toucher aux surfaces métalliques exposées.</p> <p><b>SUPERFICIES CALIENTES:</b> Para reducir el riesgo de sufrir quemaduras - No tocar las superficies metálicas expuestas.</p>	
098-2856		

098-3670	<b>▲WARNING</b>	<b>▲AVERTISSEMENT</b>	<b>▲ADVERTENCIA</b>
	Before starting, read and understand the operator manual for safe operation and maintenance.	Avant de commencer, prenez le temps de bien comprendre le manuel de l'opérateur pour une utilisation et un entretien sûrs.	Antes de comenzar, lea y entienda el manual del operador para operar y dar mantenimiento a la unidad de manera segura.
	<b>Risk of fire or explosion</b> —Do not spray a flammable liquid in a confined area or towards a hot surface. • Spray area must be well ventilated. • Do not smoke while spraying or spray where spark or flame is present. • Arching parts—Keep compressor at least 20 feet away from explosive vapors, such as when spraying with a spray gun.	<b>Risque d'incendie ou d'explosion</b> —Ne pas pulvériser de liquide inflammable dans un endroit confiné ou vers une surface chaude. • La zone de pulvérisation doit être correctement ventilée. • Ne pas fumer pendant la pulvérisation et ne jamais pulvériser en présence d'étincelles ou de flammes. • Pièces de voûte - Installer le compresseur à au moins 6 mètres (20 pi) des vapeurs explosives comme lors de l'application de peinture au pistolet.	<b>Riesgo de incendio o explosión</b> —No rocíe líquidos inflamables en áreas confinadas ni hacia superficies calientes. • El área donde se va a rociar debe estar bien ventilada. • No fume mientras rocía, ni rocíe en presencia de chispas o llamas. • Partes que pueden producir arco. Mantenga el compresor al menos a 6 metros (20 pies) de distancia de vapores explosivos, como los que se forman cuando se usa una pistola rociadora.
	<b>Risk of electric shock</b> —Do not expose to rain. Store indoors. • Use a dedicated circuit. If connected to a circuit protected by a fuse, use time delay (marked D) fuses with this product.	<b>Risques de choc électrique</b> —Ne pas exposer à la pluie. Garder à l'intérieur. • Utiliser un circuit distinct. Si l'équipement est connecté à un circuit protégé par fusibles, employer de fusibles de marqué D.	<b>Riesgo de descarga eléctrica</b> —No exponga a la lluvia. Almacene en el interior. • Utilice un circuito dedicado. Si se conecta a un circuito protegido con un fusible, utilice fusibles con retardo (marcado D) con este producto.
	<b>Risk of bursting</b> —Do not adjust regulator to result in output pressure greater than the marked maximum pressure of attachment. If a regulator has not been installed use only attachments rated at 200 psi or higher. • Rust weakens tank, may cause explosion and severe or fatal injury/property damage. Drain condensed water from tank after each use to reduce rusting. • Never weld on or repair tank—replace by authorized dealer.	<b>Risque d'éclatement</b> —Ne pas régler le régulateur à une pression de sortie supérieure à la pression maximale des accessoires. Si aucun régulateur n'est installé, n'utiliser que des accessoires d'une capacité nominale de 200 psi ou plus. • Les réservoirs affaiblis par la rouille peuvent exploser et entraîner la mort ou de graves blessures et provoquer d'importants dommages. Vidanger l'eau de condensation du réservoir après chaque utilisation afin de réduire la corrosion. • Ne jamais souder ni réparer le réservoir - faire remplacer celui-ci par un centre de service agréé.	<b>Riesgo de explosión</b> —No ajuste el regulador de manera que la presión de salida sea mayor que la presión máxima marcada del accesorio. Si no se ha instalado un regulador, use solamente accesorios con presión nominal de 200 psi o más. • La corrosión debilita el tanque, puede causar una explosión y daños materiales graves o lesiones graves o fatales. Drene el agua condensada del tanque después de cada uso para reducir la corrosión. • Nunca solde ni repare un tanque, reemplácelo en un centro de servicio autorizado.
	<b>Risk of injury</b> —Do not direct air stream at body. • Disconnect power and drain all air pressure from tank before servicing and after each use. • Do not use compressed air for breathing. • Wear ANSI Z87 approved eye protection. • Do not operate with supplied guards removed.	<b>Risque de blessure</b> —Ne jamais diriger le jet d'air vers le corps. • Couper l'alimentation électrique et chasser toute pression d'air du réservoir avant l'entretien et après chaque usage. • Ne pas respirer l'air comprimé. • Porter des verres protecteurs homologués ANSI Z87. • Ne pas faire fonctionner si les capots protecteurs sont enlevés.	<b>Riesgo de lesiones</b> —No dirija la corriente de aire hacia el cuerpo. • Desconecte la corriente y libere toda la presión del aire del tanque antes de dar servicio y después de cada uso. • No use aire comprimido para respirar. • Use protección ocular aprobada según ANSI Z87. • No opere sin los dispositivos de protección proporcionados.
	<b>RISK OF BURSTING</b> Prevent tank corrosion. After each usage, drain all moisture from tank. <b>MOISTURE DRAIN</b>	<b>RISQUE D'ECLATEMENT</b> Prévenir la corrosion en drainant toute humidité du réservoir après chaque usage. <b>ÉVACUATION D'EAU</b>	<b>RIESGO DE EXPLOSION</b> Prevenir la corrosión del tanque. Después de cada uso drenar toda humedad del tanque. <b>DESAGÜE DE AGUA</b>
	<b>OPEN</b>		<b>ABIERTO</b>

## PIÈCES ET RÉPARATIONS

Pour pièces de rechange et réparations de votre Centre d'Entretien autorisé le plus proche. Au besoin, veuillez contacter le service après-vente (Product Service) au numéro de téléphone ou à droite.

Lorsque vous appelez un Centre d'Entretien ou le service après-vente, veuillez indiquer le numéro de modèle et le numéro de série situé sur la étiquette de série du compresseur. Une preuve d'achat est nécessaire lors de toute transaction et une copie de votre reçu peut être exigée.

Inscrivez la date d'achat au-dessus de, dans les espaces réservé à cet effet. Conservez votre reçu et ce manuel pour référence ultérieure.

Quand vous avez besoin des services de l'usine, s'il vous plaît contactez au centre d'entretien autorisé le plus proche ou composez simplement le :

### SERVICE CLIENTÈ



**Au Canada**  
**Appel gratuit**  
**Télécopieur**

**1-888-895-4549**  
**1-507-723-5013**

Model No.	Serial No.	Date Purchased

Fabriqué aux États – Unis à l'aide de composants de l'intérieur et de l'étranger

© 2011 **Sanborn Mfg.**  
Division of MAT Industries, LLC.  
Springfield, MN 56087

**1-888-895-4549**

Tous droits réservés.

## ⚠️ ADVERTENCIA

Lea y comprenda todas las precauciones de seguridad contenidas en este manual antes de utilizar esta unidad. Si no cumple con las instrucciones de este manual podría ocasionar lesiones personales, daños a la propiedad y/o la anulación de su garantía. El fabricante NO SERÁ responsable de ningún daño por no acatar estas instrucciones.



**1. RIESGO DE INCENDIO O EXPLOSIÓN.** Nunca rocíe líquidos inflamables en un área confinada. Es normal que el motor y el interruptor de presión produzcan chispas al estar en funcionamiento. Si las chispas entran en contacto con los

vapores de la gasolina o con otros disolventes, éstos podrían encenderse, causando un incendio o una explosión. Siempre opere el compresor en un lugar bien ventilado. No fume al rociar. No rocíe donde existan chispas o llama. Mantenga el compresor tan lejos del lugar de rociado como sea posible.



**2. RIESGO DE DESCARGA ELÉCTRICA.** Nunca utilice un compresor eléctrico de aire en el exterior cuando esté lloviendo ni lo coloque sobre

una superficie mojada, ya que esto podría causar descargas eléctricas.



**3. RIESGO DE LESIONES.** Esta unidad arranca automáticamente. SIEMPRE apague el compresor, quite el enchufe del tomacorrientes, y purgue toda la presión del sistema antes de realizar el servicio al compresor y cuando el compresor no esté en uso. No utilice la unidad sin las cubiertas o sin el protector de la correa ya que podría sufrir lesiones por el contacto con las piezas móviles.



**4. RIESGO DE EXPLOSIÓN.** Verifique la presión nominal máxima sugerida por el fabricante para las herramientas

y los accesorios neumáticos. La presión de salida del compresor se debe regular de tal manera que nunca se exceda la presión nominal máxima de la herramienta. Antes de conectar o retirar accesorios, alivie toda presión del tubo.



**5. RIESGO DE QUEMADURAS.** La bomba y el múltiple producen altas temperaturas.

Para prevenir quemaduras u otro tipo de heridas, NO TOQUE la bomba, el múltiple ni el tubo de transferencia mientras la bomba se está funcionando.

Permita que se enfríe antes de manipularlos o realizar el servicio necesario. Mantenga a los niños alejados del compresor en todo momento.



**6. RIESGO PARA LA RESPIRACIÓN.** Asegúrese de leer todas las etiquetas cuando esté rociando pinturas o

materiales tóxicos, y siga las instrucciones de seguridad. Use una careta respiratoria si existe la posibilidad de inhalar algún producto al rociar. Lea todas las instrucciones y asegúrese de que su careta respiratoria le proteja. Nunca inhale directamente el aire comprimido producido por un compresor. No es adecuado para respirar.



**7. RIESGO DE LESIONES**

**OCULARES.** Cuando utilice un compresor de aire siempre use

gafas de seguridad aprobadas según ANSI Z87.1. Nunca dirija la boquilla ni el rociador hacia una persona ni hacia alguna parte del cuerpo. El equipo puede causar una lesión grave si el rocío penetra en la piel.



**8. RIESGO DE EXPLOSIÓN.**

No ajuste la válvula de alivio. En caso contrario, se anularán todas las garantías. La válvula

de alivio fue ajustada de fábrica para que la unidad funcione a su presión máxima. Si se altera la válvula podría ocurrir un accidente con lesiones a personas o daños a la propiedad.



**9. RIESGO DE EXPLOSIÓN.** No use tubería de plástico ni de PVC para el sistema de aire comprimido. Use sólo tubería y conectores de acero

galvanizado para las líneas de distribución de aire comprimido.



**10. RIESGO AL SENTIDO DEL OÍDO.** Siempre use protectores auditivos cuando use un

compresor de aire. Si no lo hace podría sufrir pérdida de la audición.



**11.** El cable de energía de este producto contiene plomo, un elemento químico que según el Estado de California puede

producir cáncer y malformaciones de nacimiento u otros problemas de reproducción. **Lávese las manos después de utilizarlo.**

**NOTA: CABLEADO ELECTRICO.**

Refiérase al rótulo del número de serie del compresor de aire para conocer los requerimientos de voltaje y amperaje de la unidad.

**⚠ PELIGRO**



**RIESGO DE EXPLOSIÓN.**

Tanque de aire: El 26 de febrero de 2002, la Comisión de Seguridad para Productos de Consumo de los Estados Unidos publicó el Comunicado # 02-108 sobre la seguridad en los tanques de compresores de aire:

Los tanques receptores de los compresores de aire no tienen una vida útil infinita. La vida útil del tanque depende de diversos factores, incluyendo las condiciones de operación, las condiciones ambientales, la instalación debida del mismo, modificaciones realizadas en el campo y el nivel de mantenimiento que reciba. Es difícil prever cuál será el efecto exacto de estos factores sobre la vida útil del tanque receptor de aire.

Si no se siguen procedimientos de mantenimiento debidos, la corrosión interna de la pared interior del tanque receptor de aire puede causar una ruptura imprevista en el tanque de aire, lo que hará que el aire presurizado escape con fuerza y repentinamente, pudiendo lesionar al usuario.

El tanque de su compresor de aire debe ser dado de baja al final del año que aparece en la etiqueta de advertencia de su tanque.

Las siguientes condiciones pueden llevar a debilitar el tanque de aire y ocasionar la explosión violenta del mismo:

**¿QUÉ PUEDE SUCEDER?**

- No drenar correctamente el agua condensada del tanque de aire, que provoca óxido y adelgazamiento del tanque de aire de acero.
- Modificaciones o intento de reparación del tanque de aire.
- Las modificaciones no autorizadas de la válvula de seguridad o cualquier otro componente que controle la presión del tanque.

**CÓMO EVITARLO**

- Drene el tanque diariamente o luego de cada uso. Si un tanque de aire presenta una pérdida, reemplácelo inmediatamente con un tanque nuevo o reemplace todo el compresor.
- Nunca perforo, suelde o haga ninguna modificación al tanque de aire o a sus elementos. Nunca intente reparar un tanque de aire dañado o con pérdidas. Reemplácelo con un tanque de aire nuevo.
- El tanque está diseñado para soportar determinadas presiones de operación. Nunca realice ajustes ni sustituya piezas para cambiar las presiones de operación fijadas en la fábrica.

**⚠ ADVERTENCIA**

1. Elimine la humedad del tanque todos los días. Un tanque limpio y seco ayudará a evitar la corrosión.
2. Tire del anillo de la válvula de alivio de la presión todos los días para asegurarse de que la válvula esté funcionando adecuadamente y para eliminar cualquier obstrucción en la válvula.
3. A fin de lograr una ventilación adecuada para el enfriamiento, el compresor debe mantenerse a un mínimo de 31 cm (12 pulgadas) de la pared más cercana, en una zona bien ventilada.

4. Para evitar daños al tanque y al compresor en modelos fijos, se debe calzar el tanque de manera que la base de la bomba quede nivelada dentro de 3 mm (1/8") , a fin de distribuir correctamente el aceite. Se deben apoyar todos las patas, calzando donde sea necesario, antes de fijarlas al piso. Asegure todas las pies en el piso. También se recomienda el uso de calzos antivibratorios (094-0137) debajo de las patas del tanque.

5. Sujete el compresor muy bien si es necesario su transporte. Debe liberarse la presión del tanque antes de su transporte.

6. Proteja la manguera de aire contra daños y pinchaduras. Inspecciónelos todas las semanas para comprobar que no existen zonas débiles o desgastadas, y reemplácelos si fuera necesario.

7. Para reducir el riesgo de choque eléctrico, proteja la unidad de la lluvia. Almacene en el interior.

## ⚠ ADVERTENCIA

**ADVERTENCIA DE LA PROPUESTA DE LEY 65 DE CALIFORNIA:** Este producto contiene sustancias químicas que, consta al Estado de California, producen cáncer, malformaciones congénitas o daños reproductivos.

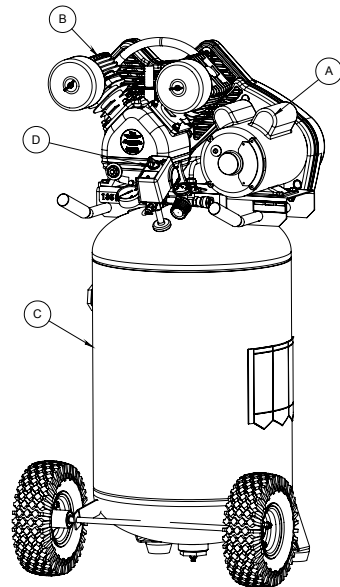
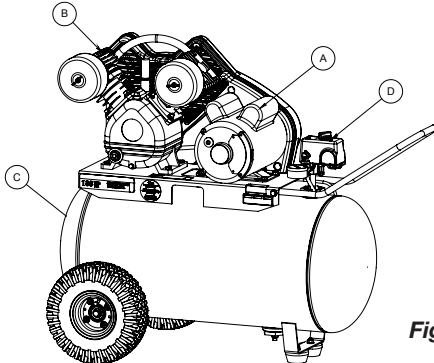
## TABLEAU DES SPÉCIFICATIONS

MODÉLE	RUNNING H.P. (CV)	CAPACIDAD DEL TANQUE (LITROS)	VOLTAJE/ AMP/ FASE	PRESION DE CONEXION	PRESION DE DISCONEXION
PXCMP1682066	1.6	20 (75,7)	120/240/ 15/7.5/ 1	105 (7,24 bar)	135 (9,31 bar)
PXCML1683066	1.6	30 (113,6)	120/240/ 15/7.5/ 1	105 (7,24 bar)	135 (9,31 bar)

## COMPONENTS BÁSICOS DEL COMPRESOR DE AIRE

Los componentes básicos del compresor de aire son el motor eléctrico, la bomba, el interruptor de presión y el tanque (**Fig. 1**).

El **motor eléctrico** (vea **A**) acciona la bomba. El motor eléctrico está equipado con un **protector contra sobrecarga** para ayudar a evitar el quemado posible del motor. Si el motor llegará a sobrecalentarse,



**Fig. 1**

el protector contra sobrecarga lo apagará. En caso de ocurrir esto, permita que el motor se enfríe durante 10 a 15 minutos y luego presione (nunca fuerce) el interruptor de restablecimiento del motor para volver a arrancar el motor.

La bomba (vea **B**) comprime el aire y lo descarga hacia el tanque.

El tanque (vea **C**) almacena el aire comprimido.

El interruptor de presión (vea **D**) apaga el motor y alivia la presión del aire en la bomba y el tubo de transferencia cuando

la presión del aire en el tanque alcanza el límite establecido en fábrica. Al ir usándose el aire comprimido y bajar el nivel de presión en el tanque hasta llegar al nivel preestablecido, el interruptor de presión vuelve a arrancar el motor y la bomba continúa comprimiendo el aire.

El **salida de la línea de aire** (vea **E**). Conecte la manguera de aire de 6.35 mm (1/4") NPT en esta salida.

## MONTAJE DEL COMPRESOR



**LA BOMBA SE ENVIA SIN ACEITE. Poner aceite en la bomba hasta la marca correcta y verificar el nivel con frecuencia. Utilice aceite para compresores de aire de mezcla sintética sin detergentes.**

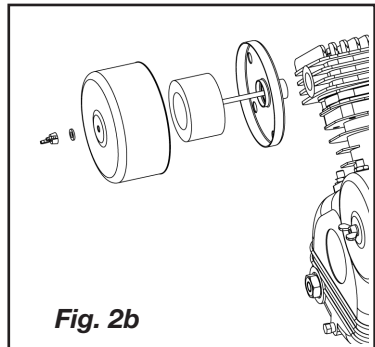
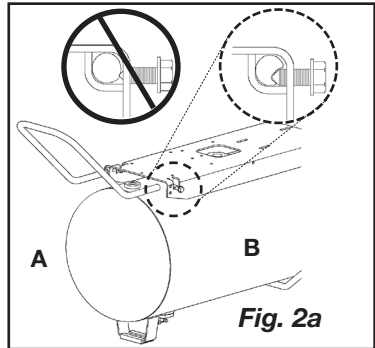
1. Desembale el compresor de aire. Inspeccione la unidad para verificar que no sufrió daños. Si la unidad ha sido dañada durante el transporte, comuníquese con la empresa transportadora y complete una reclamación por daños. Haga esto de inmediato porque existen limitaciones de tiempo respecto a las reclamaciones por daños.

La caja debe contener los elementos siguientes:

- compresor de aire
- operador/piezas manuales
- montaje del filtro de aire
- 12 onzas. (355 ml) botella de aceite

2. Verifique el rótulo del número de serie del compresor para asegurarse de que haya recibido el modelo que pidió y que el mismo tenga la presión nominal requerida para el uso deseado.
3. Attach a manejar el compresor como se muestra en la Fig. 2a.
4. Attach filtro de aire a la bomba de ensamblas, como se muestra en la fig. 2 ter.
5. Ubique el compresor de acuerdo con las pautas siguientes:

- a. Ubique el compresor cerca de un tomacorriente eléctrico conectado a tierra (consulte INSTRUCCIONES DE PUESTA A TIERRA). **Evite el uso de un cordón prolongador**; es preferible usar una manguera más larga.
- b. El lado del volante del compresor se debe encontrar cuando menos a 31 cm (12 pulgadas) de cualquier pared u obstáculo, en un área limpia y bien ventilada, a fin de asegurar el flujo del aire y el enfriamiento adecuados.



- c. En climas fríos, almacene el compresor portátil en un edificio con calefacción. Esto reducirá problemas de lubricación, arranque del motor y congelamiento del agua de condensación.
  - d. El compresor debe estar nivelado para asegurar una buena lubricación de la bomba y un buen drenaje del agua condensada en el tanque receptor.
6. Conecte una manguera de aire (no incluida) con el enchufe múltiple.

## CONTROLES DEL COMPRESOR

**Refiera a fig. 3.**

### **Interruptor de presión (vea A)**

Este interruptor enciende el compresor. Se opera manualmente, pero cuando está en la posición ON, permite que el compresor arranque o se pare automáticamente, sin aviso, según la demanda de aire. SIEMPRE coloque este interruptor en la posición OFF cuando el compresor no esté en uso y antes de desconectarlo.

### **Válvula de alivio de presión (vea B)**

Si el interruptor de presión no apaga el motor cuando la presión alcanza el nivel de desconexión, esta válvula se abrirá automáticamente para evitar una sobrepresión. Para accionarla manualmente, tire del anillo en la válvula de alivio de la presión del aire en el tanque.

### **Manómetro del tanque (vea C)**

Este manómetro mide la presión del aire almacenado en el tanque. No es ajustable por el operador y no indica la presión de la línea.

### **Regulador de presión de aire (vea D)**

El regulador de presión de aire permite ajustar la presión en la línea que conecta la herramienta que se está usando.

### **⚠ ADVERTENCIA**

**Riesgo de lesiones. Nunca sobrepase el índice máximo de presión de la herramienta.**

Gire la perilla a la derecha para aumentar la presión, y a la izquierda para disminuirla.

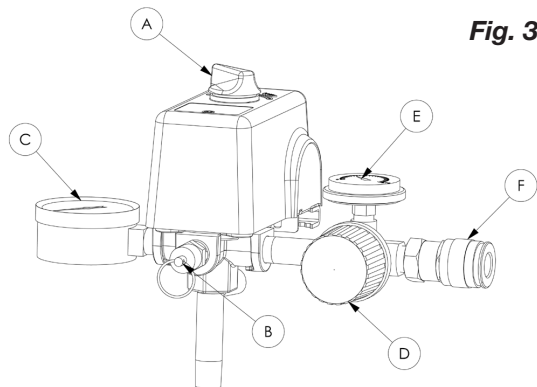
### **Manómetro regulado (vea E)**

Este manómetro mide la presión regulada de salida.

### **Salida de la línea de aire**

(vea F)

Conecte la manguera de aire de 6.35 mm (1/4") NPT en esta salida.



**Fig. 3**

# REQUERIMIENTOS DE ALIMENTACION ELECTRICA

## CABLEADO ELÉCTRICO

Consulte el rótulo del número de serie del compresor de aire para ver los requerimientos de voltaje y amperaje de la unidad.

### Use un circuito exclusivo

**Para el mejor rendimiento y un arranque confiable, el compresor de aire debe conectarse en un circuito exclusivo, tan cerca como sea posible de la caja de fusibles o del cortacircuito.** El compresor utilizará la capacidad máxima de un circuito de 15 amperios de una casa normal. Si hay otros equipos eléctricos que estén consumiendo energía del circuito al cual está conectado el compresor, es posible que éste no arranque. Un voltaje bajo o un circuito sobrecargado puede causar un arranque lento que causará que salte el interruptor de reposicionamiento del motor o el cortacircuito, especialmente en condiciones de baja temperatura.

**NOTA:** Se recomienda un disyuntor. Si el compresor de aire se conecta a un circuito protegido por un fusible, utilice fusibles temporizados de doble elemento (sólo Buss Fusetron tipo "T").

## CORDONES PROLONGADORES

**NOTA:** Evite el uso de cordones prolongadores.

Para obtener un rendimiento óptimo, enchufe el cordón eléctrico del compresor directamente en un tomacorriente de pared conectado a tierra. No use un cordón prolongador a menos que sea absolutamente necesario.

Como alternativa, intente utilizar una manguera de aire más larga para llegar a la zona donde se requiere aire, el cable no debe tener una longitud mayor que 9.1 m (50 pies) y un alambre con calibre mínimo de 12 (AWG). No use cables de extensión de calibre 14 ni 16.

Use solamente un cordón de 3 alambres que tenga un enchufe de 3 patas y un receptáculo de 3 ranuras que permita el enchufe del producto. Asegúrese de que su cordón prolongador esté en buenas condiciones. Un cordón demasiado pequeño causará una caída en el voltaje de la línea, causando una pérdida en la energía y un sobrecalentamiento. Cuanto más pequeño sea el número de calibre, tanto más pesado será el cordón.

## INSTRUCCIONES DE CONEXIÓN A TIERRA PARA MODELOS CONECTADOS CON CORDÓN:

Este producto debe conectarse a tierra. En el caso de un cortocircuito eléctrico, la conexión a tierra reduce el riesgo de choque eléctrico pues ofrece un escape para la corriente eléctrica.

Este producto está equipado con un cordón que tiene un alambre de conexión a tierra con su enchufe correspondiente. El enchufe debe conectarse en un tomacorriente que esté bien instalado y conectado a tierra de acuerdo con todos los códigos y ordenanzas locales.

**Nota:** No todas las unidades incluyen un cordón eléctrico.



### **⚠ PELIGRO**

La instalación incorrecta del enchufe de conexión a tierra puede causar un riesgo de descarga eléctrica. En caso de ser necesario reparar o cambiar el cordón o el enchufe, no conecte el alambre de conexión a tierra en ninguno de las terminales de pata plana. El alambre de conexión a tierra tiene aislamiento de color verde con rayas amarillas o sin ellas.

Este producto se debe usar en un circuito de 115 ó 230 voltios nominales. Se deberá usar un enchufe con un terminal conectado a tierra, tal como el mostrado aquí.

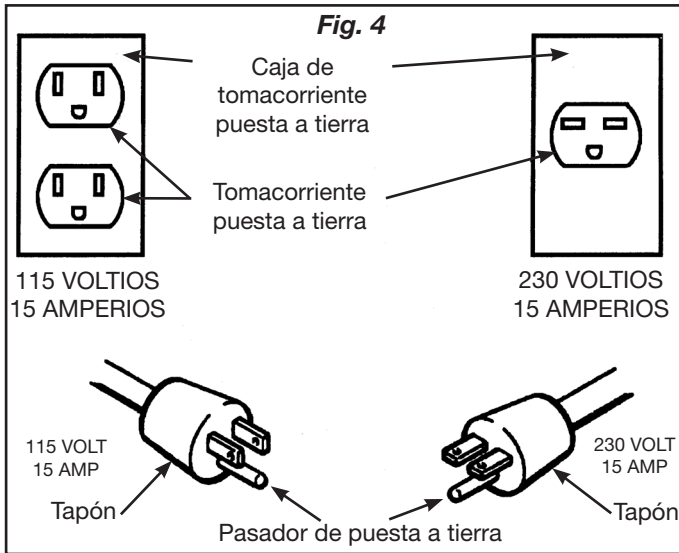
Asegúrese de que el producto esté conectado a un tomacorriente que tenga la misma configuración que el enchufe



(Fig. 4). No debe usarse ningún adaptador con este producto.

Consulte con un electricista capacitado si no comprende completamente las instrucciones de conexión a tierra, o si tiene dudas con respecto a si el producto está correctamente conectado a tierra. No modifique el enchufe provisto; si no encaja en el tomacorriente, haga que un electricista capacitado instale un tomacorriente adecuado.

**PARA MODELOS CON CONEXIÓN PERMANENTE O MODELOS ENTREGADOS SIN CORDÓN ELÉCTRICO:** Este producto debe conectarse a un sistema permanente de cableado metálico de puesta a tierra o a un terminal o cable de puesta a tierra del producto.



## RESTABLECIMIENTO Y CABLEADO DEL MOTOR

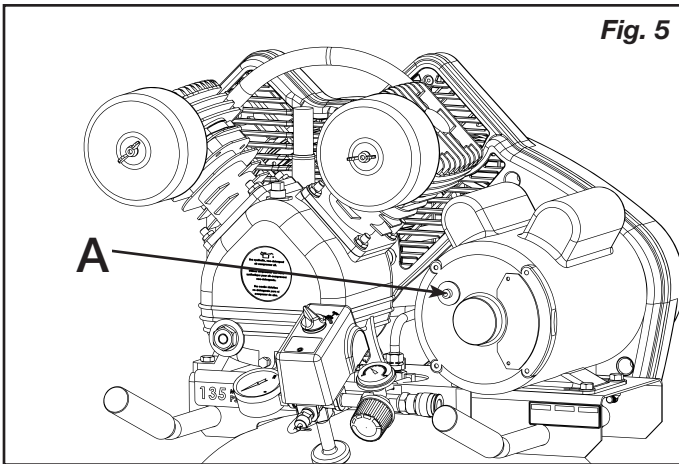
### ⚠ ADVERTENCIA

Asegúrese de que todos los protectores y cubiertas estén colocados en su lugar antes de presionar el interruptor de restablecimiento para volver a arrancar el motor.

Si el motor se apaga debido a una sobrecarga, espere entre 10 y 15 minutos para que el motor pueda enfriarse y luego presione (NUNCA fuerce) el interruptor de restablecimiento (vea **A**) para volver a arrancar el motor (**Fig. 5**).

**NOTA:** Algunos modelos están equipados con un motor de voltaje doble de 115/230 voltios. La mayoría de los motores se conectan en la fábrica para que funcionen a 115 voltios. Si la conversión a partir de 115 voltios a 230 voltios se requiere, refiera a la placa de identificación del motor y haga que la conversión sea terminada por un electricista licenciado.

**Nota:** En los modelos inmóviles no provistos de un cable eléctrico, la corriente eléctrica se debe atar con alambre en el interruptor de presión por un electricista licenciado.



**Fig. 5**

## MARCHA INICIAL DE LA BOMBA

**ESPERE**

**LA BOMBA SE ENVIA SIN ACEITE. Poner aceite en la bomba hasta la marca correcta y verificar el nivel con frecuencia. Utilice aceite para compresores de aire de mezcla sintética sin detergentes.**

1. Verifique el nivel de aceite en cada bomba con la mirilla de vidrio. El nivel de aceite en la bomba debe estar en la marca correspondiente a "lleno" en la mirilla de vidrio (vea **A** y **B**) (**Fig. 6**). No ponga demasiado ni muy poco aceite en la bomba.
2. Coloque el conmutador activado por presión en la posición APAGADO. (vea **C**).
3. Abra la llave de descompresión (vea **F**).
4. Enchufe el cordón eléctrico.
5. Coloque el conmutador activado por presión en la posición ENCENDIDO (vea **D**). El compresor arrancará. Permita el funcionamiento del compresor durante 30 minutos, a fin de suavizar los componentes internos.

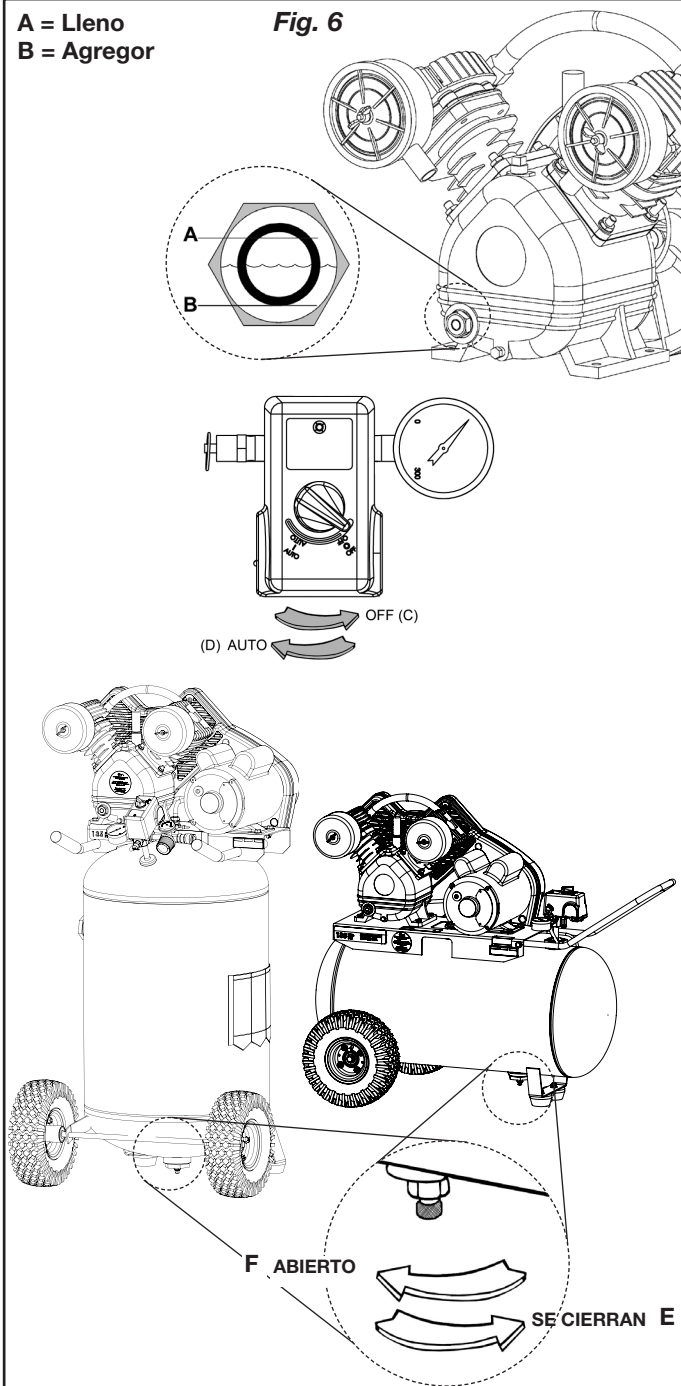
**NOTA:** Si después de 30 minutos la unidad no opera correctamente, APÁGUELA INMEDIATAMENTE y póngase en contacto con el Centro de Servicio.

6. Después de aproximadamente 30 minutos, coloque el conmutador activado por presión en la posición APAGADO.
7. Cierre la llave de descompresión. (vea **E**).
8. Coloque el conmutador activado por presión en la posición (ENCENDIDO). Hágalo girar hacia la derecha. El compresor comenzará a funcionar, llenará el tanque hasta la presión de desconexión y dejará de funcionar.

**NOTA:** Al utilizar el aire comprimido, el interruptor de presión arrancará automáticamente el motor.

A = Lleno  
B = Agregor

Fig. 6



# INSTRUCCIONES OPERATIVAS

## ARRANQUE DIARIO

1. Todos los días verifique la mirilla para asegurarse de que el nivel de aceite en cada bomba esté al nivel reuerido. El nivel de aceite en la bomba debe estar en la marca correspondiente a “lleno” en la mirilla de vífrio (vea **A** y **B**) (**Fig. 6**). No ponga demasiado ni muy poco aceite en la bomba.
2. Coloque el conmutador activado por presión en la posición APAGADO (vea **C**).
3. Cierre la llave de descompresión del tanque (vea **E**).
4. Enchufe el cordón eléctrico.



### ⚠ ADVERTENCIA

El motor eléctrico y la bomba producen altas temperaturas. Para evitar quemaduras y otras lesiones, NO toque el compresor durante su funcionamiento. Permita que se enfríe antes de manipular o realizar el servicio. Mantenga a los niños alejados del compresor en todo momento.

5. Coloque el conmutador activado por presión en la posición ENCENDIDO (vea **D**).



### ⚠ ADVERTENCIA

Al efectuar un ajuste desde una presión más alta a una más baja, gire la perilla a la izquierda hasta que sobrepase el ajuste deseado, después gire a la derecha hasta alcanzar la presión deseada. No exceda la presión de operación de la herramienta o del accesorio que esté usando.

6. Si su compresor tiene un regulador de presión, ajústelo en la presión de trabajo de la herramienta.

## PARADA

1. Coloque el conmutador activado por presión en la posición APAGADO (vea **C**).
2. Desenchufe el cordón eléctrico.
3. Reduzca la presión en el tanque a través de la manguera de salida. También puede tirar del anillo de la válvula de alivio (vea **G**) y mantenerla abierta para aliviar la presión en el tanque



### ⚠ ADVERTENCIA

El aire y la humedad que escapan del tanque pueden arrojar desechos que podrían causarle daño en los ojos. Al abrir la llave de descompresión use gafas de seguridad.

4. Abra la llave de descompresión (vea **F**) para permitir que la humedad salga del tanque.

# MANTENIMIENTO

## MANTENIMIENTO

### ⚠ ADVERTENCIA

Para evitar lesiones personales, siempre apague y desenchufe el compresor y alivie toda la presión de aire del sistema antes de realizar algún tipo de servicio en el compresor de aire.

El mantenimiento regular asegurará una operación sin problemas. Su compresor de aire con alimentación eléctrica representa lo mejor en ingeniería y construcción; sin embargo, aún la maquinaria de mejor calidad requiere un mantenimiento periódico. Los elementos enumerados a continuación deben inspeccionarse de manera regular.

## DESAGUE DEL TANQUE



### ⚠ ADVERTENCIA

La condensación se acumulará en el tanque. Para evitar la corrosión del tanque desde el interior, esta humedad debe ser drenada al final de cada día de trabajo.



### ⚠ ADVERTENCIA

Asegúrese de utilizar protección ocular. Alivie la presión de aire en el sistema y abra la llave de descompresión que se encuentra en el fondo del tanque para drenar.

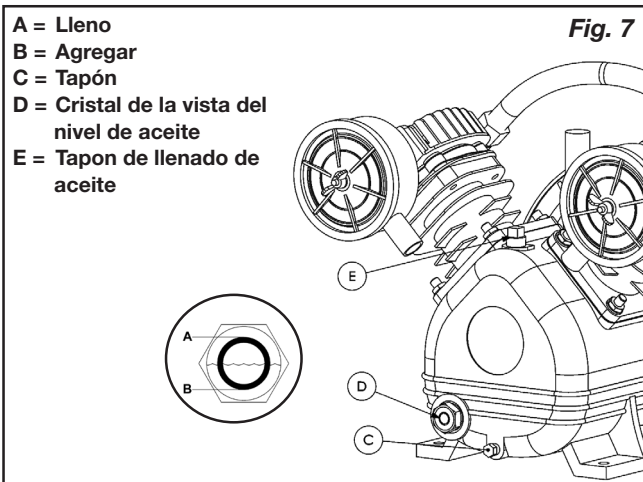
## VERIFICACION DEL NIVEL DE ACEITE

Revise el nivel de aceite en la bomba a través de la mirilla. El nivel de aceite de la bomba debe estar entre A y B (vea la figura7). No llene de manera excesiva o insuficiente.

## CAMBIO DE ACEITE

**NOTA:** Utilice aceite para compresores de aire de mezcla sintética sin detergentes.

Quite el tapón de aceite (C) (figura7) y drene el aceite hasta que comience a gotear; luego cierre el tapón. Agregue aceite a la bomba, quitando primero el tapón respirador (E). Agregue aceite hasta que el nivel a través de la mirilla (D) esté entre FULL (A) (lleno) y ADD (B) (añadir) (approx. 395 ml). Nunca llene la



bomba de manera excesiva o insuficiente.

**NOTA:** La compresora se entrega llena de aceite sintético. Utilice aceite para compresores de aire de mezcla sintética sin detergentes.

## TENSIÓN DE LA CORREA Y ALINEACIÓN DE LA POLEA

### ⚠ ADVERTENCIA

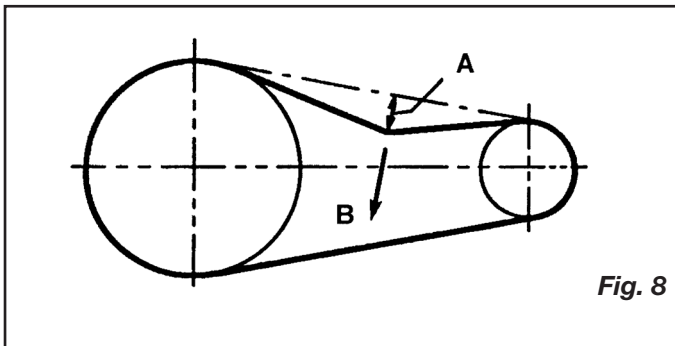
Para evitar lesiones personales, siempre apague y desenchufe el compresor y alivie toda la presión de aire del sistema antes de realizar algún tipo de servicio en el compresor de aire.

**NOTA:** El ajuste de la tensión de la correa de transmisión y la alineación de la polea se realizan al mismo tiempo. Se explican por separado para mayor claridad.

### AJUSTE DE LA TENSIÓN DE LA CORREA

Se debe mantenerse la tensión correcta de la correa y la alineación adecuada de la polea para obtener una máxima eficiencia de accionamiento y vida útil de la correa. La tensión es correcta si ocurre una deflexión (vea A) de 13 mm (1/2") al colocar 2,3 kg (5 lb) de fuerza (vea B) en el medio entre la polea del motor y el volante del compresor (Fig. 8). Esta deflexión puede ajustarse mediante el procedimiento siguiente. La polea debe alinearse cuidadosamente con el volante y todos los tornillos de fijación deben mantenerse ajustados.

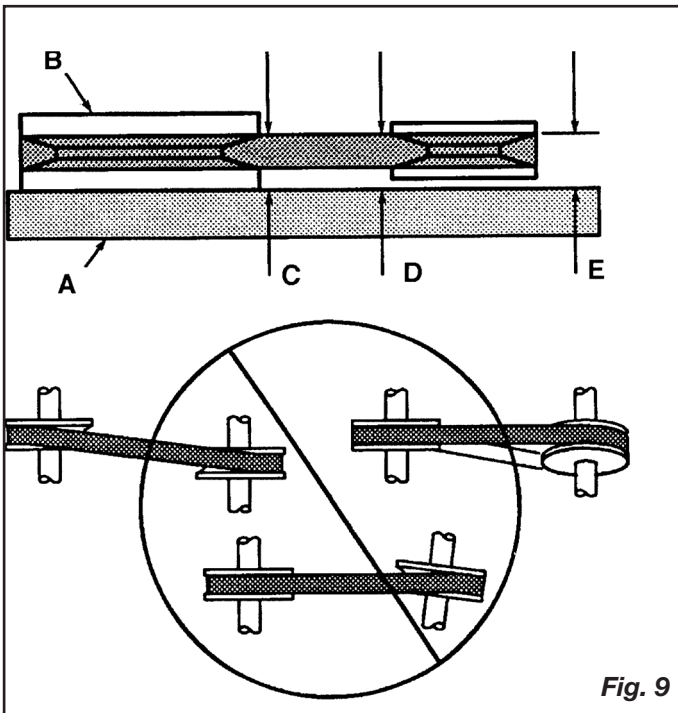
1. Retire el protector de la correa.
2. Afloje los pernos de montaje del motor.
3. Desplace el motor hasta el punto en el cual exista la deflexión correcta.
4. Vuelva a ajustar los pernos de montaje del motor.
5. Verifique para asegurarse de que la tensión se mantuvo correcta.
6. Vuelva a instalar el protector de la correa. Todas las piezas móviles deben estar protegidas



## ALINEACIÓN DE LA POLEA

Para verificar la alineación de la polea, retire el protector de la correa y coloque una regla (vea **A**) contra el volante de la bomba (vea **B**) (**Fig. 9**). Mida y registre la distancia desde la regla al borde de la correa de transmisión en el punto C. Luego mida la distancia desde la regla al borde de la correa de transmisión nuevamente en los puntos D y E. Ambas distancias deben ser iguales a la del punto C. Si D o E resultan distintas de C, existe una mala alineación que debe ser corregida antes de hacer funcionar el compresor. Para corregir una mala alineación de la polea, aplique el procedimiento siguiente.

1. Retire el protector de la correa.
2. Afloje los pernos de montaje del motor.
3. Afloje el tornillo de fijación de la polea del motor.
4. Alinee la polea del motor con el volante de la bomba ( $C = D = E$ ).
5. Vuelva a ajustar el tornillo de fijación de la polea del motor.
6. Ajuste la tensión correcta de la correa.
7. Vuelva a ajustar los pernos de montaje del motor.
8. Vuelva a instalar el protector de la correa. Todas las piezas móviles deben quedar protegidas.



**Fig. 9**

## MANTENIMIENTO

### LIMPIEZA DEL FILTRO DE AIRE

Un filtro de aire sucio reducirá el rendimiento y la vida útil del compresor. Para evitar cualquier contaminación interna de la bomba del compresor, el filtro debe limpiarse frecuentemente y reemplazarse de manera regular. Los filtros de fieltro deben limpiarse en agua jabonosa tibia. No permita que los filtros se llenen de suciedad ni pintura. Si el filtro se llena de pintura, deberá reemplazarse. La exposición directa a condiciones de suciedad y zonas en las que estén pintando anularán su garantía.

### REVISIÓN DE LA VÁLVULA DE ALIVIO

Tire de la válvula de alivio todos los días para asegurarse de que esté operando correctamente y para eliminar cualquier obstrucción posible de la misma.

### DETECCIÓN DE FUGAS

Compruebe que todas las conexiones estén ajustadas. Una pequeña fuga en cualquiera de las mangueras, tubos de transferencia o tubería reducirá de manera substancial el rendimiento de su compresor de aire. Si sospecha la existencia de una fuga, rocíe una pequeña cantidad de agua jabonosa alrededor de la zona con una botella rociadora. Si aparecen burbujas, selle y ajuste nuevamente la conexión. No ajuste demasiado.

### ALMACENAMIENTO

Antes de almacenar el compresor durante períodos prolongados, use un soplete de aire para limpiar todo el polvo y suciedad del compresor. Desconecte el cordón eléctrico, enrollándolo. Tire de la válvula de alivio de la presión para liberar toda la presión del tanque. Elimine toda la humedad del tanque. Limpie los elementos y el alojamiento del filtro; reemplácelos si fuera necesario. Drene el aceite del cárter de la bomba y reemplácelo con aceite nuevo. Cubra toda la unidad para protegerla de la humedad y del polvo.

## INTERVALOS DE SERVICIO

Realice el mantenimiento siguiente a los intervalos indicados a continuación.

**Inspección y limpieza del filtro de aire de entrada.....A diario**

**Verificación del nivel de aceite en la bomba.....A diario**

**Cambio del aceite de la bomba ..... Cada 100 horas de operación**  
*Utilice aceite para compresores de aire de mezcla sintética sin detergentes.*

**Operación de todas las válvulas  
de alivio de la presión .....50 horas de operación**

**Drenaje del tanque .....A diario**

**Verificación y ajuste de todos los pernos  
(no ajuste demasiado)..... Cada 100 horas de operación**



## CUADRO DE DETECCIÓN DE FALLOS

**Nota:** Los problemas de detección de fallos pueden tener causas y soluciones similares.

PROBLEMA	CAUSE POSIBLE	SOLUCIÓN
<b>Consumo excesivo de la corriente hace saltar el cortacircuito o el interruptor de restablecimiento del motor</b>	Volaje bajo/sobrecarga del motor	Verifique que el suministro de energía sea el adecuado y que el compresor se encuentre conectado en un circuito exclusivo. Si está usando un cordón prolongador, intente utilizar el equipo sin el mismo. Si el compresor de aire se conecta a un circuito protegido por un fusible, utilice fusibles temporizados de doble elemento (sólo Buss Fusetron tipo "T").
	Correa de transmisión demasiado ajustada	Vuelva a ajustar la tensión de la correa.
	Pasajes de aire restringidos	Inspeccione y reemplace los tubos de transferencia o la válvula de retención, según sea necesario.
<b>Se detiene el compresor</b>	Bajo voltaje al motor	Suministre la energía adecuada.
	Válvula de retención dañada.	Reemplace la válvula de retención.
	Bomba tomada	Póngase en contacto con el centro de servicio autorizado.
<b>Baja presión de descarga</b>	Fugas de aire	Ajuste o reemplace los accesorios o las conexiones con fugas. No a priete demasiado.
	Válvulas con fugas	Póngase en contacto con el centro de servicio autorizado.
	Entrada de aire restringida	Limpie o reemplace los elementos del filtro de aire.
	Juntas salidas	Póngase en contacto con el centro de servicio autorizado.
	Anillos del pistón o cilindro desgastados	Póngase en contacto con el centro de servicio autorizado.

<b>PROBLEMA</b>	<b>CAUSE POSIBLE</b>	<b>SOLUCIÓN</b>
<b>Golpeteo de la bomba del compresor</b>	Polea del motor o volante del compresor suelto	Vuelva a ajustar la polea y el volante. Verifique la alineación.
	Bajo nivel de aceite en el cárter de la bomba	Mantenga el nivel adecuado de aceite en todo momento.
	Demasiado carbón en las válvulas o en la parte superior del pistón	Póngase en contacto con el centro de servicio autorizado.
<b>Aceite en el aire de descarga</b>	Anillos de pistón o cilindros desgastados	Póngase en contacto con el centro de servicio autorizado.
	Entrada de aire restringida	Limpie o reemplace los elementos del filtro.
	Nivel de aceite demasiado alto	Reduzca hasta el nivel adecuado.
<b>Sobrecalentamiento</b>	Mala ventilación	Vuelva a ubicar el compresor en una zona con aire fresco, seco y bien circulado, por lo menos a 30 cm (12") de la pared más cercana.
	Superficies de enfriamiento sucias	Limpie muy bien todas las superficies de enfriamiento.
	Pasajes de aire restringidos	Cambie los tubos de transferencia y/o el descargador.
<b>Desgaste excesivo de la correa</b>	La polea está desalineada	Vuelva a alinear la polea con el volante del compresor.
	Mala tensión de la correa	Vuelva a ajustar..
	La polea se tambalea	Reemplace la polea y verifique si el eje o el volante está dañado.
<b>El compresor no arranca en temperaturas frías</b>	Demasiada contrapresión en el tanque	Abra la llave de descompresión al arrancar el motor.
	Aceite de 40W en el cárter	Utilice aceite para compresores de aire de mezcla sintética sin detergentes.
	El compresor está demasiado frío	Mueva el compresor a un lugar más cálido.

## GLOSARIO DE TERMINOS

### **l/min**

Litros por minuto; una unidad de la medida de flujo de aire.

### **Bar**

Es una unidad de medida de la presión del aire.

### **Presión de conexión**

Punto de presión baja fijado en fábrica que arranca el motor de la bomba para volver a presurizar el tanque de aire a una presión más elevada.

### **Presión de desconexión**

Punto de presión alta fijado en fábrica que impide que el motor de la bomba aumente la presión en el tanque por encima de un cierto nivel.

### **Bien ventilado**

Un medio de proveer aire fresco para contrarrestar el escape de gases o los vapores peligrosos.

### **Circuito dedicado**

Un circuito eléctrico reservado para uso exclusivo del compresor de aire.

### **ASME**

American Society of Industrial Engineers.

Indica que los componentes se fabricaron, probaron y examinaron de acuerdo con las especificaciones establecidas por ASME



### **La asociación canadiense de los estándares**

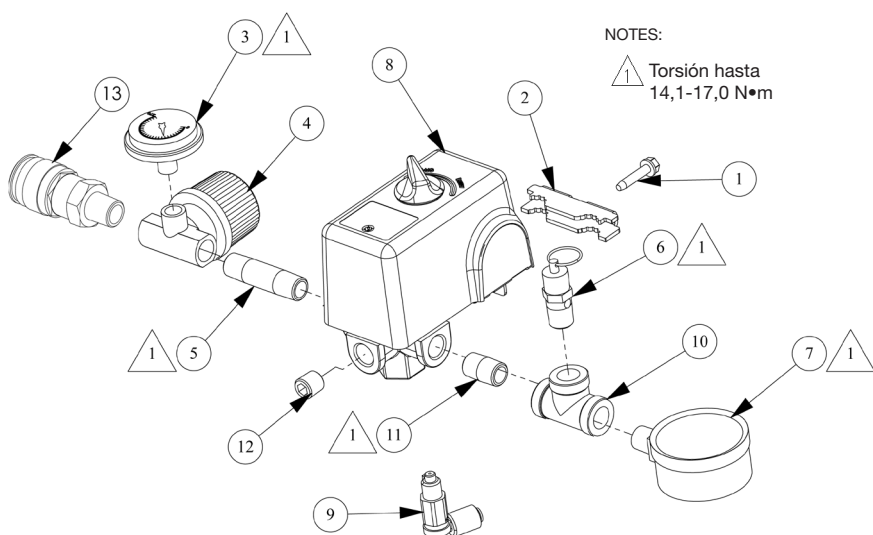
Indica que los productos que hacen esta marca haber sido fabricados, haber sido probados y haber examinado a los estándares que son fijados por CSA.



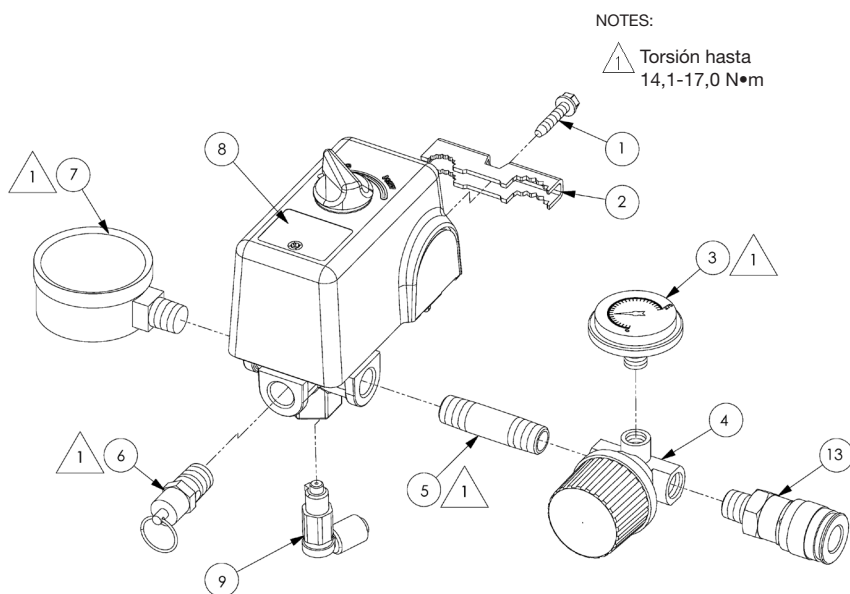
### **La asociación canadiense de los estándares (los E.E.U.U.)**

Indica que los productos que hacen esta marca haber fabricado, probado y examinado a los estándares que son fijados por CSA. Estos productos también se conforman con el estándar 1450 de U.L..

# ESQUEMA DE LA PIEZAS



**El tanque horizontal**



**El tanque vertical**

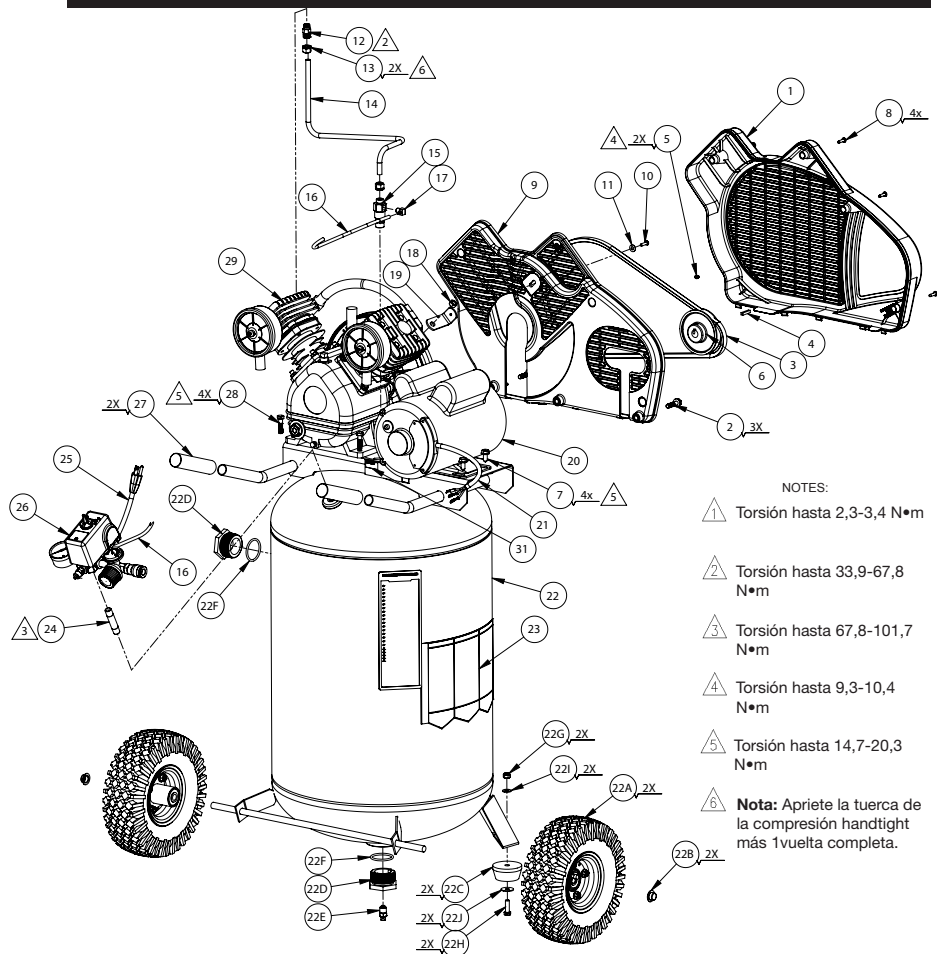
## LISTA DE LA PIEZAS

Article	Nº / P	Qté	Description
1	061-0216	1	Tornillo
2	071-0033	1	Aliviador de esfuerzo
3	032-0056	1	Manómetro
4	019-0167	1	Regulador
5	065-0004	1	Niple
6	136-0005	1	Válvula
7	032-0025	1	Manómetro
8	034-0226	1	Manómetro
			<i>incluye los artículos 1, 2 y 9</i>
9	136-0090	1	Válvula
10	069-0004	1	Te
11	065-0085	1	Niple
12	062-0035	1	Enchufe
13	036-0031	1	Acoplador especial

## CONDENSADORES (TABLA A)

	La condensador de arranque	La tapa de arranque la condensador	La condensador de funcionar	La tapa de funcionar la condensador
<b>A.O. Smith motor capacitors</b>	166-0143 A.O. Smith p/n - 16622936	166-0145 A.O. Smith p/n - 174588-004	166-0144 A.O. Smith p/n - 628318-313	166-0146 A.O. Smith p/n - 17821153
<b>GE motor capacitors</b>	166-0148 GE p/n - 52A103967P1	166-0150 GE p/n - 111B291AAP3	166-0149 GE p/n - 976B399ASP3	166-0151 GE p/n - 111B276ACP8
<b>Better motor capacitors</b>	166-0180 Better p/n - 0901080 or 166-0195 Better p/n - 61B4D250400NNCA	166-0182 Better p/n - 0104045	166-0181 Better p/n - 0901040 or 166-0196 Better p/n - CBB60	166-0182 Better p/n - 0104045

# ESQUEMA DE LA PIEZAS



## NOTES:

1 Torsión hasta 2,3-3,4 N•m

A Torsión hasta 33,9-67,8 N•m

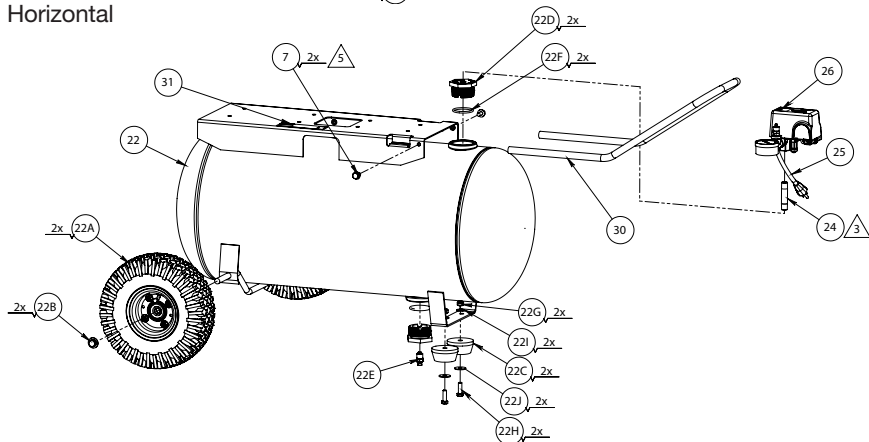
3 Torsión hasta 67,8-101,7 N•m

4 Torsión hasta 9,3-10,4 N•m

5 Torsión hasta 14,7-20,3 N•m

6 **Nota:** Apriete la tuerca de la compresión handtight más 1 vuelta completa.

## Horizontal



## LISTA DE LA PIEZAS

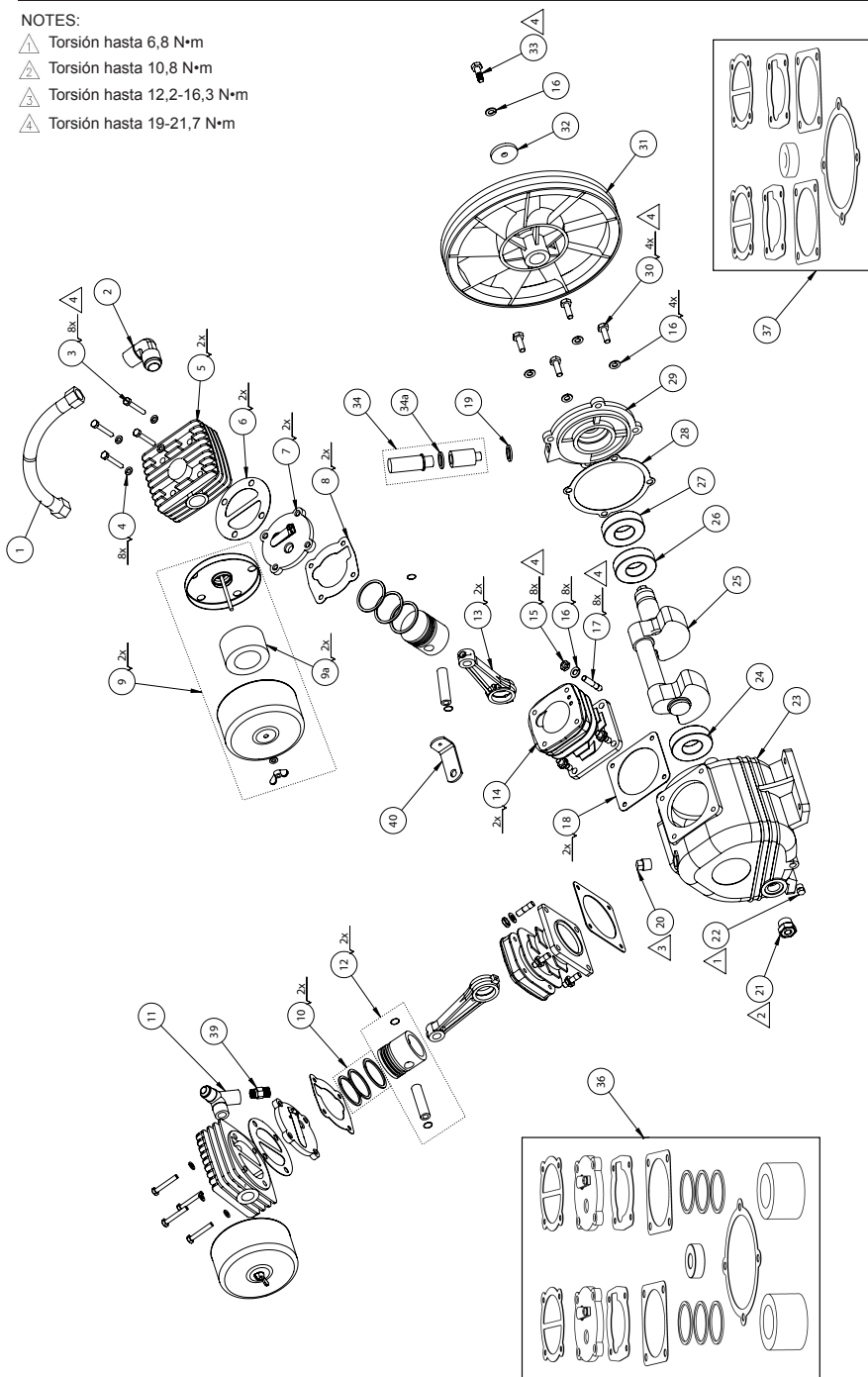
Article	Nº / P	Qté	Description
1	125-0208	1	Protector
2	059-0410	3	Perno
3	007-0010	1	Correa
4	146-0016	1	Chaveta
5	061-0238	2	Tornillo fijador
6	006-0018	1	Polea
7	059-0012	6	Perno
8	061-0114	4	Tornillo
9	125-0207	1	Protector
10	061-0212	1	Tornillo
11	060-0146	1	Arandela
12	068-0092	1	Conector
13	058-0007	2	Tuerca
14	145-0478	1	Tubo
or	145-0664	1	Tubo (Horizontal)
15	031-0037	1	Válvula
16	145-0324	1	Tubo
17	064-0056	1	Codo
18	058-0174	1	Tuerca
19	114-0619	1	Soporte
20	160-0264	1	Motor (vea la tabla A)
21	026-0233	1	Cordón
22	**	1	Conjunto de tanque
22A	095-0038	2	Rueda
22B	033-0001	2	Tapacubo
22C	094-0186	2	Almohadilla
22D	512-0035	2	Buje
22E	072-0006	1	Llave de desagüe
22F	513-0002	2	Anillo tórico
22G	058-0129	2	Tuerca
22H	059-0009	2	Perno
22I	060-0156	2	Arandela
22J	060-0202	2	Arandela
23	098-3870	1	Etiqueta de advertencia
24	065-0005	1	Niple
25	026-0030	1	Cordón
26	See page 76-77	1	Conjunto de múltiple
27	093-0031	2	Empuñadura
28	059-0010	4	Perno
29	See pages 80-81	1	Conjunto de bomba
30	112-0031	1	Empuñadura (Horizontal)
31	098-2856	1	Etiqueta de advertencia

\*\* *Los items no están disponibles como piezas de recambio.*

# ESQUEMA DE LA PIEZAS

NOTES:

- ▲ Torsión hasta 6,8 N•m
- ▲ Torsión hasta 10,8 N•m
- ▲ Torsión hasta 12,2-16,3 N•m
- ▲ Torsión hasta 19-21,7 N•m





## LISTA DE LA PIEZAS

### LPV5145 Conjunto de bomba

Artículo	Núm / P	Cant	Descripción
1	145-0486	1	Tubo
2	065-0107	1	Codo
3	061-0238	8	Tornillo
4	060-0224	8	Arandela
5	042-0121	2	Cabezal
6	046-0302	2	Empaquetadura, cabezal
7	043-0207	2	Conjunto de placa <i>(incluye los artículos 6 y 8)</i>
8	046-0303	2	Empaquetadura, cilindro
9	019-0239	2	Filtro <i>(incluye los artículo 9A)</i>
9A	019-0240	2	Elemento filtrante
10	054-0250	2	Juego de anillos
11	069-0028	1	Te
12	048-0121	2	Conjunto de pistón
13	047-0099	2	Varilla
14	050-0065	2	Cilindro
15	058-0188	8	Tuerca
16	060-0222	13	Arandela
17	059-0420	8	Perno del perno prisionero
18	046-0304	2	Empaquetadura, cárter
19	060-0195	1	Arandela
20	056-0078	1	Tapón
21	032-0072	1	Cristal de la vista del nivel de aceite
22	062-0066	1	Tapón
23	049-0053	1	Cárter
24	051-0103	1	Cojinete
25	053-0107	1	Cigüeñal
26	051-0104	1	Cojinete
27	046-0306	1	Sello
28	046-0305	1	Empaquetadura
29	045-0054	1	Portador
30	059-0415	4	Polea
31	044-0068	1	Volante, A
32	060-0225	1	Arandela
33	059-0416	1	Polea
34	056-0079	1	Respiradero
34a	060-0236	1	Arandela
35 <i>not shown</i>	146-0026	1	Chaveta
39	068-0092	1	Conector
40	114-0619	1	Soporte

### Available Service Kits

	Part No	Qty	Description
36	165-0277	1	Juego de acondicionamiento, <i>(incluye los artículos 6-8, 9A, 10, 18, 27 y 28)</i>
37	046-0307	1	Juntas, conjunto completo <i>(incluye los artículos 6, 8, 18, 27, y 28)</i>
38	040-0386	1	Ensamblaje de la bomba <i>(incluye los artículos 1-35)</i>

## GARANTÍA LIMITADA

Las herramientas de **Porter-Cable Industrial Tools** cuentan con garantía desde la fecha de compra.

Garantía limitada de **2 AÑOS** en todos los compresores con lubricación de aceite

Garantía limitada de **1 AÑO** en todos los compresores sin aceite.

Esta garantía no es transferible a los propietarios posteriores.

Porter-Cable reparará o cambiará, sin cargo, a discreción de Porter-Cable, cualquier defecto debido a material o mano de obra defectuosa. Para mayores detalles sobre la cobertura de garantía e información sobre reparaciones bajo garantía, llame al 1-(888)-895 4549 o visite [portercable.com](http://portercable.com). Esta garantía no es aplicable a accesorios o daños provocados por reparaciones realizadas o intentadas por terceros. Esta garantía tampoco aplica a mercancía vendida por PORTER-CABLE que ha sido fabricada por e identificada como el producto de otra compañía, como los motores a gasolina. En el caso, aplicará la garantía del fabricante, si existe. **CUALQUIER PÉRDIDA, DAÑO O GASTO QUE RESULTE INCIDENTAL O INDIRECTAMENTE, O COMO CONSECUENCIA DE ALGÚN DEFECTO, ALGUNA FALLA O AVERÍA DEL PRODUCTO NO ESTÁ CUBIERTO POR ESTA GARANTÍA.** Algunos estados no permiten la exclusión de un límite por daños incidentales o derivados, por lo que el límite o la exclusión anterior puede no aplicar a su caso. **LAS GARANTÍAS IMPLÍCITAS, INCLUYENDO AQUELLAS DE COMERCIABILIDAD O ACONDICIONAMIENTO PARA UN FIN DETERMINADO, ESTÁN LIMITADAS A UN AÑO A CONTAR DE LA FECHA DE COMPRA ORIGINAL.** Algunos estados no permiten límites sobre el plazo de duración de una garantía implícita, por lo que el límite anterior puede no aplicar a su caso. Esta garantía le otorga derechos específicos, además de los cuales puede tener otros dependiendo del estado o provincia en que se encuentre.

**Qué hará la compañía:** (la compañía) cubrirá piezas y mano de obra para corregir defectos importantes en los materiales y en la fabricación durante el primer año de propiedad, con las excepciones que se indican más adelante. Las piezas que se utilizan en la reparación de productos completos o accesorios están garantizadas por el resto del periodo de garantía original.

**¿Qué no cubre esta garantía?** Si el comprador al menudeo original no instala, mantiene y opera dicho equipo de acuerdo con las prácticas industriales estándar. Las modificaciones al producto o alteraciones a los componentes, o el incumplimiento con las recomendaciones específicas de la Compañía que se establecen en el manual del propietario, anularán esta garantía. La Compañía no será responsable de reparaciones, reemplazos o ajustes al equipo, ni de costos de mano de obra realizada por el comprador sin la aprobación previa por escrito de la Compañía. Los efectos de la corrosión, erosión, condiciones ambientales circundantes, defectos cosméticos y elementos de mantenimiento de rutina, se excluyen específicamente de esta garantía. Los elementos de mantenimiento de rutina, como aceite, lubricantes y filtros de aire, así como los cambios de aceite, filtros de aire, tensión de bandas, etc., son responsabilidad del propietario. Otras

exclusiones incluyen: daños durante el flete, fallas originadas por negligencia, accidente o abuso, motores de inducción cuando es operado desde un generador, filtraciones de aceite, fugas de aire, consumo de aceite, acoples con fugas, mangueras, grifos, tubos de purga y tubos de transferencia.

- Los siguientes componentes se consideran artículos de desgaste por el uso normal y no están cubiertos después del primer año de posesión: Correas, roldanas, volantes, válvulas de retención, interruptores de presión, descargadores neumáticos, controles de aceleración, motores eléctricos, escobillas, reguladores, anillos en O, manómetros, tubos, tuberías, acoplamientos, sujetadores, ruedas, acopladores rápidos, empaquetaduras, sellos, carcasas de filtro de aire, anillos de pistón, varillas de conexión y sellos de pistón.
- Los costos de mano de obra, llamadas de servicio y viajes, no están cubiertos después del primer año de propiedad de los compresores estacionarios (compresores sin asas o ruedas). No están cubiertas las reparaciones que requieren horas extraordinarias, tarifas de fin de semana o cualquier otro costo que supere las tarifas por mano de obra estándar del taller.
- Tiempo requerido para la capacitación de orientación con el fin de que el centro de servicio obtenga acceso al producto, o tiempo adicional debido a un egreso inadecuado.
- El daño causado por voltaje incorrecto, cableado inapropiado o el hecho de no hacer que un electricista certificado con licencia instale el compresor, causará la anulación e invalidación de esta garantía.
- Daño causado por un mantenimiento inadecuado del filtro.
- Desgaste de la bomba o daño en la válvula causado por el uso de aceite no especificado.
- Desgaste de la bomba o daño causado por cualquier contaminación del aceite.
- Desgaste de la bomba o daño en la válvula causado por el hecho de no seguir las directrices de mantenimiento apropiadas.
- Utilización con un nivel de aceite por debajo del apropiado o utilización sin aceite.
- Para motores a gas, si el producto está equipado con un motor a gas, consulte en el manual la cobertura de garantía del fabricante para el motor específico.

**Piezas que se compran por separado:** las garantías de las piezas que se compran por separado, como bombas, motores, etc., son las siguientes:

A partir de la fecha de compra


- |  |         |
|--|---------|
| • Todas las bombas de una y dos etapas | 1 año   |
| • Motores eléctricos                   | 90 días |
| • Bomba/motor universal                | 30 días |
| • Todas las otras piezas               | 30 días |


- No se expedirá una autorización de devolución para los componentes eléctricos una vez que están instalados.

**¿Cómo puede obtener servicio?** Con el fin de ser elegible para obtener servicio bajo esta garantía, debe ser el comprador al menudeo original y proporcionar un comprobante de compra de uno de los concesionarios, distribuidores o tiendas minoristas de Sanborn. Los compresores portátiles o los componentes se deben enviar o entregar en el Centro de Servicio autorizado de Sanborn más cercano. El cliente deberá pagar todos los costos relacionados con el flete y viaje. Para obtener asistencia, llame a nuestro número gratuito, 1-888-895-4549. **ESTA GARANTÍA LE OTORGA DERECHOS LEGALES ESPECÍFICOS, Y ES POSIBLE QUE TAMBIÉN TENGA OTROS DERECHOS QUE VARÍAN DE UN ESTADO A OTRO.**

LA COMPAÑÍA NO HACE REPRESENTACIÓN O GARANTÍA ALGUNA, YA SEA EXPRESA O IMPLÍCITA, A EXCEPCIÓN DE LA DEL TÍTULO DE PROPIEDAD. POR LA PRESENTE, LA COMPAÑÍA NO ASUME NINGUNA GARANTÍA IMPLÍCITA, INCLUIDAS LAS GARANTÍAS DE COMERCIABILIDAD Y DE IDONEIDAD PARA UN PROPÓSITO ESPECÍFICO. SE EXCLUYE TODA RESPONSABILIDAD POR DAÑOS Y PERJUICIOS EMERGENTES O INCIDENTALES EN VIRTUD DE CUALQUIER OTRA GARANTÍA, OTROS CONTRATOS, NEGLIGENCIA U OTROS ACTOS DE AGRAVIO EN LA MEDIDA EN QUE LA LEY LO PERMITA.

**REEMPLAZO GRATUITO DE LAS ETIQUETAS DE ADVERTENCIA:** Si sus etiquetas de advertencia se tornan ilegibles o faltan, llame al 1-(888)-895-4549 para que se le reemplacen gratuitamente.

<p><b>▲ WARNING</b> <b>AVERTISSEMENT</b> <b>ADVERTENCIA</b></p>	<p><b>HOT SURFACES:</b> To reduce the risk of burns - Do not touch exposed metal surfaces.</p> <p><b>SURFACES CHAUDES:</b> Pour réduire le risque de brûlures - Ne pas toucher aux surfaces métalliques exposées.</p> <p><b>SUPERFICIES CALIENTES:</b> Para reducir el riesgo de sufrir quemaduras - No tocar las superficies metálicas expuestas.</p>	 <p>098-2850</p>
---	--	--

▲ WARNING	▲ AVERTISSEMENT	▲ ADVERTENCIA
<p><b>Before starting, read and understand the operator manual for safe operation and maintenance.</b></p> <p><b>Risk of fire or explosion—Do not spray a flammable liquid in a confined area or towards a hot surface. • Spray area must be well ventilated. • Do not smoke while spraying or spray where spark or flame is present. • Acting parts—Keep compressor at least 20 feet away from explosive vapors, such as when spraying with a spray gun.</b></p> <p><b>Risk of electric shock—Do not expose to rain. Store indoors. • Use a dedicated circuit. If connected to a circuit protected by a fuse, use time delay (marked D) fuses with this product.</b></p> <p><b>Risk of bursting—Do not adjust regulator to result in output pressure greater than the marked maximum pressure of attachment. If a regulator has not been installed use only attachments rated at 200 psi or higher. • Rust weakens tanks, may cause explosion and severe or fatal injury/property damage. Drain condensed water from tank after each use to reduce rusting. • Never weld on or repair tank—replace by authorized dealer.</b></p> <p><b>Risk of injury—Do not direct air stream at body. • Disconnect power and drain all air pressure from tank before servicing and after each use. • Do not use compressed air for breathing. • Wear ANSI Z87 approved eye protection. • Do not operate with supplied guards removed.</b></p> <p><b>RISK OF BURSTING</b> Prevent tank corrosion after each usage, drain all moisture from tank. <b>MOISTURE DRAIN</b></p>	<p><b>Avant de commencer, lisez et comprenez le manuel de l'opérateur pour une utilisation et un entretien sûrs.</b></p> <p><b>Risque d'incendie ou d'explosion—Ne pas pulvériser de liquide inflammable dans un endroit confiné ou vers une surface chaude. • La zone de pulvérisation doit être correctement ventilée. • Ne pas fumer pendant la pulvérisation et ne jamais pulvériser en présence d'étincelles ou de flammes. • Pièces de l'actuel - Garder à l'écart du compresseur à au moins 6 mètres (20 pi) des vapeurs explosives comme lors de l'application de peinture au pistolet.</b></p> <p><b>Risque de choc électrique—Ne pas exposer à la pluie. Garder à l'intérieur. • Utiliser un circuit dédié. Si l'équipement est connecté à un circuit protégé par fusibles, employer de fusibles de marquage D.</b></p> <p><b>Risque d'éclatement—Ne pas régler le régulateur à une pression de sortie supérieure à la pression maximale des accessoires. Si aucun régulateur n'est installé, utiliser que des accessoires d'une capacité nominale de 200 psi ou plus. • Les réservoirs rouillés ont un risque d'explosion et peuvent causer de graves blessures et provoquer d'importants dommages. Vidanger l'eau de condensation du réservoir après chaque utilisation afin de réduire la corrosion. Ne jamais souder ni réparer le réservoir - faire remplacer celui-ci par un centre de service agréé.</b></p> <p><b>Risque de blessure—Ne jamais diriger le jet d'air vers le corps. • Couper l'alimentation électrique et chasser toute pression d'air du réservoir avant l'entretien et après chaque usage. • Ne pas respirer l'air comprimé. • Porter des verres protecteurs homologués ANSI Z87. • Ne pas faire fonctionner si les capots protecteurs sont retirés.</b></p> <p><b>RISQUE D'ÉCLATEMENT</b> Prévenir la corrosion du réservoir après chaque usage. <b>ÉVACUATION D'EAU</b></p>	<p><b>Antes de comenzar, lee y entienda el manual del operador para operar y dar mantenimiento a la unidad de manera segura.</b></p> <p><b>Riesgo de incendio o explosión—No rocíe líquidos inflamables en áreas confinadas ni hacia superficies calientes. • El área donde se va a rociar debe estar bien ventilada. • No fume mientras rocía, ni rocíe en presencia de chispas o llamas. • Partes que pueden producir arco: Mantenga el compresor al menos a 6 metros (20 pies) de distancia de vapores explosivos, como los que se forman cuando se usa una pistola de pintura.</b></p> <p><b>Riesgo de descarga eléctrica—No exponga a la lluvia. Almacene en el interior. • Utilice un circuito dedicado. Si se conecta a un circuito protegido con un fusible, utilice fusibles con retardo (marcado D) con este producto.</b></p> <p><b>Riesgo de explosión—No ajuste el regulador de manera que la presión de salida sea mayor que la máxima marcada del accesorio. Si no se ha instalado un regulador, use solamente accesorios con presión nominal de 200 psi o más. • La corrosión debilita los tanques, puede causar una explosión y daños materiales graves o lesiones graves o fatales. Drene el agua condensada del tanque después de cada uso para reducir la corrosión. • Nunca soldes ni repare un tanque, reemplácelo en un centro de servicio autorizado.</b></p> <p><b>Riesgo de lesiones—No dirija la corriente de aire hacia el cuerpo. • Desconecte la corriente y libere toda la presión del aire del tanque antes de dar servicio y después de cada uso. • No use aire comprimido para respirar. • Use protección ocular aprobada según ANSI Z87. • No opere los dispositivos de protección proporcionados.</b></p> <p><b>RIESGO DE EXPLOSION</b> Prevenir la corrosión del tanque. Después de cada uso, drenar toda humedad del tanque. <b>DESAGUE DE AGUA</b></p>
<p>OPEN</p> 	<p>OUVERT</p> 	<p>ABIERTO</p> 

## REPUESTOS Y SERVICIO

Las piezas de repuesto y el servicio están disponibles del Centro de Servicio autorizado más cercano. Consulte con el Servicio al Cliente (Product Service) listado debajo, si surge la necesidad.

Refiérase al número de modelo y el número de serie situado en la etiqueta de serie del compresor, cuando consulte con un Centro de Servicio o el Servicio al Cliente. Se requiere la prueba de compra para todas las transacciones y puede requerirse una copia de su recibo de venta.

En los espacios provisto arriba registre la fecha de compra. Guarde su recibo de venta y este manual para referencia futura.

Cuando necesite servicio por favor de consultar el centro de servicio autorizado más cercano o notificar por correo a:

### PRODUCT SERVICE

Sanborn Mfg., Division of MAT Industries, LLC.  
118 West Rock Street  
Springfield, MN 56087

Model No.	Serial No.	Date Purchased

Hecho en EE.UU.con componentes domésticos y extranjeros

© 2013 **Sanborn Mfg.**  
Division of MAT Industries, LLC.  
Springfield, MN 56087

**1-888-895-4549**

Reservados todos los derechos.





The following are PORTER-CABLE trademarks for one or more power tools and accessories: a gray and black color scheme; a ♦ “four point star” design; and three contrasting/outlined longitudinal stripes. The following are also trademarks for one or more PORTER-CABLE and Delta products: Les éléments ci-dessous sont des marques de commerce des outils et des accessoires de PORTER-CABLE : un agencement de couleurs grise et noire; un motif d’ « étoile à quatre pointes » ♦ et trois bandes longitudinales contrastantes/à contours. Les marques suivantes sont également des marques de commerce se rapportant à un ou plusieurs produits PORTER-CABLE ou Delta : Las siguientes son marcas comerciales PORTER-CABLE que distinguen a una o más herramientas y accesorios: un gráfico de color gris y negro; un diseño de ♦ “estrella de cuatro puntas” y tres franjas longitudinales contrastantes/delineadas. Las siguientes también son marcas comerciales para uno o más productos de PORTER-CABLE y Delta: 2 BY 4®, 890™, Air America®, AIRBOSS™, Auto-Set®, B.O.S.S.®, Bammer®, Biesemeyer®, Builders Saw®, Charge Air®, Charge Air Pro®, CONTRACTOR SUPERDUTY®, Contractor’s Saw®, Delta®, DELTA®, Delta Industrial®, DELTA MACHINERY & DESIGN™, Delta Shopmaster and Design®, Delta X5®, Deltacraft®, DELTAGRAM®, Do It. Feel It.®, DUAL LASERLOC AND DESIGN®, EASY AIR®, EASY AIR TO GO™, ENDURADIAMOND®, Ex-Cell®, Front Bevel Lock®, Get Yours While the Sun Shines®, Grip to Fit®, GRIPVAC™, GTF®, HICKORY WOODWORKING®, Homecraft®, HP FRAMER HIGH PRESSURE®, IMPACT SERIES™, Innovation That Works®, Jet-Lock®, Job Boss®, Kickstand®, LASERLOC®, LONG-LASTING WORK LIFE®, MAX FORCE™, MAX LIFE®, Micro-Set®, Midi-Lathe®, Monsoon®, MONSTER-CARBIDE™, Network®, OLDHAM®, Omnijig®, PC EDGE®, Performance Crew™, Performance Gear®, Pocket Cutter®, Porta-Band®, Porta-Plane®, Porter Cable®, PORTER-CABLE Professional Power Tools®, Powerback®, POZI-STOP™, Pressure Wave®, PRO 4000®, Proair®, Quicksand and Design®, Quickset II®, QUIET DRIVE TECHNOLOGY™, QUIET DRIVE TECHNOLOGY AND DESIGN™, Quik-Change®, QUIK-TILT®, RAPID-RELEASE™, RAZOR®, Redefining Performance®, Riptide®, Safe Guard II®, Sand Trap and Design®, Sanding Center®, Saw Boss®, Shop Boss®, Sidekick®, Site Boss®, Speed-Bloc®, Speedmatic®, Stair Ease®, Steel Driver Series®, SUPERDUTY®, T4 & DESIGN®, THE AMERICAN WOODSHOP®, THE PROFESSIONAL EDGE®, Thin-Line®, Tiger Saw®, TIGERCLAW®, TIGERCLAW AND DESIGN®, Torq-Buster®, TRU-MATCH®, T-Square®, Twinlaser®, Unifence®, Uniguard®, UNIRIP®, UNISAW®, UNITED STATES SAW®, Veri-Set®, Versa-Feeder®, VIPER®, VT™, VT RAZOR™, Water Driver®, WATER VROOM®, Waveform®, Whisper Series®, X5®, YOUR ACHIEVEMENT. OUR TOOLS.®

Trademarks noted with ® are registered in the United States Patent and Trademark Office and may also be registered in other countries. Other trademarks may apply. Les marques de commerce suivies du symbole ® sont enregistrées auprès du United States Patent and Trademark Office et peuvent être enregistrées dans d’autres pays. D’autres marques de commerce peuvent également être applicables. Las marcas comerciales con el símbolo ® están registradas en la Oficina de patentes y marcas comerciales de Estados Unidos (United States Patent and Trademark Office), y también pueden estar registradas en otros países. Posiblemente se apliquen otras marcas comerciales registradas.

**PORTER♦CABLE®**

(888) 895-4549