

## Belt Drive, Electric Air Compressors

Actionnement pour courroie, Compresseur d'air électrique

Accionamiento por correa, Compresor de aire eléctrico

TOPST™ - Thermal Overload Protection System

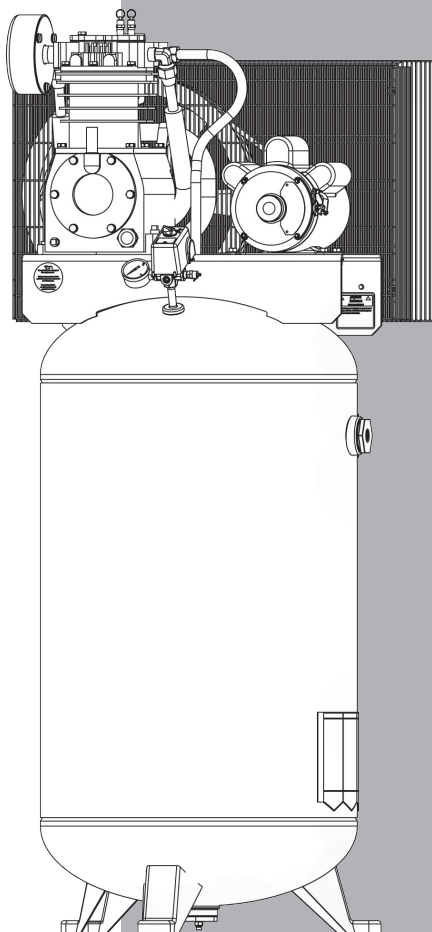
*NOTE: These units DO NOT require a magnetic starter.*

TOPST™ - Dispositif de protection contre la surcharge thermique

*REMARQUE : Ces compresseurs ne nécessitent pas l'installation d'un démarreur magnétique.*

TOPST™ - Sistema de protección contra sobrecargas térmicas

*NOTA: Estas unidades no requieren la instalación de un arrancador magnético por correa.*



**Instruction manual**  
**Manuel d'instructions**  
**Manual de instrucciones**

---

**Français : Page 30**  
**Español: Página 60**

**PXCMV5248069**

200-2882\_Rev. A\_7-12

## TABLE OF CONTENTS

SAFETY GUIDELINES .....	3-6	Shutdown .....	14
SPECIFICATION CHART .....	6	MAINTENANCE .....	15-18
OVERVIEW .....	6-7	Draining the Tank .....	15
Basic Air Compressor Components .....	6-7	Checking the Oil .....	15
ASSEMBLY .....	7	Changing the Oil .....	15
Assembling the Compressor .....	7	Belt Tension .....	16
TYPICAL INSTALLATION .....	8-9	Pulley Alignment .....	17
COMPRESSOR CONTROLS .....	10	Cleaning the Air Filter .....	18
ELECTRICAL POWER REQUIREMENTS .....	11	Checking the Relief Valve .....	18
Electrical Wiring .....	11	Testing for Leaks .....	18
Main Power Panel .....	11	Storage .....	18
Main Power Disconnect Switch .....	11	SERVICE INTERVAL .....	18
Low Voltage Problems .....	11	TROUBLESHOOTING CHART .....	19-20
Grounding Instructions .....	11	PARTS DRAWINGS AND PARTS LISTS .....	21-25
MOTOR RESET SWITCH .....	12	WARRANTY .....	26-28
OPERATING INSTRUCTIONS .....	12-14	GLOSSARY OF TERMS .....	29
Break-in of the Pump .....	12	PARTS AND SERVICE .....	30
Daily Startup .....	14		

## TABLE DES MATIÈRES

CONSIGNES DE SÉCURITÉ .....	3, 31-33	Mise en marche quotidienne .....	42
TABEAU DES SPÉCIFICATIONS .....	33	Arrêt .....	42
VUE D'ENSEMBLE .....	34	ENTRETIEN .....	43-46
Éléments de base du compresseur d'air .....	34	Vidange du réservoir .....	43
ASSEMBLAGE .....	35	Vérification du niveau d'huile .....	43
Assemblage du compresseur .....	35	Vidange d'huile .....	43
INSTALLATION TYPIQUE .....	36-37	Tension de la courroie .....	44
COMMANDES DU COMPRESSEUR .....	38	Alignement de la poulie .....	45
SPÉCIFICATIONS DE L'ALIMENTATION		Nettoyage du filtre à air .....	46
ÉLECTRIQUES .....	38-39	Vérification de soupape de décharge .....	46
Câblage électrique .....	38	Essai d'étanchéité .....	46
Panneau de tension principale .....	39	Entreposage .....	46
Sectionneur de tension principale .....	39	ENTRETIEN PÉRIODIQUE .....	46
Problèmes de tension trop basse .....	39	DÉPANNAGE .....	47-48
Instructions pour la mise à la terre .....	39	DESSIN DES PIÈCES ET LISTE DE PIÈCES .....	49-53
REMISE EN MARCHÉ ET CÂBLAGE DU		GARANTIE .....	54-57
MOTEUR .....	40	GLOSSAIRE DES TERMES .....	58
MODE D'EMPLOI .....	40-44	PIÈCES ET RÉPARATIONS .....	59
Rodage de la pompe .....	40		

## INDICE

PAUTAS DE SEGURIDAD .....	3, 60-62	Arranque diario .....	70
TABEAU DES SPÉCIFICATIONS .....	62	Parada .....	70
RESUMEN GENERAL .....	63	MANTENIMIENTO .....	72-75
Componentes básicos del compresor		Desagüe del tanque .....	72
de aire .....	63	Verificación del nivel de aceite .....	72
MONTAJE .....	64	Cambio de aceite .....	72
Montaje del compresor .....	64	Tensión de la correa .....	73
INSTALACION TÍPICA .....	65-66	Alineación de la polea .....	74
CONTROLES DEL COMPRESOR .....	67	Limpieza del filtro de aire .....	75
REQUERIMIENTOS DE ALIMENTACIÓN		Revisión de la válvula de alivio .....	75
ELÉCTRICA .....	68	Detección de fugas .....	75
Cableado eléctrico .....	68	Almacenamiento .....	75
Panel principal de alimentación .....	68	INTERVALOS DE SERVICIO .....	75
Interruptor principal de alimentación .....	68	CUADRO DE DETECCIÓN DE FALLOS .....	76-77
Problemas causados por bajo voltaje .....	68	ESQUEMA DE LA PIEZAS Y LISTA DE LAS	
Instrucciones de puesta a tierra .....	68	PIEZAS .....	78-82
RESTABLECIMIENTO Y CABLEADO DEL		GARANTÍA .....	83-85
MOTOR .....	69	GLOSARIO DE TERMINOS .....	86
INSTRUCCIONES OPERATIVAS .....	69-70	REPUESTOS Y SERVICIO .....	87
Puesta en marcha inicial de la bomba .....	69-70		

## SAFETY GUIDELINES

The following information relates to protecting YOUR SAFETY and PREVENTING EQUIPMENT PROBLEMS. To help you recognize this information, we use the following symbols. Please read the manual and pay attention to these sections.

### DANGER

Indicates an imminently hazardous situation which, if not avoided, **will** result in **death or serious injury**.

### WARNING

Indicates a potentially hazardous situation which, if not avoided, **could** result in **death or serious injury**.

### CAUTION

Indicates a potentially hazardous situation which, if not avoided, **may** result in **minor or moderate injury**.

## CONSIGNES DE SÉCURITÉ

Les informations suivantes concernent VOTRE SÉCURITÉ et LA PROTECTION DU MATÉRIEL CONTRE LES PANNES. Pour vous aider à identifier la nature de ces informations, nous utilisons les symboles suivants. Veuillez lire le manuel et prêter attention à ces sections.

### DANGER

**DANGER POTENTIEL POUVANT ENTRAÎNER DE GRAVES BLESSURES OU LA MORT.**

### AVERTISSEMENT

**DANGER POUVANT CAUSER DES BLESSURES GRAVES VOIRE MORTELLES.**

### ATTENTION

**DANGER POUVANT CAUSER DES BLESSURES MOYENNEMENT GRAVES OU L'ENDOMMAGEMENT DE L'APPAREIL.**

## PAUTAS DE SEGURIDAD

La información que sigue se refiere a la protección de SU SEGURIDAD y la PREVENCIÓN DE PROBLEMAS DEL EQUIPO. Como ayuda para reconocer esta información, usamos los siguientes símbolos. Lea por favor el manual y preste atención a estas secciones.

### PELIGRO

**UN POSIBLE RIESGO QUE CAUSARÁ LESIONES GRAVES O LA PÉRDIDA DE LA VIDA.**

### ADVERTENCIA

**UN RIESGO POTENCIAL QUE PODRÍA PROVOCAR GRAVES LESIONES O MUERTE.**

### PRECAUCION

**UN RIESGO POTENCIAL QUE PODRIA PROVOCAR LESIONES LEVES O DA—AR EL EQUIPO.**

## **WARNING**

Read and understand all safety precautions in this manual before operating. Failure to comply with instructions in this manual could result in personal injury, property damage, and/or voiding of your warranty. The manufacturer WILL NOT be liable for any damage because of failure to follow these instructions.



### **1. RISK OF FIRE OR EXPLOSION.** Never spray flammable liquids in a confined

area. It is normal for the motor and pressure switch to produce sparks while operating. If sparks come into contact with vapors from gasoline or other solvents, they may ignite, causing fire or explosion. Always operate the compressor in a well-ventilated area. Do not smoke while spraying. Do not spray where sparks or flame are present. Keep compressor as far from spray area as possible.



### **2. RISK OF BURSTING.** Do not weld, drill or modify the air tank of this compressor. Welding or modifications on the air compressor tank can severely

impair tank strength and cause an extremely hazardous condition. Welding or modifying the tank in any manner will void the warranty.



### **3. RISK OF ELECTRICAL SHOCK.** Never use an electric air compressor outdoors when it is raining or on a wet surface, as it may cause an electric

shock.



### **4. RISK OF INJURY.** This unit starts automatically. ALWAYS shut off the main power disconnect, and bleed all pressure from the system before

servicing the compressor, and when the compressor is not in use. Do not use the unit with the shrouds or belt guard removed. Serious injury could occur from contact with moving parts.



### **5. RISK OF BURSTING.** Check the manufacturer's maximum pressure rating for air tools and accessories. Compressor outlet pressure must be regulated so

as to never exceed the maximum pressure rating of the tool. Relieve all pressure through the hose before attaching or removing accessories.



### **6. RISK OF BURNS.** High temperatures are generated by the pump and manifold. To

prevent burns or other injuries, DO NOT touch the pump, manifold or transfer tube while the pump is running. Allow them to cool before handling or servicing. Keep children away from the compressor at all times.



### **7. RISK TO BREATHING.** Be certain to read all labels when you are spraying paints or toxic materials, and follow the safety instructions. Use a respirator mask if there is a chance of inhaling anything you are spraying. Read all instructions and be sure that your respirator mask will protect you. Never directly inhale the compressed air produced by a compressor. It is not suitable for breathing purposes.



### **8. RISK OF EYE INJURY.** Always wear ANSI Z87.1 approved safety goggles when using an air compressor. Never point any nozzle or sprayer toward a person or any part of the body. Equipment can cause serious injury if the spray penetrates the skin.



### **9. RISK OF BURSTING.** Do not adjust the relief valve for any reason. Doing so voids all warranties. The relief valve has been pre-set at the factory for the maximum pressure of this unit. Personal injury and /or property damage may result if the relief valve is tampered with.



### **10. RISK OF BURSTING.** Do not use plastic or pvc pipe for compressed air. Use only galvanized steel pipe and fittings for compressed air distribution

lines.



### **11. RISK OF BURSTING.** Failure to properly drain condensed water from air tank, causing rust and thinning of the steel air tank. Drain air tank daily or after each use. If air tank develops a leak, replace it immediately with a new air tank or replace the entire compressor.



### **12. RISK TO HEARING.** Always wear hearing protection when using an air compressor. Failure to do so may result in hearing loss.



13. The interconnect cord on this product contains lead, a chemical known to the State of California to

cause cancer, and birth defects or other reproductive harm. **Wash hands after handling.**

**NOTE: ELECTRICAL WIRING.** Refer to the air compressor's serial label for the unit's voltage and amperage requirements. Ensure that all wiring is done by a licensed electrician, in accordance with the National Electrical code.

## **DANGER**



### **RISK OF BURSTING.**

Air Tank: On February 26, 2002, the U.S. Consumer Product Safety Commission published Release # 02-108 concerning air compressor tank safety:

Air compressor receiver tanks do not have an infinite life. Tank life is dependent upon several factors, some of which include operating conditions, ambient conditions, proper installations, field modifications, and the level of maintenance. The exact effect of these factors on air receiver life is difficult to predict.

If proper maintenance procedures are not followed, internal corrosion to the inner wall of the air receiver tank can cause the air tank to unexpectedly rupture allowing pressurized air to suddenly and forcefully escape, posing risk of injury to consumers.

Your compressor air tank must be removed from service by the end of the year shown on your tank warning label.

The following conditions could lead to a weakening of the air tank, and result in a violent air tank explosion:

#### **WHAT CAN HAPPEN**

- Failure to properly drain condensed water from air tank, causing rust and thinning of the steel air tank.
- Modifications or attempted repairs to the air tank.
- Unauthorized modifications to the safety valve, or any other components which control air tank pressure.

#### **HOW TO PREVENT IT**

- Drain air tank daily or after each use. If air tank develops a leak, replace it immediately with a new air tank or replace the entire compressor.
- Never drill into, weld or make any modifications to the air tank or its attachments. Never attempt to repair a damaged or leaking air tank. Replace with a new air tank.
- The air tank is designed to withstand specific operating pressures. Never make adjustments or parts substitutions to alter the factory set operating pressures.

## **WARNING**

1. Drain the moisture from the tank on a daily basis. A clean, dry tank will help prevent corrosion.
2. Pull the pressure relief valve ring daily to ensure that the valve is functioning properly, and to clear the valve of any possible obstructions.
3. To provide proper ventilation for cooling, the compressor must be kept a minimum of 12 inches (31 cm) from the nearest wall, in a well-ventilated area.
4. To prevent damage to tank and compressor on stationary models, the tank must be shimmed so the pump base is level within 1/8" to distribute oil properly. All feet must be supported, shimming where necessary, prior to attaching to the floor. Fasten all feet to floor. We also recommend the use of

vibration pads (094-0137) under tank feet.

5. Fasten the compressor down securely if transporting is necessary. Pressure must be released from the tank before transporting.

6. Protect the air hose from damage and puncture. Inspect them weekly for weak or worn spots, and replace if necessary.

7. To reduce the risk of electric shock, do not expose to rain. Store indoors.

## **⚠ WARNING**

**CALIFORNIA PROPOSITION 65 WARNING:** This product contains chemicals known to the State of California to cause cancer, birth defects and/or reproductive harm.

## **SPECIFICATION CHART**

<b>MODEL NO.</b>	<b>RUNNING H.P.</b>	<b>TANK CAPACITY GALLONS</b>	<b>VOLTAGE/ AMPS/ PHASE</b>	<b>KICK-IN PRESSURE</b>	<b>KICK-OUT PRESSURE</b>
PXCMV5248069	5.2	80 (302,8)	240/22/1	145 (9,99 bar)	175 (12,1 bar)

## **BASIC AIR COMPRESSOR COMPONENTS**

The basic components of the air compressor are the electric motor, Thermal Overload Protection System (TOPS), pump, and receiver (tank).

The **electric motor** (see **A**) powers the pump.

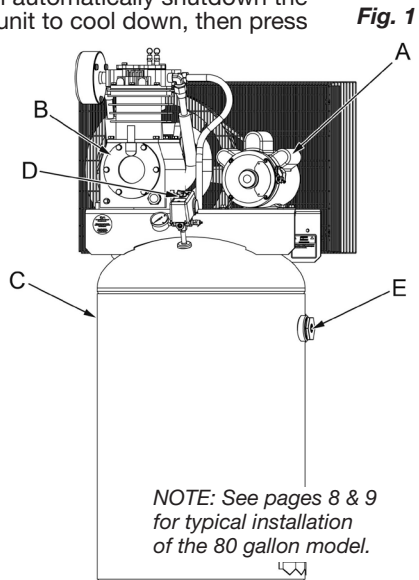
TOPS senses both temperature and current, providing more complete motor overload protection than a magnetic starter, which senses only current. If TOPS senses an overload condition, it will automatically shutdown the compressor. Allow 10-15 minutes for the unit to cool down, then press the reset button on the motor to restart the compressor.

The **pump** (see **B**) compresses the air and discharges it into the tank.

The **tank** (see **C**) stores the compressed air.

The **pressure switch** (see **D**) shuts down the motor and relieves air pressure in the pump and transfer tube when the air pressure in the tank reaches the kick-out pressure. As compressed air is used and the pressure level in the tank drops to the kick-in pressure, the pressure switch restarts the motor automatically, without warning and the pump resumes compressing air.

The **air line outlet** (see **E**). Connect 1/4" NPT air hose to this outlet.



## ASSEMBLING THE COMPRESSOR

1. Unpack the air compressor. Inspect the unit for damage. If the unit has been damaged in transit, contact the carrier and complete a damage claim. Do this immediately because there are time limitations to damage claims.

The carton should contain:

- air compressor
- operator and parts manuals

2. Check the compressor's serial label to ensure that you have received the model ordered, and that it has the required pressure rating for its intended use.
3. Locate the compressor according to the following guidelines:



### **⚠ WARNING**

**Never locate the compressor in an area where there are fumes from flammable fluids such as paint, solvents, or gasoline. It is normal for the motor and pressure switch to produce sparks while operating. If sparks come into contact with flammable fumes, they may ignite, causing a fire or explosion. Always operate the compressor in a well ventilated area.**

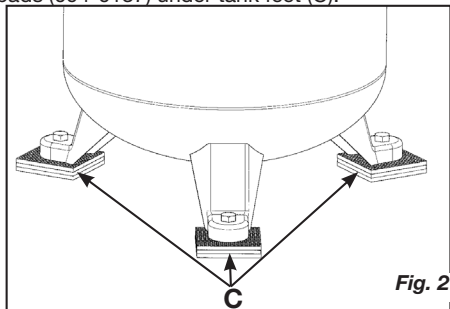
- a. For optimum performance, locate the compressor close to the power panel, as specified in ELECTRICAL POWER REQUIREMENTS, and as close as possible to the place where the air will be used. This ensures maximum power to the compressor and maximum air pressure to the tool. *If both of these conditions cannot be met, it is better to locate the compressor close to the power panel, and use a longer air hose to reach the usage area.*
- b. The flywheel side of the compressor must be at least 12 inches (31 cm) from any wall or obstruction, in a clean, well-ventilated area, to ensure sufficient air flow and cooling.
- c. In cold climates, locate the compressors in a heated building when not in use. This will reduce problems with lubrication, motor starting and freezing of water condensation.
- d. Remove the compressor from the shipping pallet and place it on the floor or a hard, level surface. The compressor must be level to ensure proper lubrication of the pump and good drainage of the moisture in the tank.

### **⚠ WARNING**

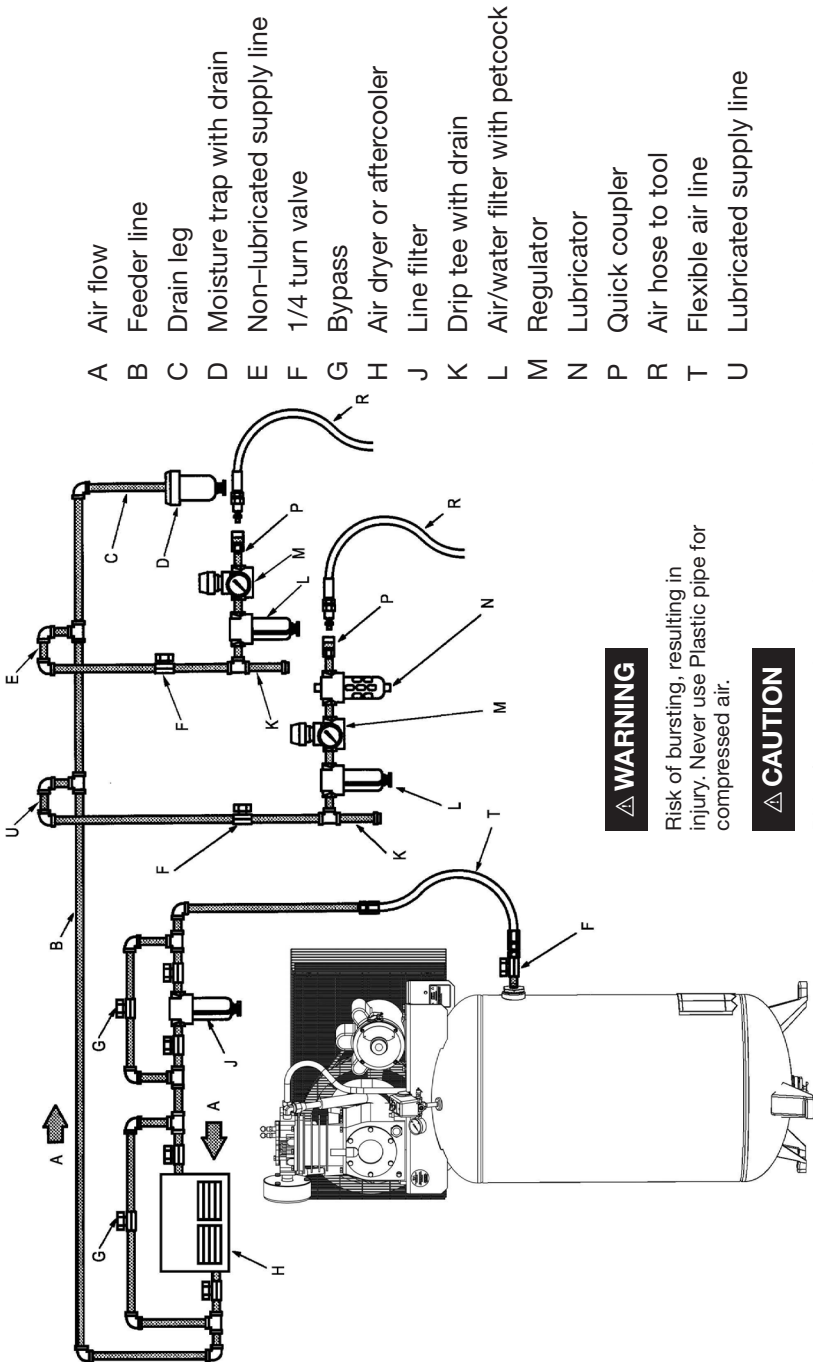
**Risk of injury: The shipping pallet is not designed as a base for an operating compressor. Operating the compressor while it is on the pallet will void your warranty.**

- e. To prevent damage to tank and pump, the tank must be shimmed so the pump is level within 1/8" per lineal foot maximum to distribute oil properly. Fasten to floor and NEVER force tank feet to floor without shims when tightening. We also recommend the use of vibration pads (094-0137) under tank feet (C).

4. Connect an air hose (not included) to the compressor.



# TYPICAL INSTALLATION



- A Air flow
- B Feeder line
- C Drain leg
- D Moisture trap with drain
- E Non-lubricated supply line
- F 1/4 turn valve
- G Bypass
- H Air dryer or aftercooler
- J Line filter
- K Drip tee with drain
- L Air/water filter with petcock
- M Regulator
- N Lubricator
- P Quick coupler
- R Air hose to tool
- T Flexible air line
- U Lubricated supply line

**⚠ WARNING**

Risk of bursting, resulting in injury. Never use Plastic pipe for compressed air.

**⚠ CAUTION**

Risk of property damage. Never use lubricator for paint spraying or similar applications.



## TYPICAL INSTALLATION

### AIR DRYERS AND AFTER COOLERS

An air dryer or aftercooler is installed directly in the air line.

### MOISTURE REMOVAL AND AIR FILTRATION

As the air cools, moisture will condense in the lines. This moisture must be removed before it reaches the tool being used. To remove this moisture, run the main air line downhill to a moisture trap and drain. Air/water filters should also be installed in the positions shown.

### AIR PRESSURE REGULATION

Install an air regulator in the drop line for each tool, to regulate air pressure to that tool. *Never exceed the maximum pressure rating of the tool.*

### AIR LUBRICATION

Install an air lubricator only for those tools requiring lubrication. *Do not use a lubricator for paint spraying or similar applications.* The oil will contaminate the paint and ruin the job.

### SHUT-OFF VALVES

Install shut-off valves in each drop line, to isolate the tool and its accessories for servicing. You can also install a bypass line around an accessory.

## COMPRESSOR CONTROLS

Refer to Fig. 3.



### **⚠ WARNING**

For your safety, tank pressure is preset within the switch and must never be tampered with.

#### **Pressure Switch (see A)**

This switch must not be adjusted by the operator; doing so will void the warranty. The pressure switch controls the level of air pressure in the tank by automatically starting and stopping the motor, as required to maintain the factory preset pressure level.

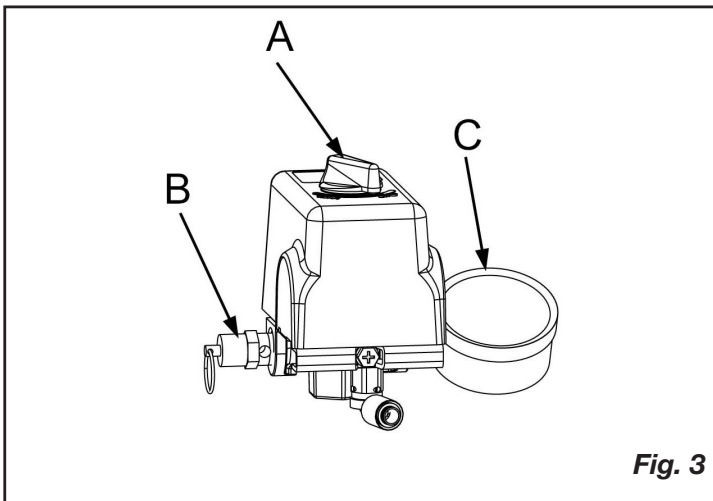
The pressure switch also automatically bleeds pressure from the pump head when the pump stops. This feature eliminates back pressure in the pump, ensuring easier starting.

#### **Pressure Relief Valve (see B)**

If the pressure switch does *not* shut down the motor when pressure reaches the preset level, this valve will pop open automatically to prevent over pressurization. To operate manually, pull the ring on the valve to relieve air pressure in the tank.

#### **Tank Pressure Gauge (see C)**

This gauge measures the pressure level of the air stored in the tank. It is not adjustable by the operator, and does *not* indicate line pressure.



**Fig. 3**

# ELECTRICAL POWER REQUIREMENTS

## **⚠ WARNING**

**Risk of electrical shock. Improper electrical grounding can result in electrical shock. The wiring should be done by a qualified electrician.**

## **ELECTRICAL WIRING**

Refer to the air compressor's serial label for the unit's voltage and amperage requirements. Ensure that all wiring is done by a licensed electrician, in accordance with the National Electrical Code.

## **MAIN POWER PANEL**

For best performance and reliable starting, the air compressor must be installed on a dedicated circuit, as close as possible to the electrical power panel. Provide circuit breaker or fuse protection at your main power panel. Use time delay fuses on the circuit, because the compressor will momentarily draw several times its specified amperage when first started.

**NOTE:** A circuit breaker is recommended. If the air compressor is connected to a circuit protected by a fuse, use dual element time delay fuses (Buss Fusetron type "T" only).

## **MAIN POWER DISCONNECT SWITCH**

Install a main power disconnect switch in the line from the panel to the compressor. The main power disconnect switch must be located near the compressor, for ease of use and safety. When turned OFF, the main power disconnect switch shuts off all power to the compressor. When it is turned ON, the compressor will start and stop automatically, controlled by the pressure switch.

## **LOW VOLTAGE PROBLEMS**

Low voltage will cause difficult starting or an overload. Low voltage can be caused by a low supply voltage from the local power company, other equipment running on the same line, or inadequate wiring. If any other electrical devices are drawing from the compressor's circuit, it may fail to start.

Low voltage to the compressor can be caused by a supply wire of insufficient gauge for the distance between the compressor and the power source. The longer the distance, the larger the wire gauge (lower the number) must be, to overcome the inherent voltage loss caused by the wire resistance. Refer to the National Electrical Code to determine proper wire size for your circuit.

If the wiring is not adequate, the input voltage will drop by 20 to 40 volts at startup. Low voltage or an overloaded circuit can result in sluggish starting that causes the circuit breaker to trip, especially in cold conditions.

## **GROUNDING INSTRUCTIONS**

This product must be connected to a grounded, metallic, permanent wiring system, or an equipment - grounding terminal or lead on the product.

## MOTOR RESET SWITCH AND WIRING

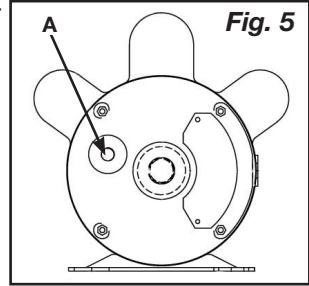
### **⚠ WARNING**

Ensure that all guards and shrouds are in place before pressing the reset switch to restart the motor.

TOPS senses both temperature and current, providing more complete motor overload protection than a magnetic starter, which senses only current. If TOPS senses an overload condition, it will automatically shut down the compressor. Allow 10-15 minutes for the unit to cool down, then press the reset button on the motor to restart the compressor.

If the motor shuts down because of overload, wait 10–15 minutes so the motor can cool down, then press (*NEVER force*) the reset switch (see **A**) to restart the motor (see **Fig. 5**).

**Note:** On stationary models not supplied with a power cord, the electrical power must be wired into the pressure switch by a Licensed Electrician.



## OPERATING INSTRUCTIONS

### BREAK-IN OF THE PUMP (Fig. 6)

**NOTE:** The pump is shipped with break-in oil which should be changed after the first 8 hours of operation.

1. Make sure the power is connected at the power panel.
2. Check the oil level in the pump (see “Checking the Oil” in the maintenance section).
3. Open the petcock (see **F**).



### **⚠ WARNING**

Escaping air and moisture can propel debris that may cause eye injury. Wear safety goggles when opening petcock.

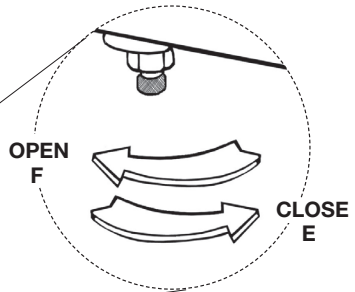
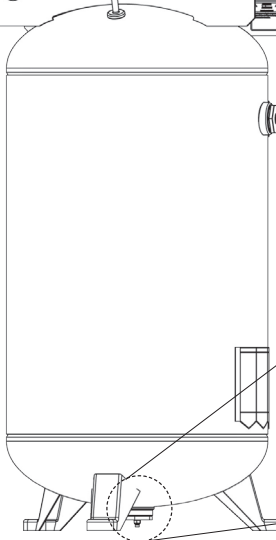
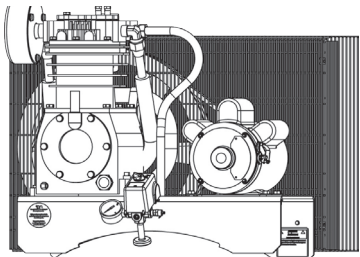
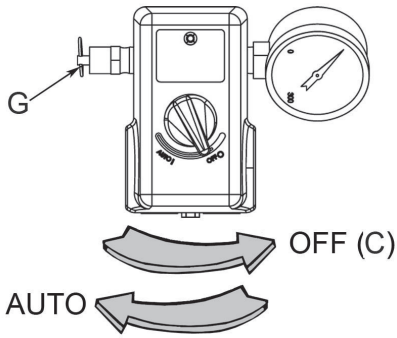
4. Turn ON the main power disconnect switch. Turn the pressure switch to the AUTO position (see **D**). The motor should start. Allow the compressor to run for 30 minutes, to break in the internal parts.

**NOTE:** If the unit does not operate properly, SHUT DOWN IMMEDIATELY, and contact your nearest Service Center or call the factory’s Customer Service Department. **DO NOT** return the unit to the store where it was purchased.

5. Shut OFF the main power disconnect. Close the petcock (see **E**). Connect your air hose to the tank outlet.

**NOTE:** As compressed air is used, the pressure switch will restart the motor automatically to supply more compressed air to the tank.

**Fig. 6**



# OPERATING INSTRUCTIONS

## DAILY START-UP (Fig. 6)

1. Check the oil level in the pump (see “Checking the Oil” in the maintenance section).
2. Make sure the main power disconnect switch is shut OFF.
3. Close the tank petcock (see **E**).
4. Turn ON the main power disconnect switch. Turn the pressure switch to the AUTO position (see **D**). The pump will start filling the tank with air. When the air pressure in the tank reaches the level preset at the factory, the pressure switch will turn off the electric motor. As air is used and the pressure level in the tank drops, the pressure switch will start the motor and the pump will begin refilling the tank.



### **⚠ WARNING**

High temperatures are generated by the pump. To prevent burns or other injuries, **DO NOT touch the pump or transfer tube while the pump is running. Allow it to cool before handling or servicing. Keep children away from the compressor at all times.**

**NOTE:** If the unit does not operate properly, SHUT DOWN IMMEDIATELY, and contact your nearest Service Center or call the factory's Customer Service Department. DO NOT return the unit to the store where it was purchased.

## COLD WEATHER STARTING

In cold weather check that the air filter is clean. ALWAYS use synthetic blend, non-detergent air compressor oil.

Open the petcock (**F**) (Fig. 6) to depressurize the tank to zero PSI before starting. If the compressor will not start, relocate it in a warmer location.

## SHUTDOWN (Fig. 6)

1. Turn the pressure switch to the OFF position (see **C**).
2. Shut OFF the main power disconnect switch.
3. Reduce pressure in the tank through the outlet hose. You can also pull the tank safety valve ring (see **G**) and keep it open to relieve pressure in the tank.



### **⚠ WARNING**

Escaping air and moisture can propel debris that may cause eye injury. **Wear safety goggles when opening petcock.**

4. Open the petcock (see **F**) to allow moisture to drain from the tank.

# MAINTENANCE

## MAINTENANCE

**⚠ WARNING** To avoid personal injury, always shut off and unplug the compressor and relieve all air pressure from the system before performing any service on the air compressor.

Regular maintenance will ensure trouble-free operation. Your electric powered air compressor represents high-quality engineering and construction; however, even high-quality machinery requires periodic maintenance. The items listed below should be inspected on a regular basis

### DRAINING THE TANK (Fig. 6)



**⚠ WARNING** Condensation will accumulate in the tank. To prevent corrosion of the tank from the inside, this moisture must be drained at the end of every workday.



**⚠ WARNING** Be sure to wear protective eyewear. Relieve the air pressure in the system and open the petcock on the bottom of the tank to drain.

### CHECKING THE OIL

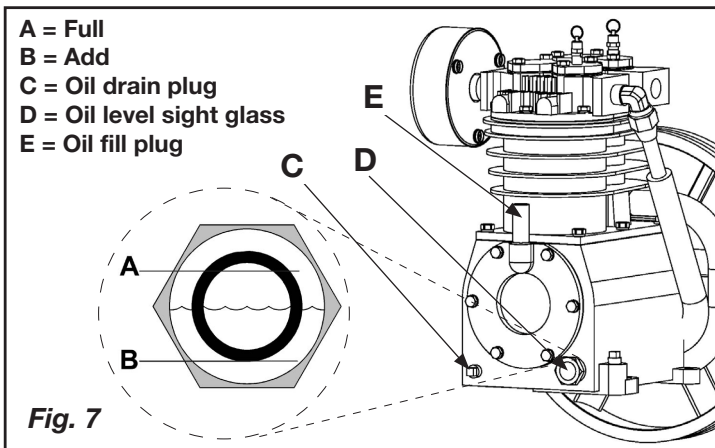
Check the level of oil in the pump with the sight glass. The pump oil level must be between **A** and **B** (See Fig. 7). Do not overfill or underfill.

**NOTE:** Use synthetic blend, non-detergent air compressor oil.

### CHANGING THE OIL

Remove the oil plug (**C**) (Fig. 7) and drain the oil until it slows to a drip, then close. Add oil to the pump by first removing the breather plug (**E**). Add oil until the level viewed through the sight glass (**D**) is between **FULL** (**A**) and **ADD** (**B**). Never overfill or underfill the pump.

**NOTE:** The compressor is pre-filled with synthetic oil. Use synthetic blend, non-detergent air compressor oil.



## MAINTENANCE

### BELT TENSION AND PULLEY ALIGNMENT



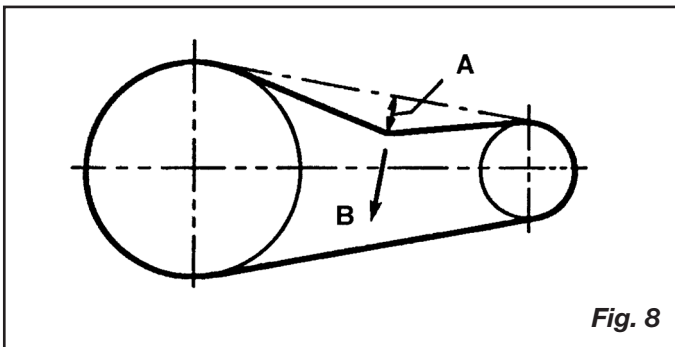
**WARNING** To avoid personal injury, always shut off and unplug the compressor and relieve all air pressure from the system before performing any service on the air compressor.

**NOTE:** Drive belt tensioning and pulley alignment are done at the same time. They are discussed separately for clarity.

### ADJUSTING DRIVE BELT TENSION

Proper belt tension and pulley alignment must be maintained for maximum drive efficiency and belt life. The correct tension exists if a deflection (see **A**) of 1/2" (13 mm) occurs by placing 5 lb (2.3 kg) of force (see **B**) midway between the motor pulley and the pump flywheel (See **Fig. 8**). This deflection can be adjusted by the following procedure. The pulley should be carefully aligned with the flywheel, and all setscrews should be kept tight.

1. Remove the belt guard.
2. Loosen the motor mounting bolts.
3. Shift the motor to the point where the correct deflection exists.
4. Retighten the motor mounting bolts.
5. Check to ensure that the tension remained correct.
6. Reinstall the belt guard. All moving parts must be guarded.



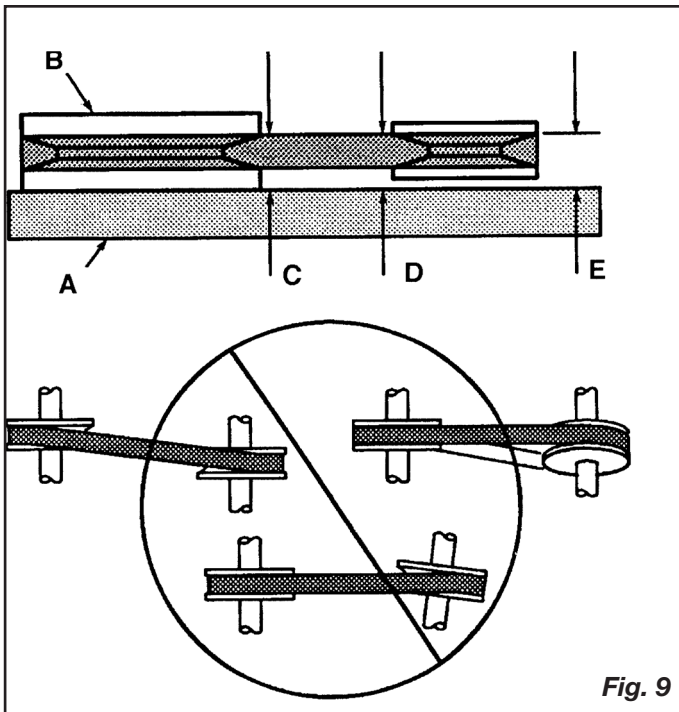


## MAINTENANCE

### PULLEY ALIGNMENT

To check pulley alignment, remove the belt guard and place a straightedge (see **A**) against the pump flywheel (see **B**) (See **Fig. 9**). Measure and record the distance from the straightedge to the edge of the drive belt at point **C**. Then measure the distance from the straightedge to the edge of the drive belt again at points **D** and **E**. Both distances should be the same as at point **C**. If **D** or **E** are different from **C**, there is a misalignment which must be corrected before the compressor is run. To correct a pulley misalignment, use the following procedure.

1. Remove the belt guard.
2. Loosen the motor mounting bolts.
3. Loosen the setscrew on the motor pulley.
4. Align the motor pulley with the pump flywheel ( $C = D = E$ ).
5. Retighten the motor pulley setscrew.
6. Adjust the proper belt tension.
7. Retighten the motor mounting bolts.
8. Reinstall the belt guard. All moving parts must be guarded.

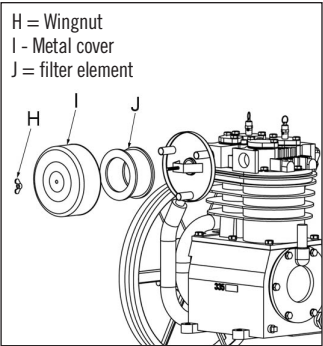


**Fig. 9**

## MAINTENANCE

### CLEANING THE AIR FILTER

A dirty air filter will reduce the compressor's performance and life. To avoid any internal contamination of the pump, the filter should be cleaned frequently, and replaced on a regular basis. Felt filters should be cleaned in warm, soapy water, rinsed, and allowed to air dry before reinstallation. Paper filters should be replaced when dirty. Do not allow the filter to become filled with dirt or paint. If the filter becomes filled with paint, it should be replaced. Direct exposure to dirty conditions or painting areas will void your warranty.



### CHECKING THE RELIEF VALVE

Pull the relief valve daily to ensure that it is operating properly and to clear the valve of any possible obstructions.

### TESTING FOR LEAKS

Check that all connections are tight. A small leak in any of the hoses, transfer tubes, or pipe connections will substantially reduce the performance of your air compressor. If you suspect a leak, spray a small amount of soapy water around the area of the suspected leak with a spray bottle. If bubbles appear, repair or replace the faulty component. Do not overtighten any connections.

### STORAGE

Before storing the compressor for a prolonged period, use an air blow gun to clean all dust and debris from the compressor. Disconnect the power cord and coil it up. Pull the pressure relief valve to release all pressure from the tank. Drain all moisture from the tank. Clean the filter element and filter housing; replace the element if necessary. Drain the oil from the pump crankcase and replace it with new oil. Cover the entire unit to protect it from moisture and dust.

## SERVICE INTERVAL

Perform the following maintenance at the intervals indicated below.

Inspect and clean air filter .....	<b>Weekly</b>
Check pump oil level .....	<b>Daily</b>
Change pump oil .....	<b>Every 200 operating hours</b>
<i>Use synthetic blend, non-detergent air compressor oil.</i>	
Operate the pressure relief valves .....	<b>Daily</b>
Check belt tension .....	<b>Every 250 operating hours</b>
Drain tank.....	<b>Daily</b>
Check and tighten all bolts .....	<b>After first 8 hours and</b>
<b>(Do not overtighten)</b>	<b>every 500 operating hours</b>

## TROUBLESHOOTING

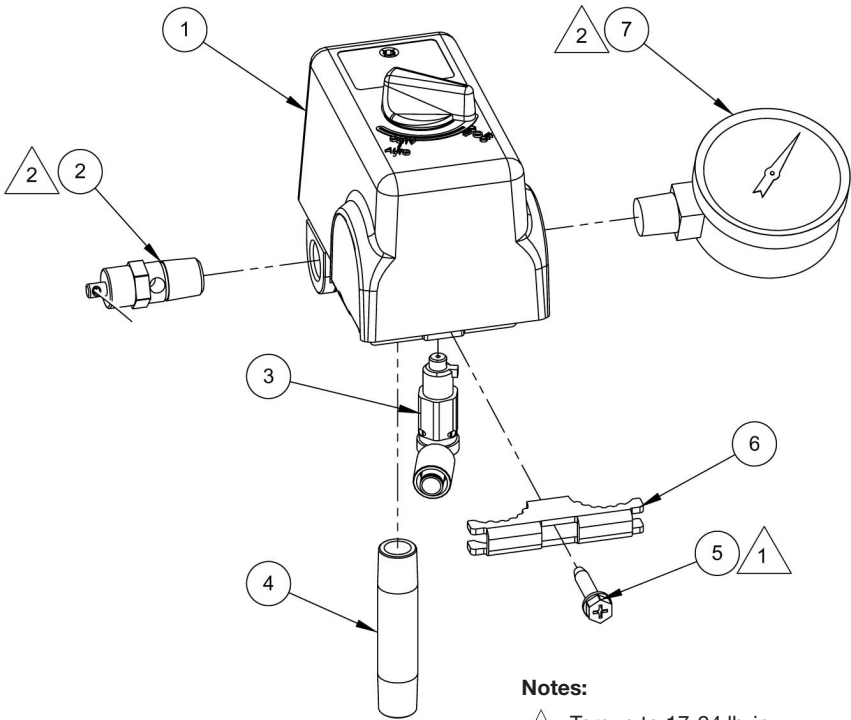
**Note:** Troubleshooting problems may have similar causes and solutions.

PROBLEM	POSSIBLE CAUSE	SOLUTION
<b>Excessive current draw trips circuit breaker of motor reset switch</b>	Low voltage/motor overload	Check that power supply is adequate and that compressor is on a dedicated circuit. If compressor is connected to a circuit protected by a fuse, use dual element time delay fuses (Buss Fusetron type "T" only).
	Drive belt too tight	Readjust belt tension
	Restricted air passages	Inspect and replace transfer tubes or check valve, as required.
<b>Compressor stalls</b>	Low voltage motor	Furnish adequate power.
	Bad check valve	Replace the check valve.
	Seized pump	Contact authorized service center.
<b>Low discharge pressure</b>	Air leaks	Tighten or replace leaking fittings or connections. Do not overtighten.
	Leaking valves	Contact authorized service center.
	Restricted air intake	Clean or replace air filter element(s).
	Blown gaskets	Contact authorized service center.
	Worn piston rings or cylinder	Contact authorized service center.
<b>Compressor pump knocking</b>	Loose engine pulley or compressor flywheel	Retighten pulley and flywheel. Check alignment.
	Low oil level in pump crankcase	Keep oil at proper level at all times.
	Excess carbon on valves or top of piston	Contact authorized service center.

## TROUBLESHOOTING

PROBLEM	POSSIBLE CAUSE	SOLUTION
<b>Oil in discharge air</b>	Worn piston rings or cylinder	Contact authorized service center.
	Restricted air intake	Clean or replace the air filter element(s).
	Oil level too high	Reduce to proper level.
<b>Overheating</b>	Poor ventilation	Relocate compressor to an area with cool, dry, well circulated air, at least 12 in. from nearest wall.
	Dirty cooling surfaces	Clean all cooling surfaces thoroughly.
	Restricted air passages	Replace transfer tubes and/or unloader.
<b>Excessive belt wear</b>	Pulley out of alignment	Realign pulley with compressor flywheel.
	Improper belt tension	Readjust.
	Pulley wobbles	Replace the pulley and check for a damaged crankshaft or flywheel.
<b>Compressor won't start in cold temperatures</b>	Too much back pressure in tank	Open petcock when starting motor.
	40W oil in crankcase	Use synthetic blend, non-detergent air compressor oil.
	Compressor too cold	Move compressor to a warmer location.

## PARTS DRAWING



**Notes:**

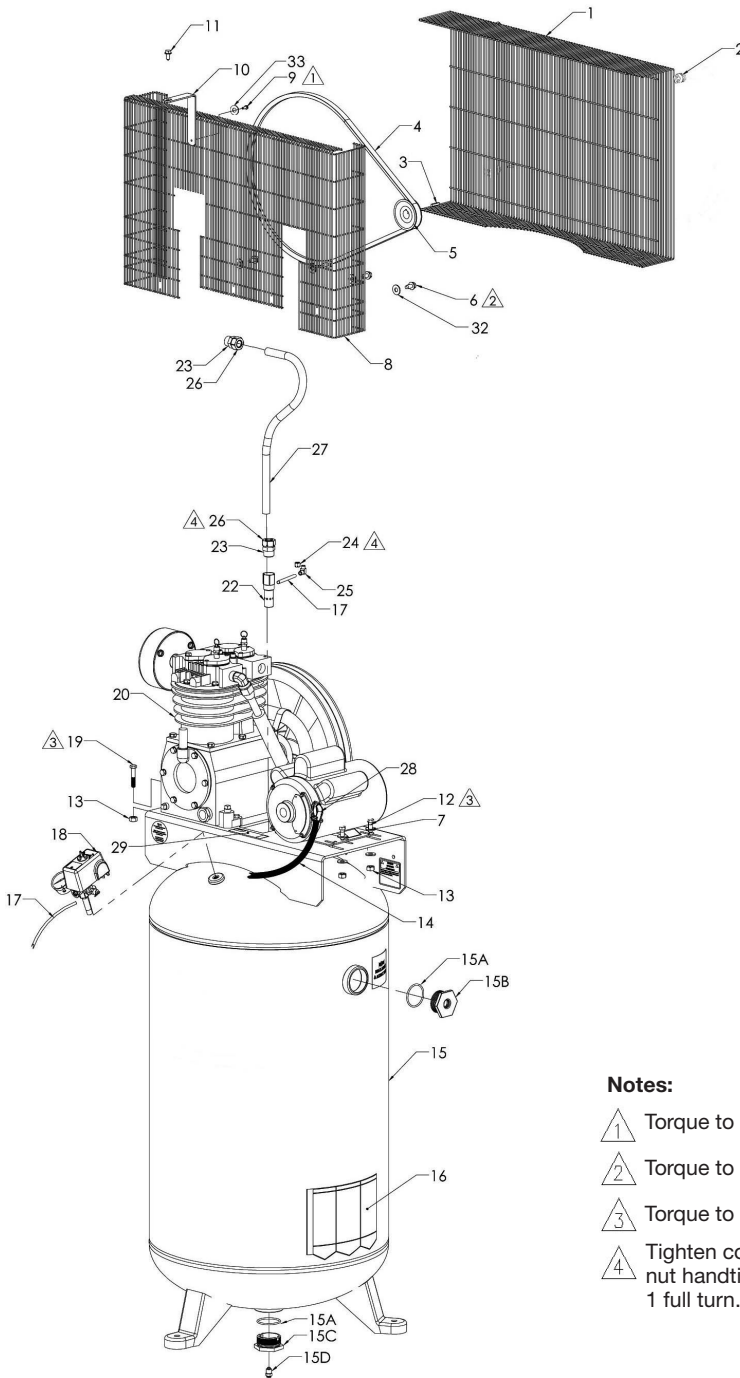
- Torque to 17-24 lb-in.
- Torque to 125-150 lb-in.

## PARTS LIST

Item	Part No	Qty	Description
1	034-0199	1	Switch, pressure (includes items 3, 5 & 6)
2	136-0007	1	Valve, ASME
3	136-0090	1	Valve, bleeder
4	N/A	1	Nipple, 1/4" NPT x 2.5" lg
5	N/A	1	Screw, #10-32 x 15/16"
6	071-0019	1	Strain relief
7	032-0025	1	Gauge, 300# 1/4" bottom connect
7	136-0090	1	Valve, bleeder

\*N/A - These are standard parts available at your local hardware store.

# PARTS DRAWING



## PARTS LIST

Item	Part No	Qty	Description
1	115-0318	1	Beltguard (outer)
2	103-0073	4	Fastener
3	146-0016	1	Key
4	008-0051	1	Belt, BX59
5	006-0157	1	Pulley
6	N/A	4	Screw, 3/8-16 x 3/4
7	N/A	8	Washer, flat 5/16
8	125-0178	1	Beltguard (inner)
9	N/A	1	Screw, 10-24 x .50"
10	114-0626	1	Bracket
11	N/A	1	Bolt, 5/16" x .50"
12	N/A	4	Bolt, 5/16 x .75
13	N/A	4	Nut, 5/16-18
14	026-0299	1	Interconnect cord
15	021-0257	1	Tank assembly
15A	513-0001	2	O-Ring 2"
15B	512-0043	1	Bushing, 2" NPSM X 3/4" NPT
15C	512-0041	1	Bushing, 2" NPT x 3/4" NPT
15D	072-0006	1	Petcock
16	098-3870	1	Warning label
17	145-0495	1	Bleeder tube
18	See page 21	1	Switch assembly
19	N/A	4	Bolt, 3/8-16 x 1-1/2"
20	See pages 24-25	1	Pump assembly
21	160-0337	1	Motor
21a	166-0191	1	Start capacitor
21b	166-0193	1	Start capacitor cover
21c	166-0192	1	Run capacitor
21d	166-0194	1	Run capacitor cover
22	031-0020	1	Check valve
23	068-0003	2	Connector, Male 3/4"
24	058-0017	1	Compression Nut, 1/4"
25	064-0003	1	Elbow
26	058-0012	2	Compression nut, 3/4"
27	145-0491	1	Transfer tube
28	071-0003	1	Strain relief
29	098-2856	1	Warning label
31	N/A (not shown)	2	Setscrew
32	N/A	4	Washer, flat 3/8"
33	N/A	1	Washer, #10

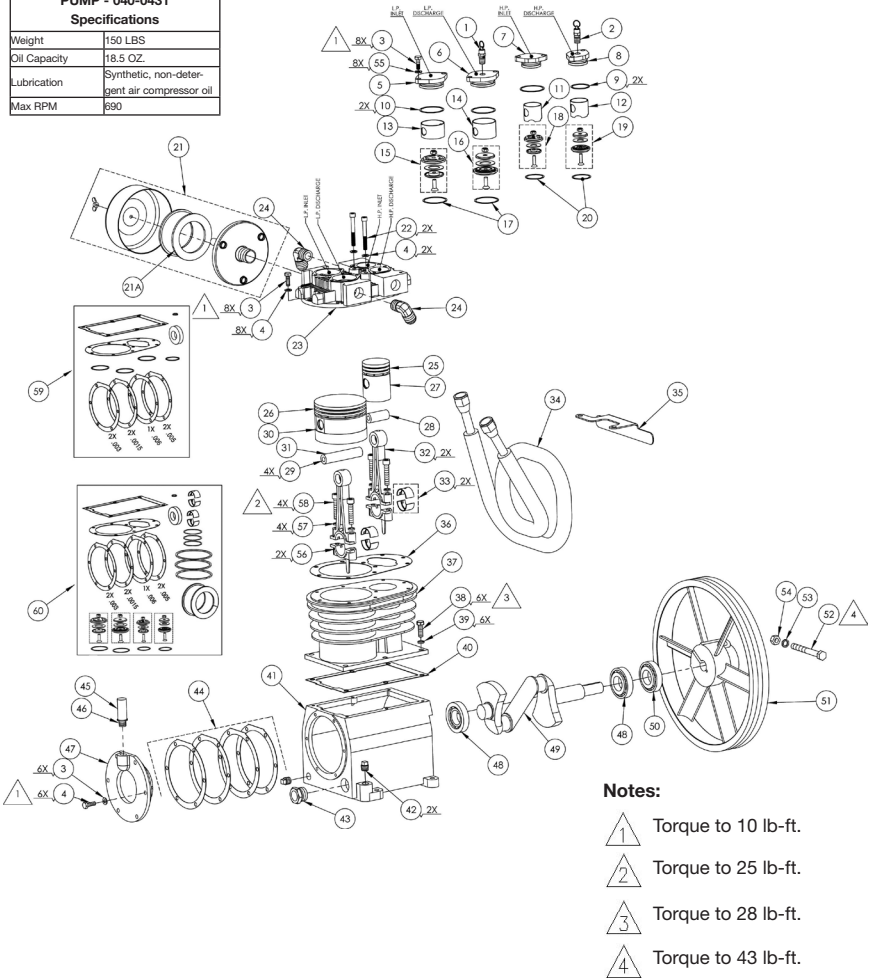
\*N/A - These are standard parts available at your local hardware store.

# PARTS DRAWING





PUMP - 040-0431

## Specifications

Weight	150 LBS
Oil Capacity	18.5 OZ.
Lubrication	Synthetic, non-detergent air compressor oil
Max RPM	690



### Notes:

-  Torque to 10 lb-ft.
-  Torque to 25 lb-ft.
-  Torque to 28 lb-ft.
-  Torque to 43 lb-ft.

# PARTS LIST

Item	Part No	Qty	Description
1	136-0007	1	Valve, pressure relief, l.p.
2	136-0046	1	Valve, pressure relief, h.p.
3	N/A	14	Bolt, M8 x 25
4	N/A	17	Lock washer, M8
5	077-0186	1	Cover, valve l.p. inlet
6	077-0187	1	Cover, l.p.
7	077-0188	1	Cover, valve h.p. inlet
8	077-0189	1	Cover, h.p.
9	054-0252	2	O-ring, h.p. cover
10	054-0253	2	O-ring, l.p. cover
11	019-0241	1	Spacer, h.p. inlet
12	019-0242	1	Spacer, h.p. discharge



Item	Part No	Qty	Description
13	019-0243	1	Spacer, l.p. inlet
14	019-0244	1	Spacer, h.p. discharge
15	043-0209	1	Intake valve assy, l.p.
16	043-0210	1	Exhaust valve assy, l.p.
17	046-0310	2	Copper gasket valve l.p.
18	043-0211	1	Intake valve assy, h.p.
19	043-0212	1	Exhaust valve assy, h.p.
20	046-0311	2	Copper gasket valve h.p.
21	019-0245	1	Filter, assy ( <i>includes item 21a</i> )
21a	019-0246	1	<i>Element, filter replacement</i>
22	N/A	2	Screw, M6 x 80
23	042-0122	1	Head
24	064-0092	2	Elbow
25	054-0257	1	Ring set, h.p.
26	054-0255	1	Ring set, l.p.
27	048-0122	1	Piston h.p.
28	052-0040	1	Wrist pin, h.p.
29	054-0256	4	Retaining ring
30	048-0123	1	Piston l.p.
31	052-0041	1	Wrist pin, l.p.
32	047-0100	2	Connecting rod assy ( <i>includes items 33 and 56-58</i> )
33	051-0105	2 pr	Insert, bearing
34	145-0490	1	Finned tube
35	114-0625	1	Bracket, tube
36	046-0312	1	Gasket, cylinder head
37	050-0066	1	Cylinder
38	N/A	6	Bolt, M10 x 30
39	N/A	6	Washer, #10
40	046-0313	1	Gasket, cylinder
41	049-0054	1	Crankcase
42	N/A	2	Oil drain plug, 3/8" NPT
43	032-0093	1	Oil sight glass w/o-ring
44	046-0314	1	Gasket set, carrier
45	056-0080	1	Breather ( <i>includes item 46</i> )
46	046-0315	1	Breather washer
47	045-0055	1	Carrier
48	051-0106	2	Bearing
49	053-0108	1	Crankshaft
50	046-0316	1	Oil seal
51	044-0073	1	Flywheel
52	N/A	1	Bolt, M12 x 80
53	N/A	1	Lock washer, 1/2"
54	N/A	1	Nut, 1/2"-13
55	N/A	2	Copper gasket 8MM
56	Order #32	2	Oil dipper
57	N/A	4	Lock washer, M10
58	N/A	4	Bolt, M10 x 50

\*N/A - These are standard parts available at your local hardware store.

## Available Service Kits

	Part No	Description
59	046-0317	Gaskets, complete set ( <i>includes items 40 (1), 36 (1), 17 (2), 20 (2), 44 (1), 46 (1) and 50 (1)</i> )
60	165-0278	Overhaul kit ( <i>includes items 59 (1), 15 (1), 16 (1), 18 (1), 19 (1), 33 (2pr), 26 (1), 25 (1), and 21A (1)</i> )
	040-0431	Pump assembly ( <i>includes items 1-58</i> )

## LIMITED WARRANTY

**Porter-Cable Industrial Tools** are warranted from date of purchase.

**2 Year** – Limited warranty on oil-lubricated air compressor pumps.

**1 Year** – Limited warranty on all other air compressor components.

This warranty is not transferable to subsequent owners.

Porter-Cable will repair or replace, without charge, at Porter-Cable's option, any defects due to faulty materials or workmanship. For further detail of warranty coverage and warranty repair information, call 1-(888)-895-4549 or visit [portercable.com](http://portercable.com). This warranty does not apply to accessories or damage caused where repairs have been made or attempted by others. This warranty also does not apply to merchandise sold by PORTER-CABLE which has been manufactured by and identified as the product of another company, such as gasoline engines. Such manufacturer's warranty, if any, will apply. **ANY INCIDENTAL, INDIRECT OR CONSEQUENTIAL LOSS, DAMAGE OR EXPENSE THAT MAY RESULT FROM ANY DEFECT, FAILURE OR MALFUNCTION OF THE PRODUCT IS NOT COVERED BY THIS WARRANTY.** Some states do not allow the exclusion of limitation of incidental or consequential damages, so the above limitation or exclusion may not apply to you. **IMPLIED WARRANTIES, INCLUDING THOSE OF MERCHANTABILITY OR FITNESS FOR A PARTICULAR PURPOSE, ARE LIMITED TO ONE YEAR FROM THE DATE OF ORIGINAL PURCHASE.** Some states do not allow limitations on how long an implied warranty lasts, so the above limitations may not apply to you.

**What the Company Will Do:** (the company) will cover parts and labor to remedy substantial defects due to materials and workmanship during the first year of ownership, with the exceptions noted below. Parts used in repair of whole goods or accessories are warranted for the balance of the original warranty period.

**What is not covered Under This Warranty?** Failures by the original retail purchaser to install, maintain, and operate said equipment in accordance with standard industry practices. Modifications to the product, or tampering with components, or failure to comply with the specific recommendations of the Company set forth in the owner's manual, will render this warranty null and void. The Company shall not be liable for any repairs, replacements, or adjustments to the equipment, or any costs for labor performed by the purchaser without the Company's prior written approval. The effects of corrosion, erosion, surrounding environmental conditions, cosmetic defects, and routine maintenance items, are specifically excluded from this warranty. Routine maintenance items such as: oil, lubricants, and air filters, as well as changing oil, air filters, belt tensioning, etc... fall under the owner's responsibility. Additional exclusions include: freight damage, failures resulting from neglect, accident, or abuse, induction motors when operated from a generator, oil leaks, air leaks, oil consumption, leaky fittings, hoses, petcocks, bleeder tubes, and transfer tubes.

- The following components are considered normal wear items and are not covered after the first year of ownership: Belts, sheaves, flywheels,

check valves, pressure switches, air unloaders, throttle controls, electric motors, brushes, regulators, o-rings, pressure gauges, tubing, piping, fittings, fasteners, wheels, quick couplers, gaskets, seals, air filter housings, piston rings, connecting rods, and piston seals.

- Labor, service calls, and travel charges, are not covered after the first year of ownership on stationary compressors (compressors without handles, or wheels). Repairs requiring overtime, weekend rates, or any other charges beyond the standard shop labor rate are not covered.
- Time required for orientation training for the service center to gain access to the product, or additional time due to inadequate egress.
- Damage caused by incorrect voltage, improperly wired, or failure to have a certified licensed electrician install the compressor, will render this warranty null and void.
- Damage caused from inadequate filter maintenance.
- Pump wear or valve damage caused by using oil not specified.
- Pump wear or damage caused by any oil contamination.
- Pump wear or valve damage caused by failure to follow proper maintenance guidelines.
- Operation below proper oil level or operation without oil.
- Gas Engines, if product is equipped with a gas engine, see engine manual for specific engine manufacturer's warranty coverage.

**Parts purchased separately:** The warranty for parts purchased separately such as: pumps, motors, etc., are as follows:

From Date of Purchase

- |                                |         |
|--------------------------------|---------|
| • All single & two stage pumps | 1 year  |
| • Electric motors              | 90 days |
| • Universal motor/pump         | 30 days |
| • All other parts              | 30 days |
- No return authorization will be issued for electrical components once items are installed.


**How do You Get Service?** In order to be eligible for service under this warranty you must be the original retail purchaser, and provide proof of purchase from one of the Company's dealers, distributors, or retail outlet stores. Portable compressors or components must be delivered, or shipped, to the nearest Authorized Service Center. All associated freight costs and travel charges must be borne by the consumer. Please call our toll free number 1-888-895-4549 for assistance.


THIS WARRANTY GIVES YOU SPECIFIC LEGAL RIGHTS, AND YOU MAY ALSO HAVE OTHER RIGHTS WHICH VARY FROM STATE TO STATE.

THE COMPANY MAKES NO OTHER WARRANTY OR REPRESENTATION OF ANY KIND WHATSOEVER, EXPRESSED OR IMPLIED, EXCEPT THAT OF TITLE. ALL IMPLIED WARRANTIES, INCLUDING ANY WARRANTY OF

MERCHANTABILITY AND FITNESS FOR PARTICULAR PURPOSE ARE HEREBY DISCLAIMED. LIABILITY FOR CONSEQUENTIAL AND INCIDENTAL DAMAGES UNDER ANY AND ALL WARRANTIES, OTHER CONTRACTS, NEGLIGENCE, OR OTHER TORTS IS EXCLUDED TO THE EXTENT EXCLUSION IS PERMITTED BY LAW.

**FREE WARNING LABEL REPLACEMENT:** If your warning labels become illegible or are missing, call 1-(888)-895-4549 for a free replacement.

<p><b>WARNING</b> <b>AVERTISSEMENT</b> <b>ADVERTENCIA</b></p>	<p><b>HOT SURFACES:</b> To reduce the risk of burns - Do not touch exposed metal surfaces.</p> <p><b>SURFACES CHAUDES:</b> Pour réduire le risque de brûlures - Ne pas toucher aux surfaces métalliques exposées.</p> <p><b>SUPERFICIES CALIENTES:</b> Para reducir el riesgo de sufrir quemaduras - No tocar las superficies metálicas expuestas.</p>	 <p>098-2994</p>
---	--	---

160-3370	<b>WARNING</b>	<b>AVERTISSEMENT</b>	<b>ADVERTENCIA</b>
	<p><b>Before starting, read and understand the operator manual for safe operation and maintenance.</b></p> <p><b>Risk of fire or explosion—Do not spray a flammable liquid in a confined area or towards a hot surface. • Spray area must be well ventilated. • Do not smoke while spraying or spray where spark or flame is present. • Strain parts—Keep compressor at least 20 feet away from explosive vapors, such as when spraying with a spray gun.</b></p> <p><b>Risk of electric shock—Do not expose to rain. Store indoors. • Use a dedicated circuit. If connected to a circuit protected by a fuse, use time delay (marked D) fuses with the product.</b></p> <p><b>Risk of bursting—Do not adjust regulator to result in output pressure greater than the marked maximum pressure of attachment. • A regulator has not been installed use only attachments rated at 200 psi or higher. • Rust weakens tank, may cause explosion and severe or fatal injury/property damage. Drain condensed water from tank after each use to reduce rusting. • Never weld on or repair tank—replace by authorized dealer.</b></p> <p><b>Risk of injury—Do not direct air stream at body. • Disconnect power and drain all air pressure from tank before servicing and after each use. • Do not use compressed air for breathing. • Wear ANSI Z87 approved eye protection. • Do not operate with supplier guards removed.</b></p>	<p><b>Avant de commencer, lisez le temps de bien comprendre le manuel de l'opérateur pour une utilisation et un entretien sûrs.</b></p> <p><b>Risque d'incendie ou d'explosion—Ne pas pulvériser de liquide inflammable dans un endroit confiné ou vers une surface chaude. • La zone de pulvérisation doit être correctement ventilée. • Ne pas fumer pendant la pulvérisation et ne jamais pulvériser en présence d'éclaboussures ou de flammes. • Pièces de tension - Installer la compresseur à au moins 6 mètres (20 pi) des vapeurs explosives comme lors de l'application de peinture au pistolet.</b></p> <p><b>Risques de choc électrique—Ne pas exposer à la pluie. Garder à l'intérieur. • Utiliser un circuit distinct. Si l'équipement est connecté à un circuit protégé par fusibles, employer de fusibles de marqué D.</b></p> <p><b>Risque d'éclatement—Ne pas régler le régulateur à une pression de sortie supérieure à la pression maximale des accessoires. Si aucun régulateur n'est installé, n'utiliser que des accessoires d'une capacité nominale de 200 psi ou plus. • Les réservoirs affaiblis par la rouille peuvent exploser et entraîner la mort ou de graves blessures et provoquer d'importants dommages. Vidanger l'eau de condensation au réservoir après chaque utilisation afin de réduire la corrosion. Ne jamais souder ni réparer le réservoir - faire remplacer celui-ci par un centre de service agréé.</b></p> <p><b>Risque de blessure—Ne jamais diriger le jet d'air vers le corps. • Couper l'alimentation électrique et chasser toute pression d'air du réservoir avant l'entretien et après chaque usage. • Ne pas respirer l'air comprimé. • Porter des verres protecteurs homologués ANSI Z87. • Ne pas faire fonctionner si les capots protecteurs sont enlevés.</b></p>	<p><b>Antes de comenzar, lea y entienda el manual del operador para operar y dar mantenimiento a la unidad de manera segura.</b></p> <p><b>Riesgo de incendio o explosión—No rocíe líquidos inflamables en áreas confinadas ni hacia superficies calientes. • El área donde se va a rociar debe estar bien ventilada. • No fume mientras rocíe, ni rocíe en presencia de chispas o llamas. • Partes que pueden producir arco. Mantenga el compresor al menos a 6 metros (20 pies) de distancia de vapores explosivos, como los que se forman cuando se usa una pistola rociadora.</b></p> <p><b>Riesgo de descarga eléctrica—No exponga a la lluvia. Almacene en el interior. • Utilice un circuito dedicado. Si se conecta a un circuito protegido con un fusible, utilice fusibles con retardo (marcado D) con este producto.</b></p> <p><b>Riesgo de explosión—No ajuste el regulador de manera que la presión de salida sea mayor que la presión máxima marcada del accesorio. Si no se ha instalado un regulador, use solamente accesorios con presión nominal de 200 psi o más. • La corrosión debilita el tanque, puede causar una explosión y daños materiales graves o lesiones graves o fatales. Drene el agua condensada del tanque después de cada uso para reducir la corrosión. • Nunca soldes ni repare un tanque; reemplácelo en un centro de servicio autorizado.</b></p> <p><b>Riesgo de lesiones—No dirija la corriente de aire hacia el cuerpo. • Desconecte la corriente y libere toda la presión del aire del tanque antes de dar servicio y después de cada uso. • No use aire comprimido para respirar. • Use protección ocular aprobada según ANSI Z87. • No opere sin los dispositivos de protección proporcionados.</b></p>
	<p><b>RISK OF BURSTING</b> Prevent tank corrosion. After each usage, drain all moisture from tank. <b>MOISTURE DRAIN</b></p>	<p><b>RISQUE D'ÉCLATEMENT</b> Prévenir la corrosion en drainant toute humidité ou réservoir après chaque usage. <b>ÉVACUATION D'EAU</b></p>	<p><b>RIESGO DE EXPLOSION</b> Prevenir la corrosión del tanque. Después de cada uso, drene toda la humedad del tanque. <b>DESAGÜE DE AGUA</b></p>
	<p><b>OPEN</b></p>	<p><b>OUVERT</b></p>	<p><b>ABIERTO</b></p>

<p><b>WARNING</b></p>
<p>For supply connection, use wires acceptable for at least 90°C.</p> <p><b>AVERTISSEMENT</b></p> <p>Pour la connexion d'alimentation, utilisez des fils pouvant supporter au moins 90°C.</p> <p><b>ADVERTENCIA</b></p> <p>La conexión del suministro debe efectuarse con cables homologados para una temperatura de 90°C o mayor.</p>

<p><b>CAUTION</b> <b>ATTENTION</b> <b>PRECAUCION</b></p>
<p>To provide proper cooling the compressor must be kept a minimum of 12" (twelve inches) from the nearest wall or obstruction.</p> <p>Afin d'assurer un refroidissement adéquat, le compresseur doit être situé à au moins 30 cm de tout mur ou obstacle.</p> <p>Para que la compresora tenga el enfriamiento apropiado, debe mantenerse a una distancia mínima de 30 cm de la pared u obstrucción más cercana.</p>
<p>098-3031</p>

## GLOSSARY OF TERMS

### **CFM**

Cubic feet per minute; a unit of measure of air flow.

### **PSI**

Pounds per square inch; a unit of measure of air pressure.

### **Kick-in pressure**

Factory set low pressure point that starts the compressor to repressurize the tank to a higher pressure.

### **Kick-out pressure**

Factory set high pressure point that stops the compressor from increasing the pressure in the tank above a certain level.

### **Well-ventilated**

A means of providing fresh air in exchange for dangerous exhaust or vapors.

### **Dedicated circuit**

An electrical circuit reserved for the exclusive use of the air compressor.

### **ASME**

American Society of Mechanical Engineers.

Indicates that the components are manufactured, tested and inspected to the specifications set by ASME.

### **CSA**

#### **Canadian Standards Association**



Indicates that the products that have this marking have been manufactured, tested and inspected to standards that are set by CSA.

#### **Canadian Standards Association (USA)**



Indicates that the products that have this marking have been manufactured, tested and inspected to standards that are set by CSA. These products also conform to U.L. standard 1450.

## PARTS AND SERVICE

Replacement parts and service are available from your nearest authorized Service Center. If the need arises, contact Product Service as listed at right.

When consulting with a Service Center or Product Service, refer to the model number and serial number located on the serial label of the compressor. Proof of purchase is required for all transactions and a copy of your sales receipt may be requested.

Record the model number, serial number, and date purchased in the spaces provided below. Retain your sales receipt and this manual for future reference.

When needing service, please contact the nearest authorized Service Center or call:

### PRODUCT SERVICE



In U.S.A. or Canada

Toll-Free  
Fax

1-888-895-4549  
1-507-723-5013

Model No.

Serial No.

Date Purchased

--	--	--

Made in USA with domestic and foreign components

© 2012 **Sanborn Mfg.**  
Division of MAT Industries, LLC.  
Springfield, MN 56087

**1-888-895-4549**

All Rights Reserved.

## AVERTISSEMENT

Lisez et veillez à bien comprendre toutes les consignes de sécurité de ce manuel avant d'utiliser l'appareil. Toute dérogation aux instructions contenues dans ce manuel peut entraîner l'annulation de la garantie, causer des blessures et/ou des dégâts matériels. Le fabricant NE SAURA être tenu responsable de dommages résultant de l'inobservation de ces instructions.



### 1. RISQUE D'INCENDIE OU D'EXPLOSION.

Ne jamais vaporiser de liquides inflammables dans un endroit confiné. Il est normal que le moteur et le manostat produisent des étincelles pendant le fonctionnement. Si les étincelles entrent en contact avec les vapeurs d'essence ou d'autres solvants, ces vapeurs peuvent s'enflammer et causer un incendie ou une explosion. Utilisez toujours le compresseur dans une zone bien aérée. Ne fumez pas quand vous pulvérisez. Ne pulvérisez pas en présence d'étincelles ou de flammes. Placez le compresseur aussi loin que possible de la zone de pulvérisation.



### 2. RISQUE D'ÉCLATEMENT.

Ne soudez pas, ne percez pas ou ne modifiez pas le réservoir d'air de ce compresseur. La soudure ou des modifications sur le réservoir du compresseur d'air peut sensiblement altérer sa solidité et causer des conditions d'utilisation extrêmement dangereuses. La soudure ou la modification quelconque du réservoir entraînera l'annulation de la garantie.



### 3. RIS ÉLECTRIQUE.

N'utilisez jamais un compresseur d'air électrique à l'extérieur quand il pleut ou sur une surface mouillée sous peine de vous exposer à une décharge électrique.



### 4. RISQUE DE BLESSURE.

Cet appareil se met en marche automatiquement. Arrêtez TOUJOURS le compresseur, et purgez toute la pression du circuit avant de procéder à l'entretien du compresseur ou lorsque vous ne l'utilisez pas. N'utilisez pas l'appareil sans les protections ou le garde-courroie. Risque de blessures graves en cas de contact avec les pièces en mouvement !



### 5. RISQUE D'ÉCLATEMENT.

Vérifiez les spécifications de pression maximum recommandées par le fabricant pour les outils et les accessoires pneumatiques. La pression de sortie du compresseur doit être réglée de façon à ne

jamais dépasser la pression maximum nominale de l'outil. Dépressurisez entièrement le tuyau avant de raccorder ou de débrancher des accessoires.



### 6. RISQUE D'ÉCLATEMENT.

Les températures élevées sont produites par la pompe et la tubulure. Pour éviter toute brûlure ou d'autres blessures, NE TOUCHEZ PAS la pompe, le distributeur ou le tube de transfert tandis que la pompe fonctionne. Laissez-les refroidir avant de les manipuler ou de procéder à leur entretien. Ne laissez jamais les enfants s'approcher du compresseur.



### 7. RISQUE RESPIRATOIRE.

Veillez à lire toutes les étiquettes quand vous pulvérisez de la peinture ou des matériaux toxiques, et suivez les consignes de sécurité. Utilisez un masque à gaz si vous risquez d'inhaler le produit pulvérisé. Lisez toutes les instructions et veillez à ce que le masque à gaz assure votre protection. Ne jamais inhaler l'air comprimé d'un compresseur. Il ne convient pas à la respiration.



### 8. RISQUE DE BLESSURE AUX YEUX.

Porter toujours des lunettes de sécurité homologuées ANSI Z87.1 lors de l'utilisation d'un compresseur d'air. Ne dirigez jamais une buse ou un pulvérisateur vers quelqu'un ou une quelconque partie du corps. Ce matériel peut causer des blessures graves si le produit vaporisé pénètre dans la peau.



### 9. RISQUE D'ÉCLATEMENT.

Ne régler la soupape de décharge sous aucun prétexte : ceci aurait pour effet d'annuler toutes les garanties. La soupape de décharge est pré-réglée en usine à la pression maximum de l'unité. L'altération de la soupape de décharge risque d'entraîner des blessures et/ou des dégâts matériels.



### 10. RISQUE D'ÉCLATEMENT.

N'utilisez pas de tuyaux en plastique ou en PVC pour l'air comprimé. Utilisez uniquement des tuyaux et des raccords en

acier galvanisé pour le circuit de distribution de l'air comprimé.



#### 11. RISQUE D'ÉCLATEMENT.

L'eau condensée n'est pas correctement vidangée du réservoir d'air provoquant ainsi la formation de rouille et un amincissement du réservoir d'air en acier. Vidanger le réservoir d'air quotidiennement ou après chaque utilisation. Si le réservoir présente une fuite, le remplacer immédiatement par un nouveau réservoir d'air ou par un nouveau compresseur.



#### 12. RISQUE AUDITIF.

Porter toujours des protecteurs d'oreilles en utilisant un compresseur d'air. Dans le cas contraire, il y a risque de perte d'audition.



13. Le cordon de liaison de ce produit contient du plomb, un produit chimique reconnu par l'État de la Californie comme pouvant provoquer des cancers,

des anomalies congénitales ou d'autres effets néfastes sur la fonction de reproduction. **Laver les mains après l'avoir manipulé.**

#### REMARQUE: CÂBLAGE ÉLECTRIQUE.

Pour savoir quelles sont les normes d'intensité et de tension de l'appareil, référez-vous à l'étiquette du numéro de série du compresseur d'air. Veillez à ce que tout le câblage soit effectué par un électricien qualifié conformément au Code National Électrique des E.U.

## ⚠ DANGER



#### RISQUE D'ÉCLATEMENT.

Réservoir d'air comprimé : Le 26 février 2002, la U.S. Consumer Product Safety Commission américaine a publié la règle n° 02-108 portant sur la sécurité en matière de réservoir d'air comprimé des compresseurs :

Les réservoirs d'air comprimé des compresseurs n'ont pas une durée de vie illimitée. La durée de vie des réservoirs dépend de plusieurs facteurs, qui comprennent entre autres : les conditions d'utilisation, les conditions ambiantes, une installation adéquate, les modifications sur site, et le niveau de maintenance. L'effet exact que peut avoir ces facteurs sur la durée de vie des réservoirs d'air est difficilement prévisible.

Si les procédures adéquates de maintenance ne sont pas suivies, la corrosion sur la paroi interne du réservoir d'air comprimé peut faire que celui-ci éclate de façon inopinée laissant soudainement l'air pressurisé s'échapper avec force, posant ainsi des risques de dommages corporels à l'utilisateur.

Le réservoir d'air de votre compresseur doit être mis hors service à la fin de l'année mentionnée sur l'étiquette d'avertissement apposée sur le réservoir.

Les conditions suivantes peuvent amener la dégradation du réservoir d'air, et faire que ce dernier explose violemment :

#### CE QUI PEUT SE PRODUIRE

- L'eau condensée n'est pas correctement vidangée du réservoir d'air provoquant ainsi la formation de rouille et un amincissement du réservoir d'air en acier.
- Modifications apportées au réservoir d'air ou tentatives de réparation.

#### COMMENT L'ÉVITER

- Vidanger le réservoir d'air quotidiennement ou après chaque utilisation. Si le réservoir présente une fuite, le remplacer immédiatement par un nouveau réservoir d'air ou par un nouveau compresseur.
- Ne jamais percer un trou dans le réservoir d'air ou ses accessoires, y faire de la soudure ou y apporter quelque modification que ce soit. Ne jamais essayer de réparer un réservoir d'air endommagé ou avec des fuites. Le remplacer par un nouveau réservoir d'air.



- Des modifications non autorisées de la soupape de décompression, ou de tous autres composants qui régissent la pression du réservoir d'air.
- Le réservoir d'air a été conçu pour supporter des pressions spécifiques de fonctionnement. Ne faites jamais effectuer de réglages ou de substitutions de pièces en vue de modifier les pressions de fonctionnement réglées en usine.

## **AVERTISSEMENT**

1. Vidangez tous les jours l'humidité accumulée dans le réservoir. Pour éviter la corrosion, le réservoir doit être propre et sec.
2. Tirez tous les jours sur l'anneau de la soupape de décharge pour vous assurer qu'elle fonctionne correctement et éliminer toutes les obstructions possibles de la soupape.
3. Pour assurer une ventilation correcte pour le refroidissement, le compresseur doit être placé à une distance minimum de 31 cm (12 pouces) du mur le plus proche, dans une zone bien aérée.
4. Pour éviter tout endommagement du réservoir et du compresseur sur les modèles fixes, calez le réservoir de façon à ce que la pompe soit à niveau à  $\pm 3$  mm (1/8") pour distribuer correctement l'huile. Tous les pieds doivent être soutenus et des cales doivent être placées aux endroits nécessaires avant la fixation au sol. Fixez tous les pieds au sol. Il est également recommandé de placer des tampons d'amortissement (094-0137) sous les pieds du réservoir.
5. Si vous transportez le compresseur, fixez-le bien. Avant de le transporter, il faut d'abord dépressuriser le réservoir.
6. Protégez le tuyau d'air contre les risques d'endommagement et de perforation. Inspectez-le chaque semaine pour déceler toute trace de faiblesse ou d'usure et remplacez-le au besoin.
7. Pour réduire les risques de décharge électrique, protégez l'appareil de la pluie. Entrez-le à l'intérieur.

## **AVERTISSEMENT**

**CALIFORNIE PROPOSITION 65 AVERTISSEMENT:** Ce produit contient des produits chimiques connus de l'État de Californie comme causant des cancers, des anomalies congénitales et/ou présentant des dangers pour la reproduction.

## **TABLEAU DES SPÉCIFICATIONS**

MODÈLE	RUNNING H.P. (CV)	CAPACITÉ DU RÉSEROIR LITRES	TENSION/ AMPS/ PHASE	PRESSION D' OUVERTURE	PRESSION DE FERM.
PXCMV5248069	5.2	80 (302,8)	240/22/1	145 (9,99 bar)	175 (12,1 bar)

## ÉLÉMENTS DE BASE DE COMPRESSEUR D'AIR

Le moteur, le dispositif de protection contre la surcharge thermique (TOPS), la pompe et le réservoir constituent les éléments de base du compresseur d'air.

Le **moteur électrique (A)** actionne la pompe. La TOPS détecte la température et l'intensité du courant ; il assure une meilleure protection contre la surcharge du moteur que celle fournie par un démarreur magnétique qui ne détecte que l'intensité du courant. Si le TOPS détecte une surcharge, le compresseur est immédiatement arrêté. Laissez refroidir l'unité pendant une durée de 10 à 15 minutes et appuyez ensuite sur le bouton de réenclenchement situé sur le moteur pour remettre en marche le compresseur.

La **pompe (B)** comprime l'air.

Le **réservoir (C)** contient l'air comprimé.

Le **manostat (D)** arrête le moteur et libère la pression d'air dans la pompe et le tube de transfert quand la pression dans le réservoir atteint la pression de fermeture. Au fur et à mesure que l'air comprimé est utilisé et que le niveau de pression dans le réservoir baisse jusqu'à la pression d'ouverture, le manostat remet le moteur en marche automatiquement, sans avertissement, et la pompe reprend la compression d'air.

Le **sortie d'air (voir E)**. Raccorder le tuyau pneumatique NPT de 6.35 mm (1/4 po) à cette sortie.

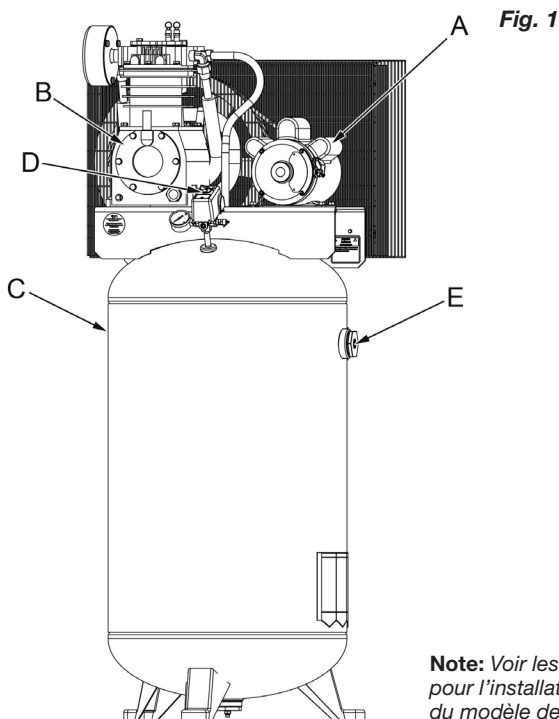


Fig. 1

**Note:** Voir les pages 32 et 33 pour l'installation typique du modèle de 80 gallons.

# ASSEMBLAGE

1. Sortez le compresseur d'air de sa boîte. Inspectez-le pour vous assurer qu'il n'est pas endommagé. S'il a été endommagé pendant le transport, référez-vous à l'étiquette de transport et déclarez les dommages aux transporteurs. Faites cette démarche immédiatement étant donné les délais limites des demandes d'indemnisation.

Le carton doit contenir:

- compresseur d'air
- manuel de l'opérateur et manuel de pièces

2. Vérifiez l'étiquette du numéro de série du compresseur pour vous assurer qu'il s'agit bien du modèle commandé et que la pression nominale est conforme à l'utilisation prévue.
3. Positionnez le compresseur conformément aux recommandations suivantes :



## ⚠ AVERTISSEMENT

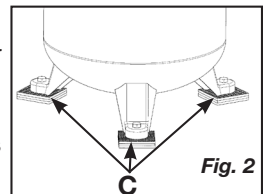
**Ne placez jamais le compresseur à un endroit où il y a des vapeurs dégagées par des liquides inflammables tels que la peinture, les solvants ou l'essence. Il est normal que le moteur et l'interrupteur de pression produisent des étincelles lorsqu'ils fonctionnent. Si les étincelles entrent en contact avec les vapeurs inflammables, celles-ci risquent de prendre feu, causant ainsi un incendie ou une explosion. Utilisez toujours le compresseur dans une zone bien aérée.**

- a. Pour obtenir un rendement optimum, placez le compresseur près du panneau de tension (référez-vous aux SPÉCIFICATIONS DU COURANT ELECTRIQUES), et aussi près que possible de l'endroit où l'air sera utilisé. Cela assure un niveau d'alimentation maximum du compresseur et un niveau de pression d'air maximum de l'outil. *Si ces deux conditions ne peuvent pas être respectées, il est préférable de placer le compresseur près du panneau de tension et d'utiliser un tuyau flexible plus long pour atteindre la zone d'utilisation.*
- b. Le compresseur doit être situé à au moins 30 cm de tout mur ou obstacle, dans un endroit propre et bien ventilé, afin d'assurer une circulation d'air et un refroidissement adéquats.
- c. Dans les zones climatiques froides, placez le compresseur dans un bâtiment chauffé pour minimiser les problèmes de graissage, de mise en marche du moteur et de gel de la condensation de l'eau.
- d. Enlevez le compresseur de la palette d'expédition et placez-le sur le sol ou sur une surface dure et horizontale. Le compresseur doit être de niveau pour assurer le graissage de la pompe et une vidange correcte de l'eau condensée dans le réservoir récepteur.

## ⚠ AVERTISSEMENT

**Risque de blessure. La palette d'expédition n'est pas conçue pour servir de base à un compresseur en marche. L'utilisation d'un compresseur toujours en place sur la palette entraîne l'annulation de la garantie.**

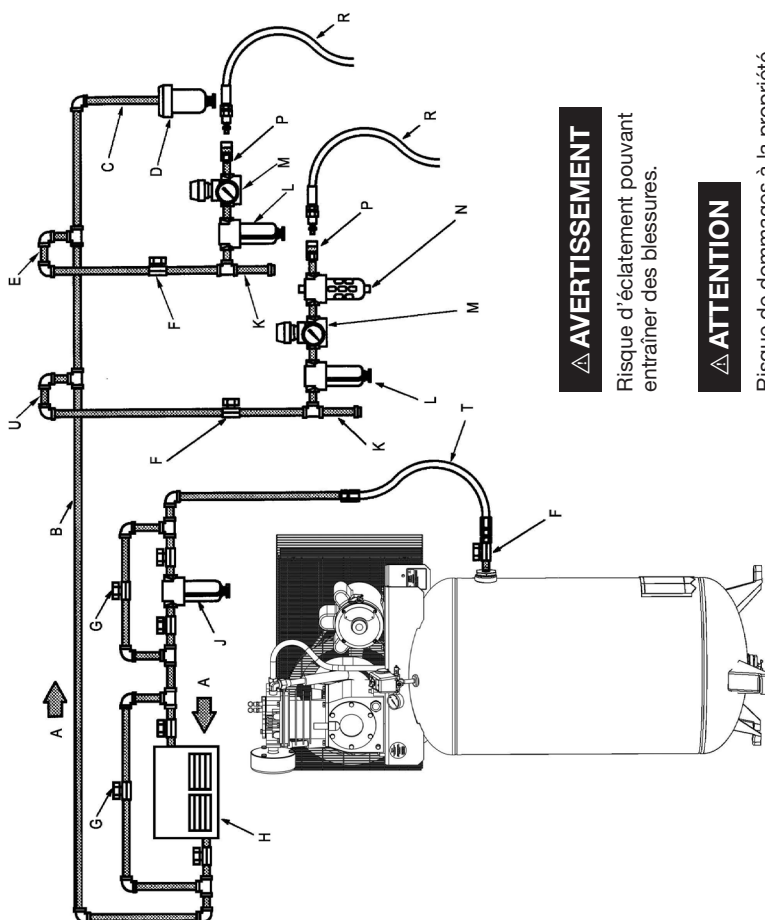
- e. Pour éviter tout endommagement du réservoir et de la pompe, des cales doivent être placées sous le réservoir de façon à ce que la pompe soit de niveau, avec une variation maximum de 3 mm (1/8") par pied courant, afin que l'huile soit correctement répartie. Fixez-les pieds du réservoir dans le sol mais ne les forcez JAMAIS lors du serrage si des cales n'ont pas été placées. Nous recommandons également d'utiliser des tampons d'amortissement de vibrations (094-0137) sous les pieds du réservoir (C).



4. Reliez des tuyaux d'air (non inclus) au compresseur.

# INSTALLATION TYPIQUE

- A Circulation d'air
- B Tuyau d'alimentation
- C Conduite de vidange
- D Humidité enfermée à l'intérieur de la vidange
- E Conduite d'alimentation non lubrifiée
- F Soupape rotative d'1/4
- G Conduit de dérivation
- H Dessiccateur et/ou radiateur secondaire
- J Filtre de conduite
- K T d'égouttage avec évacuation
- L Filtre à air/eau avec robinet de décompression
- M Régulateur
- N Graisseur
- P Coupleur
- R Flexible à air
- T Flexible à air
- U Conduite d'alimentation lubrifiée



## ⚠ AVERTISSEMENT

Risque d'éclatement pouvant entraîner des blessures.

## ⚠ ATTENTION

Risque de dommages à la propriété.  
N'utilisez Pas de lubrificateur pour les travaux de pulvérisation de peinture ou pour des applications similaires.

## INSTALLATION TYPIQUE

### DESSICATEURS ET RADIATEURS SECONDAIRES

Un sècheur d'air ou radiateur secondaire est monté directement sur la canalisation d'air.

### DESSICATION ET FILTRAGE DE L'AIR

Au fur et à mesure que l'air refroidit, l'humidité se condense dans les conduites. Cette humidité doit être éliminée avant qu'elle n'atteigne l'outil utilisé. Pour éliminer cette humidité, acheminer la conduite d'air principale vers le bas jusqu'à un séparateur d'eau et vidanger. Les filtres à air/eau doivent être installés aux positions illustrées.

### RÉGULATION DE LA PRESSION D'AIR

Installer un régulateur d'air dans la conduite de drainage de chaque outil pour réguler la pression d'air de cet outil. *Ne dépassez jamais la limite de pression de l'outil.*

### LUBRIFICATION DE L'AIR

Installez un lubrificateur d'air seulement sur les outils qui ont besoin d'être lubrifiés. *N'utilisez pas de lubrificateur pour les travaux de pulvérisation de peinture ou pour des applications similaires.* L'huile se mélange à la peinture et abîme le travail.

### SOUPAPES D'ARRÊT

Installer des soupapes d'arrêt dans chaque conduite de drainage afin d'isoler l'outil et ses accessoires pour l'entretien. Vous pouvez également installer une conduite de dérivation autour de l'accessoire.

## COMMANDES DU COMPRESSEUR

Référez-vous à fig. 3.



### ⚠ AVERTISSEMENT

Pour votre sécurité, la pression du réservoir est préréglée à l'intérieur de l'interrupteur et ce réglage ne doit jamais être modifié.

#### Manostat (A)

Cet interrupteur ne doit pas être réglé par l'utilisateur ; une telle action entraînerait l'annulation de la garantie. L'interrupteur de pression contrôle le niveau de pression d'air dans le récepteur en arrêtant et en remettant en marche le moteur automatiquement de façon à maintenir le niveau de pression préréglé par l'usine.

L'interrupteur de pression purge aussi automatiquement la pression par la tête de la pompe du compresseur lorsque celui-ci s'arrête. Ce dispositif permet d'éliminer tout reflux de pression dans la pompe afin d'assurer une mise en marche plus facile.

#### Soupape de décharge (B)

Si le manostat n'arrête pas le moteur quand la pression atteint le niveau prédéfini, cette soupape s'ouvre automatiquement pour éviter toute surpressurisation. Pour l'actionner manuellement, tirez sur son anneau afin de libérer la pression d'air dans le réservoir.

#### Manomètre du réservoir (C)

Ce manomètre mesure le niveau de pression d'air dans le réservoir. L'utilisateur ne peut pas régler ce manomètre et il n'indique pas la pression dans la conduite.

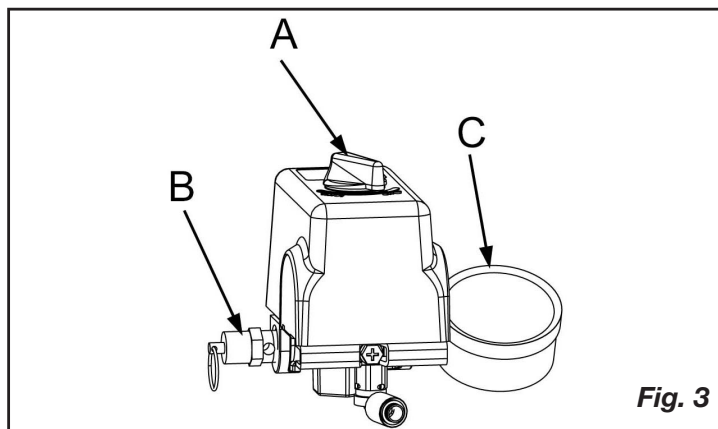


Fig. 3

## SPÉCIFICATIONS DE L'ALIMENTATION ÉLECTRIQUE

### ⚠ AVERTISSEMENT

Risque de chocs électriques. Une mise à la terre électrique inappropriée peut causer des chocs électriques. Le câblage devrait être effectué par un électricien qualifié.

#### CÂBLAGE ÉLECTRIQUE

Pour savoir quelles sont les normes d'intensité et de tension de l'appareil,

## SPÉCIFICATIONS DE L'ALIMENTATION ÉLECTRIQUE

référez-vous à l'étiquette du numéro de série du compresseur d'air. Veillez à ce que tout le câblage soit effectué par un electricien qualifié conformément au Code National Électrique des E.U. Utilisez un tube isolant pour protéger le câblage du compresseur et entre l'interrupteur de pression et le moteur.

### PANNEAU DE TENSION PRINCIPALE

Pour obtenir un rendement optimum et une mise en marche fiable, le compresseur doit être installé sur un circuit séparé, aussi près que possible du panneau de tension. Installer un disjoncteur ou un dispositif de protection par fusible sur le panneau de tension principale. Utilisez des fusibles à action retardée sur le circuit parce que le compresseur tire momentanément et à plusieurs reprises son intensité de courant spécifique lors de la mise en marche initiale.

**REMARQUE :** Il est recommandé d'utiliser un disjoncteur. Si le compresseur est branché sur un circuit protégé par un fusible, utilisez des fusibles temporisés à double élément (Buss Fusetron de type «T» seulement).

### SECTIONNEUR DE TENSION PRINCIPALE

Installez un sectionneur de tension principale dans la conduite située entre le panneau et le compresseur. Le sectionneur doit être installé près du compresseur par commodité et sécurité. Lorsqu'il est enclenché, le compresseur se met en marche et s'arrête automatiquement selon l'impulsion de commande fournie par l'interrupteur de pression.

### PROBLÈMES DE TENSION TROP BASSE

Toute tension insuffisante entraîne des difficultés de mise en marche ou une surcharge. Une insuffisance de tension peut être causée par une insuffisance de la tension d'alimentation fournie par l'entreprise d'électricité locale, d'autres appareils branchés sur la même ligne ou par un câblage insuffisant. Il est possible que le compresseur ne démarre pas si d'autres appareils électriques sont branchés sur le même circuit.

Il se peut que la tension du compresseur soit insuffisante si le câble utilisé entre le compresseur et la source du courant est trop petit par rapport à la distance. Plus la distance est longue, plus le diamètre du câble doit être grand pour compenser la perte de tension inhérente causée par la résistance du câble. Référez-vous au Code National Électrique des E.U. pour déterminer la dimension correcte du câble à utiliser sur votre circuit.

Si le câblage n'est pas adéquat, la tension baisse de 20 à 40 volts au moment de la mise en marche. La mise en marche lente du compresseur causant le déclenchement du disjoncteur peut résulter d'une insuffisance de tension ou de la surcharge du circuit, spécialement par temps froid.

### INSTRUCTIONS POUR LA MISE À LA TERRE

Ce produit doit être relié à une installation électrique permanente, métallique et mise à la terre, ou à un équipement (prise de terre ou conducteur de terre) sur le produit.

## REMISE EN MARCHÉ ET CABLAGE DU MOTEUR

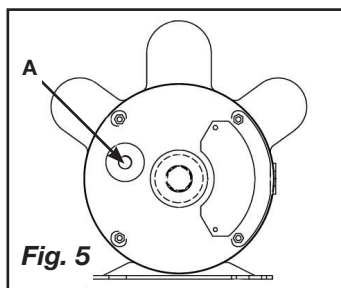
### ⚠ AVERTISSEMENT

Veillez à ce que toutes les sécurités et protections soient installées avant d'appuyer sur l'interrupteur de remise en marche.

Le TOPS détecte la température et l'intensité du courant; il assure une meilleure protection contre la surcharge du moteur que celle fournie par un démarreur magnétique qui ne détecte que l'intensité du courant. Si le TOPS détecte une surcharge, le compresseur est immédiatement arrêté. Laissez refroidir l'unité pendant une durée de 10 à 15 minutes et appuyez ensuite sur le bouton de réenclenchement situé sur le moteur pour remettre en marche le compresseur.

Si le moteur s'arrête à la suite d'une surcharge, attendez entre 10 et 15 minutes que le moteur ait le temps de refroidir et appuyez ensuite sur l'interrupteur de réenclenchement (ne le forcez JAMAIS) situé à l'avant du moteur pour remettre en marche le moteur.

**REMARQUE :** Sur les modèles stationnaires non fournis avec un cordon de secteur, le courant électrique doit être câblé dans le mano-contact par un électricien autorisé.



## MODE D'EMPLOI

### RODAGE DE LA POMPE (Fig. 6)

**REMARQUE :** La pompe du compresseur expédié contient de l'huile de rodage qui doit être remplacée après les premières huit heures de fonctionnement.

1. Vérifiez que le panneau de tension est sous tension.
2. Vérifier le niveau d'huile de la pompe (voir « Vérifier l'huile » de la section Maintenance).
3. Ouvrez le robinet de purge (voir F).



### ⚠ AVERTISSEMENT

L'air et l'humidité qui s'échappent peuvent projeter des particules pouvant causer des blessures aux yeux. Portez des lunettes de protection lorsque vous ouvrez le robinet de purge.

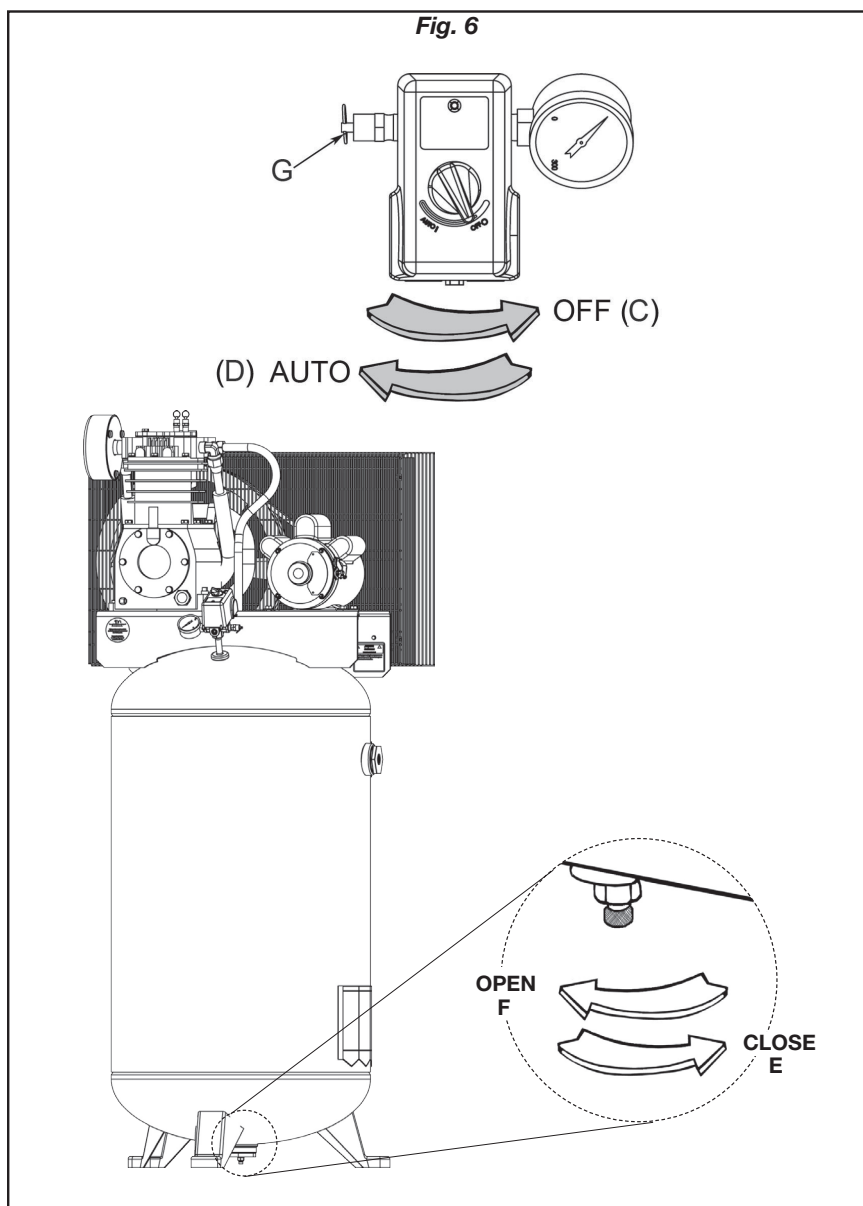
4. Mettez le sectionneur de tension principale sous tension. Tourner le mano-contacteur en position MARCHÉ (D). Le compresseur devrait se mettre en marche. Laissez marcher le compresseur à vide pendant 30 minutes pour roder les pièces internes.

**REMARQUE:** Si l'appareil ne fonctionne pas correctement, ARRETEZ-LE IMMÉDIATEMENT et contactez le Centre d'Entretien le plus proche ou appelez le Service Relation clientèle de l'usine. NE ramenez PAS l'appareil au magasin où vous l'avez acheté.



5. Placer le manoccontacteur en position ARRÊT (voir A). Mettez le sectionneur de tension principale hors tension. Fermez le robinet de décompression (voir E). Branchez votre tuyau flexible sur le orifice de sortie du récepteur.

**REMARQUE:** Comme l'air comprimé est utilisé, le manostat relance automatiquement le moteur à alimentation en air comprimé plus dans le réservoir.



## MODE D'EMPLOI

### MISE EN MARCHÉ QUOTIDIENNE (Fig. 6)

1. Vérifier le niveau d'huile de la pompe (voir « Vérifier l'huile » de la section Maintenance).
2. Veillez à ce que le sectionneur de tension principale soit HORS TENSION.
3. Fermer le robinet de purge (voir E).
4. Mettez le sectionneur de tension principale SOUS TENSION. Tourner le manocontacteur en position MARCHÉ(voir D). Le pompe commence alors à remplir le réservoir avec de l'air. Lorsque la pression d'air dans le réservoir atteint le niveau préréglé par l'usine, l'interrupteur de pression arrête le moteur électrique. Au fur et à mesure que l'air est utilisé et que le niveau de pression baisse dans le réservoir, l'interrupteur de pression remet en marche le moteur et le pompe recommence à remplir le récepteur.



#### ⚠ AVERTISSEMENT

**El motor eléctrico y la bomba del compresor genera altas temperaturas. Para evitar quemaduras y otras lesiones, NO toque el compresor al estar en funcionamiento. Permita que se enfríe antes de manipular o realizar el servicio. Mantenga a los niños alejados del compresor en todo momento.**

**REMARQUE:** L'air et l'humidité qui s'échappent peuvent projeter des particules pouvant causer des blessures aux yeux. Portez des lunettes de protection lorsque vous ouvrez le robinet de purge.

### DÉMARRAGE PAR TEMPS FROID

Dans le contrôle de temps froid que le filtre à air à air est propre. Huile synthétique mélangée non détergente pour compresseur d'air.

Ouvrez le robinet (E) (Fig. 6) de décompression pour dépressuriser le compresseur jusqu'à zéro PSI avant de le mettre en marche. Si le compresseur ne se met pas en marche, installez-le à un autre endroit plus chaud.

### ARRÊT

1. Placer le manocontacteur en position ARRÊT (voir C).
2. Mettez le sectionneur de tension principale HORS TENSION.
3. Réduire la pression du réservoir au moyen du tuyau de sortie. Vous pouvez aussi tirer sur la bague de la soupape de sûreté du réservoir (voir E) et la tenir ouverte afin de libérer la pression contenue dans le réservoir.



#### ⚠ AVERTISSEMENT

**L'air et l'humidité qui s'échappent peuvent projeter des particules risquant de causer des blessures aux yeux. Portez des lunettes de protection lorsque vous ouvrez le robinet de purge.**

4. Ouvrez le robinet de purge (voir F) pour vidanger l'humidité du réservoir.

# ENTRETIEN

## ENTRETIEN

**⚠ AVERTISSEMENT** Pour éviter les risques de blessures, arrêtez et débranchez toujours le compresseur et libérez toute la pression d'air dans le circuit avant de procéder à l'entretien.

L'entretien régulier de l'appareil permettra d'assurer un fonctionnement sans problèmes. Votre compresseur d'air électrique est un appareil de haute qualité ; toutefois, même les machines de haute qualité nécessitent un entretien périodique. Les composants énumérés ci-dessous doivent être inspectés régulièrement.

### VIDANGE DU RÉSERVOIR (FIG. 6)



#### ⚠ AVERTISSEMENT

De la condensation se forme dans le réservoir. Pour éviter la formation de corrosion depuis l'intérieur du réservoir, cette condensation doit être évacuée à la fin de chaque journée de travail.



#### ⚠ AVERTISSEMENT

Veillez à porter des lunettes de protection. Libérez la pression d'air dans le circuit et ouvrez le robinet de purge en bas du réservoir pour vidanger.

### VÉRIFICATION DU NIVEAU D'HUILE

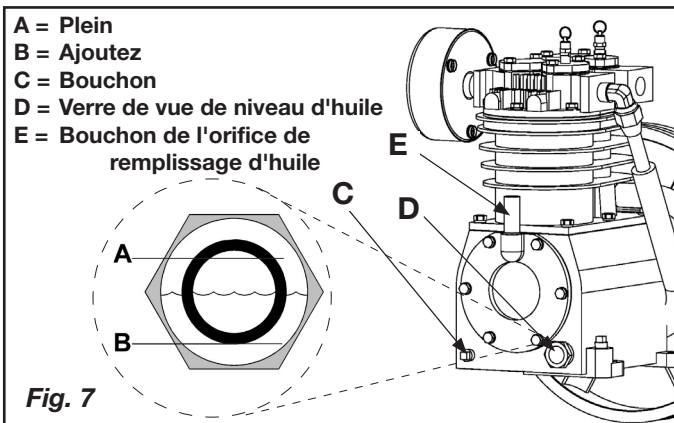
Vérifiez le niveau d'huile dans la pompe grâce au voyant.. Le niveau d'huile dans la pompe doit être situé entre les marques **A** et **B** (voir Fig. 7). Ne remplissez pas trop, mais remplissez suffisamment.

**REMARQUE:** Huile synthétique mélangée non détergente pour compresseur d'air.

### VIDANGE D'HUILE

Retirez le bouchon d'huile (**C**) (Fig. 7), laissez s'écouler l'huile jusqu'à ce qu'elle s'égoutte puis refermer le bouchon. Retirez le bouchon d'évent (**E**) avant de faire l'appoint d'huile. Ajoutez de l'huile jusqu'à ce que le niveau, tel qu'indiqué par le voyant (**D**), se situe entre les marques FULL (plein) (**A**) et ADD (ajouter) (**B**). Assurez-vous de ne jamais trop remplir, mais de remplir suffisamment.

**REMARQUE:** Le compresseur est rempli d'huile synthétique à l'usine. Huile synthétique mélangée non détergente pour compresseur d'air.



## ENTRETIEN

### TENSION DE LA COURROIE ET ALIGNEMENT DE LA POULIE



#### ⚠ AVERTISSEMENT

Pour écarter les risques de blessures, arrêtez et débranchez toujours le compresseur et libérez toute la pression d'air dans le circuit avant de procéder à son entretien.

**REMARQUE :** La tension de la courroie et l'alignement de la poulie se font simultanément. Chaque procédure est décrite séparément par souci de clarté.

### RÉGLAGE DE LA TENSION DE LA COURROIE D'ENTRAÎNEMENT

Pour une efficacité d'entraînement et une durée de vie maximales de la courroie, l'alignement de la poulie et la tension de la courroie doivent être maintenus. La tension est correcte en présence d'un fléchissement (**A**) de 13 mm (1/2") après l'application d'une force (**B**) de 2,3 kg (5 lb) à mi-distance entre la poulie du moteur et le volant-moteur de la pompe (**Fig. 8**). Ce fléchissement peut être réglé en procédant comme suit. La poulie doit être soigneusement alignée sur le volant-moteur et toutes les vis d'arrêt doivent être serrées.

1. Enlevez le garde-courroie.
2. Desserrez les boulons de montage du moteur.
3. Décalez le moteur jusqu'au point où le fléchissement correct est obtenu.
4. Resserrez les boulons de montage du moteur.
5. Assurez-vous que la tension reste correcte.
6. Réinstallez le garde-courroie. Toutes les pièces en mouvement doivent être protégées par une sécurité.

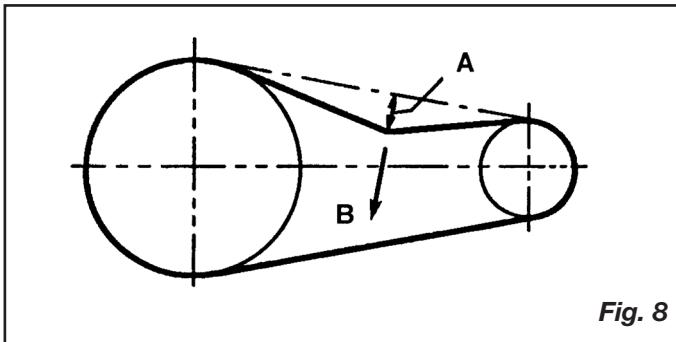


Fig. 8

## ALIGNEMENT DE LA POULIE

Pour vérifier l'alignement de la poulie, placez une règle (A) contre le volant-moteur du compresseur (B) (Fig. 9). Mesurez et notez la distance entre la règle et le bord de la courroie d'entraînement au point C. Mesurez ensuite de nouveau la distance entre la règle et le bord de la courroie d'entraînement aux points D et E. Les deux distances doivent correspondre à la même distance qu'en C. Si D ou E est différent de C, il existe un défaut d'alignement qu'il faut corriger avant de faire fonctionner le compresseur. Pour corriger un défaut d'alignement de la poulie, procédez comme suit :

1. Enlevez le garde-courroie.
2. Desserrez les boulons de montage du moteur.
3. Desserrez la vis d'arrêt sur la poulie du moteur.
4. Alignez la poulie du moteur sur le volant-moteur de la pompe ( $C = D = E$ ).
5. Resserrez la vis d'arrêt de la poulie du moteur.
6. Réglez correctement la tension de la courroie.
7. Resserrez les boulons de montage du moteur.
8. Réinstallez le garde-courroie. Toutes les pièces en mouvement doivent être protégées par une sécurité.

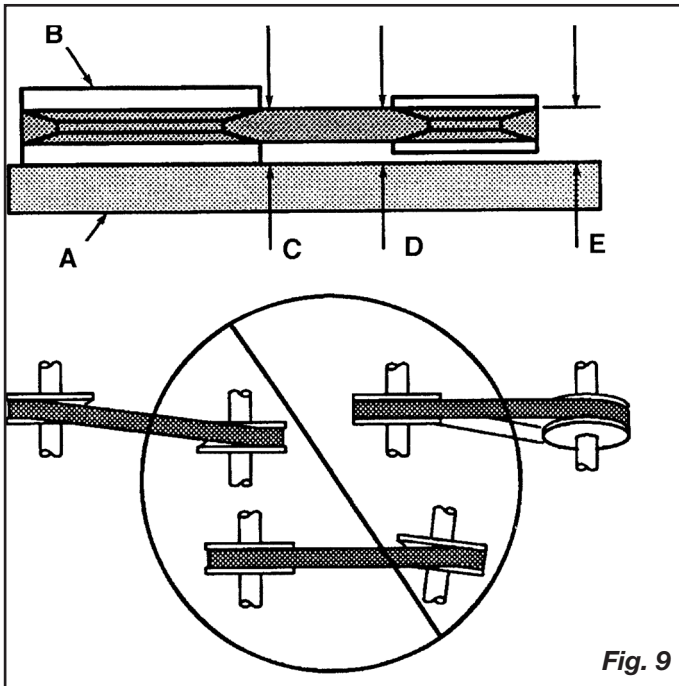
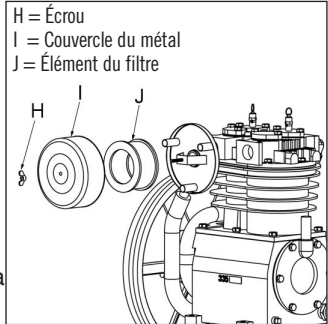


Fig. 9

## ENTRETIEN

### NETTOYAGE DU FILTRE À AIR

Un filtre à air sale réduira les performances et la durée de vie du compresseur. Pour éviter toute contamination interne de la pompe, le filtre doit être nettoyé fréquemment et remplacé régulièrement. Les filtres en feutre doivent être nettoyés dans de l'eau savonneuse tiède. Les filtres en papier doivent être remplacés quand ils sont sales. Il ne faut pas que les filtres soient remplis de saletés ou de peinture. Si le filtre se remplit de peinture, remplacez-le. Votre garantie sera annulée si l'appareil est directement exposé à des saletés et de la peinture.



### VÉRIFICATION DE LA SOUPAPE DE DÉCHARGE

Tirez chaque jour sur la soupape de décharge pour vous assurer qu'elle fonctionne correctement et éliminer toutes les obstructions éventuelles.

### ESSAI D'ÉTANCHÉITÉ

Assurez-vous que tous les raccords sont serrés. Le rendement de votre compresseur peut être réduit de manière significative en présence d'une petite fuite d'air dans les tuyaux flexibles, les tubes de transfert ou les raccords de tuyauterie. Si vous suspectez une fuite, vaporisez un peu d'eau savonneuse autour de la zone. Si des bulles apparaissent, réparez ou remplacez le composant défectueux. Ne serrez pas trop.

### ENTREPOSAGE

Avant d'entreposer le compresseur pour une période prolongée, utilisez une soufflette pour nettoyer toute la poussière et tous les débris du compresseur. Débranchez le cordon d'alimentation et enrroulez-le. Tirez sur la soupape de décharge pour libérer toute la pression dans le réservoir. Évacuez toute l'humidité du réservoir. Nettoyez les éléments et le boîtier du filtre ; remplacez les éléments au besoin. Vidangez l'huile du carter de la pompe et remplacez-la par de l'huile neuve. Couvrez tout l'appareil pour le protéger de l'humidité et de la poussière.

## ENTRETIEN PÉRIODIQUE

Effectuez l'entretien suivant aux intervalles indiqués ci-dessous.

**Inspectez et nettoyez le filtre à air.....Chaque semaine**

**Vérifiez le niveau d'huile de la pompe ..... Chaque jour**

**Changez l'huile de la pompe ..... Toutes les 200 heures de fonctionnement**

*Huile synthétique mélangée non détergente pour compresseur d'air.*

**Faites fonctionner les -soupapes de décharge..... Chaque jour**

**Vérifiez la tension de la courroie.. Toutes les 250 heures de fonctionnement**

**Vidangez le réservoir..... Chaque jour**

**Vérifiez et serrez tous les boulons ..... Después de las primeras 8 horas  
(no ajuste demasiado) y cada 500 horas de operación**

## DÉPANNAGE

**Remarque :** Les problèmes de dépannage peuvent avoir des causes et des solutions similaires.

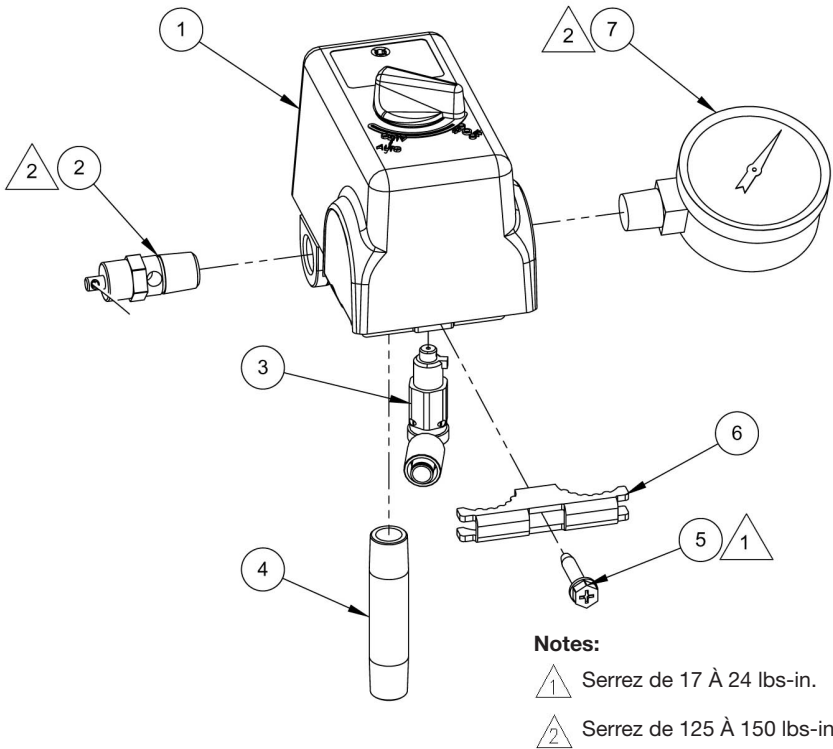
PROBLÈME	CAUSE POSSIBLE	SOLUTION
<b>Le prélèvement excessif de courant cause le déclenchement du disjoncteur ou de l'interrupteur de remise en marche du moteur</b>	Tension insuffisante/ surcharge du moteur	Vérifiez que l'alimentation est adéquate et que le compresseur est branché sur un circuit séparé. Vérifiez que le compresseur est branché sur son propre circuit. Si le compresseur est branché sur un circuit protégé par un fusible, utilisez des fusibles temporisés à double élément (Buss Fusetron de type «T» seulement).
	Courroie d'entraînement trop serrée	Réajustez la tension de la courroie.
	Passages d'air colmatés	Inspectez et remplacez les tubes de transfert ou la soupape d'arrêt, selon les besoins.
<b>Le compresseur cale</b>	Tension insuffisante vers le moteur	Fournissez une puissance adéquate.
	Soupape d'arrêt défectueuse	Remplacez la soupape d'arrêt.
	Grippage de la pompe	Contactez le centre d'entretien agréé.
<b>Pression de décharge insuffisante</b>	Fuites d'air	Serrez ou remplacez les raccords ou les connexions qui ne sont pas étanches. Ne serrez pas trop.
	Fuites des soupapes	Contactez le centre d'entretien agréé.
	Admission d'air colmatée	Nettoyez ou remplacez le ou les élément(s) du filtre à air.
	Joints éclatés	Contactez le centre d'entretien agréé.
	Usure des segments de piston ou du cylindre	Contactez le centre d'entretien agréé.

## DÉPANNAGE

PROBLÈME	CAUSE POSSIBLE	SOLUTION
<b>Cognement de la pompe</b>	Poulie du moteur ou volant-moteur desserré	Resserrez la poulie et le volant-moteur. Vérifiez l'alignement.
	Niveau d'huile trop bas dans le carter de la pompe	Maintenez le niveau d'huile jusqu'au repère maximum en permanence.
	Excès de calamine sur les soupapes ou sur le haut du piston	Contactez le centre d'entretien agréé.
<b>Huile dans l'air évacué</b>	Usure des segments de piston ou du cylindre	Contactez le centre d'entretien agréé.
	Admission d'air colmatée	Nettoyez ou remplacez le ou les élément(s) du filtre à air.
	Niveau d'huile trop élevé	Ramenez au niveau correct.
<b>Surchauffe</b>	Mauvaise aération	Placez le compresseur dans un endroit frais, sec et bien aéré, à une distance de 30 cm (12 po.) du mur le plus proche.
	Surfaces de refroidissement sales	Nettoyez entièrement toutes les surfaces de refroidissement.
	Passages d'air colmatés	Remplacez les tubes de transfert et/ou le régulateur de pression.
<b>Usure excessive de la courroie</b>	Défaut d'alignement de la poulie	Réalignez la poulie sur le volant-moteur du compresseur.
	Tension de courroie incorrecte	Réajustez.
	Oscillation de la poulie	Remplacez la poulie et vérifiez que le vilebrequin ou le volant-moteur n'est pas endommagé.
<b>Le compresseur ne démarre pas quand i fait froid</b>	Trop de pression de refoulement dans le réservoir	Ouvrez le robinet de purge quand vous mettez en marche le moteur.
	Huile 40W dans le carter-moteur	Huile synthétique mélangée non détergente pour compresseur d'air.
	Le compresseur est trop froid	Placez le compresseur dans un endroit plus chaud.



## DESSIN DES PIÈCES

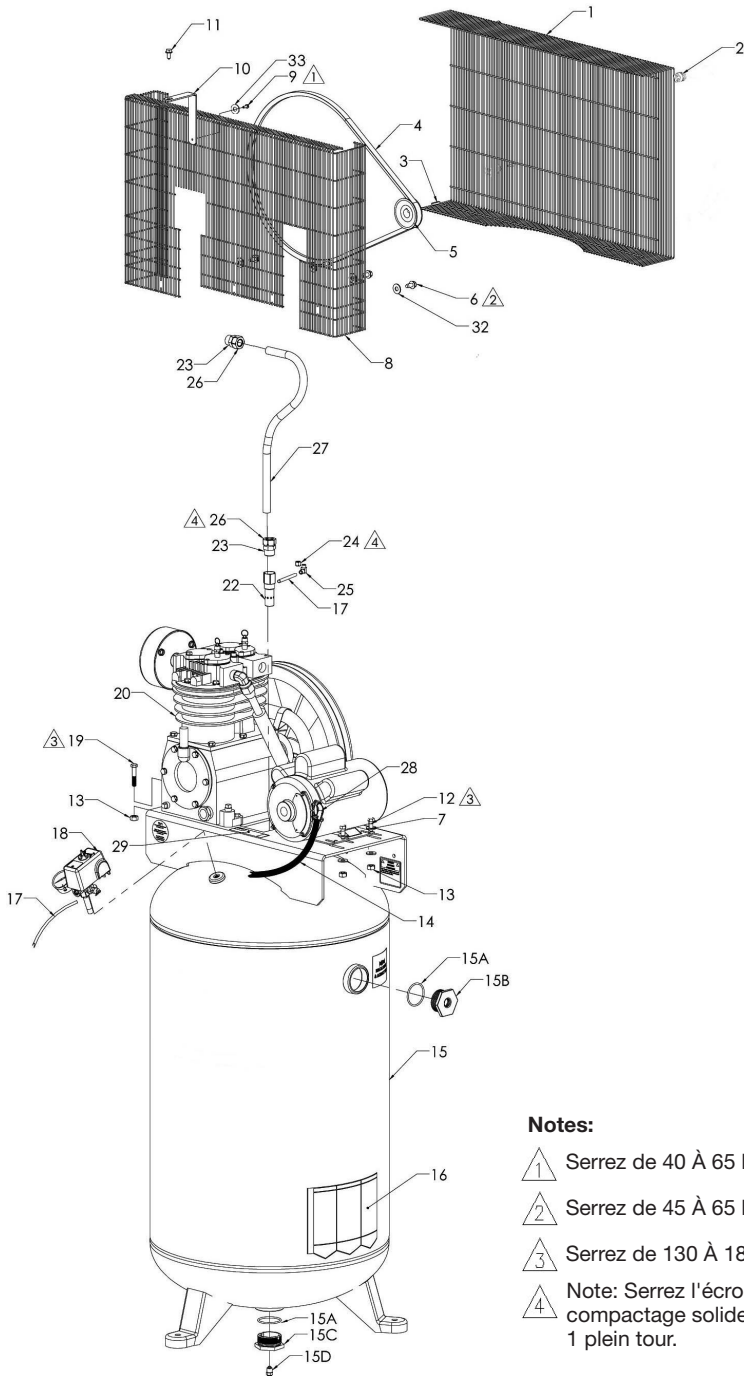


## LISTE DE PIÈCES

Art	N° / P	Qté	Description
1	034-0199	1	Interrupteur (inclut les éléments 3, 5 et 6)
2	136-0007	1	Soupape
3	136-0090	1	Soupape
4	N/A	1	Manchon fileté
5	N/A	1	Vis
6	071-0019	1	Soulagement de traction
7	032-0025	1	Manomètre

\*N/A - Ces pièces sont des pièces standard disponibles en quincaillerie.

# DESSIN DES PIÈCES



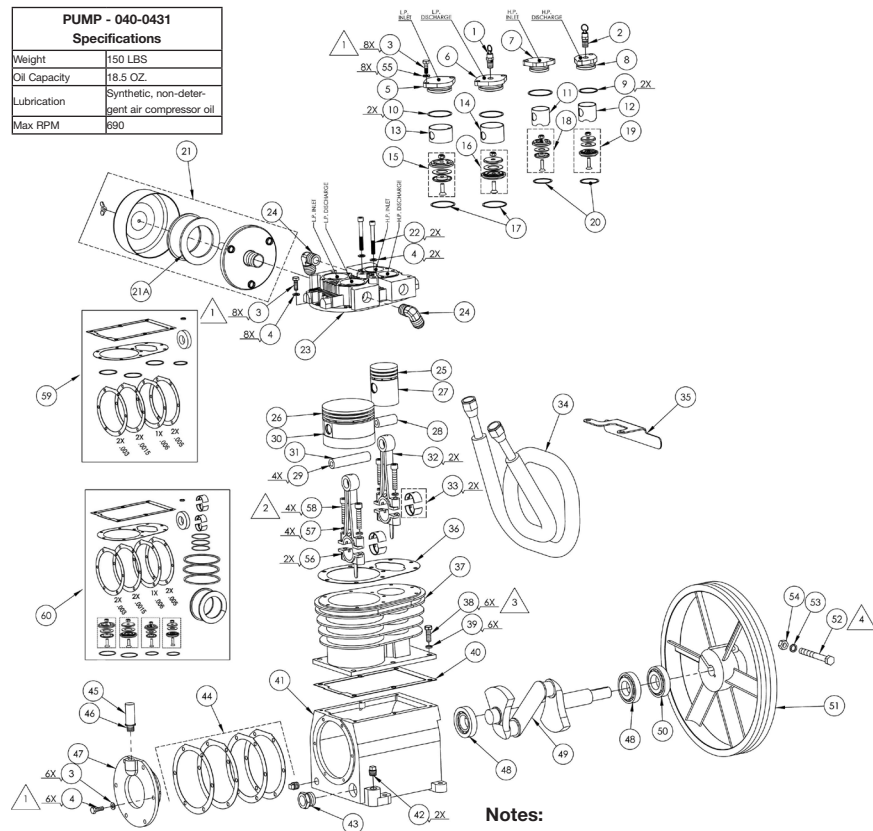
## LISTE DE PIÈCES

Art	N° / P	Qté	Description
1	115-0318	1	Garant de courroie
2	103-0073	4	Attache
3	146-0016	1	Clé
4	008-0051	1	Courroie
5	006-0157	1	Poulie
6	N/A	4	Vis
7	N/A	8	Rondelle
8	125-0178	1	Garant de courroie
9	N/A	1	Vis
10	114-0626	1	Support
11	N/A	1	Boulon
12	N/A	4	Boulon
13	N/A	4	Écrou
14	026-0299	1	Câble
15	021-0257	1	Ensemble du réservoir
15A	513-0001	2	<i>Joint torique</i>
15B	512-0043	1	<i>Bague</i>
15C	512-0041	1	<i>Bague</i>
15D	072-0006	1	Robinet de décompression
16	098-3870	1	D'avertissement étiquette
17	145-0495	1	Tube
18	See page 49	1	Ensemble du interrupteur
19	N/A	4	Boulon
20	See pages 52-53	1	Ensemble du pompe
22a	166-0191	1	<i>Le condensateur de démarrage</i>
22b	166-0193	1	<i>Le couvercle de démarrage du condensateur</i>
22c	166-0192	1	<i>Le condensateur de march</i>
22d	166-0194	1	<i>Le couvercle de marche du condensateur</i>
21	160-0337	1	Moteur
22	031-0020	1	Soupape
23	068-0003	2	Connecteur
24	058-0017	1	Écrou de compression
25	064-0003	1	Coude
26	058-0012	2	Écrou de compression
27	145-0491	1	Tube
28	071-0003	1	Soulagement de traction
29	098-2856	1	D'avertissement étiquette
31	N/A (not shown)	2	Vis d'arrêt
32	N/A	4	Rondelle
33	N/A	1	Rondelle

\*N/A - Ces pièces sont des pièces standard disponibles en quincaillerie.

# DESSIN DES PIÈCES

PUMP - 040-0431	
Specifications	
Weight	150 LBS
Oil Capacity	18.5 OZ.
Lubrication	Synthetic, non-detergent air compressor oil
Max RPM	690



## Notes:

- 1 Serrez de 10 lbs-ft
- 2 Serrez de 25 lbs-ft.
- 3 Serrez de 28 lbs-ft.
- 4 Serrez de 43 lbs-ft.

# LISTE DE PIÈCES

Art	N° / P	Qté	Description
1	136-0007	1	Soupape
2	136-0046	1	Soupape
3	N/A	14	Boulon
4	N/A	17	Rondelle
5	077-0186	1	Couvercle
6	077-0187	1	Couvercle
7	077-0188	1	Couvercle
8	077-0189	1	Couvercle
9	054-0252	2	Bague
10	054-0253	2	Bague
11	019-0241	1	Entretoise, admission
12	019-0242	1	Entretoise, décharge
13	019-0243	1	Entretoise, admission

<b>Art</b>	<b>Nº / P</b>	<b>Qté</b>	<b>Description</b>
14	019-0244	1	Entretoise, décharge
15	043-0209	1	Ensemble de la soupape
16	043-0210	1	Ensemble de la soupape
17	046-0310	2	Rondelle
18	043-0211	1	Ensemble de la soupape
19	043-0212	1	Ensemble de la soupape
20	046-0311	2	Rondelle
21	019-0245	1	Filtre ( <i>inclut les élément 21a</i> )
21a	019-0246	1	Élément
22	N/A	2	Vis
23	042-0122	1	Tête
24	064-0092	2	Coude
25	054-0257	1	Jeu de segment
26	054-0255	1	Jeu de segment
27	048-0122	1	Ensemble du piston
28	052-0040	1	Goupille
29	054-0256	4	Anneau de retenue
30	048-0123	1	Ensemble du piston
31	052-0041	1	Goupille
32	047-0100	2	Tige ( <i>inclut les éléments 33 et 56-58</i> )
33	051-0105	2 pr	Pièce rapportée
34	145-0490	1	Tube
35	114-0625	1	Support
36	046-0312	1	Joint
37	050-0066	1	Cylindre
38	N/A	6	Boulon
39	N/A	6	Rondelle
40	046-0313	1	Joint
41	049-0054	1	Carter
42	N/A	2	Bouchon
43	032-0093	1	Verre de vue de niveau d'huile
44	046-0314	1	Joints
45	056-0080	1	Reniflard ( <i>inclut les élément 46</i> )
46	046-0315	1	Rondelle
47	045-0055	1	Support
48	051-0106	2	Roulement
49	053-0108	1	Vilebrequin
50	046-0316	1	Joint
51	044-0073	1	Volant-moteur
52	N/A	1	Boulon
53	N/A	1	Rondelle
54	N/A	1	Écrou
55	N/A	2	Rondelle
56	Order #32	2	Dipper d'huile
57	N/A	4	Rondelle
58	N/A	4	Boulon

\*N/A - Ces pièces sont des pièces standard disponibles en quincaillerie.

## Available Service Kits

<b>Part No</b>	<b>Description</b>
59	046-0317
60	165-0278
	040-0431

59 046-0317 Joints, jeu complet (*inclut les éléments 40 (1), 36 (1), 17 (2), 20 (2), 44 (1), 46 (1) et 50 (1)*)

60 165-0278 Jeu de pièces de réparation (*inclut les éléments 59 (1), 15 (1) 16 (1), 18 (1), 19 (1), 33 (2pr), 26 (1), 25 (1), et 21A (1)*)

040-0431 Pompe (*inclut les éléments 1-58*)

## GARANTIE LIMITÉE

**Les outils industriels Porter-Cable** sont garantis à partir de la date d'achat.

Garantie limitée de **DEUX (2) ANS** sur tous les compresseurs lubrifiés à l'huile

Garantie limitée **d'UN (1) AN** sur tous les compresseurs sans huile.

Cette garantie n'est pas transférable à une tierce partie.

Porter-Cable réparera ou remplacera, à ses frais, à la discrétion de Porter-Cable, tout défaut pour vice de matière ou de fabrication. Pour toute information complémentaire relative à la couverture de la garantie et aux réparations prises en charge par celle-ci, veuillez appeler le 1-(888)-895-4549 ou vous rendre sur le site portercable.com. Cette garantie ne s'applique pas aux accessoires, ou à tout dommage causé par des réparations effectuées ou tentées par un tiers. Cette garantie ne s'applique pas aux marchandises vendues par PORTER-CABLE qui ont été fabriquées par une autre compagnie, et identifiées comme telles, comme l'essence pour les moteurs. La garantie de son fabricant, si existante, sera alors applicable. **TOUT DOMMAGE, PERTE OU DÉPENSE ACCESSOIRE, INDIRECT OU IMMATÉRIEL POUVANT RÉSULTER DE TOUT DÉFAUT, DÉFAILLANCE OU DYSFONCTIONNEMENT DU PRODUIT N'EST PAS COUVERT PAR CETTE GARANTIE.** Certains états n'autorisent aucune exclusion ou limitation de garantie contre tout préjudice accessoire ou indirect, aussi il se peut que la limitation ou l'exclusion susdite ne vous soit pas applicable. **TOUTE GARANTIE IMPLICITE, Y COMPRIS DE QUALITÉ MARCHANDE OU D'ADÉQUATION DANS UN BUT PARTICULIER, EST LIMITÉE À UN AN À COMPTER DE LA DATE D'ACHAT.**

Certains états n'autorisent aucune limitation quant à la durée de toute garantie implicite, aussi il se peut que l'exclusion susdite ne vous soit pas applicable. Cette garantie confère des droits légaux particuliers à l'acheteur, mais celui-ci pourrait aussi bénéficier d'autres droits variant d'un territoire à l'autre.

**Ce à quoi la Société s'engage :** (la société) s'engage à couvrir les pièces et la main-d'œuvre requises afin de remédier aux défauts importants constatés dans les matériaux ou dans la main-d'œuvre au cours de la première année suivant l'acquisition, sous réserve de ce qui suit. Les pièces utilisées pour la réparation des unités complètes ou des accessoires sont garanties pendant ce qui reste de la période de garantie initiale.

**Qu'est-ce qui n'est pas couvert par cette garantie?** L'incapacité de l'acheteur au détail initial d'installer, d'entretenir et d'exploiter cet équipement conformément aux pratiques industrielles normales. Les modifications apportées au produit ou le bricolage effectué sur ses composants, ou le manquement à se conformer aux recommandations spécifiques de la Société énoncées dans le manuel de l'utilisateur, rendront cette garantie nulle et non avenue. La Société rejette toute responsabilité pour les réparations, remplacements ou ajustements à l'équipement ou pour tous coûts reliés au travail effectués sur l'équipement par l'acheteur sans l'autorisation préalable écrite de la Société. Les effets de la corrosion, de l'érosion, des conditions environnementales ambiantes, des défauts de nature superficielle et les matériaux requis pour la maintenance de routine sont

expressément exclus de cette garantie. Les matériaux requis pour la maintenance de routine tels que l'huile, les lubrifiants et les filtres à air, ainsi que les changements d'huile, de filtres à air, de tension de courroie, etc. font partie de la responsabilité de l'utilisateur. Parmi les exclusions supplémentaires, il faut ajouter les dommages liés au transport, les défaillances liées à la négligence, aux accidents ou à une mauvaise utilisation, les moteurs à induction alimentés par un alternateur, les fuites d'huile, les fuites d'air, la consommation d'huile, les raccords qui fuient, les boyaux, les robinets d'évacuation d'air, les soupapes de purge et les tuyaux de transfert.

- Les composants suivants sont considérés comme des équipements sujets à usure normale et ne sont donc couverts que pendant un an après leur vente : courroies, faisceaux, volants, clapets de non-retour, manostats, déchargeurs à air, manettes d'accélération, moteurs électriques, balais, régulateurs, joints toriques, manomètres, tubes, conduits, raccords, attaches, roues, porte-outils à attache rapide, garnitures, joints d'étanchéité, logements de filtre à air, segments de piston, bielles de liaison et joints de piston.
- Les charges de main-d'œuvre, d'appels de service et de déplacements ne sont pas couvertes au-delà de la première année suivant l'acquisition pour les compresseurs fixes (compresseurs sans poignées et sans roues). Les réparations nécessitant des heures supplémentaires, des taux et tarifs de fin de semaine ou toute autre charge excédant le tarif standard de travail en atelier ne sont pas couvertes.
- Temps requis pour la formation d'orientation afin de permettre au centre de service d'obtenir accès au produit, ou du temps supplémentaire pour cause de sortie inadéquate.
- Les dommages causés par une tension incorrecte, un câblage inapproprié ou l'installation du compresseur par quelqu'un d'autre qu'un électricien professionnel agréé rendront la garantie nulle et non avenue.
- Les dommages causés par un entretien inadéquat du filtre.
- L'usure de la pompe ou l'endommagement d'une valve causé par l'emploi d'un lubrifiant contre-indiqué.
- L'usure de la pompe ou un dommage causé par une contamination d'huile.
- L'usure de la pompe ou l'endommagement d'une valve causé par le non-respect des directives d'entretien correctes.
- L'utilisation sans huile ou avec un niveau d'huile insuffisant.
- Les moteurs à essence, si le produit est équipé d'un tel moteur : se reporter au manuel d'utilisation du moteur pour la couverture de la garantie spécifique du fabricant du moteur.

**Pièces achetées séparément** : la garantie pour les pièces achetées séparément, telles que les pompes, les moteurs, etc. s'applique comme suit :

À compter de la date d'achat

- Toutes les pompes à un étage ou à deux étages 1 an

- Moteurs électriques 90 jours
- Moteur/pompe universel(le) 30 jours
- Toute autre pièce 30 jours
- Aucune autorisation de retour ne sera accordée pour les composants électriques une fois qu'ils sont installés.

**Comment obtenir du service?** Pour prétendre au droit à la réparation selon les termes de cette garantie, vous devez être l'acheteur au détail initial et fournir une preuve d'achat provenant d'un des concessionnaires, distributeurs ou détaillants de Sanborn. Les compresseurs ou composants portatifs doivent être livrés ou expédiés au Centre de réparation agréé de Sanborn le plus proche. Tous les coûts associés de transport et les charges inhérentes doivent être pris en charge par le client. Veuillez appeler le numéro d'appel sans frais 1-888-895-4549 pour obtenir de l'assistance.




CETTE GARANTIE VOUS ACCORDE DES DROITS LÉGAUX SPÉCIFIQUES ET VOUS POUVEZ BÉNÉFICIER D'AUTRES DROITS EN FONCTION DE L'ÉTAT OÙ CELLE-CI S'APPLIQUE.

LA SOCIÉTÉ N'OFFRE AUCUNE AUTRE GARANTIE NI REPRÉSENTATION DE QUELQUE SORTE QUE CE SOIT, EXPRESSE OU IMPLICITE, EXCEPTION FAITE DE LA PROPRIÉTÉ. TOUTES LES GARANTIES IMPLICITES, EN PARTICULIER TOUTE GARANTIE DE COMMERCIALISATION ET D'ADÉQUATION À UN USAGE PARTICULIER, SONT REJETÉES PAR LA PRÉSENTE. TOUTE RESPONSABILITÉ POUR DES DOMMAGES INDIRECTS ET CORRESPONDANT À L'UNE QUELCONQUE DES GARANTIES ET À L'ENSEMBLE DE CELLES-CI, À D'AUTRES CONTRATS, À LA NÉGLIGENCE OU À D'AUTRES DÉLITS CIVILS, EST EXCLUE CONFORMÉMENT AUX CLAUSES D'EXCLUSION DE LA LOI.



# REEMPLACEMENT GRATUIT DES ÉTIQUETTES D'AVERTISSEMENT : si les étiquettes d'avertissement deviennent illisibles ou sont manquantes, composer le (888)-895-4549 pour en obtenir le remplacement gratuit.

<p><b>⚠ WARNING</b> <b>AVERTISSEMENT</b> <b>ADVERTENCIA</b></p>	<p><b>HOT SURFACES:</b> To reduce the risk of burns - Do not touch exposed metal surfaces.</p> <p><b>SURFACES CHAUDES:</b> Pour réduire le risque de brûlures - Ne pas toucher aux surfaces métalliques exposées.</p> <p><b>SUPERFICIES CALIENTES:</b> Para reducir el riesgo de sufrir quemaduras - No tocar las superficies metálicas expuestas.</p>	 <p>098-2054</p>
---	--	---

⚠ WARNING	⚠ AVERTISSEMENT	⚠ ADVERTENCIA
<p>Before starting, read and understand the operator manual for safe operation and maintenance.</p> <p><b>Risk of fire or explosion—</b>Do not spray a flammable liquid in a confined area or towards a hot surface • Spray area must be well ventilated • Do not smoke while spraying or spray where spark or flame is present • Anchor tanks—Keep compressor at least 20 feet away from explosive vapors, such as when spraying with a spray gun</p> <p><b>Risk of electric shock—</b>Do not expose to rain. Store indoors • Use a dedicated circuit. If connected to a circuit protected by a fuse, use time delay (marked D) fuses with this product.</p> <p><b>Risk of bursting—</b>Do not adjust regulator to result in output pressure greater than the marked maximum pressure of attachment. If a regulator has not been installed use only attachments rated at 200 psi or higher • Rust weakens tank, may cause explosion and sever or fatal injury/property damage. Drain condensed water from tank after each use to reduce rusting • Never weld on or repair tank—replace by authorized dealer.</p> <p><b>Risk of injury—</b>Do not direct air stream at body • Disconnect power and drain all air pressure from tank before servicing and after each use • Do not use compressed air for breathing • Wear ANSI Z87 approved eye protection • Do not operate with supplied guards removed</p> <p><b>RISK OF BURSTING</b> Prevent tank corrosion. After each usage, drain all moisture from tank.</p> <p style="text-align: center;">MOISTURE DRAIN</p> <p style="text-align: center;">  </p>	<p>Avant de commencer, prenez le temps de bien comprendre le manuel de l'opérateur pour une utilisation et un entretien sûrs.</p> <p><b>Risque d'incendie ou d'explosion—</b>No pas pulvériser de liquide inflammable dans un endroit confiné ou vers une surface chaude • La zone de pulvérisation doit être correctement ventilée • Ne pas fumer pendant la pulvérisation et ne jamais pulvériser en présence d'étincelles ou de flammes • Fixez de voûte • Installer le compresseur à au moins 6 mètres (20 pi) des vapeurs explosives comme lors de l'application de peinture au pistolet</p> <p><b>Risques de choc électrique—</b>Ne pas exposer à la pluie. Garder à l'intérieur • Utiliser un circuit distinct. Si l'équipement est connecté à un circuit protégé par fusibles, employer des fusibles de marqué D.</p> <p><b>Risque d'explosion—</b>Ne pas régler le régulateur à une pression de sortie supérieure à la pression maximale des accessoires. Si aucun régulateur n'est installé, n'utiliser que des accessoires d'une capacité nominale de 200 psi ou plus • Les réservoirs affaiblis par la rouille peuvent exploser et entraîner la mort ou de graves blessures et provoquer d'importants dommages. Vidanger l'eau de condensation du réservoir après chaque utilisation afin de réduire la corrosion. Ne jamais souder ni réparer le réservoir - faire remplacer celui-ci par un centre de service agréé.</p> <p><b>Risque de blessure—</b>Ne jamais diriger le jet d'air vers le corps • Couper l'alimentation électrique et chasser toute pression d'air du réservoir avant l'entretien et après chaque usage • Ne pas respirer l'air comprimé • Porter des verres protecteurs homologués ANSI Z87 • Ne pas faire fonctionner si les caisses protectrices sont enlevées.</p> <p><b>RISQUE D'ÉCLATEMENT</b> Prévenir la corrosion en drainant toute humidité du réservoir après chaque usage.</p> <p style="text-align: center;">ÉVACUATION D'EAU</p> <p style="text-align: center;">  </p>	<p>Antes de comenzar, lee y entienda el manual del operador para operar y dar mantenimiento a la unidad de manera segura.</p> <p><b>Riesgo de incendio o explosión—</b>No rocíe líquidos inflamables en áreas confinadas ni hacia superficies calientes • El área donde se va a rociar debe estar bien ventilada • No fume mientras rocía, ni rocíe en presencia de chispas o flamas • Pátese que pueden producir arco. Mantenga el compresor al menos a 6 metros (20 pies) de distancia de vapores explosivos, como los que se forman cuando se usa una pistola rociadora</p> <p><b>Riesgo de descarga eléctrica—</b>No exponga a la lluvia. Almacene en el interior • Utilice un circuito dedicado. Si se conecta a un circuito protegido con un fusible, utilice fusibles con retardo (marcado D) con este producto.</p> <p><b>Riesgo de explosión—</b>No ajuste el regulador de manera que la presión de salida sea mayor que la presión máxima marcada del accesorio. Si no se ha instalado un regulador, use solamente accesorios con presión nominal de 200 psi o más • La corrosión debilita el tanque, puede causar una explosión y daños materiales graves o lesiones graves o fatales. Drene el agua condensada del tanque después de cada uso para reducir la corrosión • Nunca soldar ni repare un tanque, reemplácelo en un centro de servicio autorizado.</p> <p><b>Riesgo de lesiones—</b>No dirija la corriente de aire hacia el cuerpo • Desconecte la corriente y libere toda la presión del aire del tanque antes de dar servicio y después de cada uso • No use aire comprimido para respirar • Use protección ocular aprobada según ANSI Z87 • No opere sin los dispositivos de protección proporcionados.</p> <p><b>RIESGO DE EXPLOSION</b> Prevenir la corrosión del tanque. Después de cada uso, drenar toda humedad del tanque.</p> <p style="text-align: center;">DESAGUE DE AGUA</p> <p style="text-align: center;">  </p>

<p><b>⚠ WARNING</b> 098-2054</p>
<p>For supply connection, use wires acceptable for at least 90 °C.</p> <p><b>⚠ AVERTISSEMENT</b> Pour la connexion d'alimentation, utilisez des fils pouvant supporter au moins 90 °C.</p> <p><b>⚠ ADVERTENCIA</b> La conexión del suministro debe efectuarse con cables homologados para una temperatura de 90 °C o mayor.</p>

<p><b>CAUTION</b> <b>ATTENTION</b> <b>PRECAUCION</b></p>
<p>To provide proper cooling the compressor must be kept a minimum of 12" (twelve inches) from the nearest wall or obstruction.</p> <p>Afin d'assurer un refroidissement adéquat, le compresseur doit être situé à au moins 30 cm de tout mur ou obstacle.</p> <p>Para que la compresora tenga el enfriamiento apropiado, debe mantenerse a una distancia mínima de 30 cm de la pared u obstrucción más cercana.</p>
<p>098-3031</p>

## GLOSSAIRE DES TERMES

### **CFM**

Pieds cubes par minute ; une unité de mesure de débit d'air.

### **Bar**

Unité de mesure de pression d'air.

### **Pression d'ouverture**

Point de pression bas réglé en usine qui met en marche le moteur de la pompe pour remettre sous pression l'air dans le réservoir.

### **Pression d'arrêt**

Point de pression haut réglé en usine qui arrête le moteur de la pompe et la hausse de pression dans le réservoir au-delà d'un certain niveau.

### **Bien aéré**

Qualifie un endroit où les gaz d'échappement ou les vapeurs sont remplacés par de l'air frais.

### **Circuit réservé**

Circuit électrique réservé exclusivement au compresseur d'air.

### **ASME**

American Society of Mechanical Engineers (Société américaine des ingénieurs mécaniciens) Indique que les composants sont fabriqués, testés et examinés selon les normes définies par l'ASME.

### **CSA**



#### **L'association canadienne de normes**

Indique que les produits qui font avoir examinée cette inscription avoir été fabriquée, testée et aux normes qui sont fixées par CSA.



#### **L'association canadienne de normes (Etats-Unis)**

Indique que les produits qui font avoir fabriqué cette inscription, testé et examiné aux normes qui sont fixées par CSA. Ces produits se conforment également à la norme 1450 d'c.U.I..

## PIÈCES ET RÉPARATIONS

Pour pièces de rechange et réparations de votre Centre d'Entretien autorisé le plus proche. Au besoin, veuillez contacter le service après-vente (Product Service) au numéro de téléphone ou à droite.

Lorsque vous appelez un Centre d'Entretien ou le service après-vente, veuillez indiquer le numéro de modèle et le numéro de série situé sur la étiquette de série du compresseur. Une preuve d'achat est nécessaire lors de toute transaction et une copie de votre reçu peut être exigée.

Inscrivez la date d'achat au-dessus de, dans les espaces réservé à cet effet. Conservez votre reçu et ce manuel pour référence ultérieure.

Quand vous avez besoin des services de l'usine, s'il vous plaît contactez au centre d'entretien autorisé le plus proche ou composez simplement le :

### SERVICE CLIENTÈ



**Au Canada  
Appel gratuit  
Télécopieur**

**1-888-895-4549  
1-507-723-5013**

Model No.	Serial No.	Date Purchased

Fabriqué aux États – Unis à l'aide de composants de l'intérieur et de l'étranger

© 2012 **Sanborn Mfg.**  
Division of MAT Industries, LLC.  
Springfield, MN 56087

**1-888-895-4549**

Tous droits réservés.

## ⚠️ ADVERTENCIA

Lea y comprenda todas las precauciones de seguridad contenidas en este manual antes de utilizar esta unidad. Si no cumple con las instrucciones de este manual podría ocasionar lesiones personales, daños a la propiedad y/o la anulación de su garantía. El fabricante NO SERÁ responsable de ningún daño por no acatar estas instrucciones.



### 1. RIESGO DE INCENDIO O EXPLOSIÓN. Nunca rocíe líquidos

inflamables en un área confinada. Es normal que el motor y el interruptor de presión produzcan chispas al estar en funcionamiento. Si las chispas entran en contacto con los vapores de la gasolina o con otros disolventes, éstos podrían encenderse, causando un incendio o una explosión. Siempre opere el compresor en un lugar bien ventilado. No fume al rociar. No rocíe donde existan chispas o llama. Mantenga el compresor tan lejos del lugar de rociado como sea posible.



### 2. RIESGO DE EXPLOSIÓN. No suelde, no perforo ni modifique el tanque del aire de este compresor. La soldadura o

las modificaciones en el tanque del compresor de aire podrían deteriorar gravemente la resistencia del tanque y causar una condición extremadamente peligrosa. Soldar o modificar el tanque de cualquier manera anulará la garantía.



### 3. RIESGO DE DESCARGA ELÉCTRICA. Nunca utilice un compresor eléctrico de aire en el exterior cuando esté lloviendo ni lo coloque sobre

una superficie mojada, ya que esto podría causar descargas eléctricas.



### 4. RIESGO DE LESIONES. Esta unidad arranca automáticamente. SIEMPRE apague el compresor, y purgue

toda la presión del sistema antes de realizar el servicio al compresor y cuando el compresor no esté en uso. No utilice la unidad sin las cubiertas o sin el protector de la correa ya que podría sufrir lesiones por el contacto con las piezas móviles.



### 5. RIESGO DE EXPLOSIÓN. Verifique la presión nominal máxima sugerida por el fabricante para las herramientas

y los accesorios neumáticos. La presión de salida del compresor se debe regular de tal manera que nunca se exceda la presión nominal máxima de la herramienta. Antes

de conectar o retirar accesorios, alivie toda presión del tubo.



### 6. RIESGO DE QUEMADURAS.

La bomba y el múltiple producen altas temperaturas. Para prevenir quemaduras u

otro tipo de heridas, NO TOQUE la bomba, el múltiple ni el tubo de transferencia mientras la bomba se está funcionando. Permita que se enfríe antes de manipularlos o realizar el servicio necesario. Mantenga a los niños alejados del compresor en todo momento.



### 7. RIESGO PARA LA RESPIRACIÓN. Asegúrese de leer todas las etiquetas cuando esté rociando pinturas o

materiales tóxicos, y siga las instrucciones de seguridad. Use una careta respiratoria si existe la posibilidad de inhalar algún producto al rociar. Lea todas las instrucciones y asegúrese de que su careta respiratoria le proteja. Nunca inhale directamente el aire comprimido producido por un compresor. No es adecuado para respirar.



### 8. RIESGO DE LESIONES OCULARES. Cuando utilice un compresor de aire siempre use

gafas de seguridad aprobadas según ANSI Z87.1. Nunca dirija la boquilla ni el rociador hacia una persona ni hacia alguna parte del cuerpo. El equipo puede causar una lesión grave si el rocío penetra en la piel.



### 9. RIESGO DE EXPLOSIÓN.

No ajuste la válvula de alivio. En caso contrario, se anularán todas las garantías. La válvula de alivio fue ajustada de fábrica para que la unidad funcione a su presión máxima. Si se altera la válvula podría ocurrir un accidente con lesiones a personas o daños a la propiedad.



### 10. RIESGO DE EXPLOSIÓN.

No use tubería de plástico ni de PVC para el sistema de aire comprimido. Use sólo tubería y conectores de acero galvanizado para las líneas de distribución de aire comprimido.



### 11. RIESGO DE EXPLOSIÓN.

No drenar correctamente el agua condensada del tanque de aire, que provoca óxido y adelgazamiento del tanque de aire

de acero. Drene el tanque diariamente o luego de cada uso. Si un tanque de aire presenta una pérdida, reemplácelo inmediatamente con un tanque nuevo o reemplace todo el compresor.



### 12. RIESGO AL SENTIDO DEL OÍDO.

Siempre use protectores auditivos cuando use un compresor de aire. Si no lo hace podría sufrir pérdida de la audición.



13. El cuerda de la interconexión de este producto contiene plomo, un elemento químico que según el Estado de California puede producir

cáncer y malformaciones de nacimiento u otros problemas de reproducción. **Lávese las manos después de utilizarlo.**

### NOTA: CABLEADO ELECTRICO.

Refiérase al rótulo del número de serie del compresor de aire para conocer los requerimientos de voltaje y amperaje de la unidad.

## PELIGRO



### RIESGO DE EXPLOSIÓN.

Tanque de aire: El 26 de febrero de 2002, la Comisión de Seguridad para Productos de Consumo de los Estados Unidos publicó el Comunicado # 02-108 sobre la seguridad en los tanques de compresores de aire:

Los tanques receptores de los compresores de aire no tienen una vida útil infinita.

La vida útil del tanque depende de diversos factores, incluyendo las condiciones de operación, las condiciones ambientales, la instalación debida del mismo, modificaciones realizadas en el campo y el nivel de mantenimiento que reciba. Es difícil prever cuál será el efecto exacto de estos factores sobre la vida útil del tanque receptor de aire.

Si no se siguen procedimientos de mantenimiento debidos, la corrosión interna de la pared interior del tanque receptor de aire puede causar una ruptura imprevista en el tanque de aire, lo que hará que el aire presurizado escape con fuerza y repentinamente, pudiendo lesionar al usuario.

El tanque de su compresor de aire debe ser dado de baja al final del año que aparece en la etiqueta de advertencia de su tanque.

Las siguientes condiciones pueden llevar a debilitar el tanque de aire y ocasionar la explosión violenta del mismo:

#### ¿QUÉ PUEDE SUCEDER?

- No drenar correctamente el agua condensada del tanque de aire, que provoca óxido y adelgazamiento del tanque de aire de acero.
- Modificaciones o intento de reparación del tanque de aire.
- Las modificaciones no autorizadas de la válvula de seguridad o cualquier otro componente que controle la presión del tanque.

#### CÓMO EVITARLO

- Drene el tanque diariamente o luego de cada uso. Si un tanque de aire presenta una pérdida, reemplácelo inmediatamente con un tanque nuevo o reemplace todo el compresor.
- Nunca perforo, suelde o haga ninguna modificación al tanque de aire o a sus elementos. Nunca intente reparar un tanque de aire dañado o con pérdidas. Reemplácelo con un tanque de aire nuevo.
- El tanque está diseñado para soportar determinadas presiones de operación. Nunca realice ajustes ni sustituya piezas para cambiar las presiones de operación fijadas en la fábrica.

## **ADVERTENCIA**

1. Elimine la humedad del tanque todos los días. Un tanque limpio y seco ayudará a evitar la corrosión.
2. Tire del anillo de la válvula de alivio de la presión todos los días para asegurarse de que la válvula esté funcionando adecuadamente y para eliminar cualquier obstrucción en la válvula.
3. A fin de lograr una ventilación adecuada para el enfriamiento, el compresor debe mantenerse a un mínimo de 31 cm (12 pulgadas) de la pared más cercana, en una zona bien ventilada.
4. Para evitar daños al tanque y al compresor en modelos fijos, se debe calzar el tanque de manera que la base de la bomba quede nivelada dentro de 3 mm (1/8") , a fin de distribuir correctamente el aceite. Se deben apoyar todos las patas, calzando donde sea necesario, antes de fijarlas al piso. Asegure todas las patas en el piso. También se recomienda el uso de calzos antivibratorios (094-0137) debajo de las patas del tanque.
5. Sujete el compresor muy bien si es necesario su transporte. Debe liberarse la presión del tanque antes de su transporte.
6. Proteja la manguera de aire contra daños y pinchaduras. Inspecciónelos todas las semanas para comprobar que no existen zonas débiles o desgastadas, y reemplácelos si fuera necesario.
7. Para reducir el riesgo de choque eléctrico, proteja la unidad de la lluvia. Almacene en el interior.

## **ADVERTENCIA**

**ADVERTENCIA DE LA PROPUESTA DE LEY 65 DE CALIFORNIA:** Este producto contiene sustancias químicas que, consta al Estado de California, producen cáncer, malformaciones congénitas o daños reproductivos.

## **TABLEAU DES SPÉCIFICATIONS**

<b>MODÉLE</b>	<b>RUNNING H.P. (CV)</b>	<b>CAPACIDAD DEL TANQUE (LITROS)</b>	<b>VOLTAJE/ AMP/ FASE</b>	<b>PRESION DE CONEXION</b>	<b>PRESION DE DISCONEXION</b>
PXCMV5248069	5.2	80 (302,8)	240/22/1	145 (9,99 bar)	175 (12,1 bar)

## COMPONENTS BÁSICOS DEL COMPRESOR DE AIRE

Los componentes básicos del compresor de aire son el motor eléctrico, el sistema de protección contra sobrecargas térmicas (TOPS), la bomba y el receptor (tanque). Los receptores pueden ser verticales u horizontales, variando en su tamaño y capacidad.

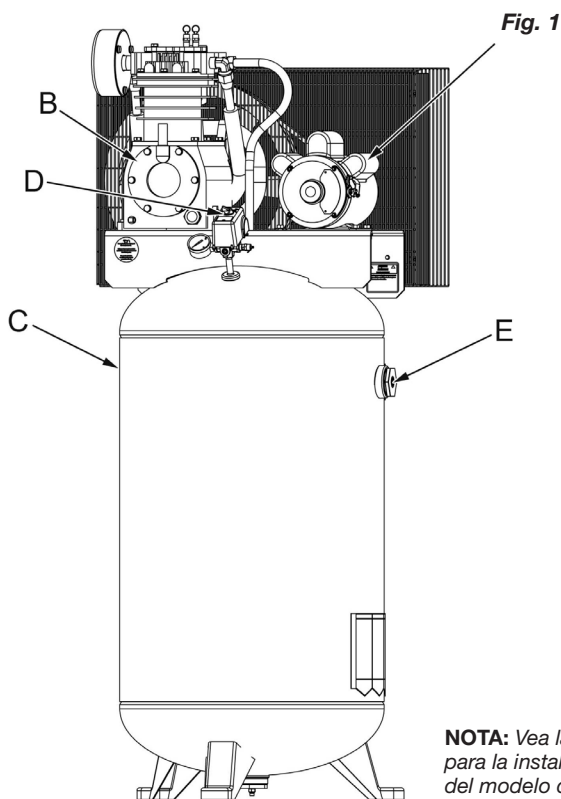
El **motor eléctrico** (vea **A**) acciona la bomba. TOPS detecta tanto temperatura como corriente, proporcionando una protección más completa contra las sobrecargas en el motor que un arrancador electromagnético, el cual sólo detecta la corriente. Si el TOPS detecta una condición de sobrecarga, inmediatamente apaga el compresor. Deje que transcurran unos 10 a 15 minutos para que enfríe la unidad, luego oprima el botón de reposición en el motor para volver a arrancar el compresor.

La **bomba** (vea **B**) comprime el aire y lo descarga hacia el tanque.

El **tanque** (vea **C**) almacena el aire comprimido.

El **interruptor de presión** (vea **D**) apaga el motor y alivia la presión del aire en la bomba y el tubo de transferencia cuando la presión del aire en el tanque alcanza el límite establecido en fábrica. Al ir usándose el aire comprimido y bajar el nivel de presión en el tanque hasta llegar al nivel preestablecido, el interruptor de presión vuelve a arrancar el motor y la bomba continúa comprimiendo el aire.

El **salida de la línea de aire** (vea **E**). Conecte la manguera de aire de 6.35 mm (1/4") NPT en esta salida.



**NOTA:** Vea las páginas 56 y 57 para la instalación típica del modelo de 302,8 litros.

# MONTAJE DEL COMPRESOR

1. Desembale el compresor de aire. Inspeccione la unidad para verificar que no sufrió daños. Si la unidad ha sido dañada durante el transporte, comuníquese con la empresa transportadora y complete una reclamación por daños. Haga esto de inmediato porque existen limitaciones de tiempo respecto a las reclamaciones por daños.

La caja debe contener los elementos siguientes:

- compresor de aire
  - manual del operador y manual de piezas
2. Verifique el rótulo del número de serie del compresor para asegurarse de que haya recibido el modelo que pidió y que el mismo tenga la presión nominal requerida para el uso deseado.
  3. Ubique el compresor de acuerdo con las pautas siguientes:



## ⚠ ADVERTENCIA

**Nunca ubique el bomba en una zona donde haya humos provenientes de líquidos inflamables tales como pinturas, disolventes o gasolina. Es normal que el motor y el interruptor de presión produzcan chispas al estar en operación. Si las chispas entran en contacto con los humos inflamables, podrían encenderse y causar un incendio o una explosión. Siempre opere el compresor en un lugar bien ventilado.**

- a. Para un rendimiento óptimo, coloque el compresor cerca del panel de alimentación, según se especifica en REQUISITOS DE ALIMENTACIÓN ELÉCTRICA, y lo más cerca posible del lugar donde se utilizará el aire. De este modo se garantiza la máxima potencia para el compresor y la máxima presión de aire para la herramienta. *Si no es posible satisfacer ambas condiciones, es preferible situar el compresor cerca del panel de alimentación y utilizar una manguera de aire más larga para llegar a la zona de uso.*
- b. El lado del volante del compresor se debe encontrar como mínimo a 31 cm (12 pulgadas) de cualquier pared u obstáculo, en un área limpia y bien ventilada, a fin de asegurar un flujo del aire y enfriamiento adecuados.
- c. En climas fríos, ubique el compresor en un edificio con calefacción para reducir problemas con la lubricación, el arranque del motor y el congelamiento del agua de condensación.
- d. Coloque el compresor en el suelo o sobre una superficie dura y nivelada. El compresor debe estar nivelado para asegurar una buena lubricación de la bomba del compresor y un buen drenaje del agua condensada en el depósito receptor.

## ⚠ ADVERTENCIA

**Riesgo de lesiones. La paleta de embarque no está diseñada para servir como base para un compresor en funcionamiento. Hacer funcionar el compresor montado sobre la paleta anulará la garantía.**

- e. Para evitar daños al depósito y al compresor, se debe calzar el depósito de manera que la bomba quede nivelada dentro de 3 mm por pie lineal como máximo, a fin de distribuir correctamente el aceite. Sujete los pies del depósito al suelo y NUNCA los fuerce sin antes haber colocado las cuñas, durante el apriete. También se recomienda el uso de calzos antivibratorios (094-0137) debajo de los pies del depósito (C).

4. Conecte una manguera de aire (no incluida) al compresor.

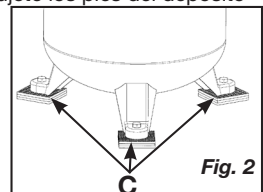
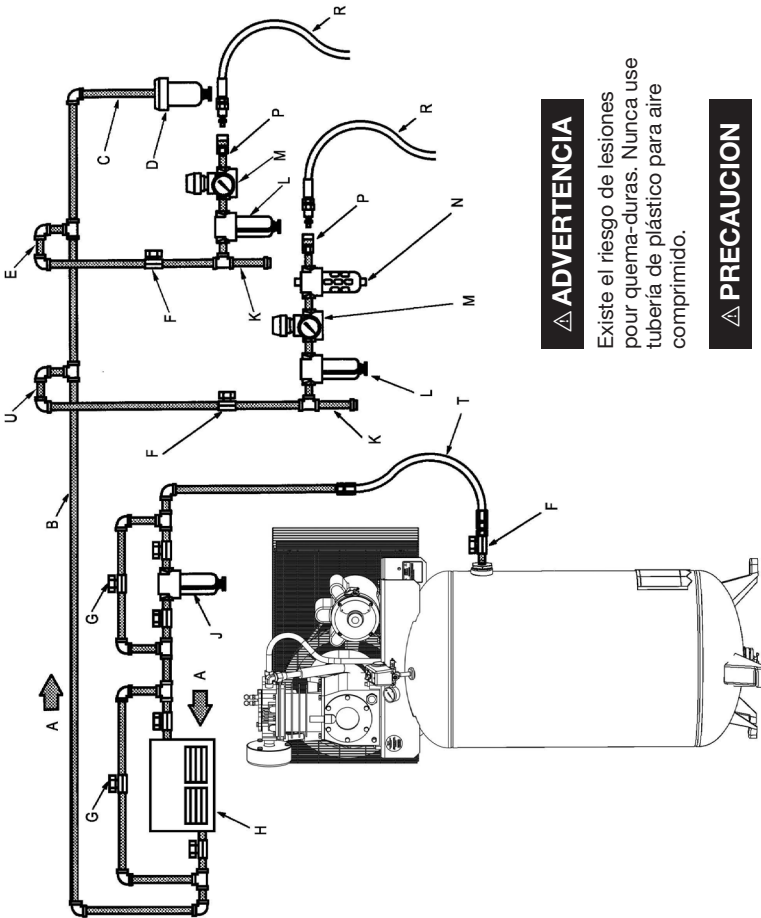


Fig. 2



# INSTALACION TIPICA

- A Flujo del aire
- B Línea de alimentación
- C Ramal de desagote
- D Tapa de humedad con desagüe
- E Línea de suministro no lubricada
- F Válvula de apagada de 6,33 mm de vuelta
- G Derivación
- H Secador de aire y/o post-enfriador
- J Filtro de línea
- K T de goteo con desagüe
- L Filtro de aire/agua con grifo
- M Regulador
- N Lubricador
- P Conexión rápida
- R Manguera de aire hacia herramienta
- T Línea de aire flexible
- U Línea de suministro lubricada



## ⚠ ADVERTENCIA

Existe el riesgo de lesiones por quemaduras. Nunca use tubería de plástico para aire comprimido.

## ⚠ PRECAUCION

Riesgo de daño a la propiedad. Nunca use lubricador para rociar pintura o aplicaciones similares.

## **INSTALACION TIPICA**

### **SECADORES DE AIRE Y POST-ENFRIADORES**

El secador de aire o el radiador de alida se instalan directamente en la línea de aire.

### **ELIMINACIÓN DE LA HUMEDAD Y FILTRACIÓN DEL AIRE**

Al enfriarse el aire, la humedad se condensa en las líneas. Esta humedad debe eliminarse antes de que alcance a la herramienta. Para eliminar esta humedad, dirija la línea principal de aire cuesta abajo a una trampa y desagote. También deben instalarse filtros de aire/agua en las posiciones indicadas.

### **REGULACIÓN DE LA PRESIÓN DEL AIRE**

Instale un regulador de aire en la línea de caída para cada herramienta, a fin de regular la presión de aire hacia dicha herramienta. Nunca debe sobrepasar la presión nominal máxima de la herramienta.

### **LUBRICACIÓN DE AIRE**

Instale un lubricador de aire sólo para aquellas herramientas que requieran lubricación. No utilice un lubricador para rociar pintura o aplicaciones similares. El aceite contaminará la pintura y arruinará el trabajo.

### **VÁLVULAS DE APAGADO**

Instale válvulas de apagado en cada línea de caída, a fin de aislar la herramienta y sus accesorios para su reparación. También puede instalar una línea de derivación alrededor de un accesorio.

## CONTROLES DEL COMPRESOR

Refiera a fig. 3.



### ⚠ ADVERTENCIA

Para su seguridad, la presión del tanque se preestablece dentro del interruptor y Nunca debe manipularse.

#### Interruptor de presión (vea A)

Este interruptor no debe ser ajustado por el operador; el hacer esto anulará la garantía. El interruptor de presión controla el nivel de presión de aire en el receptor apagando y arrancando automáticamente el motor, según sea necesario para mantener el nivel de presión preestablecido en fábrica. También purga el aire de la bomba y los tubos de transferencia al estar desconectada la alimentación, para evitar dificultades en el arranque debido a una contrapresión en la bomba.

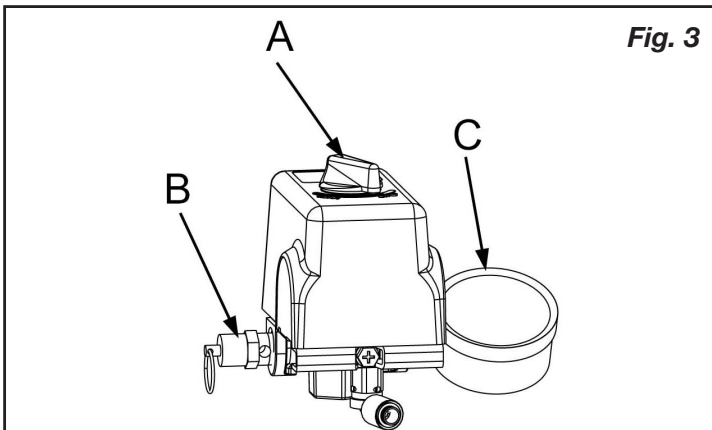
El interruptor de presión descarga también automáticamente la presión del cabezal de la bomba del compresor cuando se apaga el compresor. Esta propiedad elimina la contrapresión en la bomba, asegurando así un arranque más fácil.

#### Válvula de alivio de presión (vea B)

Si el interruptor de presión no apaga el motor cuando la presión alcanza el nivel de desconexión, esta válvula se abrirá automáticamente para evitar una sobrepresión. Para accionarla manualmente, tire del anillo en la válvula de alivio de la presión del aire en el tanque.

#### Manómetro del tanque (vea C)

Este manómetro mide la presión del aire almacenado en el tanque. No es ajustable por el operador y no indica la presión de la línea.



# REQUERIMIENTOS DE ALIMENTACION ELECTRICA

## ⚠ ADVERTENCIA

**Riesgo de choque eléctrico. Una conexión a tierra inadecuada puede ocasionar electrocución. Las conexiones eléctricas deben ser efectuadas por un electricista calificado.**

## CABLEADO ELÉCTRICO

Consulte a la etiqueta del número de serie del compresor de aire para conocer los requisitos de voltaje y amperaje de la unidad. Cerciérese de que todo el cableado lo instala un electricista capacitado, de conformidad con el Código Eléctrico Nacional. Use tubo eléctrico para proteger los cables.

## PANEL PRINCIPAL DE ALIMENTACIÓN

**Para el mejor rendimiento y un arranque fiable, el compresor de aire debe instalarse en un circuito exclusivo, tan cerca como sea posible del panel de alimentación.** Coloque un disyuntor o proteja con fusibles el panel principal de alimentación. Use fusibles de acción retardada en el circuito porque el compresor momentáneamente extraerá varias veces su amperaje especificado al arrancarse.

**NOTA:** Se recomienda un disyuntor. Si el compresor de aire se conecta a un circuito protegido por un fusible, utilice fusibles temporizados de doble elemento (sólo Buss Fusetron tipo "T").

## INTERRUPTOR PRINCIPAL DE ALIMENTACIÓN

Instale un interruptor principal de alimentación en la línea que va desde el panel hacia el compresor. El interruptor debe estar ubicado cerca del compresor, para facilitar el uso y la seguridad. Al estar APAGADO, este interruptor desconectará toda alimentación que llega al compresor. Al encenderlo, el compresor arrancará y se detendrá automáticamente, según las indicaciones del interruptor de presión.

## PROBLEMAS CAUSADOS POR BAJO VOLTAJE

Un voltaje bajo causará dificultades en el arranque o una sobrecarga. El voltaje bajo puede ser causado por un voltaje bajo del suministro de la empresa eléctrica local, por otros equipos que funcionan en la misma línea, o debido a un cableado incorrecto. Si hay algún otro equipo que se está alimentando a partir del circuito del compresor, el propio compresor podría no arrancar.

Un bajo voltaje al compresor puede ser causado por un tamaño de cable demasiado pequeño para la distancia entre el compresor y la fuente de energía. Cuanto más larga es la distancia, tanto mayor deberá ser el diámetro del cable (menor el número) a fin de sobreponerse a la pérdida de voltaje inherente debido a la resistencia del cable. Consulte el Código Eléctrico Nacional para determinar el tamaño correcto del cable para su circuito.

Si el cableado no es adecuado, el voltaje caerá unos 20 a 40 voltios al arrancar. Un voltaje bajo o un circuito sobrecargado puede dar como resultado un arranque lento que hará que salte el disyuntor, especialmente en épocas frías. Utilice fusibles con retardo de tiempo en el circuito porque el compresor momentáneamente extraerá varias veces su amperaje nominal al arrancarse inicialmente.

## INSTRUCCIONES DE PUESTA A TIERRA

Este producto debe conectarse a un sistema permanente de cableado metálico de puesta a tierra o a un terminal o cable de puesta a tierra del producto.

## RESTABLECIMIENTO Y CABLEADO DEL MOTOR

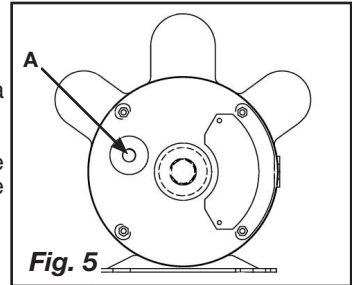
### ⚠ ADVERTENCIA

Asegúrese de que todos los protectores y cubiertas estén colocados en su lugar antes de presionar el interruptor de restablecimiento para volver a arrancar el motor.

TOPS detecta tanto temperatura como corriente, proporcionando una protección más completa contra las sobrecargas en el motor que un arrancador electromagnético, el cual sólo detecta la corriente. Si el TOPS detecta una condición de sobrecarga, inmediatamente apaga el compresor. Deje que transcurran unos 10 a 15 minutos para que enfríe la unidad, luego oprima el botón de reposición en el motor para volver a arrancar el compresor.

Si el motor se apaga debido a una sobrecarga, espere entre 10 y 15 minutos para que el motor pueda enfriarse y luego pulse (NUNCA fuerce) el interruptor de reposición para volver a arrancar el motor.

**Nota:** En los modelos inmóviles no provistos de un cable eléctrico, la corriente eléctrica se debe atar con alambre en el interruptor de presión por un electricista licenciado.



## INSTRUCCIONES OPERATIVAS

### PUESTA EN MARCHA INICIAL DE LA BOMBA (Fig. 6)

**NOTA:** La bomba del compresor se envía con aceite para la puesta en marcha inicial. Se debe cambiar este aceite después de las primeras 8 horas de funcionamiento.

1. Asegúrese de que la energía esté conectada en el panel de alimentación.
2. Compruebe el nivel de aceite de la bomba (ver "Verificación del nivel de aceite" en la sección de Mantenimiento).
3. Abra la válvula de drenaje (vea F).



### ⚠ ADVERTENCIA

El aire y la humedad que escapan del depósito pueden hacer salir desechos susceptibles de provocarle daño en los ojos. Al abrir la válvula de drenaje, lleve puestas gafas de seguridad.

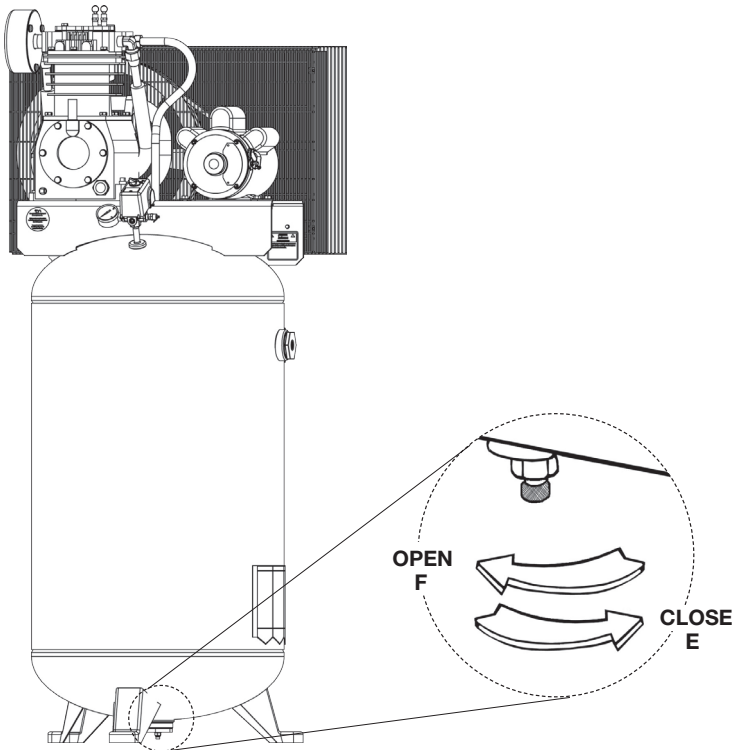
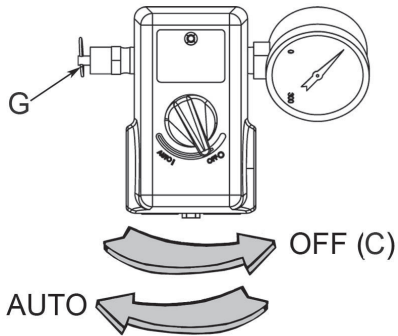
4. Active el interruptor principal de alimentación. Coloque el conmutador de presión en la posición AUTO (vea D). El motor deberá arrancar. Deje funcionar el compresor sin carga durante 30 minutos, para practicar el rodaje de los componentes internos.

**NOTA:** Si la unidad no opera correctamente, APAGUELA INMEDIATAMENTE y póngase en contacto con el Centro de Servicio más cercano o llame al Departamento de Servicio para Clientes, en la fábrica. NO devuelva la unidad a la tienda en la cual fue adquirida.

5. Después de aproximadamente 30 minutos, coloque el conmutador de presión en la posición OFF.

**NOTA:** A medida que se utiliza el aire comprimido, el interruptor de presión reinicia el motor de forma automática para

**Fig. 6**



## INSTRUCCIONES OPERATIVAS

### ARRANQUE DIARIO (Fig. 6)

1. Compruebe el nivel de aceite de la bomba (ver "Verificación del nivel de aceite" en la sección de Mantenimiento).
2. Cerciórese de que el interruptor principal de alimentación esté APAGADO.
3. Cierre la válvula de drenaje (vea E).
4. Ponga el interruptor principal de alimentación en la posición de encendido ON. Coloque el conmutador activado por presión en la posición ENCENDIDO (vea D). La bomba comenzará a llenar el depósito con aire. Cuando la presión del aire alcance el nivel prefijado en fábrica, el interruptor de presión apagará el motor eléctrico. Cuando se utilice aire y descienda el nivel de presión del depósito, el interruptor de presión pondrá en marcha el motor y la bomba comenzará a rellenar el depósito.



#### **⚠ ADVERTENCIA**

**La bomba genera altas temperaturas.**

**Para evitar quemaduras y otras lesiones, NO toque la bomba ni el tubo de transferencia mientras dicha bomba se encuentra en funcionamiento. Permita que se enfríe antes de manipularla o realizar tareas de mantenimiento. Mantenga a los niños alejados del compresor en todo momento.**

**NOTA:** Si la unidad no opera correctamente, APAGUELA INMEDIATAMENTE y póngase en contacto con el Centro de Servicio más cercano o llame al Departamento de Servicio para Clientes, en la fábrica. NO devuelva la unidad a la tienda en la cual fue adquirida.

### ARRANQUE EN EPOCAS DE BAJA TEMPERATURA

En cheque del tiempo frío que el filtro de aire está limpio. Use aceite sintético no-detergente para el compresor de aire.

Abra el grifo (E) para disminuir la presión del compresor hasta cero bar antes de arrancar. Si el compresor no arranca, muévelo a un lugar más caliente.

### PARADA (Fig. 6)

1. Coloque el interruptor de presión en la posición de apagado OFF (vea C).
2. Desactive el interruptor principal de alimentación.
3. Reduzca la presión del depósito a través de la manguera de salida. También puede tirar de la anilla de la válvula de seguridad (ver G) y mantenerla abierta para aliviar la presión del depósito.



#### **⚠ ADVERTENCIA**

**El aire y la humedad que escapan del depósito pueden hacer salir desechos susceptibles de provocarle daños en los ojos. Al abrir la válvula de drenaje, lleve puestas gafas de seguridad.**

4. Abra la válvula de drenaje (vea F) para vaciar la humedad del depósito.

# MANTENIMIENTO

## MANTENIMIENTO

### ⚠ ADVERTENCIA

Para evitar lesiones personales, siempre apague y desenchufe el compresor y alivie toda la presión de aire del sistema antes de realizar algún tipo de servicio en el compresor de aire.

El mantenimiento regular asegurará una operación sin problemas. Su compresor de aire con alimentación eléctrica representa lo mejor en ingeniería y construcción; sin embargo, aún la maquinaria de mejor calidad requiere un mantenimiento periódico. Los elementos enumerados a continuación deben inspeccionarse de manera regular.

### DESAGUE DEL TANQUE (Fig. 6)



#### ⚠ ADVERTENCIA

La condensación se acumulará en el tanque. Para evitar la corrosión del tanque desde el interior, esta humedad debe ser drenada al final de cada día de trabajo.

#### ⚠ ADVERTENCIA

Asegúrese de utilizar protección ocular. Alivie la presión de aire en el sistema y abra la llave de descompresión que se encuentra en el fondo del tanque para drenar.

### VERIFICACION DEL NIVEL DE ACEITE

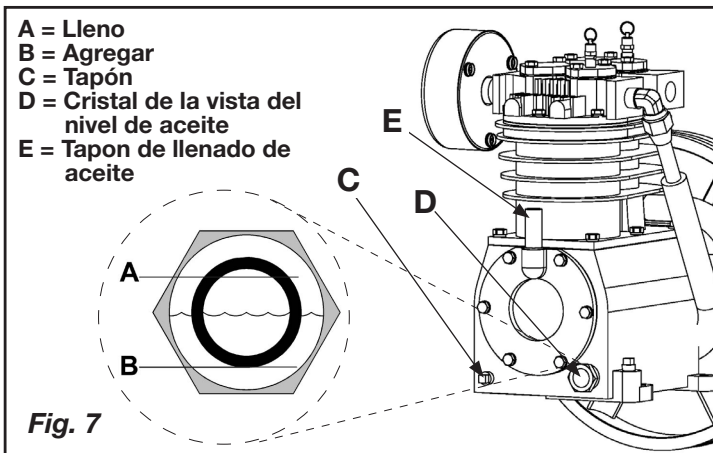
Revise el nivel de aceite en la bomba a través de la mirilla. El nivel de aceite de la bomba debe estar entre A y B (vea la figura7). No llene de manera excesiva o insuficiente.

**NOTA:** Use aceite sintético no-detergente para el compresor de aire.

### CAMBIO DE ACEITE

Quite el tapón de aceite (C) (figura7) y drene el aceite hasta que comience a gotear; luego cierre el tapón. Agregue aceite a la bomba, quitando primero el tapón respirador (E). Agregue aceite hasta que el nivel a través de la mirilla (D) esté entre FULL (A) (lleno) y ADD (B) (añadir). Nunca llene la bomba de manera excesiva o insuficiente.

**NOTA:** El compresor viene de fábrica con aceite sintético. Utilice aceite sintético sin detergente para compresores de aire.





# MANTENIMIENTO

## TENSIÓN DE LA CORREA Y ALINEACIÓN DE LA POLEA

### ⚠ ADVERTENCIA

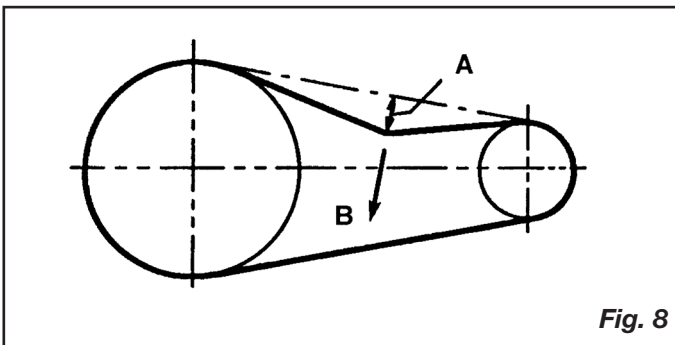
Para evitar lesiones personales, siempre apague y desenchufe el compresor y alivie toda la presión de aire del sistema antes de realizar algún tipo de servicio en el compresor de aire.

**NOTA:** El ajuste de la tensión de la correa de transmisión y la alineación de la p Polea se realizan al mismo tiempo. Se explican por separado para mayor claridad.

## AJUSTE DE LA TENSIÓN DE LA CORREA

Se debe mantenerse la tensión correcta de la correa y la alineación adecuada de la p Polea para obtener una máxima eficiencia de accionamiento y vida útil de la correa. La tensión es correcta si ocurre una deflexión (vea **A**) de 13 mm (1/2") al colocar 2,3 kg (5 lb) de fuerza (vea **B**) en el medio entre la p Polea del motor y el volante del compresor (**Fig. 8**). Esta deflexión puede ajustarse mediante el procedimiento siguiente. La p Polea debe alinearse cuidadosamente con el volante y todos los tornillos de fijación deben mantenerse ajustados.

1. Retire el protector de la correa.
2. Afloje los pernos de montaje del motor.
3. Desplace el motor hasta el punto en el cual exista la deflexión correcta.
4. Vuelva a ajustar los pernos de montaje del motor.
5. Verifique para asegurarse de que la tensión se mantuvo correcta.
6. Vuelva a instalar el protector de la correa. Todas las piezas móviles deben estar protegidas.

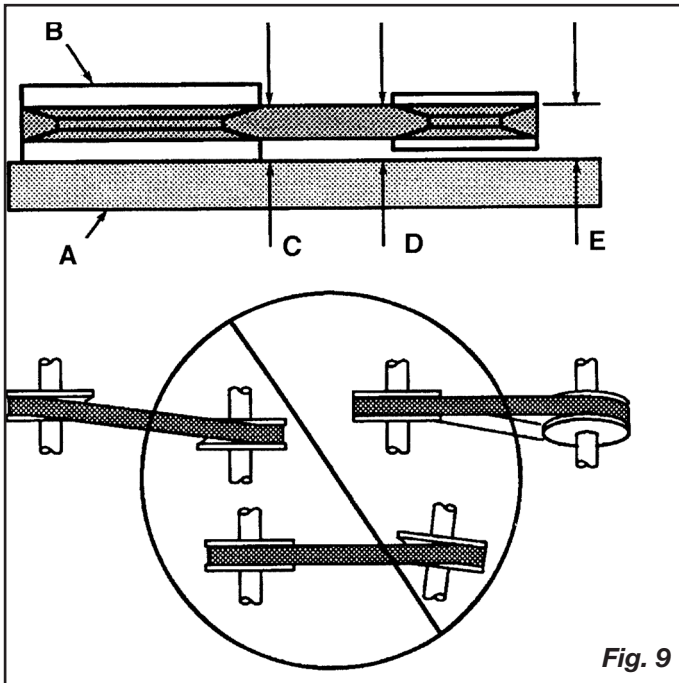


## MANTENIMIENTO

### ALINEACIÓN DE LA POLEA

Para verificar la alineación de la polea, retire el protector de la correa y coloque una regla (vea **A**) contra el volante de la bomba (vea **B**) (**Fig. 9**). Mida y registre la distancia desde la regla al borde de la correa de transmisión en el punto C. Luego mida la distancia desde la regla al borde de la correa de transmisión nuevamente en los puntos D y E. Ambas distancias deben ser iguales a la del punto C. Si D o E resultan distintas de C, existe una mala alineación que debe ser corregida antes de hacer funcionar el compresor. Para corregir una mala alineación de la polea, aplique el procedimiento siguiente.

1. Retire el protector de la correa.
2. Afloje los pernos de montaje del motor.
3. Afloje el tornillo de fijación de la polea del motor.
4. Alinee la polea del motor con el volante de la bomba ( $C = D = E$ ).
5. Vuelva a ajustar el tornillo de fijación de la polea del motor.
6. Ajuste la tensión correcta de la correa.
7. Vuelva a ajustar los pernos de montaje del motor.
8. Vuelva a instalar el protector de la correa. Todas las piezas móviles deben quedar protegidas.

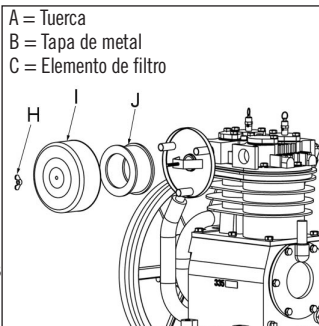


**Fig. 9**

## MANTENIMIENTO

### LIMPIEZA DEL FILTRO DE AIRE

Un filtro de aire sucio reducirá el rendimiento y la vida útil del compresor. Para evitar cualquier contaminación interna de la bomba del compresor, el filtro debe limpiarse frecuentemente y reemplazarse de manera regular. Los filtros de fieltro deben limpiarse en agua jabonosa tibia. No permita que los filtros se llenen de suciedad ni pintura. Si el filtro se llena de pintura, deberá reemplazarse. La exposición directa a condiciones de suciedad y zonas en las que estén pintando anularán su garantía.



### REVISIÓN DE LA VÁLVULA DE ALIVIO

Tire de la válvula de alivio todos los días para asegurarse de que esté operando correctamente y para eliminar cualquier obstrucción posible de la misma.

### DETECCIÓN DE FUGAS

Compruebe que todas las conexiones estén ajustadas. Una pequeña fuga en cualquiera de las mangueras, tubos de transferencia o tubería reducirá de manera substancial el rendimiento de su compresor de aire. Si sospecha la existencia de una fuga, rocíe una pequeña cantidad de agua jabonosa alrededor de la zona con una botella rociadora. Si aparecen burbujas, selle y ajuste nuevamente la conexión. No ajuste demasiado.

### ALMACENAMIENTO

Antes de almacenar el compresor durante períodos prolongados, use un soplete de aire para limpiar todo el polvo y suciedad del compresor. Desconecte el cordón eléctrico, enrollándolo. Tire de la válvula de alivio de la presión para liberar toda la presión del tanque. Elimine toda la humedad del tanque. Limpie los elementos y el alojamiento del filtro; reemplácelos si fuera necesario. Drene el aceite del cárter de la bomba y reemplácelo con aceite nuevo. Cubra toda la unidad para protegerla de la humedad y del polvo.

## INTERVALOS DE SERVICIO

Realice el mantenimiento siguiente a los intervalos indicados a continuación.

**Inspección y limpieza del filtro de aire de entrada..... Semanal**

**Verificación del nivel de aceite en la bomba.....A diario**

**Cambio del aceite de la bomba ..... Cada 200 horas de operación**  
*Use aceite sintético no-detergente para el compresor de aire.*

**Operación de todas las válvulas de alivio de la presión .....A diario**

**Verificación de la tensión de las correas .....Cada 250 horas de operación**

**Drenaje del tanque .....A diario**

**Verificación y ajuste de todos los pernos..Después de las primeras 8 horas (no ajuste demasiado) y cada 500 horas de operación**

## CUADRO DE DETECCIÓN DE FALLOS

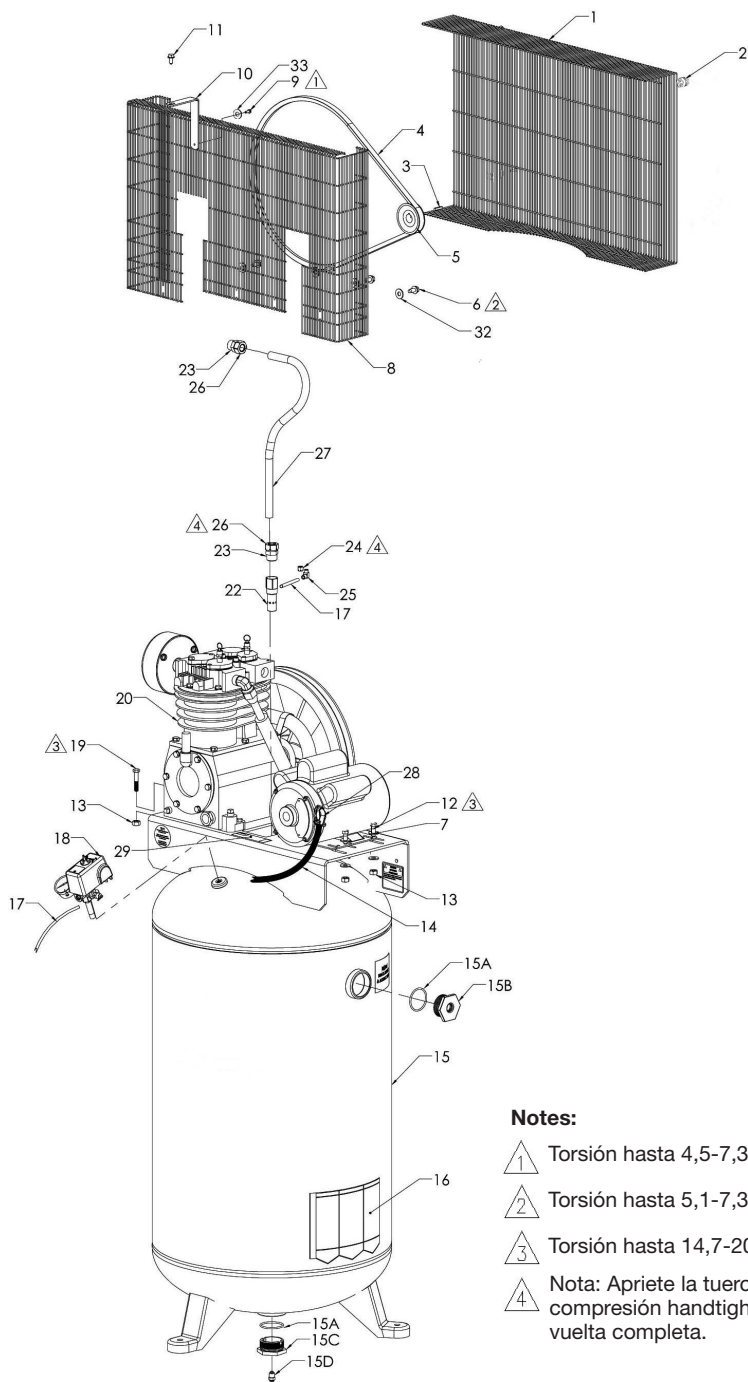
**Nota:** Los problemas de detección de fallos pueden tener causas y soluciones similares.

PROBLEMA	CAUSE POSIBLE	SOLUCIÓN
<b>Consumo excesivo de la corriente hace saltar el cortacircuito o el interruptor de restablecimiento del motor</b>	Volaje bajo/sobrecarga del motor	Verifique que el suministro de energía sea el adecuado y que el compresor se encuentre conectado en un circuito exclusivo. Si el compresor de aire se conecta a un circuito protegido por un fusible, utilice fusibles temporizados de doble elemento (sólo Buss Fusetron tipo "T").
	Correa de transmisión demasiado ajustada	Vuelva a ajustar la tensión de la correa.
	Pasajes de aire restringidos	Inspeccione y reemplace los tubos de transferencia o la válvula de retención, según sea necesario.
<b>Se detiene el compresor</b>	Bajo voltaje al motor	Suministre la energía adecuada.
	Válvula de retención dañada.	Reemplace la válvula de retención.
	Bomba tomada	Póngase en contacto con el centro de servicio autorizado.
<b>Baja presión de descarga</b>	Fugas de aire	Ajuste o reemplace los accesorios o las conexiones con fugas. No a priete demasiado.
	Válvulas con fugas	Póngase en contacto con el centro de servicio autorizado.
	Entrada de aire restringida	Limpie o reemplace los elementos del filtro de aire.
	Juntas salidas	Póngase en contacto con el centro de servicio autorizado.
	Anillos del pistón o cilindro desgastados	Póngase en contacto con el centro de servicio autorizado.

## CUADRO DE DETECCIÓN DE FALLOS

<b>PROBLEMA</b>	<b>CAUSE POSIBLE</b>	<b>SOLUCIÓN</b>
<b>Golpeteo de la bomba del compresor</b>	Polea del motor o volante del compresor suelto	Vuelva a ajustar la polea y el volante. Verifique la alineación.
	Bajo nivel de aceite en el cárter de la bomba	Mantenga el nivel adecuado de aceite en todo momento.
	Demasiado carbón en las válvulas o en la parte superior del pistón	Póngase en contacto con el centro de servicio autorizado.
<b>Aceite en el aire de descarga</b>	Anillos de pistón o cilindros desgastados	Póngase en contacto con el centro de servicio autorizado.
	Entrada de aire restringida	Limpie o reemplace los elementos del filtro.
	Nivel de aceite demasiado alto	Reduzca hasta el nivel adecuado.
<b>Sobrecalentamiento</b>	Mala ventilación	Vuelva a ubicar el compresor en una zona con aire fresco, seco y bien circulado, por lo menos a 30 cm (12") de la pared más cercana.
	Superficies de enfriamiento sucias	Limpie muy bien todas las superficies de enfriamiento.
	Pasajes de aire restringidos	Cambie los tubos de transferencia y/o el descargador.
<b>Desgaste excesivo de la correa</b>	La polea está desalineada	Vuelva a alinear la polea con el volante del compresor.
	Mala tensión de la correa	Vuelva a ajustar..
	La polea se tambalea	Reemplace la polea y verifique si el eje o el volante está dañado.
<b>El compresor no arranca en temperaturas frías</b>	Demasiada contrapresión en el tanque	Abra la llave de descompresión al arrancar el motor.
	Aceite de 40W en el cárter	Utilice aceite sintético SAE 10W-30.
	El compresor está demasiado frío	Mueva el compresor a un lugar más cálido.

# ESQUEMA DE LA PIEZAS



## LISTA DE LAS PIEZAS

Art	Núm / P	Cant	Descripción
1	115-0318	1	Protección de correa
2	103-0073	4	Cierre
3	146-0016	1	Chaveta
4	008-0051	1	Correa
5	006-0157	1	Polea
6	N/A	4	Tornillo
7	N/A	8	Arandela
8	125-0178	1	Protección de correa
9	N/A	1	Manómetro
10	114-0626	1	Soporte
11	N/A	1	Perno
12	N/A	4	Perno
13	N/A	4	Tuerca
14	026-0299	1	Cable
15	021-0257	1	Depósito
15A	513-0001	2	<i>Junta tórica</i>
15B	512-0043	1	<i>Buje</i>
15C	512-0041	1	<i>Buje</i>
15D	072-0006	1	<i>Grifo de purga</i>
16	098-3870	1	Etiqueta de advertencia
17	145-0495	1	Tubo
18	See page 82	1	Conjunto de interruptor
19	N/A	4	Perno
20	See pages 80-81	1	Conjunto de bomba
21	160-0337	1	Motor
21a	166-0191	1	<i>Condensador de arranque</i>
21b	166-0193	1	<i>Tapa de condensador de arranque</i>
21c	166-0192	1	<i>Condensador de funcionamiento</i>
21d	166-0194	1	<i>Tapa del condensador de funcionamiento</i>
22	031-0020	1	Válvula
23	068-0003	2	Conector
24	058-0017	1	Tuerca de compresión
25	064-0003	1	Codo
26	058-0012	2	Tuerca de compresión
27	145-0491	1	Tubo
28	071-0003	1	Alivio de esfuerzo
29	098-2856	1	Etiqueta de advertencia
31	N/A ( <i>not shown</i> )	2	Tornillo fijador
32	N/A	4	Arandela
33	N/A	1	Arandela

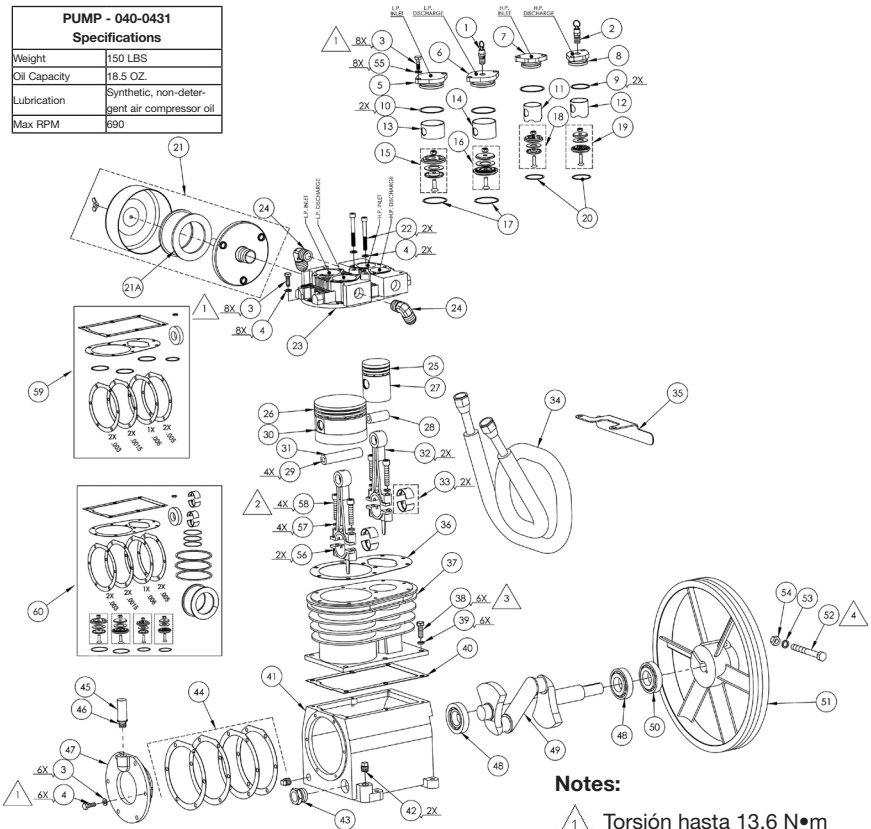
\*N/A - Estas son piezas estándares disponibles en su ferretería local.

# ESQUEMA DE LA PIEZAS

**PUMP - 040-0431**

**Specifications**

Weight	150 LBS
Oil Capacity	18.5 OZ.
Lubrication	Synthetic, non-detergent air compressor oil
Max RPM	690



**Notes:**

- 1 Torsión hasta 13,6 N•m
- 2 Torsión hasta 34,0 N•m
- 3 Torsión hasta 38,0 N•m
- 4 Torsión hasta 58,3 N•m

## LISTE DE PIÈCES

Art	Núm / P	Cant	Descripción
1	136-0007	1	Válvula
2	136-0046	1	Válvula
3	N/A	14	Perno
4	N/A	17	Arandela
5	077-0186	1	Tapa
6	077-0187	1	Tapa
7	077-0188	1	Tapa
8	077-0189	1	Tapa
9	054-0252	2	Junta tórica
10	054-0253	2	Junta tórica
11	019-0241	1	Espaciador, entrada
12	019-0242	1	Espaciador, descarga
13	019-0243	1	Espaciador, entrada



<b>Art</b>	<b>Núm / P</b>	<b>Cant</b>	<b>Descripción</b>
14	019-0244	1	Espaciador, descarga
15	043-0209	1	Conjunto de válvula
16	043-0210	1	Conjunto de válvula
17	046-0310	2	Arandela
18	043-0211	1	Conjunto de válvula
19	043-0212	1	Conjunto de válvula
20	046-0311	2	Arandela
21	019-0245	1	Filtro ( <i>incluye los artículo 21a</i> )
21a	019-0246	1	Elemento
22	N/A	2	Tornillo
23	042-0122	1	Cabeza
24	064-0092	2	Codo
25	054-0257	1	Juego de anillos
26	054-0255	1	Juego de anillos
27	048-0122	1	Pistón
28	052-0040	1	Pasador
29	054-0256	4	Anillo retenedor
30	048-0123	1	Pistón
31	052-0041	1	Pasador
32	047-0100	2	Varilla ( <i>incluye los artículos 33 y 56-58</i> )
33	051-0105	2 pr	Inserción
34	145-0490	1	Tubo
35	114-0625	1	Soporte
36	046-0312	1	Junta
37	050-0066	1	Cilindro
38	N/A	6	Perno
39	N/A	6	Arandela
40	046-0313	1	Junta
41	049-0054	1	Cárter
42	N/A	2	Tapón
43	032-0093	1	Mirilla de nivel
44	046-0314	1	Arandela
45	056-0080	1	Respiradero ( <i>incluye los artículo 46</i> )
46	046-0315	1	Arandela
47	045-0055	1	Soporte
48	051-0106	2	Cojinete
49	053-0108	1	Cigüeñal
50	046-0316	1	Sello
51	044-0073	1	Volante
52	N/A	1	Perno
53	N/A	1	Arandela
54	N/A	1	Tuerca
55	N/A	2	Arandela
56	Order #32	2	Cucharón del aceite
57	N/A	4	Arandela
58	N/A	4	Perno

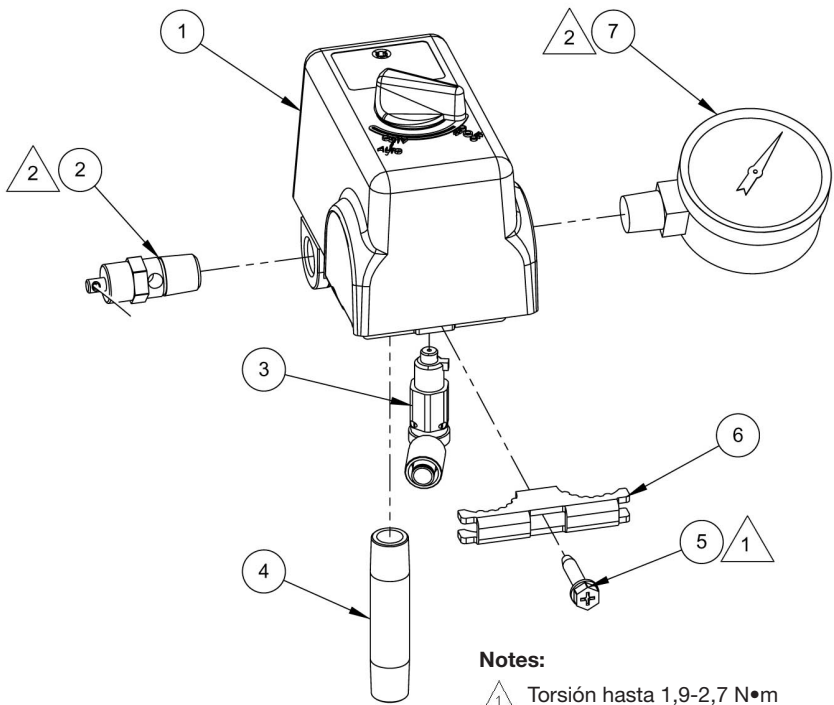
\*N/A - Estas son piezas estándares disponibles en su ferretería local.

## Available Service Kits

<b>Part No</b>	<b>Descripción</b>
59	046-0317
60	165-0278
	040-0431

Juntas, conjunto completo (*incluye los artículos 40 (1), 36 (1), 17 (2), 20 (2), 44 (1), 46 (1) y 50 (1)*)  
 Juego de acondicionamiento (*incluye los artículos 59 (1), 15 (1), 16 (1), 18 (1), 19 (1), 33 (2pr), 26 (1), 25 (1), et 21A (1)*)  
 Bomba (*incluye los artículos 1-58*)

## ESQUEMA DE LA PIEZAS



### Notes:

△1 Torsión hasta 1,9-2,7 N•m

△2 Torsión hasta 14,1-17,0 N•m

## LISTE DE PIÈCES

Art	Núm / P	Cant	Descripción
1	034-0199	1	Manómetro (incluye los artículos 3, 5 y 6)
2	136-0007	1	Válvula
3	136-0090	1	Válvula
4	N/A	1	Niple
5	N/A	1	Tornillo
6	071-0019	1	Aliviador de esfuerzo
7	032-0025	1	Manómetro

\*N/A - Estas son piezas estándares disponibles en su ferretería local.

## GARANTÍA LIMITADA

Las herramientas de **Porter-Cable Industrial Tools** cuentan con garantía desde la fecha de compra.

Garantía limitada de **2 AÑOS** en todos los compresores con lubricación de aceite

Garantía limitada de **1 AÑO** en todos los compresores sin aceite.

Esta garantía no es transferible a los propietarios posteriores.

Porter-Cable reparará o cambiará, sin cargo, a discreción de Porter-Cable, cualquier defecto debido a material o mano de obra defectuosa. Para mayores detalles sobre la cobertura de garantía e información sobre reparaciones bajo garantía, llame al 1-(888)-895 4549 o visite [portercable.com](http://portercable.com). Esta garantía no es aplicable a accesorios o daños provocados por reparaciones realizadas o intentadas por terceros. Esta garantía tampoco aplica a mercancía vendida por PORTER-CABLE que ha sido fabricada por e identificada como el producto de otra compañía, como los motores a gasolina. En el caso, aplicará la garantía del fabricante, si existe. **CUALQUIER PÉRDIDA, DAÑO O GASTO QUE RESULTE INCIDENTAL O INDIRECTAMENTE, O COMO CONSECUENCIA DE ALGÚN DEFECTO, ALGUNA FALLA O AVERÍA DEL PRODUCTO NO ESTÁ CUBIERTO POR ESTA GARANTÍA.** Algunos estados no permiten la exclusión de un límite por daños incidentales o derivados, por lo que el límite o la exclusión anterior puede no aplicar a su caso. **LAS GARANTÍAS IMPLÍCITAS, INCLUYENDO AQUELLAS DE COMERCIABILIDAD O ACONDICIONAMIENTO PARA UN FIN DETERMINADO, ESTÁN LIMITADAS A UN AÑO A CONTAR DE LA FECHA DE COMPRA ORIGINAL.** Algunos estados no permiten límites sobre el plazo de duración de una garantía implícita, por lo que el límite anterior puede no aplicar a su caso. Esta garantía le otorga derechos específicos, además de los cuales puede tener otros dependiendo del estado o provincia en que se encuentre.

**Qué hará la compañía:** (la compañía) cubrirá piezas y mano de obra para corregir defectos importantes en los materiales y en la fabricación durante el primer año de propiedad, con las excepciones que se indican más adelante. Las piezas que se utilizan en la reparación de productos completos o accesorios están garantizadas por el resto del periodo de garantía original.

**¿Qué no cubre esta garantía?** Si el comprador al menudeo original no instala, mantiene y opera dicho equipo de acuerdo con las prácticas industriales estándar. Las modificaciones al producto o alteraciones a los componentes, o el incumplimiento con las recomendaciones específicas de la Compañía que se establecen en el manual del propietario, anularán esta garantía. La Compañía no será responsable de reparaciones, reemplazos o ajustes al equipo, ni de costos de mano de obra realizada por el comprador sin la aprobación previa por escrito de la Compañía. Los efectos de la corrosión, erosión, condiciones ambientales circundantes, defectos cosméticos y elementos de mantenimiento de rutina, se excluyen específicamente de esta garantía. Los elementos de mantenimiento de rutina, como aceite, lubricantes y filtros de aire, así como los cambios de aceite, filtros de aire, tensión de bandas, etc., son responsabilidad del propietario. Otras

exclusiones incluyen: daños durante el flete, fallas originadas por negligencia, accidente o abuso, motores de inducción cuando es operado desde un generador, filtraciones de aceite, fugas de aire, consumo de aceite, acoples con fugas, mangueras, grifos, tubos de purga y tubos de transferencia.

- Los siguientes componentes se consideran artículos de desgaste por el uso normal y no están cubiertos después del primer año de posesión: Correas, roldanas, volantes, válvulas de retención, interruptores de presión, descargadores neumáticos, controles de aceleración, motores eléctricos, escobillas, reguladores, anillos en O, manómetros, tubos, tuberías, acoplamientos, sujetadores, ruedas, acopladores rápidos, empaquetaduras, sellos, carcasas de filtro de aire, anillos de pistón, varillas de conexión y sellos de pistón.
- Los costos de mano de obra, llamadas de servicio y viajes, no están cubiertos después del primer año de propiedad de los compresores estacionarios (compresores sin asas o ruedas). No están cubiertas las reparaciones que requieren horas extraordinarias, tarifas de fin de semana o cualquier otro costo que supere las tarifas por mano de obra estándar del taller.
- Tiempo requerido para la capacitación de orientación con el fin de que el centro de servicio obtenga acceso al producto, o tiempo adicional debido a un egreso inadecuado.
- El daño causado por voltaje incorrecto, cableado inapropiado o el hecho de no hacer que un electricista certificado con licencia instale el compresor, causará la anulación e invalidación de esta garantía.
- Daño causado por un mantenimiento inadecuado del filtro.
- Desgaste de la bomba o daño en la válvula causado por el uso de aceite no especificado.
- Desgaste de la bomba o daño causado por cualquier contaminación del aceite.
- Desgaste de la bomba o daño en la válvula causado por el hecho de no seguir las directrices de mantenimiento apropiadas.
- Utilización con un nivel de aceite por debajo del apropiado o utilización sin aceite.
- Para motores a gas, si el producto está equipado con un motor a gas, consulte en el manual la cobertura de garantía del fabricante para el motor específico.

**Piezas que se compran por separado:** las garantías de las piezas que se compran por separado, como bombas, motores, etc., son las siguientes:

A partir de la fecha de compra


- |  |         |
|--|---------|
| • Todas las bombas de una y dos etapas | 1 año   |
| • Motores eléctricos                   | 90 días |
| • Bomba/motor universal                | 30 días |
| • Todas las otras piezas               | 30 días |



- No se expedirá una autorización de devolución para los componentes eléctricos una vez que estén instalados.

**¿Cómo puede obtener servicio?** Con el fin de ser elegible para obtener servicio bajo esta garantía, debe ser el comprador al menudeo original y proporcionar un comprobante de compra de uno de los concesionarios, distribuidores o tiendas minoristas de Sanborn. Los compresores portátiles o los componentes se deben enviar o entregar en el Centro de Servicio autorizado de Sanborn más cercano. El cliente deberá pagar todos los costos relacionados con el flete y viaje. Para obtener asistencia, llame a nuestro número gratuito, 1-888-895-4549. **ESTA GARANTÍA LE OTORGA DERECHOS LEGALES ESPECÍFICOS, Y ES POSIBLE QUE TAMBIÉN TENGA OTROS DERECHOS QUE VARIAN DE UN ESTADO A OTRO.**

LA COMPAÑÍA NO HACE REPRESENTACIÓN O GARANTÍA ALGUNA, YA SEA EXPRESA O IMPLÍCITA, A EXCEPCIÓN DE LA DEL TÍTULO DE PROPIEDAD. POR LA PRESENTE, LA COMPAÑÍA NO ASUME NINGUNA GARANTÍA IMPLÍCITA, INCLUIDAS LAS GARANTÍAS DE COMERCIABILIDAD Y DE IDONEIDAD PARA UN PROPÓSITO ESPECÍFICO. SE EXCLUYE TODA RESPONSABILIDAD POR DAÑOS Y PERJUICIOS EMERGENTES O INCIDENTALES EN VIRTUD DE CUALQUIER OTRA GARANTÍA, OTROS CONTRATOS, NEGLIGENCIA U OTROS ACTOS DE AGRAVIO EN LA MEDIDA EN QUE LA LEY LO PERMITA.

**REEMPLAZO GRATUITO DE LAS ETIQUETAS DE ADVERTENCIA:** Si sus etiquetas de advertencia se tornan ilegibles o faltan, llame al 1-(888)-895-4549 para que se las reemplacen gratuitamente.

<p><b>WARNING</b> <b>AVERTISSEMENT</b> <b>ADVERTENCIA</b></p> <p>risque de brûlures - Ne pas toucher aux surfaces métalliques exposées. <b>SUPERFICIES CALIENTES:</b> Para reducir el riesgo de sufrir quemaduras - No tocar las superficies metálicas expuestas.</p>	<p><b>HOT SURFACES:</b> To reduce the risk of burns - Do not touch exposed metal surfaces. <b>SURFACES CHAUDES:</b> Pour réduire le risque de brûlures - Ne pas toucher aux surfaces métalliques exposées.</p> 	
---	--	--

<p><b>WARNING</b></p> <p>Before starting, read and understand the operator manual for safe operation and maintenance.</p>	<p><b>AVERTISSEMENT</b></p> <p>Avant de commencer, prenez le temps de bien lire et comprendre le manuel de l'opérateur pour une utilisation et un entretien sûrs.</p>	<p><b>ADVERTENCIA</b></p> <p>Antes de comenzar, lee y entienda el manual del operador para operar y dar mantenimiento a la unidad de manera segura.</p>
<p><b>Risk of fire or explosion—</b>Do not spray a flammable liquid in a confined area or towards a hot surface. • Spray area must be well ventilated. • Do not smoke while spraying or spray where sparks or flames are present. • Arching parts—Keep compressor at least 20 feet away from explosive vapors, such as when spraying with a spray gun.</p>	<p><b>Risque d'incendie ou d'explosion—</b>Ne pas pulvériser de liquide inflammable dans un endroit confiné ou vers une surface chaude. • La zone de pulvérisation doit être correctement ventilée. • Ne pas fumer pendant la pulvérisation et ne jamais pulvériser en présence d'étincelles ou de flammes. • Parties de voûte - Traitez le compresseur à au moins 6 mètres (20 pi) des vapeurs explosives comme lors de l'application de peinture au pistolet.</p>	<p><b>Riesgo de incendio o explosión—</b>No rocíe líquidos inflamables en áreas confinadas ni hacia superficies calientes. • El área donde se va a rociar debe estar bien ventilada. • No fume mientras rocía, ni rocíe en presencia de chispas o llamas. • Partes que pueden producir arco. Mantenga el compresor al menos a 6 metros (20 pies) de distancia de vapores explosivos, como los que se forman cuando se usa una pistola rociadora.</p>
<p><b>Risk of electric shock—</b>Do not expose body to rain. Store indoors. • Use a dedicated circuit. If connected to a circuit protected by a fuse, use time delay (marked D) fuses with this product.</p>	<p><b>Risque de choc électrique—</b>Nes pas exposer à la pluie. Gardez à l'intérieur. • Utilisez un circuit distinct. Si l'équipement est connecté à un circuit protégé par un fusible, employer de fusibles de marque D.</p>	<p><b>Riesgo de descarga eléctrica—</b>No exponga a la lluvia. Almacene en el interior. • Utilice un circuito dedicado. Si se conecta a un circuito protegido con un fusible, utilice fusibles con retardo (marcado D) con este producto.</p>
<p><b>Risk of bursting—</b>Do not adjust regulator to result in output pressure greater than the marked maximum pressure of attachment. If a regulator has not been installed, use only attachments rated at 200 psi or higher. • Rust weakens tank, may cause explosion and severe or fatal injury/property damage. Drain condensed water from tank after each use to reduce rusting. • Never weld on or repair tank—replace by authorized dealer.</p>	<p><b>Risque d'éclatement—</b>Ne pas régler le régulateur à une pression de sortie supérieure à la pression maximale des accessoires. Si aucun régulateur n'est installé, n'utiliser que des accessoires d'une capacité nominale de 200 psi ou plus. • Les réservoirs affaiblis par la rouille peuvent exploser et entraîner la mort ou de graves blessures et provoquer d'importants dommages. Vidanger l'eau de condensation du réservoir après chaque utilisation afin de réduire la corrosion. Ne jamais souder ni réparer le réservoir - faire remplacer celui-ci par un centre de service agréé.</p>	<p><b>Riesgo de explosión—</b>No ajuste el regulador de manera que la presión de salida sea mayor que la presión máxima marcada del accesorio. Si no se ha instalado un regulador, use solamente accesorios con presión nominal de 200 psi o más. • La corrosión debilita el tanque, puede causar una explosión y daños materiales graves o lesiones graves o fatales. Drene el agua condensada del tanque después de cada uso para reducir la corrosión. • Nunca soldes ni repare un tanque, reemplázelo en un centro de servicio autorizado.</p>
<p><b>Risk of injury—</b>Do not direct air stream at body. • Disconnect power and drain air pressure from tank before servicing and after each use. • Do not use compressed air for breathing. • Wear ANSI S37 approved eye protection. • Do not operate with supplied guards removed.</p>	<p><b>RISQUE D'ÉCARTÈLEMENT</b> Prévenir la corrosion et l'humidité du réservoir après chaque usage. <b>ÉVACUATION D'EAU</b></p>	<p><b>RIESGO DE EXPLOSION</b> Prevenir la corrosión y la humedad de cada uso. <b>DESAGUE DE AGUA</b></p>
<p>OPEN</p> 	<p>OUVERT</p> 	<p>ABIERTO</p> 

<p><b>WARNING</b></p> <p>For supply connection, use wires acceptable for at least 90 °C.</p>	<p><b>AVERTISSEMENT</b></p> <p>Pour la connexion d'alimentation, utilisez des fils pouvant supporter au moins 90 °C.</p>
<p><b>ADVERTENCIA</b></p> <p>La conexión del suministro debe efectuarse con cables homologados para una temperatura de 90 °C o mayor.</p>	

<p><b>CAUTION</b> <b>ATTENTION</b> <b>PRECAUCION</b></p>
<p>To provide proper cooling the compressor must be kept a minimum of 12" (twelve inches) from the nearest wall or obstruction.</p>
<p>Afin d'assurer un refroidissement adéquat, le compresseur doit être situé à au moins 30 cm de tout mur ou obstacle.</p>
<p>Para que la compresora tenga el enfriamiento apropiado, debe mantenerse a una distancia mínima de 30 cm de la pared u obstrucción más cercana.</p>

## GLOSARIO DE TERMINOS

### **l/min**

Litros por minuto; una unidad de la medida de flujo de aire.

### **bar**

Es una unidad de medida de la presión del aire.

### **Presión de conexión**

Punto de presión baja fijado en fábrica que arranca el motor de la bomba para volver a presurizar el tanque de aire a una presión más elevada.

### **Presión de desconexión**

Punto de presión alta fijado en fábrica que impide que el motor de la bomba aumente la presión en el tanque por encima de un cierto nivel.

### **Bien ventilado**

Un medio de proveer aire fresco para contrarrestar el escape de gases o los vapores peligrosos.

### **Circuito dedicado**

Un circuito eléctrico reservado para uso exclusivo del compresor de aire.

### **ASME**

American Society of Industrial Engineers.

Indica que los componentes se fabricaron, probaron y examinaron de acuerdo con las especificaciones establecidas por ASME

### **CSA**

#### **La asociación canadiense de los estándares**



Indica que los productos que hacen esta marca haber sido fabricados, haber sido probados y haber examinado a los estándares que son fijados por CSA.



#### **La asociación canadiense de los estándares (los E.E.U.U.)**

Indica que los productos que hacen esta marca haber fabricado, probado y examinado a los estándares que son fijados por CSA. Estos productos también se conforman con el estándar 1450 de U.L..

## PIÈCES ET RÉPARATIONS

Las piezas de repuesto y el servicio están disponibles del Centro de Servicio autorizado más cercano. Consulte con el Servicio al Cliente (Product Service) listado debajo, si surge la necesidad.

Refiérase al número de modelo y el número de serie situado en la etiqueta de serie del compresor, cuando consulte con un Centro de Servicio o el Servicio al Cliente. Se requiere la prueba de compra para todas las transacciones y puede requerirse una copia de su recibo de venta.

En los espacios provisto arriba registre la fecha de compra. Guarde su recibo de venta y este manual para referencia futura.

Cuando necesite servicio por favor de consultar el centro de servicio autorizado más cercano o notificar por correo a:

### Product Service

Sanborn Mfg., Division of MAT Industries, LLC.  
118 West Rock Street  
Springfield, MN 56087

Model No.	Serial No.	Date Purchased

Hecho en EE.UU.con componentes domésticos y extranjeros

© 2012 **Sanborn Mfg.**  
Division of MAT Industries, LLC.  
Springfield, MN 56087

**1-888-895-4549**

Reservados todos los derechos.

The following are PORTER-CABLE trademarks for one or more power tools and accessories: a gray and black color scheme; a ♦ “four point star” design; and three contrasting/outlined longitudinal stripes. The following are also trademarks for one or more PORTER-CABLE and Delta products: Les éléments ci-dessous sont des marques de commerce des outils et des accessoires de PORTER-CABLE : un agencement de couleurs grise et noire; un motif d’ « étoile à quatre pointes » ♦ et trois bandes longitudinales contrastantes/à contours. Les marques suivantes sont également des marques de commerce se rapportant à un ou plusieurs produits PORTER-CABLE ou Delta : Las siguientes son marcas comerciales PORTER-CABLE que distinguen a una o más herramientas y accesorios: un gráfico de color gris y negro; un diseño de ♦ “estrella de cuatro puntas” y tres franjas longitudinales contrastantes/delineadas. Las siguientes también son marcas comerciales para uno o más productos de PORTER-CABLE y Delta: 2 BY 4<sup>®</sup>, 890™, Air America<sup>®</sup>, AIRBOSS™, Auto-Set<sup>®</sup>, B.O.S.S.<sup>®</sup>, Bammer<sup>®</sup>, Biesemeyer<sup>®</sup>, Builders Saw<sup>®</sup>, Charge Air<sup>®</sup>, Charge Air Pro<sup>®</sup>, CONTRACTOR SUPERDUTY<sup>®</sup>, Contractor’s Saw<sup>®</sup>, Delta<sup>®</sup>, DELTA™, Delta Industrial<sup>®</sup>, DELTA MACHINERY & DESIGN™, Delta Shopmaster and Design<sup>®</sup>, Delta X5<sup>®</sup>, Deltacraft<sup>®</sup>, DELTAGRAM<sup>®</sup>, Do It. Feel It.<sup>®</sup>, DUAL LASERLOC AND DESIGN<sup>®</sup>, EASY AIR<sup>®</sup>, EASY AIR TO GO™, ENDURADIAMOND<sup>®</sup>, Ex-Cell<sup>®</sup>, Front Bevel Lock<sup>®</sup>, Get Yours While the Sun Shines<sup>®</sup>, Grip to Fit<sup>®</sup>, GRIPVAC™, GTF<sup>®</sup>, HICKORY WOODWORKING<sup>®</sup>, Homecraft<sup>®</sup>, HP FRAMER HIGH PRESSURE<sup>®</sup>, IMPACT SERIES™, Innovation That Works<sup>®</sup>, Jet-Lock<sup>®</sup>, Job Boss<sup>®</sup>, Kickstand<sup>®</sup>, LASERLOC<sup>®</sup>, LONG-LASTING WORK LIFE<sup>®</sup>, MAX FORCE™, MAX LIFE<sup>®</sup>, Micro-Set<sup>®</sup>, Midi-Lathe<sup>®</sup>, Monsoon<sup>®</sup>, MONSTER-CARBIDE™, Network<sup>®</sup>, OLDHAM<sup>®</sup>, Omnijig<sup>®</sup>, PC EDGE<sup>®</sup>, Performance Crew™, Performance Gear<sup>®</sup>, Pocket Cutter<sup>®</sup>, Porta-Band<sup>®</sup>, Porta-Plane<sup>®</sup>, Porter Cable<sup>®</sup>, PORTER-CABLE Professional Power Tools<sup>®</sup>, Powerback<sup>®</sup>, POZI-STOP™, Pressure Wave<sup>®</sup>, PRO 4000<sup>®</sup>, Proair<sup>®</sup>, Quicksand and Design<sup>®</sup>, Quickset II<sup>®</sup>, QUIET DRIVE TECHNOLOGY™, QUIET DRIVE TECHNOLOGY AND DESIGN™, Quik-Change<sup>®</sup>, QUIK-TILT<sup>®</sup>, RAPID-RELEASE™, RAZOR<sup>®</sup>, Redefining Performance<sup>®</sup>, Riptide<sup>®</sup>, Safe Guard II<sup>®</sup>, Sand Trap and Design<sup>®</sup>, Sanding Center<sup>®</sup>, Saw Boss<sup>®</sup>, Shop Boss<sup>®</sup>, Sidekick<sup>®</sup>, Site Boss<sup>®</sup>, Speed-Bloc<sup>®</sup>, Speedmatic<sup>®</sup>, Stair Ease<sup>®</sup>, Steel Driver Series<sup>®</sup>, SUPERDUTY<sup>®</sup>, T4 & DESIGN<sup>®</sup>, THE AMERICAN WOODSHOP<sup>®</sup>, THE PROFESSIONAL EDGE<sup>®</sup>, Thin-Line<sup>®</sup>, Tiger Saw<sup>®</sup>, TIGERCLAW<sup>®</sup>, TIGERCLAW AND DESIGN<sup>®</sup>, Torq-Buster<sup>®</sup>, TRU-MATCH<sup>®</sup>, T-Square<sup>®</sup>, Twinlaser<sup>®</sup>, Unifence<sup>®</sup>, Uniguard<sup>®</sup>, UNIRIP<sup>®</sup>, UNISAW<sup>®</sup>, UNITED STATES SAW<sup>®</sup>, Veri-Set<sup>®</sup>, Versa-Feeder<sup>®</sup>, VIPER<sup>®</sup>, VT™, VT RAZOR™, Water Driver<sup>®</sup>, WATER VROOM<sup>®</sup>, Waveform<sup>®</sup>, Whisper Series<sup>®</sup>, X5<sup>®</sup>, YOUR ACHIEVEMENT. OUR TOOLS.<sup>®</sup>

Trademarks noted with ® are registered in the United States Patent and Trademark Office and may also be registered in other countries. Other trademarks may apply. Les marques de commerce suivies du symbole ® sont enregistrées auprès du United States Patent and Trademark Office et peuvent être enregistrées dans d’autres pays. D’autres marques de commerce peuvent également être applicables. Las marcas comerciales con el símbolo ® están registradas en la Oficina de patentes y marcas comerciales de Estados Unidos (United States Patent and Trademark Office), y también pueden estar registradas en otros países. Posiblemente se apliquen otras marcas comerciales registradas.

**PORTER♦CABLE<sup>®</sup>**

(888) 895-4549