

# DEWALT®



**Instruction Manual  
Guide D'utilisation  
Manual de instrucciones**

**52051**

**Sniper Powder-Actuated Overhead Tool  
Pistolet de scellement à poudre pour fixations au plafond  
Herramienta Superior de Pólvora de Francotirador**

**WWW.DEWALT.COM**

**If you have questions or comments, contact us.  
Pour toute question ou tout commentaire, nous contacter.  
Si tiene dudas o comentarios, contáctenos.**

**1-800-4-DEWALT**

---

English (***original instructions***)

1

---

Français (*traduction de la notice d'instructions originale*)

15

---

Español (*traducido de las instrucciones originales*)

30

---

## Definitions: Safety Alert Symbols and Words

This instruction manual uses the following safety alert symbols and words to alert you to hazardous situations and your risk of personal injury or property damage.



**DANGER:** Indicates an imminently hazardous situation which, if not avoided, **will** result in **death or serious injury**.



**WARNING:** Indicates a potentially hazardous situation which, if not avoided, **could** result in **death or serious injury**.



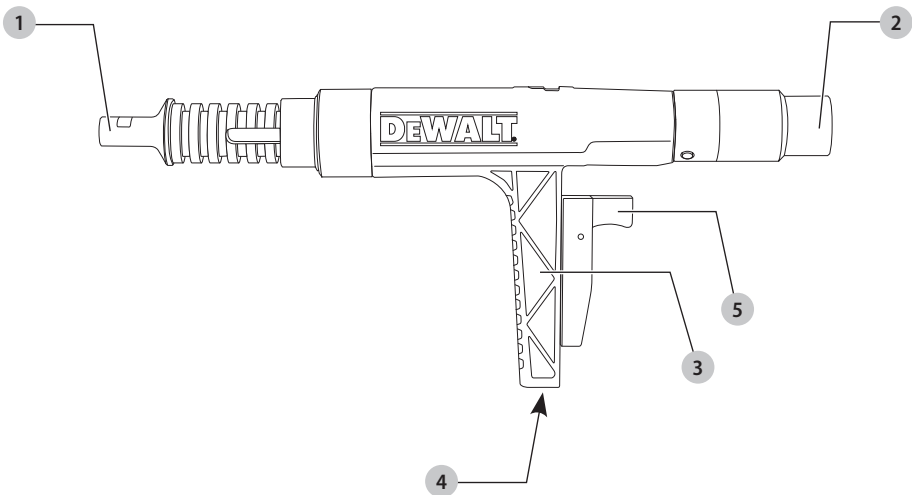
**CAUTION:** Indicates a potentially hazardous situation which, if not avoided, **may** result in **minor or moderate injury**.



(Used without word) Indicates a safety related message.

**NOTICE:** Indicates a practice **not related to personal injury** which, if not avoided, **may** result in **property damage**.

Fig. A



- 1 Muzzle
- 2 Safety switch
- 3 Handle
- 4 Powder strip guideway
- 5 Load strip advancement lever



**WARNING: Read all safety warnings and all instructions.** Failure to follow the warnings and instructions may result in electric shock, fire and/or serious injury.



**WARNING:** To reduce the risk of injury, read the instruction manual.

If you have any questions or comments about this or any product, call DEWALT toll free at: (1-800-433-9258).

## Sniper Powder-Actuated Overhead Tool 52051

### GENERAL POWDER-ACTUATED TOOL

#### SAFETY WARNINGS



**WARNING!** Read all safety warnings and all instructions. Failure to follow the warnings and instructions may result in serious injury.

#### SAVE ALL WARNINGS AND INSTRUCTIONS FOR FUTURE REFERENCE

#### 1) Work Area Safety

- a) **Keep work area clean and well lit.** Cluttered or dark areas invite accidents.
- b) **Do not operate powder-actuated tools in explosive atmospheres, such as in the presence of flammable liquids, gases or dust.** Powder-actuated tools create sparks which may ignite the dust or fumes.
- c) **Keep children and bystanders away while operating a powder-actuated tool.** Distractions can cause you to lose control.

#### 2) Personal Safety

- a) **Stay alert, watch what you are doing and use common sense when operating a powder-actuated tool. Do not use a powder-actuated tool while you are tired or under the influence of drugs, alcohol or medication.** A moment of inattention while operating powder-actuated tools may result in serious personal injury.
- b) **Use personal protective equipment. Always wear eye protection.** Protective equipment such as dust mask, non-skid safety shoes, hard hat, or hearing protection used for appropriate conditions will reduce personal injuries.
- c) **Prevent unintentional actuation. Ensure that the tool is not depressed or stuck before inserting fasteners or installing powder loads.**
- d) **Remove any tools used for adjustments or maintenance before using the powder-actuated tool.** A wrench or a key left attached to a powder-actuated tool may result in personal injury.
- e) **Do not overreach. Keep proper footing and balance at all times. Always be sure your body is well braced and stable before actuating the powder-actuated tool.** This enables better control of the powder-actuated tool in unexpected situations.
- f) **Dress properly. Do not wear loose clothing or jewelry. Keep your hair, clothing and gloves away from moving parts.** Loose clothes, jewelry or long hair can be caught in moving parts.

#### 3) Powder-Actuated Tool Use and Care

- a) **Do not force the powder-actuated tool. Use the correct powder-actuated tool for your application.** The correct powder-actuated tool will do the job better and safer at the rate for which it was designed.
- b) **Never exceed 700 fasteners/hour.** The tool will become hot, potentially exposing the user to minor or serious burns and can lead the tool to jam.
- c) **Do not use the powder-actuated tool if the tool cannot be depressed.** Any powder-actuated tool that cannot be controlled is dangerous and must be repaired.
- d) **Remove the powder loads and fasteners from the powder-actuated tool before making any adjustments, changing accessories, transporting, or storing the tools.** Such preventive safety measures reduce the risk of the powder-actuated tool accidental actuation.
- e) **Store idle powder-actuated tools out of the reach of children and do not allow persons unfamiliar with the powder-actuated tool or these instructions to operate the powder-actuated tool.** Powder-actuated tools are dangerous in the hands of untrained users.
- f) **Maintain powder-actuated tools. Check for misalignment or binding of moving parts, breakage of parts and any other condition that may affect the powder-actuated tool's operation. If damaged, have the powder-actuated tool repaired before use.** Properly maintaining the powder actuated tool can help avoid an accident which can potentially cause an injury.
- g) **Use the powder-actuated tool, and accessories and tool bits, etc. in accordance with these instructions, taking into account the working conditions and the work to be performed.** Use of the powder-actuated tool for operations different from those intended could result in a hazardous situation.

#### 4) Service

- a) **Have your powder-actuated tool serviced by a qualified repair person using only identical replacement parts.** This will ensure that the safety of the powder-actuated tool is maintained.

### Additional Safety Rules for Powder-Actuated Fastening Tools



**WARNING:** Prior to operating the tool, study this manual carefully and develop a thorough understanding of the contents. Proper training according to the current ANSI standard A 10.3, Safety requirements for powder-actuated fastening systems

must be completed and a DeWALT qualified operator card must be obtained prior to operation of the tool. State, local, or other regulations should also be followed. Laws, regulations, and standards regarding the use of powder-actuated tools may periodically be revised. Any such revisions may change the safety and operating procedures described in this manual. DeWALT is not responsible for any such revisions which occur after publication of this manual. It is the responsibility of the user to maintain familiarity with the current laws, regulations, and standards that apply to the powder-actuated tool.



**DANGER:** To avoid serious injury or death:

- Never close tool with any part of hand over muzzle end.
- Operators and bystanders must wear eye and hearing protection.
- Always assume tool is loaded. Do not advance the load strip by compressing the load strip advancement lever of loaded tool until muzzle end is against work surface and you are ready to make a fastening. Never place your hand over the muzzle with a powder load in the tool. If the tool accidentally discharges, the piston or fastener may penetrate your hand resulting in serious injury.
- It is very important that the operator of this tool completely reads and understands the entire tool manual and completes the **Qualified Tool Operator Examination** on the last two pages of this user manual. The warranty will not be valid until the test is received, with a copy of your receipt, and reviewed by DeWALT. Additional examination forms can be obtained by calling 1-800-4-DEWALT (1-800-433-9258) or download a new user manual by visiting [www.dewalt.com](http://www.dewalt.com).

## Prior to Operating the Tool

- A sign, at least 8 inches by 10 inches (20 cm x 25 cm), using boldface type that is not less than 1 inch (2.5 cm) in height, shall be posted in plain sight where powder-actuated tools are used. A sign shall be posted in the area of tool use and in areas adjacent to tool use where wall, floor or working surface penetration may pose a hazard. At a minimum, the sign should bear wording similar to the following:

### **WARNING: POWDER-ACTUATED TOOL IN USE**

- **Approved safety goggles should always be worn by operator or bystander, to protect their eyes from flying particles.** Hearing protection should always be worn by the operator and bystanders when using a powder-actuated tool. Other personal safety protection as required should also be used.

- **Never modify or fabricate parts for use in your DeWALT tool.** Use only DeWALT fasteners, loads, and tool parts.
- **Hands or other body parts must never be placed in front of muzzle/barrel.** Accidental discharge can cause piston and/or fastener to pass through the operator's hand.
- **Never compress the tool against any part of the body.** Serious injury or death may result in the event of an accidental discharge.
- **Always point tool in a safe direction at all times.**
- **Use the tool for its intended purpose only.**

## Preparation for Loading the Tool

- **Tools must be checked prior to operating to make sure they are not fully or partially loaded with a powder load or fastener.**
- **Actuating the tool with two fasteners loaded in the barrel will cause serious personal injuries.**
- **To insure safe operation, perform the daily function test described in this manual.** Be sure the tool is not loaded prior to performing this test.
- **Do not operate this tool unless all its parts are in place and operating appropriately.** Never attempt to use a malfunctioning tool. Call 1-800-4-DEWALT for assistance.
- **Never guess about the suitability of a base material.** If you are uncertain about the suitability of a base material, perform a center punch test.
- **Do not operate the tool until you learn and understand the color code/numbering system used to identify the power level of powder loads.**

## Operating the Tool

- **Only use fasteners and powder loads designed for this tool as supplied by DeWALT.**
- **Do not use powder-actuated tools in a flammable or an explosive atmosphere.**
- **Do not fire a tool without a fastener.** The piston will impact the work surface possibly causing serious injury to the operator or bystanders along with damage to the tool.
- **Do not load the tool until you are ready to make a fastening.** Check the power load level before inserting it into the tool chamber.
- **Fastener must be loaded prior to loading the powder load, to prevent injury to operator or bystander in the event of an accidental discharge.**
- **Hold the tool perpendicular to the work surface at all times.** Use a spill guard wherever possible. This will limit the possibility of fastener ricochet which could cause serious injury or death to the operator or bystanders.
- **Always perform a test fastening with the lightest load level, and set to the lightest power level designed for use in the tool.** If the lightest load fails to set the fastener, try the next highest load until the proper level is attained. Failure to follow this procedure may cause the fastener to be overpowered. If this occurs, the

## ENGLISH

fastener may fully penetrate the base material causing serious injury or death to someone. Overpowering the fastener can also damage the tool, creating a safety hazard to both the operator or bystanders.

- **Do not fasten into cast iron, tile, glass, or other types of brittle materials.** These materials can shatter and create sharp fragments which may cause injury.
- **Do not fire tool within 3" (76 mm) of the edge of a concrete base material or within 1/2" (13 mm) of the edge of a steel base material.**
- **Do not attempt to install a fastener closer than 3" (76 mm) to another previously inserted fastener in concrete or 1-1/2" (38 mm) in steel.**
- **Do not fasten into a concrete base material less than 3 times as thick as the fastener penetration or into a steel base material thinner than 1/8" (3 mm).**
- **Never attempt to install a fastener in a cracked or spalled area in concrete.** Place fastener at least 3" (76 mm) away from a spalled area to prevent the possibility of the fastener bending and striking an operator or bystander.
- **Do not attempt to install fasteners in areas that have been welded or cut with a torch as these procedures may have caused local hardening of the steel.**
- **Do not fasten through a predrilled hole unless proper guidance is provided.**
- **If you decide not to make a fastening after the tool has been loaded, you must always remove the powder load first followed by the fastener.**
- **Never attempt to override the safety features of this tool.**
- **Always keep the handle dry, and free of oil or grease.**
- **Always check for electrical wiring behind the surface into which you are driving a fastener before actuating the tool.**
- **The tool can only be used overhead and must be used with a DEWALT Sniper pole tool.**

## Handling the Tool and Powder Loads

- **Never leave a loaded tool or the powder loads unattended.** Once the tool is loaded, make the fastening immediately or unload the tool.
- **Always unload the tool before work breaks, changing parts, cleaning or servicing, and when storing.**
- **To prevent accidental discharge of loads, never carry the powder loads in the same container as the fasteners or other hard objects.**
- **Always store the powder loads in the containers provided or in an enclosure provided for them.** Never intermix the various power levels. Keep them segregated in clearly identified containers.
- **Powder loads should never be used in firearms.** They are normally more powerful than the cartridges supplied with the firearms.

- **Powder-actuated tools and powder loads should always be stored under lock and key.** Tools must be unloaded when not in use.
- **Store the instruction manual, maintenance tools and accessories supplied with the nailer in the case.**

## Tool Malfunction

- **In the event that a load fails to discharge after the tool is depressed, the tool must be kept depressed against the work surface for a minimum of 30 seconds in case of a delayed load discharge.** Then carefully remove the entire load strip and dispose of it in a can of water or other nonflammable liquid. Never attempt to force or pry a load out of a tool chamber.
- **Never discard unfired powder loads into a trash container.**
- **Do not attempt to unload or disassemble a jammed, stuck or broken tool as improper handling may cause it to discharge and strike operator and/or bystander.** A jammed tool must be pointed in a safe direction at all times. Tag the tool and lock it up. Call your DEWALT representative for proper assistance.

## Additional Safety Information



**WARNING:** Never modify the power tool or any part of it. Damage or personal injury could result.



**WARNING: ALWAYS use safety glasses.** Everyday eyeglasses are NOT safety glasses. Also use face or dust mask if operation is dusty. ALWAYS WEAR CERTIFIED SAFETY EQUIPMENT:

- ANSI Z87.1 eye protection (CAN/CSA Z94.3),
- ANSI S12.6 (S3.19) hearing protection,
- NIOSH/OSHA/MSHA respiratory protection.



**WARNING:** Some dust created by power sanding, sawing, grinding, drilling, and other construction activities contains chemicals known to the State of California to cause cancer, birth defects or other reproductive harm. Some examples of these chemicals are:

- lead from lead-based paints,
- crystalline silica from bricks and cement and other masonry products, and
- arsenic and chromium from chemically-treated lumber.

Your risk from these exposures varies, depending on how often you do this type of work. To reduce your exposure to these chemicals: work in a well ventilated area, and work with approved safety equipment, such as those dust masks that are specially designed to filter out microscopic particles.

- **Avoid prolonged contact with dust from power sanding, sawing, grinding, drilling, and other construction activities. Wear protective clothing and wash exposed areas with soap and water.** Allowing dust to get into your mouth, eyes, or lay on the skin may promote absorption of harmful chemicals.

**WARNING:** Use of this tool can generate and/or disperse dust, which may cause serious and permanent respiratory or other injury. Always use NIOSH/OSHA approved respiratory protection appropriate for the dust exposure. Direct particles away from face and body.

**WARNING:** Always wear proper personal hearing protection that conforms to ANSI S12.6 (S3.19) during use. Under some conditions and duration of use, noise from this product may contribute to hearing loss.

**CAUTION:** When not in use, place tool on its side on a stable surface where it will not cause a tripping or falling hazard. Some tools will stand upright but may be easily knocked over.

**Air vents often cover moving parts and should be avoided.** Loose clothes, jewelry or long hair can be caught in moving parts.

The label on your tool may include the following symbols. The symbols and their definitions are as follows:

V.....volts	or AC/DC...alternating or direct current
Hz.....hertz	.....Class II Construction (double insulated)
min.....minutes	.....no load speed
— — or DC.....direct current	n.....rated speed
.....Class I Construction (grounded)	.....earthing terminal
.../min.....per minute	.....safety alert symbol
BPM.....beats per minute	.....visible radiation
IPM.....impacts per minute	.....avoid staring at light
RPM.....revolutions per minute	.....wear respiratory protection
sfpmin.....surface feet per minute	.....wear eye protection
SPM.....strokes per minute	.....wear hearing protection
OPM.....oscillations per minute	.....read all documentation
A.....amperes	IPXX.....IP symbol
W.....watts	
or AC.....alternating current	

**SPECIFICATIONS**

Tool body	Precision Cast Aluminum
Fasteners length	Must use direct fasteners 1/2" (13 mm) to 1-1/2" (38 mm) total length.
Tool length	15-1/4" (387 mm)
Load type	Short .27 caliber (6.8/11) in a 10 load safety strip.
Power level	Brown (2), Green (3), Yellow (4), Red (5)
Fasteners type	.300" head direct drive fasteners 8 mm head direct drive fasteners Ballistic point drive fasteners 1/4"-20 threaded studs

**SPECIFICATIONS**

Weight (without pin/loads) 4.25 lbs (1.92 kg)

**Intended Use**

Your 52051 Sniper Powder-Actuated Overhead Fastening Tool is a low velocity, semi-automatic .27 caliber tool which can be used to install .300" head drive fasteners, 8 mm head drive fasteners, 1/4"-20 threaded studs, up to 1-1/2" (38 mm) in total length.

The 52051 is designed for overhead fastening applications in concrete, certain masonry materials, and A 36 steel. It must be used with a DEWALT Sniper pole.

**DO NOT** use under wet conditions or in presence of flammable liquids or gases.

**DO NOT** let children come into contact with the tool. Supervision is required when inexperienced operators use this tool.

**OPERATION**

**WARNING:** To reduce the risk of serious personal injury, remove loads and fasteners before making any adjustments or removing/installing attachments or accessories. An accidental actuation can cause injury.

**CAUTION:** Be sure to read and understand all of the safety precautions and training in this manual before attempting to operate the tool. Check to be sure the tool is not loaded, the piston moves freely within the barrel, and no foreign objects or fasteners are in the barrel. Perform the daily function test before using the tool.

Your DEWALT Sniper overhead tool must always be used with a DEWALT Sniper pole.

**Fastener Functioning**

Prior to learning the safe operating procedures for this tool, it is important to understand how a powder-actuated fastener works. A powder-actuated fastener is considered to be a direct drive or forced entry type of fastener because it is driven directly into the base material. The driving action causes tremendous forces to be applied to the fastener. DEWALT powder-actuated fasteners are specially designed and manufactured to withstand the forces imposed during the driving operation. Only fasteners manufactured or supplied by DEWALT should be used in this tool.

**Suitable Base Material**

**WARNING:** Failure to follow the warnings and instruction may result in severe injury or death to the tool operator and/or bystanders.

Powder-actuated fasteners can be used successfully in concrete, certain masonry materials, and A 36 steel, but some materials are not suitable. Never guess when fastening into base materials. Fasteners should never be fired into hard or brittle materials such as cast iron, tile, glass, or rock. These materials can easily shatter resulting

## ENGLISH

in a potential safety hazard. In addition, soft base materials such as wallboard, plaster, or wood are not suitable as the fastener can penetrate the material and protrude through the opposite side.

### Center Punch Test (Fig. B–D)

A center punch test should always be performed to determine the suitability of the base material for a powder-actuated fastening. This test is relatively simple and can help to insure a safe, successful fastening. Be sure to wear the appropriate eye protection when performing this test. To begin, select the fastener to be used for the job. Then, place the point of the fastener against the proposed base material. Strike the fastener with a single hammer blow, then examine the point. If the point of the fastener is not blunted and the base material has a clear point indentation, it is acceptable to proceed with the first test installation. Use of a powder-actuated system is not recommended if the following occurs during the center punch test:

- The fastener point has been blunted. This indicates that the base material is too hard (Fig. B).
- The base material cracks or shatters. This indicates that the base material is too brittle (Fig. C).
- When using an average hammer blow, the fastener penetrates the base material easily. This indicates that the base material is too soft (Fig. D).

Fig. B

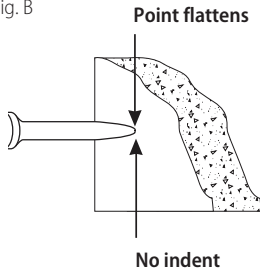


Fig. C

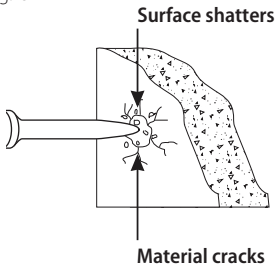
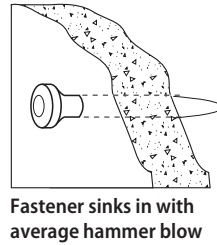


Fig. D



### Functioning in Concrete

The performance of a powder-actuated fastener when installed into concrete or masonry base materials is based on the following factors:

- Strength of the base material
- Hardness and concentration of the aggregate
- Shank diameter of the fastener
- Depth of embedment into the base material
- Fastener spacing and edge distance

In addition to these factors, installation tool accessories such as a stop spall which reduces the tendency of the concrete surface to spall during the driving action can increase the performance of the fastener.

When a powder-actuated fastener is driven into concrete, it displaces the volume of concrete around the embedded area of the fastener shank. As this occurs, the concrete directly surrounding the fastener is compressed and in turn presses back against the shank of the fastener. Additionally, the driving action generates heat which causes particles within the concrete to fuse to the shank of the fastener. This combination of compression and fusion holds the fastener in the concrete base material. A similar action occurs when fastening into block masonry.

Generally, the performance of the fastener in a given concrete strength will increase with greater embedment depths in a certain range. Depending on the fastener style and base material strength, embedment depths range from 5/8" (16 mm) to 1-1/2" (38 mm). For depths greater than this range, there is the possibility of fastener bending or fishhooking which may decrease expected load capacities and create a safety hazard.

During the driving action, some localized surface spalling of the concrete may occur. Normally, this is a surface effect which does not effect the performance of the fastener. However, it may pose an aesthetic problem for exposed applications where a fixture is not used. In cases such as this, two methods can be used to improve the appearance of the fastening. A stop spall adapter mounted on the powder-actuated tool can help to reduce surface spalling. Another method used is to drive the fastener through a steel washer to improve the appearance of the application.

### Fastener Installation Requirements

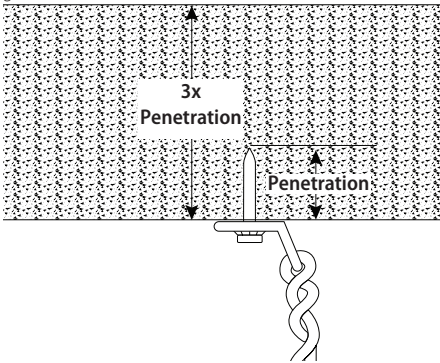
It is important to understand the required minimum base material thickness requirements along with the minimum



spacing and edge distance requirements. Failure to follow these requirements can result in an unsuccessful fastening and create a safety hazard.

**Base Material Thickness (Fig. E)**

Concrete base material should be at least three times as thick as the fastener embedment penetration. If the concrete is too thin, the compressive forces forming at the fasteners point can cause the free face of the concrete to break away. This can create a dangerous condition from flying concrete and/or the fastener and also results in a reduction of fastener holding power. For applications in the face shell of concrete masonry block, select a fastener length which will not exceed the thickness of the face shell. Fig. E



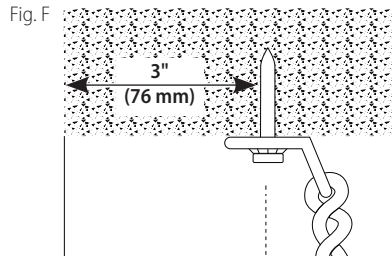
**Fastener Penetration Guide**

The following table lists typical embedment or penetration depths expected in the base materials listed. The penetration will vary depending on the density of the material. This table should be used as a guide since the consistency of these materials varies. When in doubt, a job site performance test should be conducted.

Density	Typical Base Material	Penetration
Soft masonry	Concrete block	1"–1-1/4" (25.5 mm–33 mm)
Average concrete	Poured concrete	3/4"–1" (19 mm–25.5 mm)
Dense concrete	Pre-stressed/pre-cast concrete	5/8"–3/4" (16 mm–19 mm)

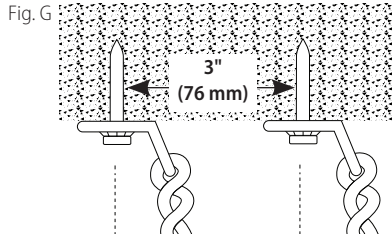
**Edge Distance (Fig. F)**

Do not fasten closer than 3" (76 mm) from the edge of concrete. If the concrete cracks, the fastener may not hold. Closer edge distances for applications such as sill plates may be permitted if specific fastener testing has been conducted.



**Spacing (Fig. G)**

Setting fasteners too close together in concrete or masonry can cause cracking. The recommended minimum distance between fasteners is 3" (76 mm) center to center.



**Fastener Length Selection in Concrete**

For permanent applications using fasteners in concrete, first determine the thickness of the fixture to be fastened. To this, add the required embedment or penetration into the base material. This will be the fastener shank length required.

For applications in the face shell of masonry block, select a fastener length which will not exceed the thickness of the face shell.

For removable applications with threaded studs, the shank length required is equal to the embedment depth required. To determine the minimum threaded length, add the thickness of the fixture and the nut/washer thickness. The nut and washer thickness is equal to the nominal thread diameter.

Do not over tighten threaded parts. Maximum tightening torque values are listed in the table below. Use of a nut setter is recommended to reduce the possibility of over tightening the fasteners. For critical applications, perform a job site test.

Maximum torque for 1/4" stud (Ft.-Lbs.)	2
Maximum torque for 3/8" stud (Ft.-Lbs.)	4

**Functioning in Steel**

The load performance of a powder-actuated fastener when installed into steel base materials is based on the following factors:

- Thickness of the steel
- Tensile strength of the steel
- Shank diameter of the fastener
- Depth of point penetration through the steel
- Fastener spacing and edge distance.

## ENGLISH

When a powder-actuated fastener is driven into steel, it displaces the steel laterally 360° around the shank of the fastener. Since steel is an elastic material, it presses back against the shank of the fastener to hold it in place.

As the diameter of the fastener shank is increased, the load capacity obtained will generally increase provided the steel thickness is sufficient to accept the fastener. To further increase fastener performance in steel, some fasteners have a knurled shank which allows the steel to form a key lock into the grooves to provide higher capacities than those obtained with a smooth shank. For optimum performance, the fastener point should completely penetrate the steel. Normally, a minimum of 1/4" (6.5 mm) is allowed for the point length. An increase in performance can be expected until the fastener no longer completely penetrates through the steel. At this point, the elastic properties of the steel cause a compression force to be developed at an angle against the fastener point which reduces load capacity. In thicker steel base materials, adequate load capacities may be obtained for applications in which the point of the fastener does not fully penetrate the steel. Job site performance tests are recommended. Fasteners should not be used in areas that have been welded or cut with a torch as these procedures may have caused local hardening of the steel. Over driving of the fastener should be avoided as the rebound created may reduce the load capacity or cause damage to the fastener. When fastening into unsupported long steel members, it may be necessary to provide support in the area of the fastening to prevent spring action which can cause inconsistent penetration and a reduction in load capacity.

### Installation in Steel

The following guidelines are based on the installation of a fastener in ASTM A 36 structural steel with the point fully penetrating the steel member. Recommended steel material thickness ranges from a minimum of 1/8" (3 mm) to a maximum of 3/8" (9.5 mm). For use in higher strength structural steel, applications where the point does not penetrate the steel member, or a thickness of steel greater than 3/8" (9.5 mm), job site performance tests are recommended.

### Base Material Thickness

Steel base materials should be a minimum of 1/8" (3 mm) in thickness.

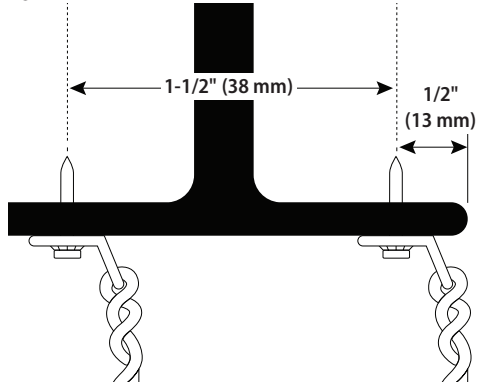
### Edge Distance (Fig. H)

For installations in A 36 steel, 1/2" (13 mm) is the recommended minimum edge distance.

### Spacing (Fig. H)

The recommended minimum distance between fastenings is 1-1/2" (38 mm) center to center for installations in ASTM A 36 steel.

Fig. H



### Fastener Length Selection in Steel

For permanent applications when using fasteners in steel, first determine the thickness of the fixture to be fastened. To this, add the thickness of the steel base material plus a minimum of 1/4" (6.5 mm) to allow for proper point penetration. This will be the minimum fastener shank length required. Do not select a fastener length longer than that required for the application. An excessively long shank can burnish or polish the hole created in the steel resulting in a reduction in load capacity.

For removable applications with threaded studs, the shank length required is equal to the thickness of the steel base material plus a minimum of 1/4" (6.5 mm) to allow for proper point penetration. This will be the minimum fastener shank length required. Do not select a shank length longer than that required for the application. An excessively long shank can burnish or polish the hole created in the steel resulting in a reduction in load capacity. To determine the minimum threaded length, add the thickness of the fixture and the nut/washer thickness. The nut and washer thickness is equal to the nominal thread diameter.

Do not over tighten threaded studs. Use of a nut setter is recommended to reduce the possibility of over tightening the fasteners. For critical applications, perform a job site test.

### Daily Function Test

**WARNING:** This test should be performed without fasteners or powder load in the tool.

Test the tool overhead several times by completely depressing it on a hard surface. You should hear an audible click as the firing pin releases. Let up on the tool and check to be sure that the barrel assembly has opened to the starting position. Next, place the tool, pointing downward, on a hard surface and firmly, completely, depress the tool. You must not hear the firing pin release. If the firing pin releases, stop using the tool. Do not try to use the tool until the proper repairs have been made.

### Loading the Tool (Fig. I)

**WARNING:** Always load the fastener before inserting or advancing the powder load strip to prevent injury

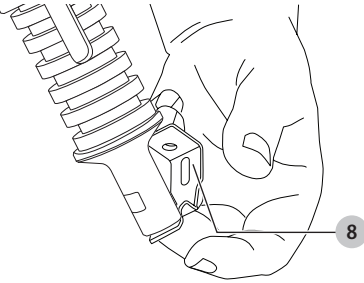
to the operator or bystanders in the event of an accidental discharge.

**WARNING:** Load **ONLY** one fastener at a time. Always check to make sure there isn't a fastener already loaded before loading the tool.

1. Make sure there are no powder loads in the tool.
2. Place the fastener, point out, into the end of the single shot nose until the fluted tip fits inside. Do not use excessive force when inserting the fastener. If excessive force is required, stop and determine why the fastener can not be inserted. Correct the problem before proceeding.

**NOTE:** If a clip assembly **8** is being used, be sure it is positioned in the cutout section of the spall guard. Do not use fasteners longer than 1-1/2" (38 mm) as listed in **Specifications**.

Fig. I



## Fastening (Fig. J–L)

**WARNING:** Do not attempt to close the tool by exerting force on the front of the barrel. Never place your fingers or hands over muzzle end of the tool. Hands must never be placed in front of the tool muzzle or barrel. In the event of an accidental discharge, the piston and/or fastener can cause serious injury to the operator's hand.

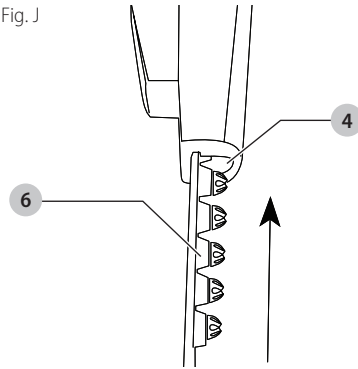
**WARNING:** Always use a spall guard **7** whenever possible. This will limit the possibility of fastener ricochet which could cause serious injury or death to the operator or bystanders.

**WARNING:** Always face the powder strip guideway **4** away from you and bystanders when actuating the tool.

**WARNING:** Use only DEWALT safety poles for safe and proper operation.

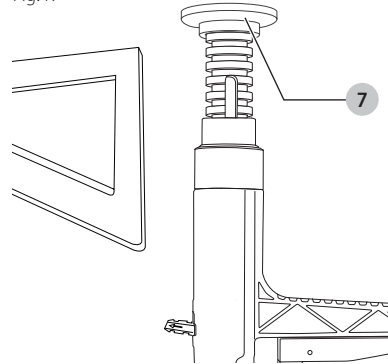
1. Always point the tool in a safe direction away from bystanders and the operator.
2. Insert a fastener assembly into the muzzle as described in **Loading the Tool**.
3. Insert a load strip **6** into the powder strip guideway **4** bottom of the handle **3** and push is until your finger is in firm contact with the handle recess. Never try to insert a load strip into the tool from the top of the receiver.

Fig. J



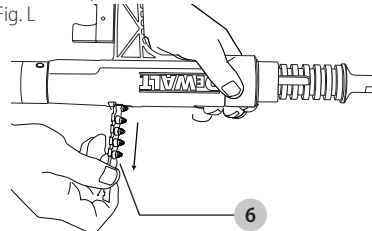
4. Carefully raise the tool to the ceiling and depress the barrel assembly where the fastening is to be made. Hold the tool perpendicular and forcibly push upwards on the pole handle to compress the firing pin spring and release the sear to fire the tool. If the tool does not fire, continue to hold it in place for at least 30 seconds and then follow the misfire procedure. Refer to **Tool Malfunction**. Always point the tool in a safe direction and use care when raising it to the ceiling to avoid bumping objects that could cause the tool to fire.

Fig. K



5. Lower the tool, keeping it pointed in a safe direction, and insert the next fastener or assembly.  
**NOTE:** The piston is automatically reset for the next fastening. After inserting the fastener into the muzzle, compress the load strip advancement lever **5** to prepare for next fastening.
6. After all 10 loads in the strip have been fired, pull the used load strip from the top of the tool. **NEVER** try to pull a load strip **6** from the bottom of the tool.

Fig. L



## ENGLISH

7. If you are working in an area where dirt or debris can fall onto the tool while making fastenings, check the tool frequently to be sure the muzzle bushing and load strip track are clear.

### Use of Partially Used Load Strips

The design of the 52051 is such that the next load to be fired is manually indexed into the firing position by compressing the load strip advancement lever **5**, firing and tool opening sequence of operation. If it is necessary to use a partially used load strip, the end of the strip containing the live loads should be placed into the bottom of the tool handle just as if it were a new strip. By counting the number of unfired loads in the strip before inserting it and keeping count as the fastenings are being made, one can easily determine when all of the loads have been used.

## MAINTENANCE

- WARNING:** To reduce the risk of serious personal injury, remove loads and fasteners before making any adjustments or removing/installing attachments or accessories. An accidental actuation can cause injury.

### Cleaning

- WARNING:** Blow dirt and dust out of all air vents with clean, dry air at least once a week. To minimize the risk of eye injury, always wear ANSI Z87.1 approved eye protection when performing this procedure.

- WARNING:** Never use solvents or other harsh chemicals for cleaning the non-metallic parts of the tool. These chemicals may weaken the plastic materials used in these parts. Use a cloth dampened only with water and mild soap. Never let any liquid get inside the tool; never immerse any part of the tool into a liquid.

Clean the tool daily. Always make sure the tool is not loaded before performing any service or repair and always wear safety goggles when cleaning or servicing the tool.

### Normal Cleaning

All front end parts shown in the disassembly section are to be cleaned daily with a good detergent oil and wire brush. Remove all dirt and carbon buildup and wipe parts dry with a clean rag. Check all parts for wear or damage before reassembly and replace or repair any worn or damaged parts.

### Complete Cleaning / General Maintenance

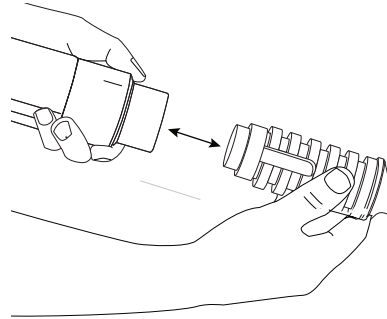
Heavy or constant exposure to dirt and debris may require that the tool be cleaned more extensively. Complete disassembly and cleaning of all parts may be necessary to restore the tool to normal operation. General maintenance should be performed every six months or more often if the tool is subjected to heavy use. Contact your authorized DEWALT distributor for assistance.

### Tool Disassembly (Fig. M–P)

- WARNING:** Always perform the daily function test before using the tool and after cleaning or servicing.

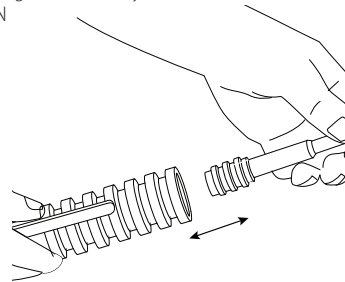
1. Unscrew and remove the barrel retention nut. Handle the tool carefully after the collar is unscrewed to prevent the two stopper returns from falling out.
2. Push nose piece forward, hold and remove the two stopper returns from the slots on either side of the tool housing.

Fig. M



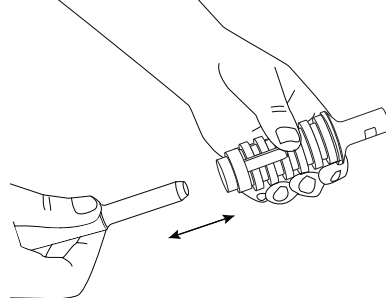
3. Slide the piston guide assembly and the return spring out of the tool body. Note the position of the slots on the sides of the barrel since the stopper return of the pawls are inserted into the barrel slots through the tool housing in re-assembly.

Fig. N



4. Unscrew the muzzle bushing assembly from the barrel. If this is difficult to do by hand, grasp the barrel and use a wrench on the flats of the nose piece assembly to loosen it for complete removal.

Fig. O



5. Remove the piston from the barrel.

Fig. P



- Remove the rubber stop and rubber stop holder from the piston assembly. Inspect all parts for wear or damage and clean or replace as required. Use cleaning solvent and cleaning brushes to remove dirt and powder residues. Wipe all parts dry before reassembly. Wear safety goggles when cleaning tool parts.
- Check the piston tip for damage and grind flat. The tip of the piston must be 90° to the shank. Grinding should only be done by qualified personnel. The minimum overall length of the piston must not be less than 4-7/8" (124 mm) long. When less than 4-7/8" (124 mm) long, the piston must be replaced.
- Reassemble the tool in the reverse order of disassembly. When sliding the piston guide and spring into the housing, align the slot in the barrel with the slot in the tool housing and install both stopper returns and the steel liner nut.

## Accessories



**WARNING:** Since accessories, other than those offered by DEWALT, have not been tested with this product, use of such accessories with this tool could be hazardous. To reduce the risk of injury, only DEWALT recommended accessories should be used with this product.

Recommended accessories for use with your tool are available at extra cost from your local dealer or authorized service center. If you need assistance in locating any accessory, please contact DEWALT Industrial Tool Co., 701 East Joppa Road, Towson, MD 21286, call 1-800-4-DEWALT (1-800-433-9258) or visit our website: [www.dewalt.com](http://www.dewalt.com).

52053 6' Pole Tool for Sniper

52061 8' Pole Tool for Sniper

## Repairs



**WARNING:** To assure product SAFETY and RELIABILITY, repairs, maintenance and adjustment (including brush inspection and replacement, when applicable) should be performed by a DEWALT factory service center or a DEWALT authorized service center. Always use identical replacement parts.

## Register Online

Thank you for your purchase. Register your product now for:

- WARRANTY SERVICE:** Registering your product will help you obtain more efficient warranty service in case there is a problem with your product.
- CONFIRMATION OF OWNERSHIP:** In case of an insurance loss, such as fire, flood or theft, your registration of ownership will serve as your proof of purchase.

- FOR YOUR SAFETY:** Registering your product will allow us to contact you in the unlikely event a safety notification is required under the Federal Consumer Safety Act.

Register online at [www.dewalt.com/register](http://www.dewalt.com/register)

## Three Year Limited Warranty

DEWALT will repair or replace, without charge, any defects due to faulty materials or workmanship for three years from the date of purchase. This warranty does not cover part failure due to normal wear or tool abuse. For further detail of warranty coverage and warranty repair information, visit [www.dewalt.com](http://www.dewalt.com) or call 1-800-4-DEWALT (1-800-433-9258). This warranty does not apply to accessories or damage caused where repairs have been made or attempted by others. THIS LIMITED WARRANTY IS GIVEN IN LIEU OF ALL OTHERS, INCLUDING THE IMPLIED WARRANTY OF MERCHANTABILITY AND FITNESS FOR A PARTICULAR PURPOSE, AND EXCLUDES ALL INCIDENTAL OR CONSEQUENTIAL DAMAGES. Some states do not allow limitations on how long an implied warranty lasts or the exclusion or limitation of incidental or consequential damages, so these limitations may not apply to you. This warranty gives you specific legal rights and you may have other rights which vary in certain states or provinces.

### 90 DAY MONEY BACK GUARANTEE

If you are not completely satisfied with the performance of your DEWALT Power Tool or Nailer for any reason, you can return it within 90 days from the date of purchase with a receipt for a full refund – no questions asked.

**LATIN AMERICA:** This warranty does not apply to products sold in Latin America. For products sold in Latin America, see country specific warranty information contained in the packaging, call the local company or see website for warranty information.

**FREE WARNING LABEL REPLACEMENT:** If your warning labels become illegible or are missing, call 1-800-4-DEWALT (1-800-433-9258) for a free replacement.

## TROUBLESHOOTING

### BE SURE TO FOLLOW SAFETY RULES AND INSTRUCTIONS

For assistance with your product, visit our website at [www.dewalt.com](http://www.dewalt.com) for a list of service centers, or call DeWALT at 1-800-4-DEWALT (1-800-433-9258).

PROBLEM	POSSIBLE CAUSE	SOLUTION
Fastener overdriving.	Power level too high / Fastener too short.	Use a lower powder load level number or a longer fastener.
	Soft base material.	Check base material suitability section.
Tool does not fire.	Tool not depressed completely.	Fully compress the tool. Contact an authorized DeWALT service center to have the tool checked and/or serviced.
	Firing pin damaged.	Replace damaged part(s).
Tool does not depress completely.	Damaged firing pin parts, ejector, etc. Parts assembled improperly.	Check the parts for damage or improper assembly.
Power reduction or inconsistent fastener penetration.	Piston does not fully return due to soft base material.	Re-assemble the piston and nose. Avoid soft material such as wood, etc..
	Worn or damaged piston or bumper.	Replace piston or bumper.
	Damaged or bent piston.	Remove and replace piston.
Load strip cannot be inserted into tool.	Improper loading.	Insert strip from the bottom of the tool handle.
	Wrong caliber strip.	Use only short .27 caliber safety load strips.
Load strip will not advance.	Worn advance lever guide.	Replace advance lever guide. This should be performed by qualified individuals.
Load detaches from the load strip.	Excessive fastening rate.	Stop using the tool immediately and contact an authorized DeWALT service center to have the tool checked and/or serviced. Remove the powder load strip and let the tool cool down.
Load strip cannot be removed.	Build-up of combustion residue.	Contact an authorized DeWALT service center to have the tool checked and/or serviced.
	Temperatures may become too high due to frequency of usage.	Let the tool cool down. If the problem persists, contact an authorized DeWALT service center to have the tool checked and/or serviced.
Load will not fire when tool is fully depressed.	Load is already fired.	Cycle tool.
	Load misfire.	Follow safety procedure.
	Broken firing pin.	Replace firing pin. This should be performed by qualified individuals.
	Broken or missing firing pin nut.	Replace firing pin nut. This firing pin nut should be performed by qualified individuals.
Tool cannot be opened or cycled	Lack of proper cleaning.	Clean tool thoroughly.
	Damaged or bent piston.	Remove and replace piston.
	Broken or damaged parts.	Tag tool with warning "Defective - Do Not Use" place in locked container and contact your DeWALT Authorized representative for service.
Piston stuck in the forward position.	Piston has been overdriven and is jammed in the barrel.	Tap the piston against a hard surface. Re-assemble and adjust power/load to avoid overdriving fastener. Avoid soft base material.
Powder load strip melts	Temperatures may become too high due to frequency of usage.	Slow down the frequency of usage. Remove the powder load strip and let the tool cool down.
	Tool compressed and held too long before firing.	Compress the tool for less time before firing. Remove the powder load strip and let the tool cool down.

## QUALIFIED TOOL OPERATOR EXAMINATION

Operator's Name \_\_\_\_\_ Date \_\_\_\_\_

Home Address \_\_\_\_\_

Date of Birth \_\_\_\_\_ Age \_\_\_\_\_

Company Name \_\_\_\_\_

Company Address \_\_\_\_\_

Company Phone \_\_\_\_\_

Signature \_\_\_\_\_ Date \_\_\_\_\_

### Check the correct answer.

- It is necessary to read the Instruction Manual prior to operating a DEWALT low velocity tool.
  - True
  - False
- When fastening into concrete, the base material should be greater than the shank penetration by at least:
  - 1 time
  - 2 times
  - 3 times
- When operating a powder actuated tool, your hand should never be placed:
  - Around the tool body
  - In front of the tool muzzle
  - Over the tool handle
- To determine the suitability of a base material, use the fastener as a center punch.
 

If the fastener is blunted, do not fasten; the material is too:

  - Soft
  - Hard
  - Brittle

If the fastener penetrates easily, do not fasten; the material is too:

  - Soft
  - Hard
  - Brittle

If the material cracks or shatters, do not fasten; the material is too:

  - Soft
  - Hard
  - Brittle
- Unsafe applications for powder-actuated tools may be caused by which of the following?
  - A soft base material
  - Improper powder load
  - Fastening too close to an unsupported edge
  - A malfunctioning tool
  - Fastening into a spalled area
  - Fastening through a pre-existing hole
  - All of the above
- Which one of the following building materials is not suitable as a receiving material (base material) for powder-actuated fasteners?
  - Sheet rock
  - Wood
  - Fiberglass
  - Sheet metal
  - All of the above
- When considering the safety of a particular application, the operator must think about:
  - The base material
  - The powder load power level
  - The operator's safety
  - The safety of bystanders and fellow workers
  - All of the above
- The proper loading procedure is: insert fastener first, powder load second. The fastener should always be placed in the tool prior to the load.
  - True
  - False
- Which one of the following materials is usually suitable for powder-actuated fastenings?
  - Poured concrete
  - Hollow tile
  - Surface hardened steel
  - Glazed brick
- In concrete, a fastener should be driven no closer to an unsupported edge than:
  - 1/2" (13 mm)
  - 1-1/2" (38 mm)
  - 3" (76 mm)
- Fishhooking is a condition which can occur when a powder-actuated fastener strikes a piece of hard aggregate or very hard concrete, bends and comes out of the work surface. A fishhook can cause a serious injury or death.
  - True
  - False
- Placing a hand over the muzzle bushing of a loaded tool can result in serious injury from piston overdrive or an escaping fastener if the tool is discharged accidentally.
  - True
  - False

ENGLISH

13. Piston overdrive is caused by overpowering of the tool or by discharging the tool against a soft surface.  
 True  
 False
- 
14. Malfunctioning tools cannot be used and must be removed from service immediately.  
 True  
 False
- 
15. After conducting a Center Punch Test, the best way to check the base material is to set several fasteners using the least powerful load.  
 True  
 False
- 
16. Safety goggles and hearing protection should not be worn by the operator and any necessary bystanders when using the tool.  
 True  
 False
- 
17. A powder-actuated tool cannot be safely used in an explosive or flammable atmosphere.  
 True  
 False
- 
18. List the proper powder load level number (1-6) next to each color listed.  
\_\_\_ Red  
\_\_\_ Brown  
\_\_\_ Green  
\_\_\_ Yellow  
\_\_\_ Gray  
\_\_\_ Purple
- 
19. The weakest power level should be used when making the first fastening.  
 True  
 False
- 
20. You can fasten into weld areas of steel.  
 True  
 False
- 
21. Before actuating the tool, the powder strip guideway should always be facing away from:  
 You  
 You and bystanders  
 Bystanders
- 
22. Actuating the tool too quickly or leaving the tool at the compression state too long before actuating will lead to powder strip melting or load detaching from power strip:  
 True  
 False  
 Only actuating the tool too quickly will lead to powder strip melting or load detaching from power strip.

52051

The proper procedure if a powder load fails to ignite is to hold the tool against the work surface and wait 30 seconds, then proceed exactly as directed in the Instruction Manual.

- True  
 False

DEWALT Fasteners powder loads for the 52051 are .27 caliber rim fire short crimped cartridges in plastic magazines. No other powder load may be used in this tool.

- True  
 False

Operators should never compress the 52051 or any other powder actuated tool against any part of their body.

- True  
 False

**LICENSE ACTIVATION**

I certify that I have read and understand the 52051 Tool Operating Instruction Manual and have taken the Qualified Tool Operator Examination. I understand the importance of following all safety procedures and that failure to read, comprehend, and follow the detailed rules and warnings regarding the safe operation of powder-actuated tools can result in serious injury or death to the tool operator or bystanders. I agree to conform to all the rules and regulations regarding the use of powder-actuated tools. (Please print clearly)

Serial number on the tool

---

**Please send my tool license to:**

Name

Address

City

State

Zip Code

Phone

---

Mail examination to : Tool License Coordinator  
Stanley Black and Decker  
2 Powers lane  
Brewster, NY 10509



## Définitions : symboles et termes d'alarmes sécurité

Ces guides d'utilisation utilisent les symboles et termes d'alarmes sécurité suivants pour vous prévenir de situations dangereuses et de risques de dommages corporels ou matériels.



**DANGER** : indique une situation dangereuse imminente qui, si elle n'est pas évitée, **entraînera la mort ou des blessures graves**.



**AVERTISSEMENT** : indique une situation potentiellement dangereuse qui, si elle n'est pas évitée, **pourrait entraîner la mort ou des blessures graves**.

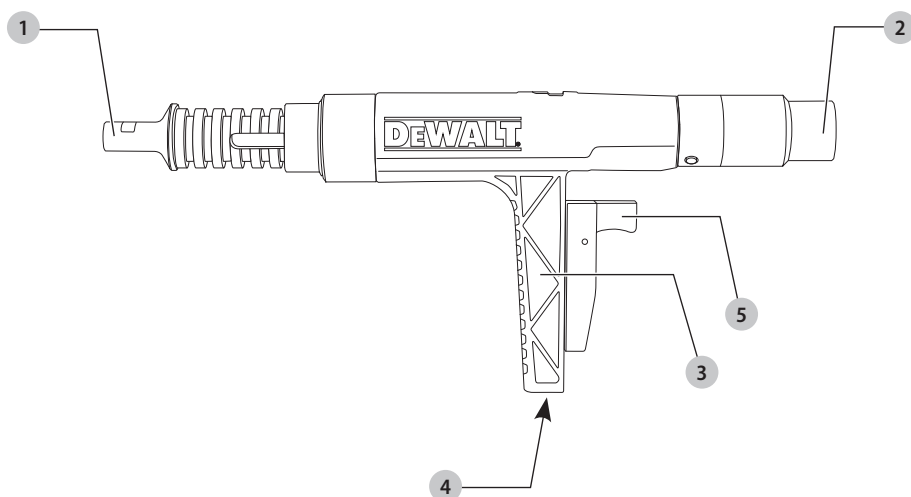


**ATTENTION** : indique une situation potentiellement dangereuse qui, si elle n'est pas évitée, **pourrait entraîner des blessures légères ou modérées**.



(Si utilisé sans aucun terme) Indique un message propre à la sécurité.

**AVIS** : indique une pratique ne posant **aucun risque de dommages corporels** mais qui par contre, si rien n'est fait pour l'éviter, **pourrait poser des risques de dommages matériels**.



- 1 Bouche
- 2 Interrupteur de sécurité
- 3 Poignée
- 4 Guidage de la bande du pistolet
- 5 Levier d'avancement de la bande de charges



**AVERTISSEMENT** : lire tous les avertissements de sécurité et toutes les directives. Le non-respect des avertissements et des directives pourrait se solder par un choc électrique, un incendie et/ou une blessure grave.



**AVERTISSEMENT** : afin de réduire le risque de blessures, lire le mode d'emploi de l'outil.

Pour toute question ou remarque au sujet de cet outil ou de tout autre outil DEWALT composez le numéro sans frais : (1-800-433-9258).

## Pistolet de scellement à poudre pour fixations au plafond 52051

### AVERTISSEMENTS GÉNÉRAUX SUR LA SÉCURITÉ DES PISTOLETS

**!** **AVERTISSEMENT!** lire tous les avertissements de sécurité et toutes les directives. Ne pas suivre les avertissements et les instructions peut entraîner des blessures graves.

#### CONSERVER TOUS LES AVERTISSEMENTS ET TOUTES LES DIRECTIVES POUR UN USAGE ULTÉRIEUR

Le terme « outil électrique » cité dans les avertissements se rapporte à votre outil électrique à alimentation sur secteur (avec fil) ou par piles (sans fil).

#### 1) Sécurité du lieu de travail

- Tenir l'aire de travail propre et bien éclairée.**  
*Les lieux encombrés ou sombres sont propices aux accidents.*
- Ne pas utiliser les pistolets en atmosphères explosibles comme en présence de liquides inflammables, de gaz ou de poussière.** Les pistolets créent des étincelles qui peuvent enflammer la poussière ou les vapeurs.
- Gardez les enfants et les passants éloignés lorsque vous utilisez un pistolet.** Les distractions peuvent vous faire perdre le contrôle.

#### 2) Sécurité personnelle

- Demeurez alerte et surveillez ce que vous faites en faisant preuve de bon sens lorsque vous utilisez un pistolet. Ne pas utiliser un pistolet lorsque vous êtes fatigué ou sous l'influence de drogues, de l'alcool ou de médicaments.** Un moment d'inattention pendant l'utilisation de pistolets peut entraîner une blessure corporelle grave.
- Utiliser un équipement de protection individuelle. Portez toujours une protection des yeux.** Un équipement protecteur comme un masque antipoussières, des chaussures de sécurité antidérapantes, un casque de sécurité ou une protection auditive utilisé en conditions appropriées réduira les blessures corporelles.
- Empêchez l'activation non intentionnelle. Assurez-vous de ne pas appuyer sur l'outil ou que celui-ci n'est pas coincé avant d'insérer des fixations ou d'installer des charges explosives.** Transportez les pistolets avec votre doigt sur la gâchette ou en appuyant sur le nez favorise les accidents.
- Retirez tout outil utilisé pour les ajustements ou l'entretien avant d'utiliser le pistolet.** Une clé laissée fixée au pistolet peut entraîner une blessure corporelle.

- Ne pas trop vous étirer. Maintenez vos pieds bien d'aplomb sur le sol et un bon équilibre en tout temps. Assurez-vous toujours que votre corps solide et stable avant d'activer le pistolet.** Cela permet un meilleur contrôle du pistolet en situations imprévues.
- Portez des vêtements appropriés. Ne pas porter des vêtements amples ou des bijoux. Gardez vos cheveux, vos vêtements et vos gants hors de portée des pièces en mouvement.** Des vêtements amples, les bijoux ou les cheveux longs peuvent se coincer dans des pièces qui déplacent.

#### 3) Utilisation et entretien du pistolet

- Ne pas forcer le pistolet. Utilisez le bon pistolet pour votre projet.** Le bon pistolet travaillera mieux et sera plus sécuritaire à la vitesse pour laquelle il a été conçu.
- Ne jamais excéder 700 fixations/heure.** Le pistolet devient chaud, exposant potentiellement l'utilisateur à des brûlures mineures ou graves et peut mener à l'obstruction de l'outil.
- Ne pas utiliser le pistolet si vous ne pouvez pas appuyer sur l'outil.** Tout pistolet qui ne peut être contrôlé est dangereux et doit être réparé.
- Retirez les charges explosives et les fixations du pistolet avant d'effectuer tout ajustement, chargement d'accessoires, transport ou rangement d'outils.** Ces mesures de sécurité préventives réduisent le risque d'activation accidentelle du pistolet.
- Entrez les pistolets inutilisés hors de portée des enfants et ne laissez pas les personnes qui ne connaissent pas le pistolet ou ces instructions utiliser le pistolet.** Les pistolets sont dangereux entre les mains d'utilisateurs non formés.
- Entretenez les pistolets. Vérifiez si les pièces en mouvement sont mal alignées ou fixes, s'il y a des bris des pièces et tout autre état qui peut affecter l'utilisation du pistolet. S'il est endommagé, faites réparer le pistolet avant de l'utiliser.** Entretien le pistolet de façon appropriée peut aider à éviter un accident qui peut potentiellement causer une blessure.
- Utilisez le pistolet, les accessoires et les barreaux conformément aux instructions, en tenant compte de conditions de travail et du travail à être effectué.** Utiliser le pistolet pour des travaux différents de ceux pour lesquels il a été conçu pourrait entraîner une situation dangereuse.

#### 4) Réparer

- Faites réparer votre pistolet par un réparateur qualifié utilisant seulement des pièces de rechange identiques.** Ceci assurera le maintien de la sécurité du pistolet.

## Règles de sécurité supplémentaires pour les pistolets



**AVERTISSEMENT :** avant d'utiliser l'outil, étudiez attentivement ce guide et acquérez une compréhension approfondie de son contenu. Une formation appropriée conforme à la norme ANSI actuelle A 10.3, les exigences de sécurité des systèmes de pistolets doivent être respectées et une carte d'utilisateur qualifié doit être obtenue avant l'utilisation de l'outil. Les règles provinciales, locales et d'autres règles doivent aussi être suivies. Les lois, les règles et les normes concernant l'utilisation des pistolets peuvent être régulièrement révisées. De telles révisions peuvent changer les procédures d'exploitation et de sécurité décrites dans ce guide. DEWALT n'est pas responsable de ces révisions qui pourraient survenir après la publication de ce guide. C'est la responsabilité de l'utilisateur de bien connaître les lois, règles et normes actuelles qui s'appliquent au pistolet.



**DANGER :** pour éviter une blessure ou la mort :

- Ne jamais fermer l'outil avec une partie de la main sur la bouche du canon.
- Les utilisateurs et les passants doivent porter une protection oculaire et auditive.
- Tenez toujours pour acquis que l'outil est chargé. Ne pas avancer la bande de charges en comprimant le levier d'avancement de la bande de charges jusqu'à ce que la bouche du canon soit contre la surface de travail et que vous soyez prêt poser une fixation. Ne jamais placer votre main sur la bouche avec une charge explosive dans l'outil. Si l'outil se décharge accidentellement, le piston ou la fixation peut pénétrer votre main entraînant une blessure grave.
- Il est très important que l'utilisateur de cet outil lise et comprenne entièrement tout le guide de l'outil et effectue **Examen pour l'utilisateur de l'outil qualifié** dans les deux dernières de ce guide d'utilisation. Cette garantie ne sera pas valide jusqu'à ce que ce test soit reçu avec une copie de votre reçu et révisé par DEWALT. Des formulaires d'examens supplémentaires peuvent être obtenus en appelant au 1-800-4-DEWALT (1-800-433-9258) ou en téléchargeant un nouveau guide d'utilisation sur [www.dewalt.com](http://www.dewalt.com).

### Avant d'utiliser l'outil

- **Un panneau, d'au moins 20 cm x 25 cm (8 po par 10 po), en caractère gras qui n'est pas moins de 2,5 cm (1 po) de hauteur, doit être affiché bien en vue où les pistolets sont utilisés. Un panneau doit être affiché dans la zone d'utilisation de l'outil et dans les zones adjacentes à l'utilisation de l'outil où la pénétration dans un mur, un plancher ou une surface de travail peut représenter un danger.**

Le panneau doit comporter au moins les mots semblables à ce qui suit :

### AVERTISSEMENT : PISTOLETS EN COURS D'UTILISATION

- **Des lunettes de sécurité approuvées doivent toujours être portées par l'utilisateur ou les passants afin de protéger leurs yeux des particules volantes.** Une protection auditive doit toujours être portée par l'utilisateur et les passants lorsque vous utilisez un pistolet. Une autre protection de sécurité personnelle doit aussi être utilisée au besoin.
- **Ne jamais modifier ou fabriquer des pièces pour les utiliser avec votre outil DEWALT.** Utilisez seulement des fixations, des charges et des pièces d'outils DEWALT.
- **Vos mains ou d'autres parties de votre corps ne doivent jamais être placées à l'avant de la bouche/ du canon.** Une décharge accidentelle peut faire en sorte que le piston et/ou la fixation passent à travers la main de l'utilisateur.
- **Ne jamais comprimer l'outil contre toute partie du corps.** Une blessure grave ou la mort peut survenir en cas de décharge accidentelle.
- **Pointez toujours l'outil dans une direction sécuritaire en tout temps.**
- **Utilisez l'outil seulement aux fins prévues.**

### Préparation du chargement de l'outil

- **Les outils doivent être vérifiés avant l'utilisation afin d'assurer qu'il n'est pas entièrement ou partiellement chargé avec une charge explosive ou une fixation.**
- **Activer l'outil avec deux fixations chargées dans le canon causera des blessures corporelles graves.**
- **Pour assurer une utilisation sécuritaire, effectuez le test de fonctionnement quotidien décrit dans ce guide.** Assurez-vous que l'outil n'est pas chargé avant d'effectuer ce test.
- **Ne pas utiliser cet outil sans que toutes ses pièces soient en place et utilisées de façon appropriée.** Ne jamais tenter d'utiliser un outil qui fonctionne mal. Appelez 1-800-4-DEWALT pour de l'aide.
- **Ne jamais supposer la capacité du matériau de base.** Si vous n'êtes pas certain de la capacité du matériau de base, effectuez un test avec un pointeau.
- **Ne pas utiliser l'outil jusqu'à ce que vous appreniez et compreniez le système de codes/nombres de couleurs utilisé pour identifier le niveau de puissance des charges explosives.**

### Utiliser l'outil

- **Utilisez seulement des fixations et des charges explosives conçues pour cet outil et fournies par DEWALT.**
- **Ne pas utiliser des pistolets en atmosphère inflammable ou explosive.**
- **Ne pas tirer avec l'outil sans une fixation.** Le piston touchera la surface de travail causant possiblement une

blessure grave à l'utilisateur ou aux passants en plus d'endommager l'outil.

- **Ne pas charger l'outil jusqu'à ce que vous soyez prêt à faire une fixation.** Vérifiez le niveau de charge explosive avant de l'insérer dans le compartiment de l'outil.
- **La fixation doit être chargée avant de mettre la charge explosive afin d'empêcher de blesser l'utilisateur ou les passants en cas de décharge accidentelle.**
- **Tenez l'outil perpendiculaire à la surface de travail en tout temps.** Utilisez un protecteur contre les éclats lorsque possible. Cela limitera la possibilité d'un ricochet des fixations qui pourrait entraîner une blessure grave ou la mort de l'utilisateur ou des passants.
- **Effectuez toujours un test de fixation avec le niveau de charge le plus léger et réglez le niveau de puissance le bas prévu pour l'utilisation de l'outil.** Si la charge la plus légère n'arrive pas à enfoncer la fixation, essayez la charge plus élevée suivante jusqu'à ce que vous atteigniez le niveau approprié. Ne pas suivre cette procédure peut faire en sorte que la fixation sera enfoncée avec trop de puissance. Si cela se produit, la fixation peut pénétrer entièrement le matériau de base causant une blessure grave ou la mort d'une personne. Enfoncer une fixation avec trop de puissance peut aussi endommager l'outil, créant un danger pour la sécurité à la fois pour l'utilisateur ou les passants.
- **Ne pas fixer dans la fonte, la tuile, le verre ou d'autres types de matériaux fragiles.** Ces matériaux peuvent voler en éclats et créer des éclats tranchants qui peuvent causer une blessure.
- **Ne pas tirer avec l'outil à moins de 76 mm (3 po) du bord d'un matériau de base en béton ou à moins d'un 13 mm (1/2 po) du bord d'un matériau de base en acier.**
- **Ne pas tenter d'installer une fixation plus près de 3 po (76 mm) d'une autre fixation insérée précédemment dans le béton ou 38 mm (1-1/2 po) dans l'acier.**
- **Ne pas fixer dans un matériau de base en béton moins de 3 fois aussi épais que la pénétration de la fixation ou dans un matériau de base en acier plus mince que 3 mm (1/8 po).**
- **Ne jamais tenter d'installer une fixation dans une zone craquée ou effritée du béton.** Placez une fixation à au moins 76 mm (3 po) d'une zone effritée afin de prévenir la possibilité que la fixation se plie et heurte un utilisateur ou un passant.
- **Ne pas tenter d'installer des fixations dans des zones ayant été soudées ou coupées avec une torche puisque ces procédures ont pu causer le durcissement local de l'acier.**
- **Ne pas fixer dans un trou déjà percé à moins d'être bien encadré.**
- **Si vous décidez de ne pas faire une fixation après que l'outil ait été chargé, vous devez toujours retirer d'abord la charge explosive, puis la fixation par la suite.**

- **Ne jamais tenter de forcer les dispositifs de sécurité de cet outil.**
- **Gardez toujours la poignée sèche, propre et exempte d'huile ou de graisse.**
- **Vérifiez toujours s'il y a des câbles électriques derrière la surface dans laquelle vous enfoncez une fixation avant d'activer l'outil.**
- **L'outil peut seulement être utilisé au plafond et doit être utilisé avec l'outil à tige DEWALT.**

## Manutention de l'outil et des charges explosives

- **Ne jamais laisser un outil chargé ou des charges explosives sans surveillance.** Une fois l'outil chargé, effectuez immédiatement la fixation ou déchargez l'outil.
- **Déchargez toujours l'outil avant de faire des pauses, de changer des pièces, de nettoyer ou de réparer et lorsque vous entreposez.**
- **Afin de prévenir une décharge accidentelle des charges, ne jamais transporter les charges explosives dans le même contenant que les fixations ou d'autres objets durs.**
- **Entreposez toujours les charges explosives dans les contenants fournis ou dans la boîte fournie pour celles-ci.** Ne jamais mélanger les divers niveaux de puissance. Gardez-les séparées dans des contenants bien identifiés.
- **Les charges explosives ne doivent jamais être utilisées dans les armes à feu.** Elles sont normalement plus puissantes que les cartouches fournies pour les armes à feu.
- **Les pistolets et les charges explosives doivent toujours être entreposés sous clé.** Les outils doivent être déchargés s'ils ne sont pas utilisés.
- **Entreposez le guide d'utilisation, les outils d'entretien et les accessoires fournis avec la cloueuse dans le boîtier.**

## Défaut de fonctionnement de l'outil

- **Si la charge ne se décharge pas après avoir appuyé sur l'outil, l'outil doit être maintenu appuyé sur la surface de travail pendant un minimum de 30 secondes en cas de décharge retardée.** Puis retirez soigneusement la bande de charges et jetez-la dans un bidon d'eau ou un autre liquide non inflammable. Ne jamais tenter de forcer ou arracher une charge du compartiment de l'outil.
- **Ne jamais jeter des charges explosives non tirées dans une poubelle.**
- **Ne pas tenter de décharger ou désassembler un outil obstrué, coincé ou brisé puisqu'une manutention inappropriée peut faire en soit qu'il se décharge et heurte l'utilisateur et/ou un passant.** Un outil obstrué doit être pointé dans une direction sécuritaire en tout temps. Étiquetez l'outil et verrouillez-le. Appelez votre représentant DEWALT pour de l'aide appropriée.

## Consigne de sécurité supplémentaire



**AVERTISSEMENT :** ne jamais modifier l'outil électrique ni aucun de ses composants, car il y a risques de dommages corporels ou matériels.



**AVERTISSEMENT :** porter **SYSTEMATIQUEMENT** des lunettes de protection. Les lunettes courantes NE sont PAS des lunettes de protection. Utiliser aussi un masque antipoussières si l'opération est poussiéreuse. PORTER SYSTEMATIQUEMENT UN ÉQUIPEMENT DE SÉCURITÉ HOMOLOGUÉ :

- Protection oculaire ANSI Z87.1 (CAN/CSA Z94.3) ;
- Protection auditive ANSI S12.6 (S3.19) ;
- Protection des voies respiratoires NIOSH/ OSHA/ MSHA.



**AVERTISSEMENT :** les scies, meules, ponceuses, perceuses ou autres outils de construction peuvent produire des poussières contenant des produits chimiques reconnus par l'État californien pour causer cancers, malformations congénitales ou être nocifs au système reproducteur. Parmi ces produits chimiques, on retrouve :

- Le plomb dans les peintures à base de plomb ;
- La silice cristallisée dans les briques et le ciment, ou autres produits de maçonnerie ; et
- L'arsenic et le chrome dans le bois ayant subi un traitement chimique.

Le risque associé à de telles expositions varie selon la fréquence à laquelle on effectue ces travaux.

Pour réduire toute exposition à ces produits : travailler dans un endroit bien aéré, en utilisant du matériel de sécurité homologué, tel un masque antipoussières spécialement conçu pour filtrer les particules microscopiques.

- **Limiter toute exposition prolongée avec les poussières provenant du ponçage, sciage, meulage, perçage ou toute autre activité de construction. Porter des vêtements de protection et nettoyer à l'eau savonneuse les parties du corps exposés.** Le fait de laisser la poussière pénétrer dans la bouche, les yeux ou la peau peut favoriser l'absorption de produits chimiques dangereux.



**AVERTISSEMENT :** cet outil peut produire et/ou répandre de la poussière susceptible de causer des dommages sérieux et permanents au système respiratoire. Utiliser systématiquement un appareil de protection des voies respiratoires homologué par le NIOSH ou l'OSHA. Diriger les particules dans le sens opposé au visage et au corps.



**AVERTISSEMENT :** pendant l'utilisation, porter systématiquement une protection auditive individuelle adéquate homologuée ANSI S12.6 (S3.19). Sous certaines conditions et suivant la durée d'utilisation, le bruit émanant de ce produit pourrait contribuer à une perte de l'acuité auditive.



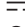


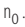









**ATTENTION :** après utilisation, ranger l'outil sur son côté, sur une surface stable, là où il ne pourra ni faire trébucher ni faire chuter

quelqu'un. Certains outils peuvent tenir à la verticale, mais manquent alors de stabilité.

- **Prendre des précautions à proximité des événements, car ils cachent des pièces mobiles.** Vêtements amples, bijoux ou cheveux longs risquent de rester coincés dans ces pièces mobiles.

L'étiquette apposée sur votre outil peut inclure les symboles suivants. Les symboles et leur définition sont indiqués ci-après :

V .....	volts	W .....	watts
Hz .....	hertz	 or AC .....	courant alternatif
min .....	minutes	 or AC/DC .....	courant alternatif ou continu
 or DC .....	courant continu		fabrication classe II (double isolation)
	fabrication classe I (mis à la terre)		vitesse à vide
... /min .....	par minute	n .....	vitesse nominale
BPM .....	battements par minute		borne de terre
IPM .....	impacts par minute		symbole d'avertissement
RPM .....	révolutions par minute		radiation visible
sfpm (plpm) .....	pieds linéaires par minute		protection respiratoire
SPM (FPM) .....	fréquence par minute		protection oculaire
OPM .....	oscillations por minuto		protection auditive
A .....	ampères		lire toute la documentation
IPXX .....	symbole IP		

## SPECIFICATIONS

Corps de l'outil	Aluminium moulé de précision
Longueur des fixations	Vous devez utiliser des fixations directes de 13 mm (1/2 po) à 38 mm (1-1/2 po) de longueur totale.
Longueur de l'outil	387 mm (15-1/4 po)
Type de charge	Courte, de calibre .27 (6,8/11) dans une bande sécuritaire de 10 charges.
Niveau de puissance	Brun (2), Vert (3), Jaune (4), Rouge (5)
Type de fixations	Fixations directes à tête d'entraînement 0,300 po Fixations directes à tête d'entraînement 8 mm Fixations d'entraînement à pointe balistique Boulons filetés 1/4 po-20
Poids (sans tiges/charges)	1,92 kg (4,25 lbs)

## Usage prévu

Votre pistolet de scellement à poudre pour fixations au plafond 52051 est un outil à masselotte, semi-automatique, de calibre ,27 qui peut être utilisé pour installer des fixations à tête d'entraînement ,300 po, des fixations à

## FRANÇAIS

tête d'entraînement 8 mm et des boulons filetés allant de 1/4 po-20 à 38 mm (1-1/2 po) de longueur totale.

Le pistolet 52051 est conçu pour des applications de fixations au plafond dans le béton, certains matériaux de maçonnerie et l'acier A 36. Il doit être utilisé avec à tige DeWALT.

**NE PAS** les utiliser en milieu ambiant humide ou en présence de liquides ou de gaz inflammables.

**NE PAS** le laisser à la portée des enfants. Une supervision est nécessaire auprès de tout utilisateur non expérimenté.

## FONCTIONNEMENT



**AVERTISSEMENT** : afin de réduire le risque de blessure corporelle, éteignez l'appareil et avant d'effectuer tout ajustement ou de retirer/installer des pièces ou des accessoires. Un déclenchement accidentel du démarrage peut causer des blessures.



**ATTENTION** : assurez-vous de lire et de comprendre toutes les consignes de sécurité et la formation de ce guide avant de tenter d'utiliser l'outil. Assurez-vous que l'outil n'est pas chargé, que le piston se déplace librement dans le canon et qu'aucun objet étranger ou aucune fixation n'est dans le canon. Effectuez un test de fonctionnement quotidien avant d'utiliser l'outil.

Votre pistolet pour plafonds DeWALT doit toujours être utilisé avec un à tige DeWALT.

## Fonctionnement des fixations

Avant de comprendre les procédures de fonctionnement sécuritaires pour cet outil, il est important de comprendre comment une fixation à charge explosive fonctionne. Une fixation à charge explosive est considérée comme une fixation à type d'entrée forcée ou enfoncée directe parce qu'elle est enfoncée directement dans le matériel de base. L'action d'enfoncement cause des forces considérables appliquées sur la fixation. Les fixations à charge explosive sont spécialement conçues et fabriquées pour résister aux forces imposées durant l'enfoncement. Seulement des fixations fabriquées ou fournies par DeWALT doivent être utilisées dans cet outil.

## Matériau de base approprié



**AVERTISSEMENT** : ne pas suivre les avertissements et les instructions peut entraîner une blessure grave ou la mort de l'utilisateur de l'outil et/ou des passants.

Les fixations à charge explosive peuvent être utilisées efficacement dans le béton, certains matériaux de maçonnerie et l'acier A 36, mais certains matériaux ne conviennent pas. Ne jamais supposer lorsque vous fixez dans des matériaux de base. Les fixations ne doivent jamais être tirées dans des matériaux durs ou effrités comme la fonte, la tuile, le verre ou la pierre. Ces matériaux peuvent facilement voler en éclats entraînant un possible danger pour la sécurité. De plus, les matériaux de base mous comme un panneau mural, du plâtre ou du bois ne conviennent pas puisque la fixation peut pénétrer le matériau et sortir du côté opposé.

## Test avec un pointeau (Fig. B–D)

Un test avec un pointeau doit toujours être effectué pour déterminer la capacité du matériau de base pour une fixation à charge explosive. Ce test est relativement simple et peut aider à assurer la réussite d'une fixation sécuritaire. Assurez-vous de porter une protection oculaire lorsque vous effectuez ce test. Pour commencer, sélectionnez la fixation à être utilisée pour le travail. Placez ensuite la pointe de la fixation contre le matériau de base proposé. Frappez la fixation d'un seul coup de marteau, puis examinez la pointe. Si la pointe de la fixation n'est pas émoussée que le matériau de base a une marque de pointe claire, il convient d'effectuer la première installation du test. Utiliser un système à charges explosives n'est pas recommandé si les éléments suivants se produisent durant le test avec un pointeau :

- La pointe de la fixation a été émoussée. Cela indique que le matériau de base est trop dur (Fig. B).
- Le matériau de base craque ou vole en éclats. Cela indique que le matériau de base est trop effrité (Fig. C).
- Lorsque vous utilisez un coup de marteau moyen, la fixation pénètre facilement le matériau de base. Cela indique que le matériau de base est trop mou (Fig. D).

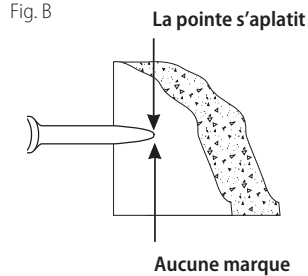


Fig. C

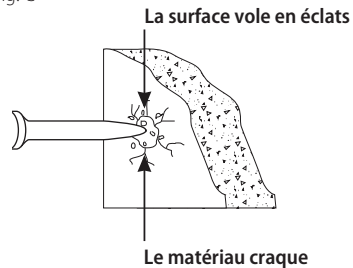


Fig. D



## Fonctionnement dans le béton

La performance de la fixation à charge explosive lorsqu'elle est installée dans des matériaux de base en béton ou en maçonnerie est basée selon les facteurs suivants :

- La force du matériau de base
- La dureté et la concentration de l'agrégat
- Le diamètre de la tige de la fixation
- La profondeur de l'enrobage du matériau de base
- L'espacement entre les fixations et la distance du bord

En plus de ces facteurs, l'installation des accessoires de l'outil comme une butée d'arrêt qui réduit la tendance de la surface du béton à voler en éclats durant l'enfoncement peut augmenter la performance de la fixation.

Lorsqu'une fixation à charge explosive est enfoncée dans le béton, elle déplace le volume du béton autour de la zone enfoncée de la tige de la fixation. Lorsque cela se produit, le béton entourant directement la fixation est comprimé et à son tour est pressé contre la tige de la fixation. De plus, l'enfoncement génère de la chaleur qui fait en sorte que les particules dans le béton se fusionnent à la tige de la fixation. Cette combinaison de compression et de fusion maintient la fixation dans le matériau de base en béton. Une action semblable se produit lorsque vous fixez dans un bloc de maçonnerie.

Généralement, la performance de la fixation dans une force de béton donnée augmentera avec les profondeurs de l'enrobage plus grandes dans une certaine plage.

Selon le style de fixation et la force du matériau de base, les profondeurs de l'enrobage vont de 16 mm (5/8 po) à 38 mm (1-1/2 po). Pour des profondeurs plus grandes que cette plage, il est possible que la fixation se plie ou forme un crochet ce qui peut réduire les capacités de charges attendues et créer un danger pour la sécurité.

Durant l'enfoncement, un certain écaillage de la surface localise du béton peut se produire. Normalement, c'est un effet sur la surface qui n'affecte pas la performance de la fixation. Cependant, cela peut poser un problème esthétique pour les applications exposées où un montage n'est pas utilisé. Dans des cas comme celui-ci, deux méthodes peuvent être utilisées pour améliorer l'apparence de la fixation. Un adaptateur de butée d'arrêt monté sur le pistolet peut aider à réduire l'écaillage de la surface. Une autre méthode utilisée est d'enfoncer la fixation à travers une rondelle en acier pour améliorer l'apparence de l'application.

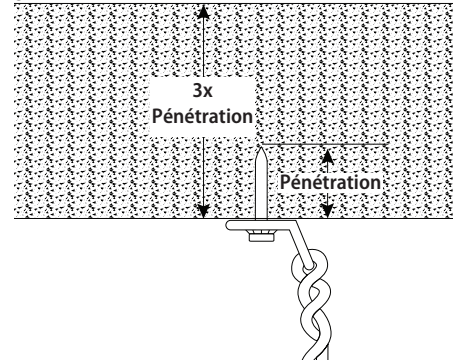
## Exigences d'installation des fixations

Il est important de comprendre que les exigences relatives à l'épaisseur du matériel de base minimum requis ainsi que les exigences relatives à l'espacement minimum et la distance du bord. Ne pas respecter ces exigences peut entraîner l'échec de la fixation et créer un danger pour la sécurité.

### Épaisseur du matériau de base (Fig. E)

Le matériau de base en béton doit être au moins trois fois aussi épais que la pénétration de l'enrobage de la fixation. Si le béton est trop mince, les forces de compression qui se forment aux points de fixations peuvent causer la rupture

de la face libre du béton. Cela peut créer une condition dangereuse en raison du béton et/ou de la fixation volants et aussi entraîner une réduction de la puissance de retenue des fixations. Pour des applications dans la paroi de face du bloc de maçonnerie en béton, sélectionnez une longueur des fixations qui n'excède pas l'épaisseur de la paroi de face. Fig. E



## Guide de pénétration des fixations

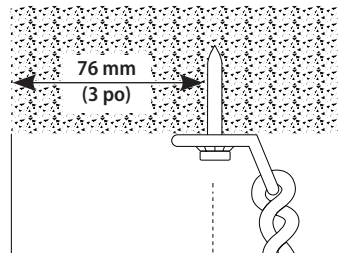
Le tableau suivant énumère les profondeurs de pénétration ou d'enrobage typiques prévues dans les matériaux de base énumérés. La pénétration variera selon la densité du matériau. Ce tableau doit être utilisé comme guide étant donné que la consistance de ces matériaux varie. En cas de doute, un test de performance sur le lieu de travail doit être effectué.

Densité	Matériau de base typique	Pénétration
Maçonnerie légère	Bloc de béton	25,5 mm–33 mm (1 po–1-1/4 po)
Béton moyen	Béton coulé	19 mm–25,5 mm (3/4 po–1 po)
Béton lourd	Béton précontraint/ préfabriqué	16 mm–19 mm (5/8 po–3/4 po)

## Distance du bord (Fig. F)

Ne pas fixer plus près de 76 mm (3 po) à partir du bord du béton. Si le béton craque, la fixation peut ne pas tenir. Des distances plus près bord pour des applications comme les lisses peuvent être permises si un test de fixation spécifique a été effectué.

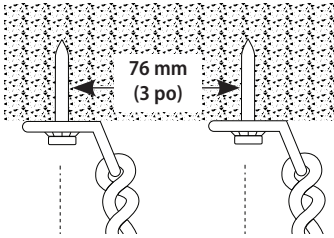
Fig. F



### Espacement (Fig. G)

Mettre les fixations trop près les unes des autres dans le béton ou la maçonnerie peut causer un craquement. La distance minimum recommandée entre les fixations est de 76 mm (3 po) du centre au centre.

Fig. G



### Sélection de la longueur des fixations dans le béton

Pour des applications permanentes à l'aide de fixations dans le béton, déterminez d'abord l'épaisseur du montage à être fixé. À cette fin, ajoutez la pénétration ou l'enrobage requis dans le matériau de base. Ce sera la longueur de la tige de la fixation requise.

Pour des applications dans la paroi de face du bloc de maçonnerie, sélectionnez une longueur des fixations qui n'exécède pas l'épaisseur de la paroi de face.

Pour des applications retirables avec des boulons filetés, la longueur de tige requise est égale à la profondeur d'enrobage requise. Pour déterminer la longueur du filet minimum, ajoutez l'épaisseur du montage et l'épaisseur de l'écrou/la rondelle. L'épaisseur de l'écrou et de la rondelle est égale au diamètre de filet nominal

Ne pas trop serrer les pièces filetées. Les valeurs du couple de serrage maximum sont énumérées dans le tableau ci-dessous. L'utilisation d'un dispositif de réglage de l'écrou est recommandée pour réduire la possibilité de trop serrer les fixations. Pour des applications importantes, effectuez un test sur le lieu de travail.

Couple maximum pour un boulon 1/4 po (pi-lb)	2
Couple maximum pour un boulon 3/8 po (pi-lb)	4

### Fonctionnement dans l'acier

La performance de la fixation à charge explosive lorsqu'elle est installée dans des matériaux de base en acier est basée selon les facteurs suivants :

- Épaisseur de l'acier
- La résistance à la traction de l'acier
- Le diamètre de la tige de la fixation
- La profondeur du point de pénétration dans l'acier
- L'espacement entre les fixations et la distance du bord

Lorsqu'une fixation à charge explosive est enfoncée dans l'acier, elle déplace l'acier latéralement de 360° autour de la tige de la fixation. Étant donné que l'acier est un matériau élastique, il se comprime contre la tige de la fixation pour la maintenir en place.

Comme le diamètre de la tige de la fixation est augmenté, la capacité de la charge obtenue augmentera généralement

à condition que l'épaisseur de l'acier soit suffisante pour accepter la fixation. Pour augmenter la performance des fixations dans l'acier, certaines fixations ont une tige moletée ce qui permet à l'acier de former un verrou dans les rainures afin d'offrir des capacités plus élevées que celles obtenues avec une tige lisse. Pour une performance optimale, le point de fixation doit pénétrer complètement l'acier. Normalement, un minimum 6,5 mm (1/4 po) est prévu pour longueur du point. Une augmentation de la performance peut être prévue jusqu'à ce que la fixation ne pénètre plus complètement à travers l'acier. À ce stade, les propriétés élastiques de l'acier causent une force de compression qui sera développée dans un angle contre le point de fixation ce qui réduit la capacité de la charge. Dans des matériaux de base en acier plus épais, les capacités des charges peuvent être obtenues pour des applications dans lesquelles le point de fixation ne pénètre pas entièrement l'acier. Des tests de performance sur le lieu de travail sont recommandés. Les fixations ne doivent pas être utilisées dans des zones ayant été soudées ou coupées avec une torche puisque ces procédures ont pu causer le durcissement local de l'acier. Il faut éviter de trop enfoncer la fixation puisque le rebond créé peut réduire la capacité de la charge ou endommager la fixation. Lorsque vous fixez dans des éléments en acier longs non pris en charge, il peut être nécessaire de fournir un soutien dans la zone de fixation afin d'éviter l'action de ressort qui peut causer une pénétration inconsistante et une réduction de la capacité de la charge.

### Installation dans l'acier

Les directives suivantes sont basées sur l'installation d'une fixation dans de l'acier de construction ASTM A 36 avec le point pénétrant entièrement l'élément en acier. L'épaisseur du matériau en acier recommandée varie d'un minimum de 3 mm (1/8 po) à un maximum de 9,5 mm (3/8 po). Pour une utilisation dans de l'acier de construction à force plus élevée, les applications où le point ne pénètre pas l'élément en acier ou une épaisseur d'acier supérieure à 9,5 mm (3/8 po), des tests de performance sur le lieu de travail sont recommandés.

### Épaisseur du matériau de base

Les matériaux de base en acier doivent avoir une épaisseur minimum de 3 mm (1/8 po).

### Distance du bord (Fig. H)

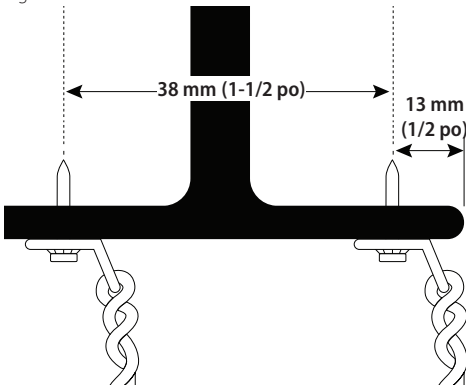
Pour des installations en acier A 36, la distance du bord minimum recommandée est de 13 mm (1/2 po).

### Espacement (Fig. H)

La distance minimum recommandée entre les fixations est de 1-1/2 po (38 mm) du centre au centre pour des installations dans de l'acier ASTM A 36.



Fig. H



### Sélection de la longueur des fixations dans l'acier

Pour des applications permanentes lorsque vous utilisez de fixations dans l'acier, déterminez d'abord l'épaisseur du montage à être fixé. À cette fin, ajoutez l'épaisseur du matériau de base en acier plus un minimum de 6,5 mm (1/4 po) afin de permettre une pénétration appropriée du point. Ce sera la longueur minimum de la tige de la fixation requise. Ne pas sélectionner une longueur de fixations plus longue que celle requise pour l'application. Une tige excessivement longue peut lustrer ou polir le trou créé dans l'acier entraînant une réduction de la capacité de la charge. Pour des applications retirables avec des boulons filetés, la longueur de tige requise est égale à l'épaisseur du matériau de base en acier plus un minimum de 6,5 mm (1/4 po) afin de permettre une pénétration appropriée du point. Ce sera la longueur minimum de la tige de la fixation requise. Ne pas sélectionner une longueur de tiges plus longue que celle requise pour l'application. Une tige excessivement longue peut lustrer ou polir le trou créé dans l'acier entraînant une réduction de la capacité de la charge. Pour déterminer la longueur du filet minimum, ajoutez l'épaisseur du montage et l'épaisseur de l'écrou/la rondelle. L'épaisseur de l'écrou et de la rondelle est égale au diamètre de filet nominal.

Ne pas trop serrer les boulons filetés. L'utilisation d'un dispositif de réglage de l'écrou est recommandée pour réduire la possibilité de trop serrer les fixations. Pour des applications importantes, effectuez un test sur le lieu de travail.

### Test de fonctionnement quotidien

**AVERTISSEMENT** : ce test doit être effectué sans fixation ou charge explosive dans l'outil.

Testez plusieurs fois le pistolet pour plafonds en l'appuyant complètement sur surface dure. Vous devriez entendre un clic audible lorsque le percuteur se déclenche. Relâchez l'outil et assurez-vous que l'ensemble canon est ouvert à la position de démarrage. Ensuite, placez l'outil, en le pointant vers le bas, sur une surface dure et appuyez complètement et fermement l'outil. Vous ne devez pas entendre le percuteur se déclencher. Si le percuteur se déclenche, cessez

d'utiliser l'outil. Ne pas tenter d'utiliser l'outil jusqu'à ce que des réparations appropriées aient été effectuées.

### Charger l'outil (Fig. I)

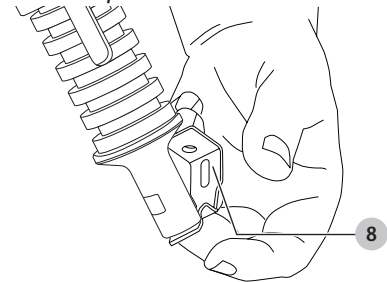
**AVERTISSEMENT** : chargez toujours la fixation avant d'insérer ou avancer la bande de charges explosives afin d'empêcher de blesser l'utilisateur ou les passants en cas de décharge accidentelle.

**AVERTISSEMENT** : chargez SEULEMENT une fixation à la fois. Vérifiez toujours afin de vous assurer qu'il n'y a pas déjà une fixation chargée avant de charger l'outil

1. Assurez-vous qu'il n'y a aucune charge explosive dans l'outil.
2. Placez la fixation, la pointe vers l'extérieur, dans l'extrémité du nez jusqu'à ce que l'extrémité cannelée se place à l'intérieur. Ne pas utiliser de force excessive lorsque vous insérez la fixation. Si une force excessive est requise, arrêtez et déterminez la raison pour laquelle la fixation ne peut pas être insérée. Corrigez le problème avant de continuer.

**REMARQUE** : Si un ensemble de fixation **8** est utilisé, assurez-vous qu'il est placé dans la section découpée du protecteur contre les éclats. Ne pas utiliser des fixations plus longues que 38 mm (1-1/2 po) comme indiqué dans **Caractéristiques**.

Fig. I



### Fixer (Fig. J-L)

**AVERTISSEMENT** : ne pas tenter de fermer l'outil en exerçant une force à l'avant du canon. Ne jamais placer vos doigts ou vos mains sur l'extrémité de la bouche de l'outil. Les mains ne doivent jamais être placées à l'avant de la bouche ou du canon de l'outil. En cas de décharge accidentelle, le piston et/ou la fixation peuvent causer une blessure grave à la main de l'utilisateur.

**AVERTISSEMENT** : utilisez toujours un protecteur contre les éclats **7** lorsque possible. Cela limitera la possibilité d'un ricochet des fixations qui pourrait entraîner une blessure grave ou la mort de l'utilisateur ou des passants.

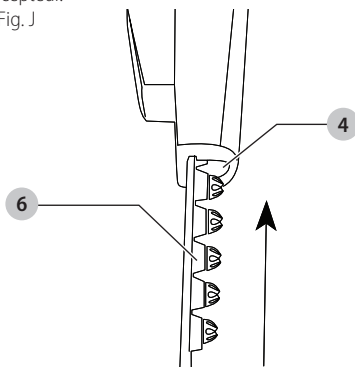
**AVERTISSEMENT** : placez toujours le guidage de la bande du pistolet **4** loin de vous et des passants lorsque vous activez l'outil.

**AVERTISSEMENT** : utilisez seulement des tiges de sécurité DeWALT pour un fonctionnement approprié et sécuritaire.

## FRANÇAIS

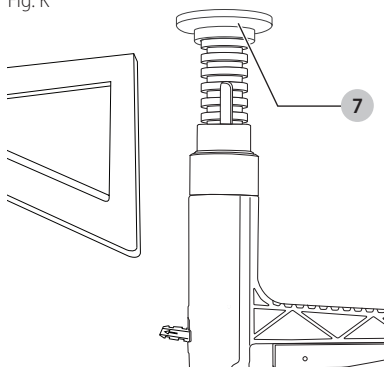
1. Pointez toujours l'outil vers une direction sécuritaire à l'écart des passants et de l'utilisateur.
2. Insérez un assemblage de fixation dans la bouche comme il est décrit dans **Charger l'outil**.
3. Insérez une bande de charges **6** dans le guidage de la bande du pistolet **4** en bas de la poignée **3** et poussez jusqu'à ce que votre doigt soit fermement en contact avec l'encoche de la poignée. Ne jamais tenter d'insérer une bande de charges dans l'outil à partir du dessus du récepteur.

Fig. J



4. Levez soigneusement l'outil vers le plafond et appuyez sur l'assemblage canon où la fixation doit être effectuée. Tenez l'outil de façon perpendiculaire et poussez avec force sur la poignée de la tige vers le haut afin de comprimer le ressort du percuteur et relâcher la gâchette pour faire tirer l'outil. Si l'outil ne tire pas, continuez à le maintenir en place pendant au moins 30 secondes, puis suivez la procédure des ratés. Consultez **Défaut de fonctionnement de l'outil**. Pointez toujours l'outil dans une direction sécuritaire et faites attention lorsque vous le levez au plafond de heurter des objets qui pourraient entraîner l'outil à tirer.

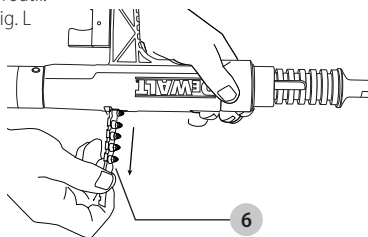
Fig. K



5. Baissez l'outil, gardez-le pointer dans une direction sécuritaire et insérez la fixation ou l'assemblage suivant. **REMARQUE** : Le piston est automatiquement réinitialisé pour la fixation suivante. Après avoir inséré la fixation dans la bouche, compressez levier d'avancement de la bande de charges **5** pour préparer la prochaine fixation.

6. Une fois que les 10 charges de la bande ont été tirées, tirez la bande de charges **6** utilisée du dessus de l'outil. **NE JAMAIS** tenter de tirer une bande de charges du bas de l'outil.

Fig. L



7. Si vous travaillez dans un endroit où de la saleté ou des débris peuvent tomber sur l'outil pendant que vous effectuez des fixations, vérifiez souvent l'outil afin de vous assurer que la douille de la bouche et la glissière de la bande de charges sont dégagées.

## Utiliser des bandes de charges partiellement usées

La conception du pistolet 52051 fait en sorte que la charge suivante qui sera tirée est indexée manuellement en position de tir en comprimant le levier d'avancement de la bande de charges **5**, tirant et ouvrant la séquence de fonctionnement de l'outil. S'il est nécessaire d'utiliser une bande de charges partiellement usée, l'extrémité de la bande comportant des charges vives doit être placée en bas de la poignée de l'outil comme si c'était une nouvelle bande. En comptant le nombre de charges non tirées dans la bande avant de l'insérer et en les comptant au fur et à mesure que vous effectuez des fixations, on peut facilement déterminer le moment où toutes les charges auront été utilisées.

## MAINTENANCE

**AVERTISSEMENT** : afin de réduire le risque de blessure corporelle, éteignez l'appareil et avant d'effectuer tout ajustement ou de retirer/installer des pièces ou des accessoires. Un déclenchement accidentel du démarrage peut causer des blessures.

## Nettoyage

**AVERTISSEMENT** : enlever les saletés et la poussière hors des événements au moyen d'air comprimé propre et sec, au moins une fois par semaine. Pour minimiser le risque de blessure aux yeux, toujours porter une protection oculaire conforme à la norme ANSI Z87.1 lors du nettoyage.

**AVERTISSEMENT** : ne jamais utiliser de solvants ni d'autres produits chimiques puissants pour nettoyer les pièces non métalliques de l'outil. Ces produits chimiques peuvent affaiblir les matériaux de plastique utilisés dans ces pièces. Utiliser un chiffon humecté uniquement d'eau et de savon doux. Ne jamais laisser de liquide pénétrer dans l'outil et n'immerger aucune partie de l'outil dans un liquide.

Nettoyez quotidiennement l'outil. Assurez-vous toujours que l'outil n'est pas chargé avant d'effectuer tout service ou toute réparation et portez toujours des lunettes de sécurité avant de nettoyer ou d'entretenir.

### Nettoyage normal

Toutes les parties des extrémités avant dans la section de désassemblage doivent être nettoyé quotidiennement avec une bonne huile détergente et une brosse métallique. Retirez toute la saleté et l'accumulation de carbone et essuyez les pièces avec un chiffon propre. Vérifiez toutes les pièces pour de l'usure ou des dommages avant de réassembler et de remplacer ou réparer toute pièces usées ou endommagées.

### Effectuer le nettoyage / l'entretien général

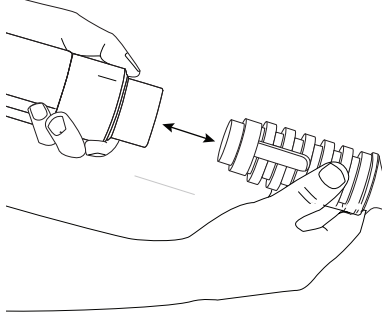
Une exposition intense ou constante à la saleté et aux débris peut nécessiter un nettoyage plus en profondeur de l'outil. Un désassemblage et un nettoyage complets de toutes les pièces peuvent être nécessaires pour rétablir le fonctionnement normal de l'outil. L'entretien général doit être effectué tous les six mois ou plus souvent si l'outil est soumis à un usage très fréquent. Contactez votre distributeur DEWALT autorisé pour de l'aide.

### Désassembler l'outil (Fig. M–P)

**⚠ AVERTISSEMENT :** effectuez toujours un test de fonctionnement quotidien avant d'utiliser l'outil et après un nettoyage ou un entretien.

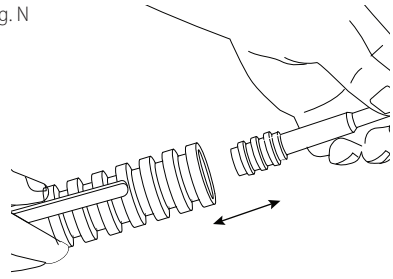
1. Dévissez et retirez l'écrou de retenue du canon. Manipulez soigneusement l'outil une fois que le collier est dévissé afin d'empêcher les deux butées de tomber.
2. Poussez l'embout vers l'avant, maintenez et retirez les deux butées de fentes de chaque côté du boîtier de l'outil.

Fig. M



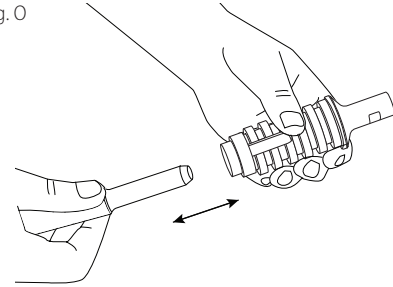
3. Glissez l'assemblage du guide du piston et le ressort de rappel hors du corps de l'outil. Notez la position des fentes sur les côtés du canon puisque les butées des cliquets sont insérées dans les fentes du canon dans le boîtier de l'outil dans le réassemblage.

Fig. N



4. Glissez l'assemblage du guide du piston et le ressort de rappel hors du corps de l'outil. Notez la position des fentes sur les côtés du canon puisque les butées des cliquets sont insérées dans les fentes du canon dans le boîtier de l'outil dans le réassemblage.

Fig. O



5. Retirez le piston du canon.

Fig. P



6. Retirez la butée et le support de la butée de l'assemblage du piston. Inspectez toutes les pièces pour de l'usure due à des dommages et nettoyez ou remplacez au besoin. Utilisez un solvant nettoyant et des brosses nettoyantes pour enlever la saleté et les résidus de poudre. Essuyez toutes les pièces avant de réassembler. Portez des lunettes de sécurité avant de nettoyer les pièces de l'outil.
7. Vérifiez la pointe du piston pour des dommages et le meulage à plat. La pointe du piston doit être à un angle de 90° de la tige. Le meulage doit seulement être effectué par du personnel qualifié. La longueur totale minimale du piston ne doit pas être inférieure à une longueur de 124 mm (4-7/8 po). Lorsque le piston a une longueur inférieure à 124 mm (4-7/8 po), il doit être remplacé.
8. Réassemblez l'outil dans l'ordre inverse du désassemblage. Lorsque vous glissez le guide et le ressort du piston dans le boîtier, alignez la fente du canon avec celle du boîtier de l'outil et installez les deux butées et l'écrou du revêtement en acier.

## Accessoires



**AVERTISSEMENT :** *puisque les accessoires autres que ceux offerts par DeWALT n'ont pas été testés avec ce produit, leur utilisation pourrait s'avérer dangereuse. Pour réduire le risque de blessures, utiliser exclusivement les accessoires DeWALT recommandés avec le présent produit.*

Les accessoires recommandés pour cet outil sont vendus séparément au centre de service de votre région. Pour obtenir de l'aide concernant l'achat d'un accessoire, communiquer avec DeWALT Industrial Tool Co., 701 East Joppa Road, Towson, MD 21286 aux États-Unis, composer le 1 800 433-9258 (1 800 4-DeWALT) ou visiter notre site Web : [www.dewalt.com](http://www.dewalt.com).

Outil à tige 6 pi pour pistolet 52053

Outil à tige 8 pi pour pistolet 52061

## Réparations



**AVERTISSEMENT :** *pour assurer la SÉCURITÉ et la FIABILITÉ du produit, les réparations, l'entretien et les réglages doivent être réalisés (cela comprend l'inspection et le remplacement du balai, le cas échéant) par un centre de réparation en usine DeWALT ou un centre de réparation agréé DeWALT. Toujours utiliser des pièces de rechange identiques.*

## Registre en ligne

Merci pour votre achat. Enregistrez dès maintenant votre produit.

- **RÉPARATIONS SOUS GARANTIE:** cette carte remplie vous permettra de vous prévaloir du service de réparations sous garantie de façon plus efficace dans le cas d'un problème avec le produit.
- **CONFIRMATION DE PROPRIÉTÉ:** en cas de perte provoquée par un incendie, une inondation ou un vol, cette preuve de propriété vous servira de preuve auprès de votre compagnie d'assurances.
- **SÉCURITÉ:** l'enregistrement de votre produit nous permettra de communiquer avec vous dans l'éventualité peu probable de l'envoi d'un avis de sécurité régi par la loi fédérale américaine de la protection des consommateurs.

Registre en ligne à [www.dewalt.com/register](http://www.dewalt.com/register)

## Garantie limitée de trois ans

DeWALT réparera ou remplacera sans frais tout appareil défectueux pour cause de défaut de matériau ou de main-d'œuvre sur une période de trois ans à partir de la date d'achat de l'outil. Cette garantie ne couvre pas les pièces en panne pour cause d'abus ou d'usure normale de l'outil. Pour plus de détails au sujet de la couverture de la garantie et l'information de réparation sous garantie, visitez [www.dewalt.com](http://www.dewalt.com) ou composez le 1-800-4-DeWALT (1-800-433-9258). Cette garantie ne s'applique pas aux accessoires ou dommages causés par des réparations effectuées ou tentées par d'autres. CETTE GARANTIE REMPLACE TOUTES LES AUTRES, INCLUANT LES

GARANTIES IMPLICITES DE LA QUALITÉ MARCHANDE ET L'APTITUDE POUR UN BUT PARTICULIER, ET EXCLUT TOUS LES DOMMAGES ACCIDENTELS OU CONSÉCUTIFS. Certaines provinces ne permettent pas de limitation sur la durée de la garantie implicite ou l'exclusion ou la limitation de dommages indirects, alors ces limitations peuvent ne pas s'appliquer à vous. Cette garantie vous donne des droits légaux particuliers et vous pouvez avoir d'autres droits qui varient selon les états ou les provinces.

En plus de la présente garantie, les outils DeWALT sont couverts par notre

### CONTRAT D'ENTRETIEN GRATUIT D'UN AN

DeWALT entretiendra l'outil et remplacera les pièces usées au cours d'une utilisation normale et ce, gratuitement, pendant une période d'un an à compter de la date d'achat.

### GARANTIE DE REMBOURSEMENT DE 90 JOURS

Si l'acheteur n'est pas entièrement satisfait, pour quelque raison que ce soit, du rendement de l'outil électrique ou de la cloueuse DeWALT, celui-ci peut le retourner, accompagné d'un reçu, dans les 90 jours à compter de la date d'achat pour obtenir un remboursement intégral, sans aucun problème.

**AMÉRIQUE LATINE :** cette garantie ne s'applique aux produits vendus en Amérique latine. Pour ceux-ci, veuillez consulter les informations relatives à la garantie spécifique présente dans l'emballage, appeler l'entreprise locale ou consulter le site Web pour les informations relatives à cette garantie.

### REMPLACEMENT GRATUIT DES ÉTIQUETTES

**D'AVERTISSEMENT :** si les étiquettes d'avertissement deviennent illisibles ou sont manquantes, composer le 1-800-4-DeWALT (1-800-433-9258) pour en obtenir le remplacement gratuit.

## DÉPANNAGE

### ASSUREZ-VOUS DE SUIVRE LES RÈGLES DE SÉCURITÉ ET LES INSTRUCTIONS

Pour obtenir de l'aide au sujet du produit, visitez notre site Web au [www.dewalt.com](http://www.dewalt.com) pour une liste des centres de services ou téléphonez DeWALT au 1-800-4-DeWALT (1-800-433-9258).

PROBLÈME	CAUSE POSSIBLE	SOLUTION
Fixation trop enfoncée.	Niveau de puissance trop élevé / fixation trop courte.	Utilisez niveau de charge explosive inférieure ou une fixation plus longue.
	Matériau de base mou.	Vérifiez la section sur la capacité du matériau de base.
L'outil ne tire pas.	L'outil n'est pas complètement enfoncé.	Comprimez entièrement l'outil avant d'appuyer sur la gâchette. Contactez un centre de services DeWALT autorisé pour faire vérifier et/ou réparé.
	Percuteur endommagé.	Remplacez la (les) pièce(s) endommagée(s).
L'outil n'enfoncé pas complètement.	Pièces du percuteur, éjecteur, etc. endommagés. Assemblage des pièces inapproprié.	Vérifiez les pièces pour les dommages ou un assemblage inapproprié.
Réduction de la puissance ou pénétration des fixations inconsistante.	Le piston ne revient pas entièrement en raison du matériau de base mou.	Réassemblez le piston et le nez. Évitez les matériaux mous comme le bois, etc.
	Piston ou butée usé ou endommagé.	Remplacez le piston ou butée.
	Piston plié ou endommagé.	Retirez et remplacez le piston.
La bande de charges ne peut être insérée dans l'outil.	Chargement inapproprié.	Insérez la bande à partir du bas de la poignée de l'outil.
	Mauvais calibre de bande.	Utilisez seulement des bandes de charges de calibre .27.
La bande de charges n'avance pas.	Guide du levier avant usé.	Remplacez le guide du levier avant. Cela doit être effectué par des personnes qualifiées.
La charge se sépare de la bande de charges.	Taux de fixations excessif.	Cessez immédiatement d'utiliser l'outil et contactez un centre de services DeWALT autorisé pour le faire vérifier et/ou réparer. Retirez la bande de charges explosives et laissez l'outil se refroidir.
La bande de charges ne peut pas être retirée.	Accumulation de résidus de combustion.	Contactez un centre de services DeWALT autorisé pour faire vérifier et/ou réparer l'outil.
	Les températures peuvent devenir trop élevées en raison de la fréquence d'utilisation.	Laissez l'outil se refroidir. Si le problème persiste, contactez un centre de services DeWALT autorisé pour faire vérifier et/ou réparer l'outil.
La charge ne tire pas lorsque l'outil est complètement enfoncé et que vous avez appuyé sur la gâchette.	La charge a déjà été tirée.	Réenclenchez l'outil.
	L'outil a des ratés.	Suivez la procédure de sécurité.
	Percuteur brisé.	Remplacez l'écrou du percuteur. Cela doit être effectué par des personnes qualifiées.
	Écrou du percuteur brisé ou manquant.	Remplacez l'écrou du percuteur. Cet écrou du percuteur doit être installé par des personnes qualifiées.
L'outil ne peut être ouvert ou réenclenché	Manque de nettoyage approprié.	Nettoyez l'outil en profondeur.
	Piston plié ou endommagé.	Retirez et remplacez le piston.
	Pièces brisées ou endommagées.	Étiquetez l'outil avec l'avertissement « Défectueux - Ne pas utiliser », placez-le dans un contenant verrouillé et contactez votre représentant autorisé des DeWALT pour le faire réparer.
Piston coincé en position avant.	Le piston a été trop enfoncé et il est coincé dans le canon.	Tapotez le piston contre une surface dure. Réassemblez et ajustez la puissance/charge pour éviter de trop enfoncer une fixation. Évitez les matériaux de base mou.
La bande de charges explosives fond	Les températures peuvent devenir trop élevées en raison de la fréquence d'utilisation.	Réduisez la fréquence d'utilisation. Retirez la bande de charges explosives et laissez l'outil se refroidir.
	L'outil a été comprimé et tenu trop longtemps avant de tirer.	Comprimez l'outil moins longtemps avant de tirer. Retirez la bande de charges explosives et laissez l'outil se refroidir.

## EXAMEN POUR L'UTILISATEUR DE L'OUTIL QUALIFIÉ

Nom de l'utilisateur \_\_\_\_\_ Date \_\_\_\_\_

Adresse de domicile \_\_\_\_\_  
\_\_\_\_\_

Date de naissance \_\_\_\_\_ Âge \_\_\_\_\_

Nom de l'entreprise \_\_\_\_\_

Adresse de l'entreprise \_\_\_\_\_  
\_\_\_\_\_

Numéro de téléphone de l'entreprise \_\_\_\_\_

Signature \_\_\_\_\_ Date \_\_\_\_\_

### Cochez la bonne réponse.

1. Il est nécessaire de lire le guide d'utilisation avant d'utiliser le pistolet à masselotte DEWALT.

- Vrai  
 Faux

2. Lorsque vous effectuez une fixation dans du béton, le matériau de base doit être supérieur à la pénétration de la tige d'au moins :

- 1 fois  
 2 fois  
 3 fois

3. Lorsque vous utilisez un pistolet, votre doit ne jamais être placée :

- Autour du corps de l'outil  
 À l'avant de la bouche de l'outil  
 Sur la poignée de l'outil

4. Pour déterminer la capacité du matériau de base, utilisez la fixation comme un pointeau.

Si la fixation est émoussée, ne pas fixer; le matériau est trop :

- Mou  
 Dur  
 Effrité

Si la fixation pénètre facilement, ne pas fixer; le matériau est trop :

- Mou  
 Dur  
 Effrité

Si le matériau craque ou vole en éclats, ne pas fixer; le matériau est trop :

- Mou  
 Dur  
 Effrité

5. Des applications non sécuritaires des pistolets peuvent être causées par lequel des éléments suivants?

- Un matériau de base mou  
 Une charge explosive inappropriée  
 La fixation est trop près du bord non soutenu  
 Un outil qui fonctionne mal  
 La fixation est dans une zone effritée  
 Vous fixez dans un trou déjà existant  
 Toutes ces réponses

6. Lequel des matériaux de construction suivants ne convient pas comme matériaux de réception (matériau de base) pour les fixations à charges explosives?

- Plaque de plâtre  
 Bois  
 Fibre de verre  
 Tôle  
 Toutes ces réponses

7. Lorsqu'il songe à la sécurité d'une application particulière, l'utilisateur doit penser :

- Au matériau de base  
 Au niveau de puissance de la charge explosive  
 À la sécurité de l'utilisateur  
 À la sécurité des passants et des collègues de travail  
 Toutes ces réponses

8. La procédure de chargement appropriée est : insérez d'abord la fixation, puis la charge explosive. La fixation doit toujours être placée dans l'outil avant la charge.

- Vrai  
 Faux

9. Lequel des matériaux suivants est convient généralement pour les fixations à charges explosives?

- Le béton coulé  
 La tuile creuse  
 L'acier à surface renforcée  
 La brique émaillée

10. Dans le béton, une fixation doit être enfoncée pas plus près d'un bord non soutenu que

- 13 mm (1/2 po)  
 38 mm (1-1/2 po)  
 76 mm (3 po)

11. La formation d'un crochet est un état qui se produit lorsqu'une fixation à charge explosive frappe un morceau d'agrégat dur ou de béton très dur, plie et sort de la surface de travail. Ce crochet peut entraîner des blessures graves ou la mort.

- Vrai  
 Faux

12. Placer une main sur la bague de la bouche d'un outil chargé peut entraîner une blessure grave en raison d'un piston trop enfoncé ou une fixation s'échappant si l'outil est déchargé accidentellement.

- Vrai  
 Faux

13. Pun piston trop enfoncé est causé trop de puissance de l'outil ou par le déchargement de l'outil contre une surface molle.
- Vrai  
 Faux
- 
14. Les outils qui fonctionnent mal ne peuvent pas être utilisés et doivent être immédiatement retirés.
- Vrai  
 Faux
- 
15. Après avoir effectué un test avec un pointeau, la meilleure façon de vérifier le matériau de base est régler plusieurs fixations en ayant recours à la charge la moins puissante.
- Vrai  
 Faux
- 
16. Les lunettes de sécurité et une protection auditive ne doivent pas être portées par l'utilisateur et toute personne essentielle lors de l'utilisation de l'outil.
- Vrai  
 Faux
- 
17. Un pistolet ne peut être utilisé de façon sécuritaire en atmosphère explosive ou inflammable.
- Vrai  
 Faux
- 
18. Énumérez le numéro (1 à 6) du niveau de charge explosive approprié près de chaque couleur énumérée.
- \_\_\_ Rouge  
\_\_\_ Brun  
\_\_\_ Vert  
\_\_\_ Jaune  
\_\_\_ Gris  
\_\_\_ Violet
- 
19. Le niveau de puissance le plus faible doit être utilisé lorsque vous effectuez la première fixation.
- Vrai  
 Faux
- 
20. Vous pouvez fixer dans des zones soudées d'acier.
- Vrai  
 Faux
- 
21. En activant l'outil, le guidage de la bande du pistolet doit toujours être placé loin :
- De vous  
 De vous et des passants  
 Des passants
- 
22. Activer l'outil trop rapidement et le laisser à l'état de compression trop longtemps avant d'activer entraînera la fonte de la bande ou la séparation de la charge de la bande de charges :
- Vrai  
 Faux  
 Seulement l'activation trop rapide de l'outil entraînera la fonte de la bande ou la séparation de la charge de la bande de charges.

### 52051

La procédure appropriée si le charge explosive ne réussit pas à s'allumer est maintenir l'outil contre la surface

de travail et d'attendre 30 secondes, puis de procéder exactement comme indiqué dans le guide d'utilisation.

- Vrai  
 Faux

Les charges explosives des fixations DEWALT pour le pistolet 52051 sont des cartouches serties à tirs courts avec une jante de calibre 0,27 dans des magasins en plastique. Aucune autre charge explosive ne peut être utilisée dans cet outil.

- Vrai  
 Faux

Les utilisateurs ne doivent jamais comprimer le pistolet 52051 ou tout autre pistolet contre toute partie de leur corps.

- Vrai  
 Faux

## ACTIVATION DE LA LICENCE

Je certifie que j'ai lu et que je comprends le guide d'utilisation du pistolet 52051 et que j'ai passé l'examen pour l'utilisateur de l'outil qualifié. Je comprends l'importance de suivre toutes les procédures de sécurité et que ne pas lire, comprendre et suivre les règles et avertissements détaillés concernant une utilisation sécuritaire des pistolets peut entraîner une blessure grave ou la mort de l'utilisateur de l'outil ou des passants. J'accepte de me conformer à toutes les règles et à tous les règlements concernant l'utilisation des pistolets. (En caractères d'imprimerie clairs S.V.P.)

Numéro de série sur l'outil

### Veillez envoyer ma licence à :

Nom

---

Adresse

---



---

Ville

Province

---

Code postal

Téléphone

---

Envoyez l'examen par la poste à : Tool License Coordinator  
Stanley Black & Decker  
2 Powers Lane  
Brewster, NY 10509

## Definiciones: Símbolos y Palabras de Alerta de Seguridad

Este manual de instrucciones utiliza los siguientes símbolos y palabras de alerta de seguridad para alertarle de situaciones peligrosas y del riesgo de lesiones corporales o daños materiales.



**PELIGRO:** Indica una situación de peligro inminente que, si no se evita, provocará **la muerte o lesiones graves**.



**ADVERTENCIA:** Indica una situación de peligro potencial que, si no se evita, **podría provocar la muerte o lesiones graves**.

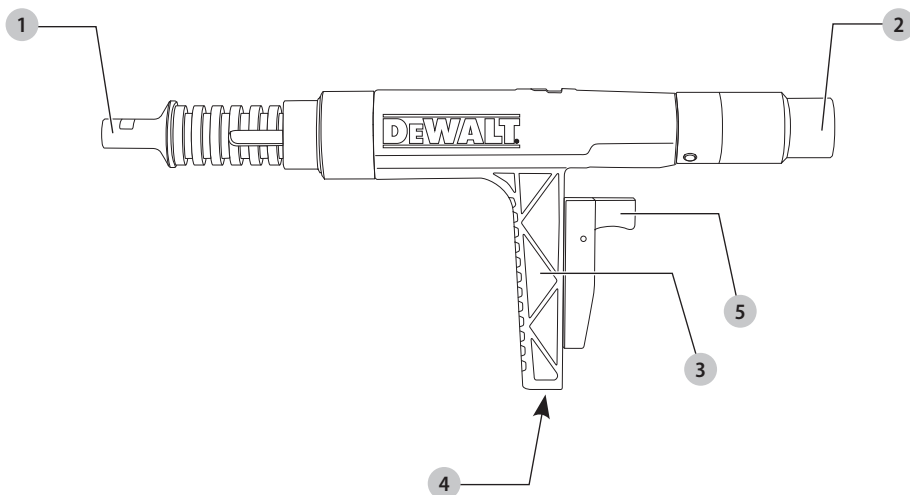


**ATENCIÓN:** Indica una situación de peligro potencial que, si no se evita, **posiblemente provocaría lesiones leves o moderadas**.



(Utilizado sin palabras) indica un mensaje de seguridad relacionado.

**AVISO:** Se refiere a una práctica **no relacionada a lesiones corporales** que de no evitarse **puede resultar en daños a la propiedad**.



- 1 Cañón
- 2 Interruptor de seguridad
- 3 Manija
- 4 Guía de tira de pólvora
- 5 Palanca de avance de tira de carga



**ADVERTENCIA:** Lea todas las advertencias de seguridad e instrucciones. El incumplimiento de las advertencias e instrucciones puede provocar descargas eléctricas, incendios o lesiones graves.



**ADVERTENCIA:** Para reducir el riesgo de lesiones, lea el manual de instrucciones.

Si tiene alguna duda o algún comentario sobre ésta u otra herramienta DeWALT llámenos al número gratuito: (1-800-433-9258).



## Herramienta Superior de Pólvora de Francotirador 52051

### ADVERTENCIAS DE SEGURIDAD GENERALES DE HERRAMIENTA ACTIVADA POR PÓLVORA



**¡ADVERTENCIA!** Lea todas las advertencias de seguridad e instrucciones. La falla en seguir las advertencias e instrucciones puede resultar en lesiones serias.

### CONSERVE TODAS LAS ADVERTENCIAS E INSTRUCCIONES PARA FUTURAS CONSULTAS

El término "herramienta eléctrica" incluido en las advertencias hace referencia a las herramientas eléctricas operadas con corriente (con cable eléctrico) o a las herramientas eléctricas operadas con baterías (inalámbricas).

#### 1) Seguridad en el Área de Trabajo

- Mantenga el área de trabajo limpia y bien iluminada.** Las áreas abarrotadas y oscuras propician accidentes.
- No opere herramientas accionadas por pólvora en atmósferas explosivas, como en la presencia de líquidos, gases o polvo inflamables.** Las herramientas accionadas por pólvora crean chispas que pueden encender el polvo o los humos.
- Mantenga alejados a los niños y a los transeúntes mientras opera una herramienta accionada por pólvora.** Las distracciones pueden hacer que pierda el control.

#### 2) Seguridad Personal

- Permanezca alerta, observe lo que está haciendo y use el sentido común cuando opere una herramienta accionada por pólvora. No use la herramienta accionada por pólvora cuando esté cansado o bajo la influencia de drogas, alcohol, o medicamentos.** Un momento de falta de atención mientras opera herramientas accionadas por pólvora puede resultar en lesiones personales serias.
- Use equipo de protección personal. Siempre use protección para los ojos.** Los equipos de protección, como máscaras antipolvo, calzado de seguridad antideslizante, casco o protección para los oídos, utilizados para las condiciones adecuadas reducirán las lesiones personales.
- Evite la activación no intencional. Asegúrese que la herramienta no esté presionada o atascada antes de insertar los sujetadores o de instalar cargas de pólvora.** Llevar herramientas accionadas por pólvora con el dedo en el gatillo o presionando la punta invita a accidentes.
- Retire todas las herramientas utilizadas para ajustes o mantenimiento antes de usar la herramienta accionada por pólvora.** Una llave de tuercas o llave dejada unida a una

herramienta accionada por pólvora puede ocasionar lesiones personales.

- No se estire. Mantenga una base de apoyo y equilibrio adecuados en todo momento. Siempre asegúrese que su cuerpo esté bien apoyado y estable antes de activar la herramienta accionada por pólvora.** Esto permite un mejor control de la herramienta accionada por pólvora en situaciones inesperadas.
- Vístase apropiadamente. No use ropa holgada o joyería. Mantenga su cabello, ropa, y guantes alejados de las partes móviles.** La ropa suelta, joyería, o cabello largo podrían quedar atrapados en las partes móviles.

#### 3) Uso y Cuidado de Herramienta Accionada por Pólvora

- No fuerce la herramienta accionada por pólvora. Use la herramienta accionada por pólvora correcta para su aplicación.** La herramienta accionada por pólvora hará el trabajo mejor y con más seguridad en la velocidad para la que está diseñada.
- Nunca exceda los 700 sujetadores/hora.** La herramienta se calentará, exponiendo al usuario a quemaduras menores o graves y puede hacer que la herramienta se atasque.
- No use la herramienta accionada por pólvora si la herramienta no se puede presionar.** Cualquier herramienta accionada por pólvora que no se pueda controlar es peligrosa y debe repararse.
- Retire las cargas de pólvora y los sujetadores de la herramienta accionada por pólvora antes de hacer cualquier ajuste, cambiar los accesorios, transportar o guardar las herramientas.** Dichas medidas preventivas de seguridad reducen el riesgo de accionamiento accidental de la herramienta accionada por pólvora.
- Guarde las herramientas accionadas por pólvora inactivas fuera del alcance de los niños y no permita que personas que no estén familiarizadas con la herramienta accionada por pólvora o estas instrucciones operen la herramienta accionada por pólvora.** Las herramientas accionadas por pólvora son peligrosas en manos de usuarios no capacitados.
- Dé mantenimiento a las herramientas accionadas por pólvora. Compruebe si hay desalineación o atascamiento de las piezas móviles, ruptura de partes y cualquier otra condición que pueda afectar la operación de la herramienta accionada por pólvora. Si está dañada, haga reparar la herramienta accionada por pólvora antes de usarla.** El mantenimiento adecuado de la herramienta accionada por pólvora

puede ayudar a evitar un accidente que pueda causar una lesión.

- g) **Utilice la herramienta accionada por pólvora, los accesorios y las brocas, etc., de acuerdo con estas instrucciones, teniendo en cuenta las condiciones de trabajo y el trabajo que se realizará.** El uso de la herramienta accionada por pólvora para operaciones diferentes a las previstas podría ocasionar una situación peligrosa.

#### 4) Servicio

- a) **Pida que una persona de reparación calificada dé servicio a la herramienta accionada por pólvora usando únicamente partes de reemplazo idénticas.** Esto garantizará que se mantenga la seguridad de la herramienta accionada por pólvora.

### Reglas de Seguridad Adicionales para Herramientas de Sujeción Accionadas por Pólvora



**ADVERTENCIA:** Antes de operar la herramienta, estudie este manual cuidadosamente y desarrolle una comprensión profunda del contenido. Se debe completar la capacitación adecuada de acuerdo con la norma actual ANSI A 10.3. Requisitos de seguridad para los sistemas de sujeción activados por pólvora y se debe obtener una tarjeta de operador calificado por DEWALT antes de utilizar la herramienta. También se deben seguir las regulaciones estatales, locales u otras. Las leyes, regulaciones y normas con respecto al uso de herramientas accionadas por pólvora pueden revisarse periódicamente. Cualquiera de estas revisiones puede cambiar los procedimientos de seguridad y operación descritos en este manual. DEWALT no se hace responsable de las revisiones que se produzcan después de la publicación de este manual. Es responsabilidad del usuario mantenerse familiarizado con las leyes, regulaciones y normas vigentes que se aplican a la herramienta accionada por pólvora.



**PELIGRO:** Para evitar lesiones graves o la muerte:

- Nunca cierre la herramienta con ninguna parte de la mano sobre el extremo del cañón.
- Los operadores y transeúntes deben usar protección para los ojos y oídos.
- Siempre asuma que la herramienta está cargada. No avance la tira de carga comprimiendo la palanca de avance de tira de carga de la herramienta cargada hasta que el extremo del cañón esté contra la superficie de trabajo y esté listo para realizar una fijación. Nunca coloque la mano sobre el cañón con una carga de pólvora en la herramienta. Si la herramienta se descarga accidentalmente, el pistón o el sujetador pueden penetrar en la mano y provocar lesiones graves.
- Es muy importante que el operador de esta herramienta lea y comprenda por completo el manual de herramientas completo y complete

el **Examen de operador calificado de herramientas** en las últimas dos páginas de este manual de usuario. La garantía no será válida hasta que se reciba la prueba, con una copia de su recibo, y DEWALT la revisará. Se pueden obtener formularios de examen adicionales llamando al 1-800-4-DEWALT (1-800-433-9258) o descargue un nuevo manual del usuario visitando [www.dewalt.com](http://www.dewalt.com).

### Antes de Operar la Herramienta

- **Un letterero, de por lo menos 20 cm x 25 cm (8" por 10"), con un tipo de letra en negrita que no sea inferior a 2,5 cm (1" de altura, se colocará a plena vista cuando se utilicen herramientas accionadas por pólvora. Se colocará un letterero en el área de uso de la herramienta y en áreas adyacentes al uso de la herramienta donde la penetración de la pared, el piso o la superficie de trabajo pueda representar un peligro. Como mínimo, el letterero debe tener una redacción similar a la siguiente:**

#### **ADVERTENCIA: HERRAMIENTA ACCIONADA POR POLVO EN USO**

- **El operador o transeúnte siempre debe usar gafas de seguridad aprobadas para proteger sus ojos de partículas voladoras.** El operador y los transeúntes siempre deben usar protección auditiva al usar una herramienta accionada por pólvora. También se debe usar otra protección de seguridad personal según se requiera.
- **Nunca modifique ni fabrique partes para usar en su herramienta DEWALT.** Use sólo sujetadores, cargas y partes de herramienta DEWALT.
- **Las manos u otras partes del cuerpo nunca deben colocarse en frente de la boca del cañón/barril.** La descarga accidental puede hacer que el pistón y/o el sujetador pasen a través de la mano del operador.
- **Nunca comprima la herramienta contra ninguna parte del cuerpo.** Se pueden producir lesiones graves o la muerte en caso de una descarga accidental.
- **Siempre apunte la herramienta en una dirección segura en todo momento.**
- **Use la herramienta sólo para su propósito previsto.**

### Preparación para Cargar la Herramienta

- **Las herramientas se deben revisar antes de operar para asegurarse que no estén cargadas total o parcialmente con una carga de pólvora o sujetador.**
- **Accionar la herramienta con dos sujetadores cargados en el cañón causará lesiones personales graves.**
- **Para garantizar un funcionamiento seguro, realice la prueba de función diaria descrita en este manual.** Asegúrese que la herramienta no esté cargada antes de realizar esta prueba.
- **No opere esta herramienta a menos que todas sus partes estén en su lugar y funcionando**

**apropiadamente.** Nunca intente usar una herramienta que no funciona bien. Llame al 1-800-4-DEWALT para asistencia.

- **Nunca adivine sobre la idoneidad de un material base.** Si no está seguro acerca de la idoneidad de un material base, realice una prueba de perforación central.
- **No opere la herramienta hasta que aprenda y entienda el código de color/sistema de numeración utilizado para identificar el nivel de potencia de las cargas de pólvora.**

## Operación de la Herramienta

- **Utilice únicamente sujetadores y cargas de polvo diseñados para esta herramienta proporcionados por DEWALT.**
- **No use herramientas accionadas por pólvora en una atmósfera inflamable o explosiva.**
- **No dispare una herramienta sin un sujetador.**  
El pistón impactará en la superficie de trabajo y posiblemente cause lesiones graves al operador o a las personas presentes junto con daños a la herramienta.
- **No cargue la herramienta hasta que esté listo para realizar una fijación.** Verifique el nivel de carga de potencia antes de insertarlo en la cámara de la herramienta.
- **El sujetador debe cargarse antes de cargar la carga de polvo para evitar lesiones al operador o al espectador en caso de una descarga accidental.**
- **Mantenga la herramienta perpendicular a la superficie de trabajo en todo momento.** Use un protector contra derrames siempre que sea posible. Esto limitará la posibilidad de rebote de los sujetadores, lo que podría causar lesiones graves o la muerte al operador o a los transeúntes.
- **Siempre realice una fijación de prueba con el nivel de carga más ligero y establezca el nivel de potencia más ligero diseñado para su uso en la herramienta.** Si la carga más ligera falla al fijar el sujetador, intente la siguiente carga más alta hasta alcanzar el nivel adecuado. El incumplimiento de este procedimiento puede hacer que el sujetador penetre excesivamente. Si esto ocurre, el sujetador puede penetrar completamente en el material base y causar lesiones graves o la muerte a alguien. Exceder la potencia al sujetador también puede dañar la herramienta, creando un riesgo de seguridad tanto para el operador como para los transeúntes.
- **No sujete en hierro fundido, baldosas, vidrio u otros tipos de materiales frágiles.** Estos materiales pueden romperse y crear fragmentos filosos que pueden causar lesiones.
- **No dispare la herramienta dentro de 76 mm (3") del borde de un material base de concreto o dentro de 13 mm (1/2") del borde de un material base de acero.**
- **No intente instalar un sujetador más cerca de 76 mm (3") a otro sujetador previamente insertado en concreto o 38 mm (1-1/2" en acero.**

- **No sujete en un material de base de concreto menos de 3 veces más grueso que la penetración del sujetador o en un material base de acero más delgado que 3 mm (1/8").**
- **Nunca intente instalar un sujetador en un área agrietada o desmenuzada en el concreto.** Coloque el sujetador al menos a 76 mm (3") de distancia de un área astillada para evitar la posibilidad de que el sujetador se doble y golpee a un operador o transeúnte.
- **No intente instalar sujetadores en áreas que hayan sido soldadas o cortadas con un soplete ya que estos procedimientos pueden haber causado el endurecimiento local del acero.**
- **No ajuste a través de un orificio previamente perforado a menos que se proporcione una guía adecuada.**
- **Si decide no realizar una fijación después de que se cargó la herramienta, siempre debe quitar primero la carga de polvo seguida del sujetador.**
- **Nunca intente anular las características de seguridad de esta herramienta.**
- **Siempre mantenga la manija secas, y sin aceite o grasa.**
- **Siempre revise respecto a cableado eléctrico detrás de la superficie en la que está introduciendo un sujetador antes de activar la herramienta.**
- **La herramienta sólo se puede usar por encima de la cabeza y se debe usar con una herramienta de poste de francotirador DEWALT.**

## Manejo de la Herramienta y Cargas de Pólvora

- **Nunca deje una herramienta cargada o las cargas de pólvora sin supervisión.** Una vez que la herramienta está cargada, realice la fijación de inmediato o descargue la herramienta.
- **Descargue siempre la herramienta antes de que se inicie el trabajo, cambie las piezas, limpie o dé servicio, y cuando la guarde.**
- **Para evitar la descarga accidental de cargas, nunca cargue las cargas de pólvora en el mismo contenedor que los sujetadores u otros objetos duros.**
- **Guarde siempre las cargas de pólvora en los contenedores provistos o en un encerramiento provisto para éstas.** Nunca mezcle los diferentes niveles de potencia. Manténgalos separados en contenedores claramente identificados.
- **Las cargas de pólvora nunca deben usarse en armas de fuego.** Normalmente son más potentes que los cartuchos que se suministran con las armas de fuego.
- **Las herramientas accionadas por pólvora y las cargas de pólvora siempre deben almacenarse bajo llave.** Las herramientas deben descargarse cuando no estén en uso.

- **Guarde el manual de instrucciones, las herramientas de mantenimiento y los accesorios suministrados con la pistola de clavos en la caja.**

### Falla de la Herramienta

- **En el caso de que una carga no se descargue después de que se presione la herramienta, la herramienta debe mantenerse presionada contra la superficie de trabajo durante un mínimo de 30 segundos en caso de una descarga de carga retrasada.** Luego, retire cuidadosamente toda la cinta de carga y deséchela en una lata de agua u otro líquido no inflamable. Nunca intente forzar o levantar una carga de una cámara de herramienta.
- **Nunca deseche las cargas de pólvora sin disparar en un contenedor de basura.**
- **No intente descargar o desensamblar una herramienta atascada, atorada o rota, ya que un manejo inadecuado puede hacer que se descargue y golpee al operador y/o al transeúnte.** Una herramienta atascada se debe apuntar en una dirección segura todo el tiempo. Etiquete y bloquee la herramienta. Llame a su representante DeWALT para obtener la asistencia adecuada.

### Instrucción Adicional de Seguridad



**ADVERTENCIA:** Nunca modifique la herramienta eléctrica, ni tampoco ninguna de sus piezas. Podría producir lesiones corporales o daños.



**ADVERTENCIA:** Use **SIEMPRE** lentes de seguridad. Los anteojos de diario **NO SON** lentes de seguridad. Utilice además una cubrebocas o mascarilla antipolvo si la operación de corte genera demasiado polvo. **SIEMPRE LLEVE EQUIPO DE SEGURIDAD CERTIFICADO:**

- protección ocular ANSI Z87.1 (CAN/CSA Z94.3),
- protección auditiva ANSI S12.6 (S3.19),
- protección respiratoria NIOSH/OSHA/MSHA.



**ADVERTENCIA:** Algunas partículas de polvo generadas al lijar, serrar, esmerilar y taladrar con herramientas eléctricas, así como al realizar otras actividades de construcción, contienen químicos que el Estado de California sabe que pueden producir cáncer, defectos congénitos u otras afecciones reproductivas. Ejemplos de estos químicos son:

- plomo de algunas pinturas en base a plomo,
- polvo de sílice proveniente de ladrillos y cemento y otros productos de albañilería, y
- arsénico y cromo provenientes de madera tratada químicamente.

Su riesgo de exposición a estos químicos varía, dependiendo de la frecuencia con la cual realiza usted este tipo de trabajo. Para reducir su exposición a estas sustancias químicas: trabaje en una zona bien ventilada y llevando equipos de seguridad aprobados, como mascarillas antipolvo especialmente diseñadas para filtrar partículas microscópicas.

- **Evite el contacto prolongado con polvo generado por el lijado, aserrado, pulido, taladrado y otras actividades de construcción. Vista ropas protectoras y lave las áreas de la piel expuestas con agua y jabón.** Si permite que el polvo se introduzca en la boca u ojos o quede sobre la piel, puede favorecer la absorción de productos químicos peligrosos.



**ADVERTENCIA:** La utilización de esta herramienta puede generar polvo o dispersarlo, lo que podría causar daños graves y permanentes al sistema respiratorio, así como otras lesiones. Siempre use protección respiratoria aprobada por NIOSH (Instituto Nacional de Seguridad y Salud en el Trabajo) u OSHA (Administración de Seguridad y Salud en el Trabajo) apropiada para la exposición al polvo. Dirija las partículas en dirección contraria a la cara y el cuerpo.



**ADVERTENCIA:** Siempre lleve la debida protección auditiva personal en conformidad con ANSI S12.6 (S3.19) durante el uso de esta herramienta. Bajo algunas condiciones y duraciones de uso, el ruido producido por este producto puede contribuir a la pérdida auditiva.



**ATENCIÓN:** Cuando no esté en uso, guarde la herramienta apoyada en un costado sobre una superficie estable, donde no interrumpa el paso o provoque una caída. Algunas herramientas pueden colocarse paradas, pero pueden caerse fácilmente.

- **Los orificios de ventilación suelen cubrir piezas en movimiento, por lo que también se deben evitar.** Las piezas en movimiento pueden atrapar prendas de vestir sueltas, joyas o el cabello largo.

La etiqueta de su herramienta puede incluir los siguientes símbolos. A continuación se indican los símbolos y sus definiciones:

V .....	voltios	~ or AC.....	corriente alterna
Hz .....	hertz	⎓ or AC/DC....	corriente alterna o directa
min .....	minutos	☐ .....	Construcción de Clase II (doble aislamiento)
— — — or DC.....	direct current	n <sub>0</sub> .....	velocidad sin carga
Ⓜ .....	Construcción de Clase I (tierra)	IPXX .....	símbolo IP
... /min.....	por minuto	n .....	velocidad nominal
BPM .....	golpes por minuto	⊕ .....	terminal de conexión a tierra
IPM .....	impactos por minuto	⚠ .....	símbolo de advertencia de seguridad
RPM .....	revoluciones por minuto	☠ .....	radiación visible
sfpm .....	pies de superficie por minuto	☼ .....	protección respiratoria
SPM .....	pasadas por minuto	👁 .....	protección ocular
OPM.....	oscilaciones por minuto	👂 .....	protección auditiva
A .....	amperios	📖 .....	lea toda la documentación
W .....	watios		

## SPECIFICATIONS

Cuerpo de la herramienta	Aluminio fundido de precisión
Longitud de sujetadores	Debe usar sujetadores directos de 13 mm (1/2") a 38 mm (1-1/2") de longitud total.
Longitud de la herramienta	387 mm (15-1/4")
Tipo de carga	Calibre corto .27 (6,8/11) en una tira de seguridad de 10 cargas.
Nivel de potencia	Café (2), Verde (3), Amarillo (4), Rojo (5)
Tipo de sujetadores	Sujetadores de accionamiento directo 0,300" Sujetadores de accionamiento directo de cabeza de 8 mm Sujetadores de impulso de punta balística Pernos roscados de 1/4"-20
Peso (sin pasador/cargas)	1,92 kg (4,25 lbs)

## Uso Debido

Su herramienta de sujeción superior accionada por pólvora de Francotirador 52051 es una herramienta de calibre .27 semi-ajustable de baja velocidad que se puede usar para instalar sujetadores de cabezal de .300", sujetadores de cabezal de 8 mm y pernos roscados de 1/4" -20, hasta 38 mm (1-1/2") de longitud total.

La 52051 está diseñada para aplicaciones de sujeción superiores en concreto, ciertos materiales de mampostería y acero A 36. Se debe utilizar con una poste de francotirador DEWALT.

**NO** use en condiciones húmedas ni en presencia de líquidos o gases inflamables.

**NO** permita que los niños toquen la herramienta. Si el operador no tiene experiencia operando esta herramienta, su uso deberá ser supervisado.

## OPERACIÓN



**ADVERTENCIA:** Para reducir el riesgo de lesiones personales, apague la unidad antes de realizar cualquier ajuste o retirar/instalar conexiones o accesorios. Una activación de arranque accidental puede causar lesiones.



**ATENCIÓN:** Asegúrese de leer y comprender todas las precauciones de seguridad y capacitación en este manual antes de intentar operar la herramienta. Verifique que la herramienta no esté cargada, que el pistón se mueva libremente dentro del barril y que no haya objetos extraños o sujetadores en el barril. Realice la prueba de función diaria antes de usar la herramienta.

La herramienta superior de francotirador DEWALT siempre debe usarse con una poste de francotirador DEWALT.

## Funcionamiento del Sujetador

Antes de aprender los procedimientos de operación seguros para esta herramienta, es importante entender cómo funciona un sujetador accionado por pólvora. Se considera que un sujetador accionado por pólvora es un tipo de sujetador de inserción o inserción forzada debido a que es impulsado directamente al material de base. La acción de inserción provoca que se apliquen tremendas fuerzas al sujetador. Los sujetadores DEWALT activados por pólvora están especialmente diseñados y fabricados para resistir las fuerzas impuestas durante la operación de inserción. Sólo se deben usar los sujetadores fabricados o suministrados por DEWALT en esta herramienta.

## Material Base Adecuado



**ADVERTENCIA:** El incumplimiento de las advertencias e instrucciones puede ocasionar lesiones graves o la muerte al operador de la herramienta y/o a los transeúntes.

Los sujetadores accionados por pólvora se pueden usar con éxito en concreto, ciertos materiales de mampostería y acero A 36, pero algunos materiales no son adecuados. Nunca adivine cuando sujete en materiales base. Los sujetadores nunca se deben disparar a materiales duros o quebradizos, como hierro fundido, azulejos, vidrio o rocas. Estos materiales pueden romperse fácilmente, lo que puede ocasionar un posible peligro para la seguridad. Además, los materiales base blancos tales como paneles de yeso, yeso o madera no son adecuados ya que el sujetador puede penetrar el material y sobresalir por el lado opuesto.

## Prueba de Perforación Central (Fig. B–D)

Siempre se debe realizar una prueba de perforación central para determinar la idoneidad del material base para una fijación accionada por pólvora. Esta prueba es relativamente simple y puede ayudar a asegurar una fijación segura y exitosa. Asegúrese de usar la protección para los ojos adecuada cuando realice esta prueba. Para comenzar, seleccione el sujetador que se utilizará para el trabajo. Luego, coloque la punta del sujetador contra el material base propuesto. Golpee el sujetador con un solo golpe de martillo, luego revise el punto. Si la punta del sujetador no está desafilada y el material de base tiene una indentación de punta clara, es aceptable proceder con la primera instalación de prueba. No se recomienda el uso de un sistema accionado por pólvora si ocurre lo siguiente durante la prueba de perforación central:

- El punto del sujetador es romo. Esto indica que el material base es demasiado duro (Fig. B).
- El material base se agrieta o se quiebra. Esto indica que el material base es demasiado frágil (Fig. C).
- Cuando se usa un golpe de martillo promedio, el sujetador penetra fácilmente en el material base. Esto indica que el material base es demasiado suave (Fig. D).

Fig. B

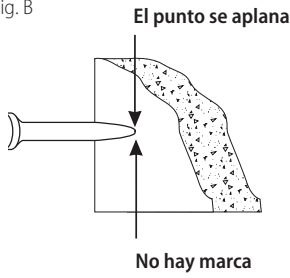


Fig. C

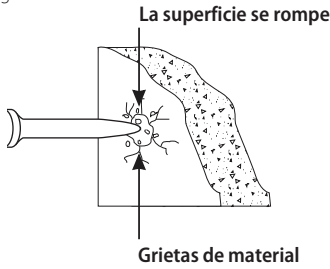


Fig. D



## Funcionamiento en Concreto

El desempeño de un sujetador accionado por pólvora cuando se instala en materiales base de concreto o mampostería se basa en los siguientes factores:

- Resistencia del material base
- Dureza y concentración del agregado
- Diámetro del vástago del sujetador
- Profundidad de incrustación en el material base
- Espacio entre sujetadores y distancia al borde

Además de estos factores, los accesorios de la herramienta de instalación, como una barra de tope que reduce la tendencia de la superficie de concreto a romperse durante la acción de accionamiento, pueden aumentar el desempeño del sujetador.

Cuando un sujetador accionado por pólvora se introduce al concreto, desplaza el volumen de concreto alrededor del área incrustada del vástago del sujetador. Cuando esto ocurre, el concreto que rodea directamente el sujetador se comprime y, a su vez, se presiona contra el vástago del sujetador. Además, la acción de accionamiento genera calor que hace que las partículas dentro del concreto se fusionen con el vástago del sujetador. Esta combinación de compresión y fusión mantiene el sujetador en el material

base de concreto. Una acción similar ocurre cuando se sujeta a mampostería de bloque.

En general, el desempeño del sujetador en una determinada resistencia del concreto aumentará con mayores profundidades de empotramiento en un cierto rango. Según el estilo del sujetador y la resistencia del material base, las profundidades de empotramiento van desde 16 mm (5/8") a 38 mm (1-1/2"). Para profundidades superiores a este rango, existe la posibilidad de que se doble el sujetador o se doble como un anzuelo, lo que puede disminuir la capacidad de carga esperada y crear un riesgo para la seguridad.

Durante la acción de inserción, puede producirse un espaciado de la superficie localizado del concreto. Normalmente, éste es un efecto de superficie que no afecta el desempeño del sujetador. Sin embargo, puede plantear un problema estético para aplicaciones expuestas en las que no se utiliza un accesorio. En casos como este, se pueden usar dos métodos para mejorar la apariencia de la fijación. Un adaptador de tope de detención montado en la herramienta accionada por pólvora puede ayudar a reducir el desprendimiento de la superficie. Otro método utilizado es introducir el sujetador a través de una arandela de acero para mejorar la apariencia de la aplicación.

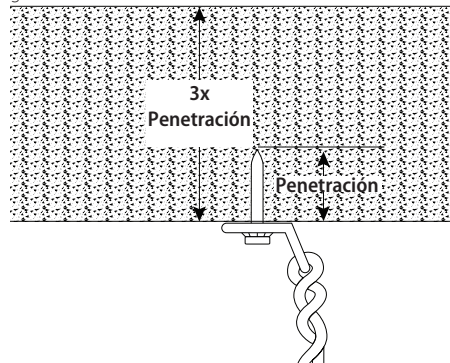
## Requisitos de Instalación de Sujetadores

Es importante comprender los requisitos mínimos requeridos del grosor del material base junto con los requisitos mínimos de espaciado y distancia entre los bordes. El incumplimiento de estos requisitos puede resultar en una fijación incorrecta y crear un riesgo de seguridad.

### Espesor del Material Base (Fig. E)

El material base de concreto debe ser al menos tres veces más grueso que la penetración de la incrustación del sujetador. Si el concreto es demasiado delgado, las fuerzas de compresión que se forman en el punto de fijación pueden hacer que la cara libre del concreto se desprenda. Esto puede crear una condición peligrosa debido a que el concreto y/o el sujetador pueden volar y también resulta en una reducción de la fuerza de sujeción del sujetador. Para aplicaciones en el revestimiento frontal del bloque de mampostería de concreto, seleccione una longitud de sujetador que no exceda el grosor de la cubierta frontal.

Fig. E



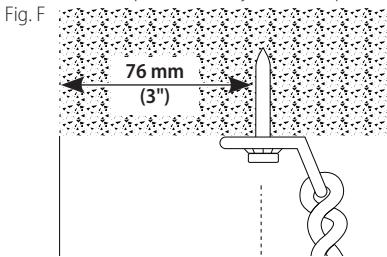
## Guía de Penetración de Sujetadores

La siguiente tabla enumera las profundidades típicas de empotramiento o penetración que se esperan en los materiales básicos enumerados. La penetración variará según la densidad del material. Esta tabla debe usarse como una guía ya que la consistencia de estos materiales varía. En caso de duda, se debe realizar una prueba de desempeño en el lugar de trabajo.

Densidad	Material Base Típico	Penetración
Mampostería suave	Bloque de concreto	25,5 mm–33 mm (1"–1-1/4")
Concreto promedio	Concreto vertido	19 mm–25,5 mm (3/4"–1")
Concreto denso	Concreto pretensado/ prefabricado	16 mm–19 mm (5/8"–3/4")

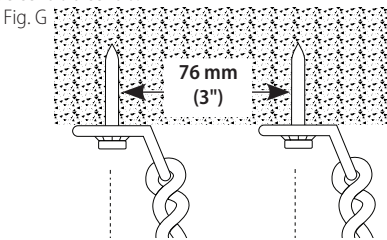
### Distancia del Borde (Fig. F)

No lo apriete a menos de 76 mm (3") del borde del concreto. Si el concreto se agrieta, el sujetador puede no sostenerse. Se pueden permitir distancias de borde más cercanas para aplicaciones tales como placas de umbral si se han llevado a cabo pruebas de sujetadores específicos.



### Espaciado (Fig. G)

Colocar los sujetadores demasiado juntos en concreto o mampostería puede causar agrietamiento. La distancia mínima recomendada entre los sujetadores es de 76 mm (3") de centro a centro.



### Selección de Longitud del Sujetador en Concreto

Para aplicaciones permanentes que usan sujetadores en concreto, primero determine el espesor del accesorio a sujetar. A esto, agregue la incrustación o penetración requerida en el material base. Esta será la longitud del vástago del sujetador requerida.

Para las aplicaciones en la cubierta frontal del bloque de mampostería, seleccione una longitud de sujetador que no exceda el espesor de la cubierta frontal.

Para aplicaciones removibles con pernos roscados, la longitud del vástago requerida es igual a la profundidad de empotramiento requerida. Para determinar la longitud mínima de rosca, agregue el espesor del accesorio y el espesor de la tuerca/arandela. El espesor de la tuerca y la arandela es igual al diámetro nominal de la rosca. No apriete demasiado las partes roscadas. Los valores máximos de apriete se detallan en la tabla a continuación. Se recomienda el uso de un ajustador de tuercas para reducir la posibilidad de apretar demasiado los sujetadores. Para aplicaciones críticas, realice una prueba de sitio de trabajo.

Par máximo para perno de 1/4" (pies-lb)	2
Par máximo para perno de 3/8" (pies-lb)	4

### Funcionamiento en Acero (Fig. P)

El rendimiento de carga de un sujetador accionado por pólvora cuando se instala en materiales base de acero se basa en los siguientes factores:

- Espesor del acero
- Resistencia a la tensión del acero
- Diámetro del vástago del sujetador
- Profundidad de penetración de puntos a través del acero
- Espacio entre sujetadores y distancia al borde.

Cuando un sujetador accionado por pólvora se clava en acero, desplaza el acero lateralmente 360° alrededor del vástago del sujetador. Como el acero es un material elástico, presiona hacia atrás contra el vástago del sujetador para mantenerlo en su lugar.

A medida que aumenta el diámetro del vástago del sujetador, la capacidad de carga obtenida generalmente aumentará siempre que el espesor del acero sea suficiente para aceptar el sujetador. Para aumentar aún más el desempeño del sujetador en acero, algunos sujetadores tienen un mango estriado que permite que el acero forme un bloqueo de llave en las ranuras para proporcionar capacidades superiores a las obtenidas con un mango liso. Para un desempeño óptimo, el punto de fijación debe penetrar completamente en el acero. Normalmente, se permite un mínimo de 6,5 mm (1/4") para la longitud del punto. Se puede esperar un aumento en el desempeño hasta que el sujetador ya no penetre completamente a través del acero. En este punto, las propiedades elásticas del acero provocan que se desarrolle una fuerza de compresión en un ángulo contra el punto de fijación que reduce la capacidad de carga. En materiales de base de acero más gruesos, se pueden obtener capacidades de carga adecuadas para aplicaciones en las que la punta del sujetador no penetra completamente en el acero. Se recomiendan pruebas de desempeño en el lugar de trabajo. Los sujetadores no deben usarse en áreas que hayan sido soldadas o cortadas con una antorcha ya que estos procedimientos pueden haber causado el endurecimiento

## ESPAÑOL

local del acero. Se debe evitar introducir sobre el sujetador ya que el rebote creado puede reducir la capacidad de carga o causar daños al sujetador. Cuando se sujeta a miembros de acero largos no soportados, puede ser necesario proporcionar soporte en el área de la sujeción para evitar la acción del resorte que puede causar una penetración inconsistente y una reducción en la capacidad de carga.

### Instalación en Acero

Las siguientes pautas se basan en la instalación de un sujetador en acero estructural ASTM A 36 con el punto que penetra completamente en el miembro de acero. El espesor recomendado del material de acero varía desde un mínimo de 3 mm (1/8") hasta un máximo de 9,5 mm (3/8"). Para uso en acero estructural de mayor resistencia, aplicaciones donde el punto no penetra en el miembro de acero, o un espesor de acero mayor a 9,5 mm (3/8"), se recomiendan pruebas de desempeño en el lugar de trabajo.

### Espesor de Material Base

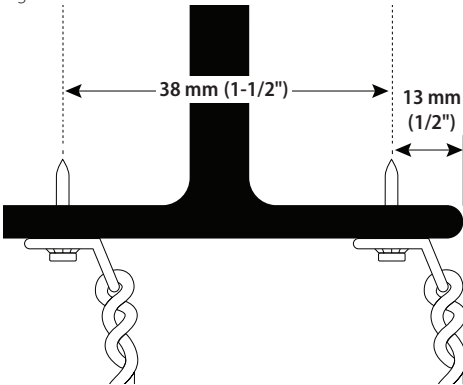
Los materiales base de acero deben tener un espesor mínimo de 3 mm (1/8").

### Distancia del Borde (Fig. H)

Para instalaciones en acero A 36, 13 mm (1/2") es la distancia mínima recomendada.

### Espaciado (Fig. H)

La distancia mínima recomendada entre las fijaciones es de 38 mm (1-1/2") de centro a centro para instalaciones en acero ASTM A 36.  
Fig. H



### Selección de Longitud de Sujetador en Acero

Para aplicaciones permanentes al usar sujetadores en acero, primero determine el espesor del accesorio a sujetar. Para esto, agregue el espesor del material base de acero más un mínimo de 6,5 mm (1/4") para permitir la penetración adecuada de los puntos. Esta será la longitud mínima requerida del vástago del sujetador. No seleccione una longitud de sujetador más larga que la requerida para la aplicación. Una espiga demasiado larga puede bruñir o pulir el orificio creado en el acero, lo que resulta en una reducción en la capacidad de carga.

Para aplicaciones removibles con pasadores roscados, la longitud requerida del vástago es igual al espesor del material base de acero más un mínimo de 6,5 mm (1/4") para permitir una penetración puntual adecuada. Esta será la longitud mínima requerida del vástago del sujetador. No seleccione una longitud de vástago más larga que la requerida para la aplicación. Una espiga demasiado larga puede bruñir o pulir el orificio creado en el acero, lo que resulta en una reducción en la capacidad de carga. Para determinar la longitud mínima de rosca, agregue el espesor del accesorio y el espesor de la tuerca/arandela. El espesor de la tuerca y la arandela es igual al diámetro nominal de la rosca.

No apriete en exceso los pasadores roscados. Se recomienda el uso de un ajustador de tuercas para reducir la posibilidad de apretar demasiado los sujetadores. Para aplicaciones críticas, realice una prueba de sitio de trabajo.

### Prueba de Función Diaria

**⚠ ADVERTENCIA:** Esta prueba debe realizarse sin sujetadores o carga de pólvora en la herramienta.

Pruebe la herramienta superior varias veces presionándola completamente sobre una superficie dura. Debería escuchar un clic audible a medida que se libera el percutor. Suelte la herramienta y asegúrese que el ensamble del barril se haya abierto a la posición inicial. Luego, coloque la herramienta, apuntando hacia abajo, sobre una superficie dura y firme, completamente, presione la herramienta. No debe escuchar la liberación del percutor. Si se libera el percutor, deje de usar la herramienta. No intente utilizar la herramienta hasta que se hayan hecho las reparaciones adecuadas.

### Carga de la Herramienta (Fig. I)

**⚠ ADVERTENCIA:** Siempre cargue el sujetador antes de insertar o avanzar la tira de carga de pólvora para evitar lesiones al operador o personas en caso de una descarga accidental.

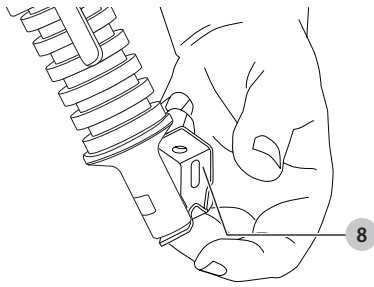
**⚠ ADVERTENCIA:** Cargue SÓLO un sujetador a la vez. Siempre verifique para asegurarse de que no haya un sujetador ya cargado antes de cargar la herramienta.

1. Asegúrese que no haya cargas de pólvora en la herramienta.
2. Coloque el sujetador, señale, en el extremo de la punta de disparo sencillo hasta que la punta acanalada quede dentro. No use una fuerza excesiva al insertar el sujetador. Si se requiere una fuerza excesiva, deténgase y determine por qué no se puede insertar el sujetador. Corrija el problema antes de continuar.

**NOTA:** Si se está utilizando un ensamble de sujetador **8**, asegúrese que se coloque en la sección recortada del protector contra salpicaduras. No use sujetadores de más de 1-1/2" (38 mm) como se detalla en **Especificaciones**.



Fig. I



### Fijación (Fig. J–L)

**⚠️ ADVERTENCIA:** No intente cerrar la herramienta ejerciendo fuerza en la parte delantera del barril. Nunca coloque los dedos o las manos sobre el extremo del cañón de la herramienta. Las manos nunca deben colocarse frente al cañón de la herramienta o el barril. En caso de una descarga accidental, el pistón y/o el sujetador pueden causar lesiones graves a la mano del operador.

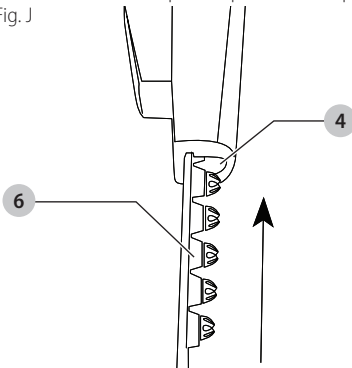
**⚠️ ADVERTENCIA:** Siempre use una protección de separación 7 siempre que sea posible. Esto limitará la posibilidad de rebote de los sujetadores, lo que podría causar lesiones graves o la muerte al operador o a los transeúntes.

**⚠️ ADVERTENCIA:** Siempre apunte la guía de la franja de pólvora 4 hacia el lado opuesto de usted y los transeúntes cuando active la herramienta.

**⚠️ ADVERTENCIA:** Use sólo los postes de seguridad DEWALT para una operación segura y adecuada.

1. Siempre apunte la herramienta en una dirección segura lejos de los transeúntes y el operador.
2. Inserte un ensamble de sujetador en el cañón como se describe en **Carga de la herramienta**.
3. Inserte una tira de carga 6 en la guía de la tira de pólvora 4 en la parte inferior de la manija 3 y empujela hasta que su dedo esté en contacto firme con el hueco de la manija. Nunca intente insertar una tira de carga en la herramienta desde la parte superior del receptor.

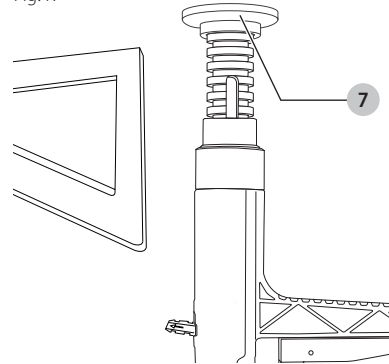
Fig. J



4. Levante con cuidado la herramienta hasta el techo y presione el ensamble del barril donde se realizará la fijación. Sostenga la herramienta perpendicular y

empuje con fuerza hacia arriba la manija del poste para comprimir el resorte del percutor y libere el protector para disparar la herramienta. Si la herramienta no se dispara, continúe manteniéndola en su lugar durante al menos 30 segundos y luego siga el procedimiento de fallo de disparo. Consulte **Falla de la herramienta**. Siempre apunte la herramienta en una dirección segura y tenga cuidado al subirla al techo para evitar golpear objetos que podrían hacer que la herramienta se dispare.

Fig. K

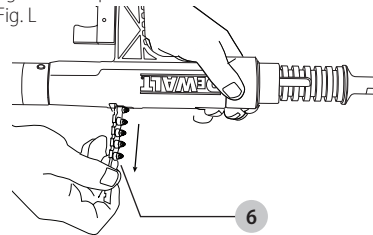


5. Baje la herramienta, manteniéndola apuntada en una dirección segura, e inserte el siguiente sujetador o ensamble.

**NOTA:** El pistón se restablece automáticamente para la siguiente fijación. Después de insertar el sujetador en el cañón, comprima la palanca de avance de la tira de carga 5 para prepararla para la siguiente fijación.

6. Después de que se hayan disparado las 10 cargas en la tira, jale la tira de carga 6 usada desde la parte superior de la herramienta. NUNCA intente jalar de una tira de carga desde la parte inferior de la herramienta.

Fig. L



7. Si está trabajando en un área donde la suciedad o los residuos pueden caer sobre la herramienta mientras realiza la fijación, revise la herramienta con frecuencia para asegurarse que el buje del cañón y la guía de la tira de carga estén limpios.

### Uso de tiras de carga parcialmente utilizadas

El diseño del 52051 es tal que la siguiente carga a ser disparada se indexa manualmente en la posición de disparo al comprimir la palanca de avance de la tira de carga 5, el disparo y la secuencia de operación de apertura de la herramienta. Si es necesario usar una tira de carga

## ESPAÑOL

parcialmente usada, el extremo de la tira que contiene las cargas vivas debe colocarse en la parte inferior de la manija de la herramienta como si fuera una tira nueva. Al contar el número de cargas no disparadas en la tira antes de insertarla y mantener el recuento a medida que se realizan los cierres, se puede determinar fácilmente cuándo se han utilizado todas las cargas.

## MANTENIMIENTO



**ADVERTENCIA:** Para reducir el riesgo de lesiones personales, apague la unidad antes de realizar cualquier ajuste o retirar/installar conexiones o accesorios. Una activación de arranque accidental puede causar lesiones.

## Limpieza



**ADVERTENCIA:** Sople la suciedad y el polvo de todos los conductos de ventilación con aire seco, al menos una vez por semana. Para reducir el riesgo de lesiones, utilice siempre protección para los ojos aprobada ANSI Z87.1 al realizar esta tarea.



**ADVERTENCIA:** Nunca utilice solventes ni otros químicos abrasivos para limpiar las piezas no metálicas de la herramienta. Estos productos químicos pueden debilitar los materiales plásticos utilizados en estas piezas. Utilice un paño humedecido sólo con agua y jabón neutro. Nunca permita que penetre líquido dentro de la herramienta ni sumerja ninguna de las piezas en un líquido.

Limpie la herramienta diariamente. Siempre asegúrese que la herramienta no esté cargada antes de realizar cualquier servicio o reparación, y siempre use gafas de seguridad al limpiar o dar servicio a la herramienta.

## Limpieza normal

Todas las partes frontales que se muestran en la sección de desensamblable deben limpiarse diariamente con un buen aceite detergente y un cepillo de alambre. Elimine toda la acumulación de suciedad y carbón y seque las piezas con un trapo limpio. Revise todas las piezas en busca de desgaste o daños antes de volver a ensamblarlas y reemplace o repare cualquier pieza desgastada o dañada.

## Limpieza completa / Mantenimiento general

La exposición intensa o constante a la suciedad y los desechos puede requerir que la herramienta se limpie más a fondo. El desmontaje completo y la limpieza de todas las piezas pueden ser necesarios para restaurar la herramienta a su funcionamiento normal. El mantenimiento general se debe realizar cada seis meses o más a menudo si la herramienta está sujeta a un uso intensivo. Póngase en contacto con su distribuidor autorizado de DEWALT para obtener ayuda.

## Desensamblable de la herramienta (Fig. M–P)

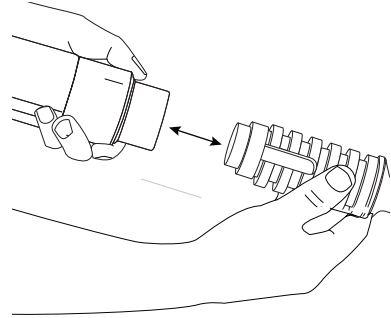


**ADVERTENCIA:** Siempre realice la prueba de operación diaria antes de usar la herramienta después de la limpieza o el servicio.

1. Destornille y quite la tuerca de retención del barril. Maneje la herramienta con cuidado después de desatornillar el collar para evitar que se caigan los dos retenes del tope.

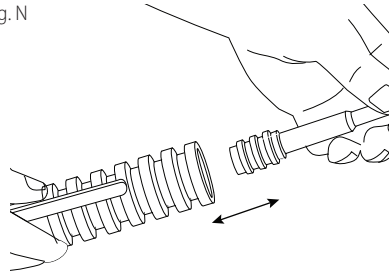
2. Empuje la pieza de punta hacia adelante, sostenga y retire los dos retenes de tope de las ranuras a ambos lados del alojamiento de la herramienta.

Fig. M



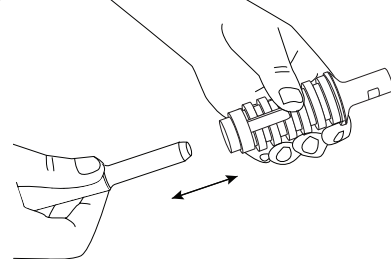
3. Deslice el ensamble de la guía del pistón y el resorte de retorno fuera del cuerpo de la herramienta. Observe la posición de las ranuras en los lados del barril, ya que el retorno del tope de los trinquetes se inserta en las ranuras del barril a través de la caja de la herramienta en el reensamble.

Fig. N



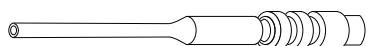
4. Desensrosque el ensamble del buje del cañón del barril. Si esto es difícil de hacer con la mano, sujete el barril y use una llave en las partes planas del ensamble de la pieza de punta para aflojarlo y extraerlo por completo.

Fig. O



5. Retire el pistón del barril.

Fig. P



6. Retire el tope de hule y el soporte del tope de hule del ensamble del pistón. Revise todas las partes respecto a daños y limpie o reemplace según sea necesario. Use solventes y cepillos de limpieza para eliminar la suciedad y los residuos de polvo. Limpie todas las piezas en seco antes de volver a ensamblar. Use gafas de seguridad cuando limpie partes de herramientas.
7. Verifique que la punta del pistón no esté dañada y pula. La punta del pistón debe estar a 90° del vástago. El pulido debe ser realizado únicamente por personal calificado. La longitud total mínima del pistón no debe ser inferior a 124 mm (4-7/8") de largo. Cuando tenga menos de 124 mm (4-7/8") de largo, se debe reemplazar el pistón.
8. Vuelva a ensamblar la herramienta en el orden inverso al desensamble. Cuando deslice la guía del pistón y el resorte dentro del alojamiento, alinee la ranura en el cilindro con la ranura en el alojamiento de la herramienta e instale ambos retenes de tope y la tuerca de revestimiento de acero.

## Accesorios



**ADVERTENCIA:** Debido a que no se han probado con este producto otros accesorios que no sean los que ofrece DeWALT, el uso de dichos accesorios con esta herramienta podría ser peligroso. Para reducir el riesgo de lesiones, con este producto deben usarse sólo los accesorios recomendados por DeWALT.

Los accesorios que se recomiendan para utilizar con la herramienta están disponibles a un costo adicional en su distribuidor local o en un centro de mantenimiento autorizado. Si necesita ayuda para localizar algún accesorio, póngase en contacto con DEWALT Industrial Tool Co., 701 East Joppa Road, Towson, MD 21286, llame al 1-800-4-DEWALT (1-800-433-9258), o visite nuestro sitio web: [www.dewalt.com](http://www.dewalt.com).

52053 Herramienta de poste de 6' para francotirador

52061 Herramienta de poste de 8' para francotirador

## Reparaciones



**ADVERTENCIA:** Para asegurar la SEGURIDAD y la CONFIABILIDAD del producto, las reparaciones, el mantenimiento y los ajustes (inclusive la inspección y el cambio de las escobillas, cuando proceda) deben ser realizados en un centro de mantenimiento en la fábrica u en un centro de mantenimiento autorizado. Utilice siempre piezas de repuesto idénticas.

**Para reparación y servicio de sus herramientas eléctricas, favor de dirigirse al Centro de Servicio más cercano**

### CULIACAN, SIN

Bldv. Emiliano Zapata 5400-1 Poniente Col. (667) 717 89 99 San Rafael

### GUADALAJARA, JAL

Av. La Paz #1779 - Col. Americana Sector Juárez (33) 3825 6978

### MEXICO, D.F.

Eje Central Lázaro Cárdenas No. 18 - Local D, Col. Obrera (55) 5588 9377

### MERIDA, YUC

Calle 63 #459-A - Col. Centro (999) 928 5038

### MONTERREY, N.L.

Av. Francisco I. Madero 831 Poniente - Col. Centro (818) 375 23 13

### PUEBLA, PUE

17 Norte #205 - Col. Centro (222) 246 3714

### QUERETARO, QRO

Av. San Roque 274 - Col. San Gregorio (442) 2 17 63 14

### SAN LUIS POTOSI, SLP

Av. Universidad 1525 - Col. San Luis (444) 814 2383

### TORREON, COAH

Bldv. Independencia, 96 Pte. - Col. Centro (871) 716 5265

### VERACRUZ, VER

Prolongación Díaz Mirón #4280 - Col. Remes (229) 921 7016

### VILLAHERMOSA, TAB

Constitución 516-A - Col. Centro (993) 312 5111

#### PARA OTRAS LOCALIDADES:

**Si se encuentra en México, por favor llame al (55) 5326 7100**

**Si se encuentra en U.S., por favor llame al 1-800-4-DEWALT (1-800-433-9258)**

## Póliza de Garantía

### IDENTIFICACIÓN DEL PRODUCTO:

Sello o firma del Distribuidor.

Nombre del producto: \_\_\_\_\_

Mod./Cat.: \_\_\_\_\_

Marca: \_\_\_\_\_

Núm. de serie: \_\_\_\_\_

(Datos para ser llenados por el distribuidor)

Fecha de compra y/o entrega del producto: \_\_\_\_\_

Nombre y domicilio del distribuidor donde se adquirió el producto: \_\_\_\_\_

Este producto está garantizado por un año a partir de la fecha de entrega, contra cualquier defecto en su funcionamiento, así como en materiales y mano de obra empleados para su fabricación. Nuestra garantía incluye la reparación o reposición del producto y/o componentes sin cargo alguno para el cliente, incluyendo mano de obra, así como los gastos de transportación razonablemente erogados derivados del cumplimiento de este certificado.

## ESPAÑOL

Para hacer efectiva esta garantía deberá presentar su herramienta y esta póliza sellada por el establecimiento comercial donde se adquirió el producto, de no contar con ésta, bastará la factura de compra.

### Excepciones

Esta garantía no será válida en los siguientes casos:

- Cuando el producto se hubiese utilizado en condiciones distintas a las normales;
- Cuando el producto no hubiese sido operado de acuerdo con el instructivo de uso que se acompaña;
- Cuando el producto hubiese sido alterado o reparado por personas distintas a las enlistadas al final de este certificado.

Anexo encontrará una relación de sucursales de servicio de fábrica, centros de servicio autorizados y franquiciados en la República Mexicana, donde podrá hacer efectiva su garantía y adquirir partes, refacciones y accesorios originales.

Solamente para propósito de México:

Importado por: DEWALT. Tool Co. S.A. de C.V.  
Avenida Antonio Dovali Jaime, # 70 Torre B Piso 9  
Colonia La Fe, Santa Fé  
Código Postal : 01210  
Delegación Alvaro Obregón  
México D.F.  
Tel. (52) 555-326-7100  
R.F.C.: BDE810626-1W7

## Registro en Línea

Gracias por su compra. Registre su producto ahora para:

- **SERVICIO EN GARANTÍA:** Si completa esta tarjeta, podrá obtener un servicio en garantía más eficiente, en caso de que exista un problema con su producto.
- **CONFIRMACIÓN DE PROPIEDAD:** En caso de una pérdida que cubra el seguro, como un incendio, una inundación o un robo, el registro de propiedad servirá como comprobante de compra.
- **PARA SU SEGURIDAD:** Si registra el producto, podremos comunicarnos con usted en el caso improbable que se deba enviar una notificación de seguridad conforme a la Federal Consumer Safety Act (Ley Federal de Seguridad de Productos para el Consumidor).

Registro en línea en [www.dewalt.com/register](http://www.dewalt.com/register).

## Garantía Limitada por Tres Años

DEWALT reparará o reemplazará, sin cargo, cualquier defecto debido a materiales o mano de obra defectuosos por tres años desde la fecha de compra. Esta garantía no cubre falla de partes debido al desgaste normal o abuso de la herramienta. Para detalles adicionales de la cobertura de la garantía e información de reparación de garantía, visite [www.dewalt.com](http://www.dewalt.com) o llame al 1-800-4-DEWALT (1-800-433-9258). Esta garantía no se aplica a accesorios o daño causado cuando otros hayan realizado o intentado reparaciones. ESTA GARANTÍA LIMITADA SE OTORGA EN LUGAR DE TODAS LAS DEMÁS, INCLUIDA LA GARANTÍA IMPLÍCITA DE COMERCIABILIDAD

E IDONEIDAD PARA UN PROPÓSITO EN PARTICULAR, Y EXCLUYE TODOS LOS DAÑOS INCIDENTALES O EN CONSECUENCIA. Algunos estados no permiten limitaciones sobre la duración de una garantía implícita o la exclusión o limitación de daños incidentales o en consecuencia, por lo que estas limitaciones pueden no aplicarse en su caso. Esta garantía le da derechos legales específicos y puede tener otros derechos que varían en ciertos estados o provincias

### GARANTÍA DE REEMBOLSO DE SU DINERO POR 90 DÍAS

Si no está completamente satisfecho con el desempeño de su máquina herramienta o clavadora DEWALT, cualquiera sea el motivo, podrá devolverlo hasta 90 días de la fecha de compra con su recibo y obtener el reembolso completo de su dinero – sin necesidad de responder a ninguna pregunta.

**AMÉRICA LATINA:** Esta garantía no se aplica a los productos que se venden en América Latina. Para los productos que se venden en América Latina, debe consultar la información de la garantía específica del país que viene en el empaque, llamar a la compañía local o visitar el sitio Web a fin de obtener esa información.

### REEMPLAZO GRATUITO DE LAS ETIQUETAS DE

**ADVERTENCIAS:** Si sus etiquetas de advertencia se vuelven ilegibles o faltan, llame al 1-800-4-DEWALT (1-800-433-9258) para que se le reemplacen gratuitamente.

## SOLUCIÓN DE PROBLEMAS

### ASEGÚRESE DE SEGUIR LAS REGLAS DE SEGURIDAD E INSTRUCCIONES

Para ayuda con su producto, visite nuestra página de Internet en [www.dewalt.com](http://www.dewalt.com) para una lista de centros de servicio, o llame a DeWALT al 1-800-4-DeWALT (1-800-433-9258).

PROBLEMA	CAUSA POSIBLE	SOLUCIÓN
Penetración excesiva de sujetador.	Nivel de potencia demasiado alto / sujetadores demasiado corto.	Use un número de nivel de carga de pólvora más bajo o un sujetadores más largo.
	Material base suave.	Verifique la sección de idoneidad del material base.
La herramienta no dispara.	Herramienta no presionada por completo.	Comprima completamente la herramienta antes de jalar del gatillo.
	Percutor dañado.	Póngase en contacto con un centro de servicio autorizado de DeWALT para que revisen y/o dé servicio a la herramienta. Reemplace las partes dañadas.
La herramienta no se presiona por completo.	Las partes dañadas del percutor, el eyector, etc. Partes ensambladas incorrectamente.	Verifique que las partes no estén dañadas o ensambladas de forma incorrecta.
Reducción de potencia o penetración inconsistente del sujetador.	El pistón no vuelve completamente debido al material base blando.	Vuelva a ensamblar el pistón y la punta. Evite materiales blandos como madera, etc.
	Pistón o tope desgastados o dañados.	Reemplace el pistón o el tope.
	Pistón dañado o doblado.	Retire y reemplace el pistón.
La tira de carga no se puede insertar en la herramienta.	Carga incorrecta.	Inserte la tira desde la parte inferior de la manija de la herramienta.
	Tira de calibre incorrecto.	Sólo use tiras cortas de carga de seguridad calibre .27.
La tira de carga no avanza.	Guía desgastada de la palanca de avance.	Reemplace la guía de palanca de avance. Esto debe ser realizado por personas calificadas.
La carga se desconecta de la franja de carga.	Velocidad de fijación excesiva.	Deje de usar la herramienta de inmediato y póngase en contacto con un centro de servicio autorizado de DeWALT para que revisen y/o dé servicio a la herramienta. Retire la tira de carga de polvo y deje que la herramienta se enfríe.
	La franja de carga no se puede retirar. Acumulación de residuo de combustión.	Póngase en contacto con un centro de servicio autorizado de DeWALT para que revisen y/o dé servicio a la herramienta.
La carga no se dispara cuando la herramienta esté completamente presionada y se jala el gatillo.	Las temperaturas pueden llegar a ser demasiado altas debido a la frecuencia de uso.	Deje que la herramienta se enfríe. Si el problema persiste, póngase en contacto con un centro de servicio autorizado de DeWALT para que revisen y/o dé servicio a la herramienta.
	La carga ya está disparada.	Active la herramienta.
	Falla de disparo de carga.	Siga el procedimiento de seguridad.
	Pasador de disparo roto.	Reemplace la tuerca del percutor. Esto debe ser realizado por personas calificadas.
La herramienta no se puede abrir o activar	La tuerca del percutor está rota o falta.	Reemplace la tuerca del percutor. Esta tuerca de percutor debe ser realizada por personas calificadas.
	Falta de limpieza adecuada.	Limpie la herramienta minuciosamente.
	Pistón dañado o doblado.	Retire y reemplace el pistón.
Pistón atorado en la posición delantera.	Partes rotas o dañadas.	Etiquete la herramienta con la advertencia "Defectuosa - No Usar" colocada en un contenedor asegurado y póngase en contacto con su representante de DeWALT autorizado para servicio.
	El pistón se sobrecargó y está atascado en el barril.	Toque el pistón contra una superficie dura. Vuelva a armar y ajuste la potencia/carga para evitar que el sujetador penetre demasiado. Evite el material base blando.
Tira de carga de polvo se derrite	Las temperaturas pueden llegar a ser demasiado altas debido a la frecuencia de uso.	Disminuya la frecuencia de uso. Retire la tira de carga de polvo y deje que la herramienta se enfríe.
	Herramienta comprimida y mantenida por mucho tiempo antes de disparar.	Comprima la herramienta por menos tiempo antes de disparar. Retire la tira de carga de polvo y deje que la herramienta se enfríe.

## EXAMEN DE OPERADOR CALIFICADO DE HERRAMIENTA

Nombre del operador \_\_\_\_\_ Fecha \_\_\_\_\_

Dirección de casa \_\_\_\_\_

Fecha de nacimiento \_\_\_\_\_ Edad \_\_\_\_\_

Nombre de empresa \_\_\_\_\_

Dirección de la empresa \_\_\_\_\_

Teléfono de la empresa \_\_\_\_\_

Firma \_\_\_\_\_ Fecha \_\_\_\_\_

**Marque la respuesta correcta.**

1. Es necesario leer el Manual de instrucciones antes de operar una herramienta DEWALT de baja velocidad.
  - Verdadero
  - Falso
2. Cuando se sujeta al concreto, el material base debe ser mayor que la penetración de la espiga al menos:
  - 1 vez
  - 2 veces
  - 3 veces
3. Al operar una herramienta accionada por pólvora, su mano nunca debe colocarse:
  - Alrededor del cuerpo de la herramienta
  - Al frente del cañón de la herramienta
  - Sobre la manija de la herramienta
4. Para determinar la idoneidad de un material base, use el sujetador como perforación central.
 

Si el sujetador está embotado, no lo apriete; el material es demasiado:

  - Suave
  - Duro
  - Quebradizo

Si el sujetador penetra fácilmente, no lo apriete; el material es demasiado:

  - Suave
  - Duro
  - Quebradizo

Si el material se agrieta o se rompe, no lo sujete; el material es demasiado::

  - Suave
  - Duro
  - Quebradizo

5. Las aplicaciones inseguras para herramientas accionadas por pólvora pueden ser causadas, ¿por cuál de las siguientes?
  - Un material base suave
  - Carga de pólvora incorrecta
  - Sujeción demasiado cerca de un borde no soportado
  - Una herramienta con falla
  - Sujeción en una área dispersa
  - Sujeción a través de un orificio pre-existente
  - Todos los anteriores
- 6.Cuál de los siguientes materiales de construcción no es adecuado como material de recepción (material base) para los sujetadores accionados por pólvora?
  - Losa de roca
  - Madera
  - Fibra de vidrio
  - Lámina
  - Todos los anteriores
7. Al considerar la seguridad de una aplicación en particular, el operador debe pensar en:
  - El material base
  - El nivel de potencia de la carga de pólvora
  - La seguridad del operador
  - La seguridad de los transeúntes y compañeros trabajadores
  - Todos los anteriores
8. El procedimiento de carga adecuado es: insertar el sujetador primero, cargar la pólvora en segundo lugar. El sujetador siempre debe colocarse en la herramienta antes de la carga.
  - Verdadero
  - Falso
- 9.Cuál de los siguientes materiales generalmente es adecuado para las sujeciones accionadas por pólvora?
  - Concreto vertido
  - Azulejo hueco
  - Acero endurecido
  - Ladrillo vidriado
10. En concreto, un sujetador no debe introducirse más cerca de un borde no soportado de:
  - 13 mm (1/2")
  - 38 mm (1-1/2")
  - 76 mm (3")
11. El anzuelo es una condición que puede ocurrir cuando un sujetador accionado por pólvora golpea una pieza de agregado duro o concreto muy duro, se dobla y sale de la superficie de trabajo. Un anzuelo puede causar una lesión grave o la muerte.
  - Verdadero
  - Falso
12. Poner una mano sobre el buje del cañón de una herramienta cargada puede provocar lesiones graves por la sobremarcha del pistón o un sujetador que salga si la herramienta se descarga accidentalmente.
  - Verdadero
  - Falso

13. La sobremarcha del pistón es causada por la sobrecarga de la herramienta o al descargar la herramienta contra una superficie blanda.
- Verdadero  
 Falso
- 
14. Las herramientas que no funcionan correctamente no se pueden usar y deben retirarse del servicio de inmediato.
- Verdadero  
 Falso
- 
15. Después de realizar una prueba de perforación central, la mejor manera de verificar el material base es colocar varios sujetadores utilizando la carga menos potente.
- Verdadero  
 Falso
- 
16. El operador y los transeúntes no deben usar gafas de seguridad ni protección auditiva necesarias cuando se utilice la herramienta.
- Verdadero  
 Falso
- 
17. Una herramienta accionada con pólvora no se puede usar con seguridad en una atmósfera explosiva o inflamable.
- Verdadero  
 Falso
- 
18. Enumere el número de nivel de carga de polvo adecuado (1-6) al lado de cada color enumerado.
- \_\_\_ Rojo  
\_\_\_ Café  
\_\_\_ Verde  
\_\_\_ Amarillo  
\_\_\_ Gris  
\_\_\_ Morado
- 
19. The weakest power level should be used when making the first fastening.
- Verdadero  
 Falso
- 
20. El nivel de potencia más débil se debe usar al hacer la primera fijación.
- Verdadero  
 Falso
- 
21. Antes de activar la herramienta, la guía de la franja de pólvora siempre debe ver al lado opuesto de:
- Usted  
 Usted y transeúntes  
 Transeúntes
- 
22. Activar la herramienta demasiado rápido o dejar la herramienta en el estado de compresión demasiado tiempo antes de activarla guiará a que se funda la franja de pólvora o la carga se desprenda de la franja de carga:
- Verdadero  
 Falso  
 Sólo activar la herramienta demasiado rápido guiará a que la franja de pólvora se funda o la carga se desprenda de la franja de carga.

**52051**

El procedimiento adecuado si una carga de pólvora no se enciende es sostener la herramienta contra la superficie de trabajo y esperar 30 segundos, luego proceder exactamente como se indica en el Manual de instrucciones.

- Verdadero  
 Falso

Las cargas de pólvora de sujetadores DeWALT para el 52051 son cartuchos de calibre corto de fuego de calibre 0,27 en cargadores de plástico. No se puede usar ninguna otra carga de pólvora en esta herramienta.

- Verdadero  
 Falso

Los operadores nunca deben comprimir el 52051 o cualquier otra herramienta accionada por pólvora contra cualquier parte de su cuerpo.

- Verdadero  
 Falso

**ACTIVACIÓN DE LICENCIA**

Certifico que he leído y comprendido el Manual de instrucciones de funcionamiento de la herramienta 52051 y he tomado el Examen de Operador Calificado de Herramientas. Entiendo la importancia de seguir todos los procedimientos de seguridad y de que la falta de lectura, comprensión y cumplimiento de las reglas y advertencias detalladas sobre la operación segura de las herramientas accionadas por pólvora puede ocasionar lesiones graves o la muerte al operador de la herramienta o a los transeúntes. Acepto cumplir con todas las reglas y regulaciones con respecto al uso de herramientas activadas con pólvora. (Escriba con letra de molde claramente)

Número de serie en la herramienta

**Por favor envíe mi licencia de herramienta a:**

Nombre

Dirección

Ciudad

Estado

Código postal

Teléfono

Enviar examen por correo a: Tool License Coordinator  
Stanley Black & Decker  
2 Powers Lane  
Brewster, NY 10509

DEWALT Industrial Tool Co. 701 East Joppa Road, Towson, MD 21286  
Copyright © 2019

The following are trademarks for one or more DEWALT power tools: the yellow and black color scheme, the “D” shaped air intake grill, the array of pyramids on the handgrip, the kit box configuration, and the array of lozenge-shaped humps on the surface of the tool.